

| Page Title | Page Number |
|--|-------------|
| ENGINE ASSEMBLY-A4.236 ENGINE | 1 |
| SHORT ENGINE-A4.236 ENGINE | 2 |
| CYLINDER BLOCK-A4.236 ENGINE | 3 |
| CRANKSHAFT, PISTONS AND CONNECTING RODS-A4.236 ENGINE | 4 |
| CYLINDER HEAD-A4.236 ENGINE | 5 |
| ROCKER SHAFT-A4.236 ENGINE | 6 |
| TIMING GEAR AND CAMSHAFT-A4.236 ENGINE | 7 |
| BALANCER UNIT-A4.236 ENGINE | 8 |
| FUEL INJECTION EQUIPMENT-A4.236 ENGINE | 9 |
| LUBRICATING OIL SUMP-A4.236 ENGINE | 10 |
| LUBRICATING OIL FILTER AND INTEGRAL COOLER-A4.236 ENGINE | 11 |
| WATER PUMP, THERMOSTAT AND HEAT EXCHANGER-A4.236 ENGINE | 12 |
| FUEL SYSTEM AND FILTER-A4.236 ENGINE | 13 |
| AIR INDUCTION AND EXHAUST SYSTEM-A4.236 ENGINE | 14 |
| ALTERNATOR POSITIONER-A4.236 ENGINE | 15 |
| JOINTS AND GASKETS-A4.236 ENGINE | 16 |
| LUBRICATING OIL COOLER AND FILTER-A4.236 ENGINE | 17 |
| ALTERNATOR | 18 |
| ALTERNATOR-VALEO TYPE | 19 |
| ALTERNATOR-ISKRA TYPE | 20 |
| STARTER MOTOR-MARELLI TYPE | 21 |
| STARTER MOTOR-BOSCH | 22 |
| STARTER MOTOR-ISKRA TYPE | 23 |
| COOLING SYSTEM-FAN AND HOSES | 24 |
| COOLING SYSTEM-FAN AND HOSES | 25 |
| COOLING SYSTEM-RADIATOR AND BRACKET | 26 |
| COOLING SYSTEM-SHIELD FAN | 27 |
| FUEL SYSTEM | 28 |
| FUEL TANK | 29 |
| DRY AIR FILTER-DRY AIR CLEANER | 30 |
| EXHAUST SYSTEM | 31 |
| EXHAUST SYSTEM | 32 |
| THROTTLE CONTROLS | 33 |
| THROTTLE CONTROLS | 34 |
| INSTRUMENT PANEL | 35 |
| INSTRUMENT PANEL | 36 |
| BATTERY | 37 |
| ELECTRONIC HARNESS | 38 |
| ELECTRICAL WIRING-FRONT | 39 |
| ELECTRICAL WIRING-REAR | 40 |
| LIGHTING EQUIPMENT | 41 |
| LIGHTING EQUIPMENT-LIGHTS | 42 |
| CLUTCH-O.M.G. - 11 | 43 |
| CLUTCH-LUK - 11 | 44 |
| CLUTCH-O.M.G. - 12 | 45 |
| CLUTCH-LUK - 12 | 46 |
| CLUTCH PEDAL AND LINKAGE | 47 |
| LOWER CLUTCH P.T.O. | 48 |
| CENTRE AXLE HOUSING AND TRANSMISSION HOUSING | 49 |
| CENTRE AXLE HOUSING AND TRANSMISSION HOUSING | 50 |
| TRANSMISSION | 51 |
| TRANSMISSION | 52 |
| SHIFT LEVERS | 53 |
| GEAR BOX | 54 |
| REDUCER OPTION-FOR SHUTTLE VERSION ONLY. | 55 |
| GEAR BOX-FOR SHUTTLE VERSION ONLY. | 56 |
| GEAR BOX-FOR SPECIAL OPTIONS VERSION ONLY | 57 |
| REDUCER OPTION-OVERDRIVE AND SHUTTLE VERSION | 58 |
| REDUCER OPTION-OVERDRIVE AND UNDERDRIVE VERSION | 59 |
| REDUCER OPTION-OVERDRIVE AND CREEPER VERSION | 60 |
| REDUCER OPTION-UNDERDRIVE AND SHUTTLE VERSION | 61 |
| REDUCER OPTION-UNDERDRIVE E CREEPER VERSION | 62 |
| REDUCER OPTION-SHUTTLE AND CREEPER VERSION | 63 |
| PTO SHAFT-STANDARD TYPE | 64 |
| PTO SHAFT-540/750/1000 R.P.M. | 65 |
| PTO-CONTROL-STANDARD TYPE | 66 |

TABLE OF CONTENT

| | |
|--|-----|
| PTO-CONTROL-540/750/1000 R.P.M. | 67 |
| TRANSFER GEAR BOX AND DRIVE SHAFT: | 68 |
| 4 WHEEL DRIVE CONTROLS | 69 |
| REAR AXLE | 70 |
| REAR AXLE | 71 |
| DIFFERENTIAL LOCK CONTROLS | 72 |
| DIFFERENTIAL LOCK CONTROLS | 73 |
| BRAKE AND CONTROLS-PEDALS | 74 |
| BRAKE AND CONTROLS-PIPINGS | 75 |
| BRAKE AND CONTROLS | 76 |
| BRAKES | 77 |
| MASTER CYLINDER-BRAKE PUMP | 78 |
| BRAKE CYLINDER | 79 |
| TRAILER BRAKES-ITALY TYPE | 80 |
| TRAILER BRAKES-FRANCE TYPE | 81 |
| REAR WHEELS | 82 |
| FRONT WHEELS | 83 |
| FRONT AXLE 2 WHEEL DRIVE | 84 |
| FRONT AXLE 4 WHEEL DRIVE-WITH DISCBRAKES | 85 |
| FRONT AXLE 4 WHEEL DRIVE-WITH DISCBRAKES | 86 |
| FRONT AXLE 4 WHEEL DRIVE-WITH FRONT BRAKING | 87 |
| FRONT AXLE 4 WHEEL DRIVE-WITH FRONT BRAKING | 88 |
| FRONT AXLE 4 WHEEL DRIVE | 89 |
| FRONT AXLE 4 WHEEL DRIVE-WITH DISCBRAKES | 90 |
| STEERING HYDRAULIC LINES | 91 |
| STEERING HYDRAULIC LINES | 92 |
| STEERING ORBITROL UNIT-2 WHEEL DRIVE | 93 |
| STEERING ORBITROL UNIT-4 WHEELS DRIVE | 94 |
| STEERING-PUMP-TUROLLA | 95 |
| STEERING-PUMP-BOSCH | 96 |
| STEERING CYLINDER | 97 |
| STEERING CYLINDER | 98 |
| HYDRAULIC EQUIPMENT-HYDRAULIC LINES STD. | 99 |
| HYDRAULIC EQUIPMENT-HYDRAULIC LINES STD. | 100 |
| HYDRAULIC EQUIPMENT-SINGLE HYDRAULIC LINES | 101 |
| HYDRAULIC EQUIPMENT-SINGLE HYDRAULIC LINES | 102 |
| HYDRAULIC PUMP-BOSCH | 103 |
| HYDRAULIC PUMP-BOSCH | 104 |
| HYDRAULIC LIFT-WITH ELECTRONIC LIFT | 105 |
| HYDRAULIC LIFT-WITH ELECTRONIC LIFT | 106 |
| ELECTRICAL WIRING-WITH ELECTRONIC LIFT | 107 |
| ELECTRICAL WIRING | 108 |
| ELECTRICAL WIRING | 109 |
| HYDRAULIC LIFT VALVE-BOSCH | 110 |
| AUXILIARY HYDRAULIC VALVE LINES | 111 |
| AUXILIARY HYDRAULIC VALVE LINES | 112 |
| HYDRAULIC LIFT CYLINDER-RIGHT-HAND LIFT ROD LEVELLING BOX | 113 |
| HYDRAULIC LIFT CYLINDER-RIGHT-HAND LIFT ROD LEVELLING BOX | 114 |
| HYDRAULICS AND LINKAGE-HYDRAULIQUE CONTROL | 115 |
| AUXILIARY HYDRAULIC VALVE LINES-SALAMI TYPE | 116 |
| AUXILIARY HYDRAULIC VALVE LINES-SALAMI TYPE | 117 |
| AUXILIARY HYDRAULIC VALVE LINES-SALAMI TYPE | 118 |
| AUXILIARY HYDRAULIC VALVE LINES-SALAMI TYPE | 119 |
| AUXILIARY HYDRAULIC VALVE LINES-SALAMI TYPE | 120 |
| AUXILIARY HYDRAULIC VALVE LINES-SALAMI TYPE | 121 |
| AUXILIARY HYDRAULIC VALVE LINES | 122 |
| AUXILIARY HYDRAULICS VALVE STANDARD-SALAMI TYPE | 123 |
| AUXILIARY HYDRAULICS VALVE STANDARD-SALAMI TYPE | 124 |
| AUXILIARY HYDRAULICS FLOATING-SALAMI TYPE | 125 |
| AUXILIARY HYDRAULICS FLOATING-SALAMI TYPE | 126 |
| AUXILIARY HYDRAULICS VALVE KICK-OUT-SALAMI TYPE | 127 |
| AUXILIARY HYDRAULICS VALVE KICK-OUT-SALAMI TYPE | 128 |
| AUXILIARY VALVE FOR HYDRAULIC ENGINE-SALAMI TYPE | 129 |
| AUXILIARY VALVE FOR HYDRAULIC ENGINE-SALAMI TYPE | 130 |
| PLATE FOR AUXILIARY HYDRAULIC VALVE-SALAMI TYPE | 131 |
| HOLDING FIXTURE COVER AUXILIARY HYDRAULIC VALVE.-SALAMI TYPE | 132 |
| LINKAGE | 133 |
| LINKAGE | 134 |

TABLE OF CONTENT

| | |
|------------------------------------|-----|
| LINKAGE-QUICK ATTACH | 135 |
| LINKAGE-QUICK ATTACH | 136 |
| LINKAGE-QUICK ATTACH | 137 |
| SHEET METAL | 138 |
| SHEET METAL | 139 |
| SHEET METAL | 140 |
| SHEET METAL | 141 |
| SHEET METAL | 142 |
| DECALS | 143 |
| DECALS | 144 |
| DECALS | 145 |
| SUPPORTS PLATFORM | 146 |
| SUPPORTS PLATFORM | 147 |
| FENDERS AND SUPPORTS | 148 |
| FENDERS - FRONT | 149 |
| SEAT | 150 |
| SEAT | 151 |
| SEAT | 152 |
| SEAT | 153 |
| SEAT | 154 |
| TRACTOR CAB | 155 |
| TRACTOR CAB-FRONT - WINDSCREENN | 156 |
| TRACTOR CAB-LOWER FIXED COMPONENTS | 157 |
| TRACTOR CAB | 158 |
| TRACTOR CAB-LEFT SIDE - RIGHT SIDE | 159 |
| TRACTOR CAB-REAR AND BRACKET | 160 |
| TRACTOR CAB-OUTSIDE AND INTERNAL | 161 |
| TRACTOR CAB | 162 |
| TRACTOR CAB | 163 |
| TRACTOR CAB | 164 |
| TRACTOR CAB | 165 |
| ROTATING LIGHT | 166 |
| WEIGHT FRAME AND WEIGHTS W | 167 |
| REAR HOOK | 168 |
| REAR HOOK | 169 |
| REAR HOOK-STANDARD TYPE | 170 |
| DRAWBAR-HEAVY DUTY | 171 |
| TOOL KIT | 172 |

<https://www.ebooklibonline.com>

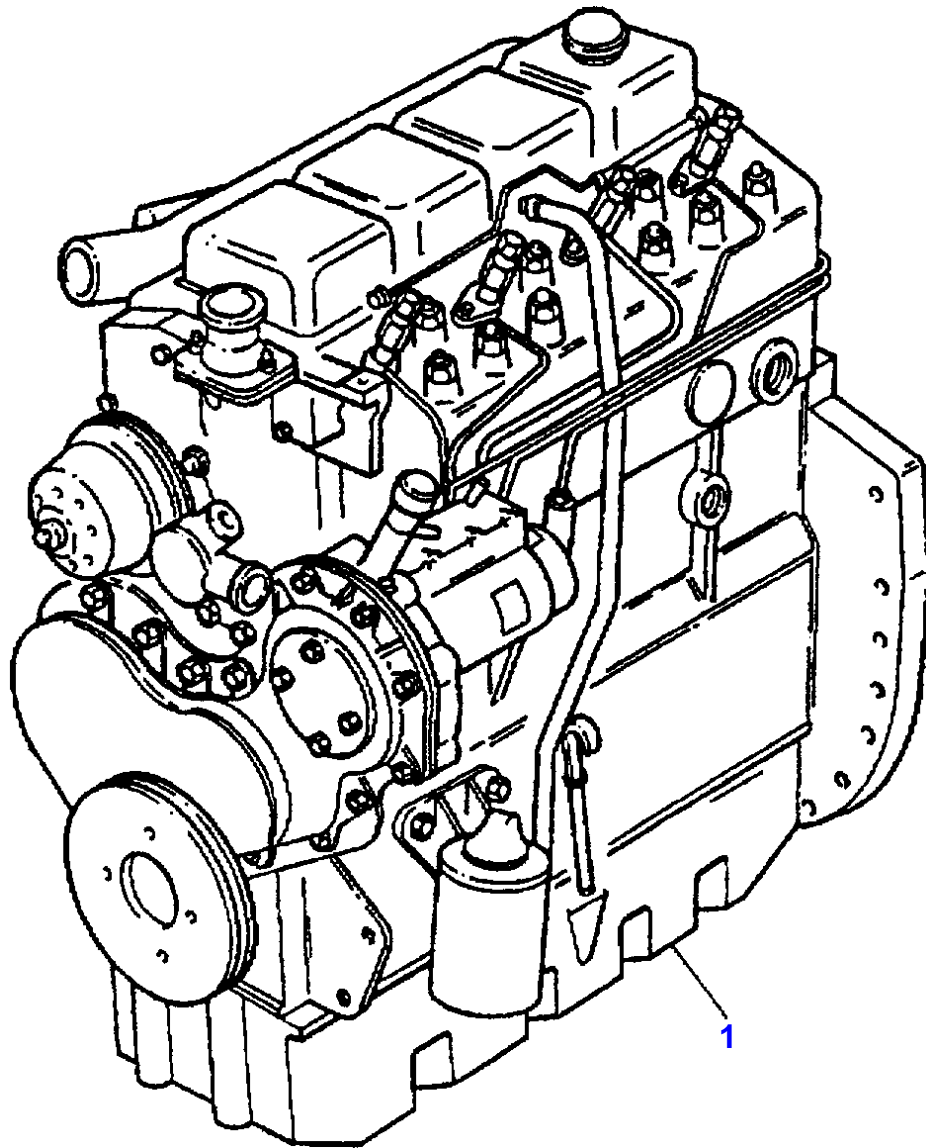
Hello dear friend!

Thank you very much for reading.

Enter the link into your browser.

The full manual is available for immediate download.

<https://www.ebooklibonline.com>



MASSEY FERGUSON

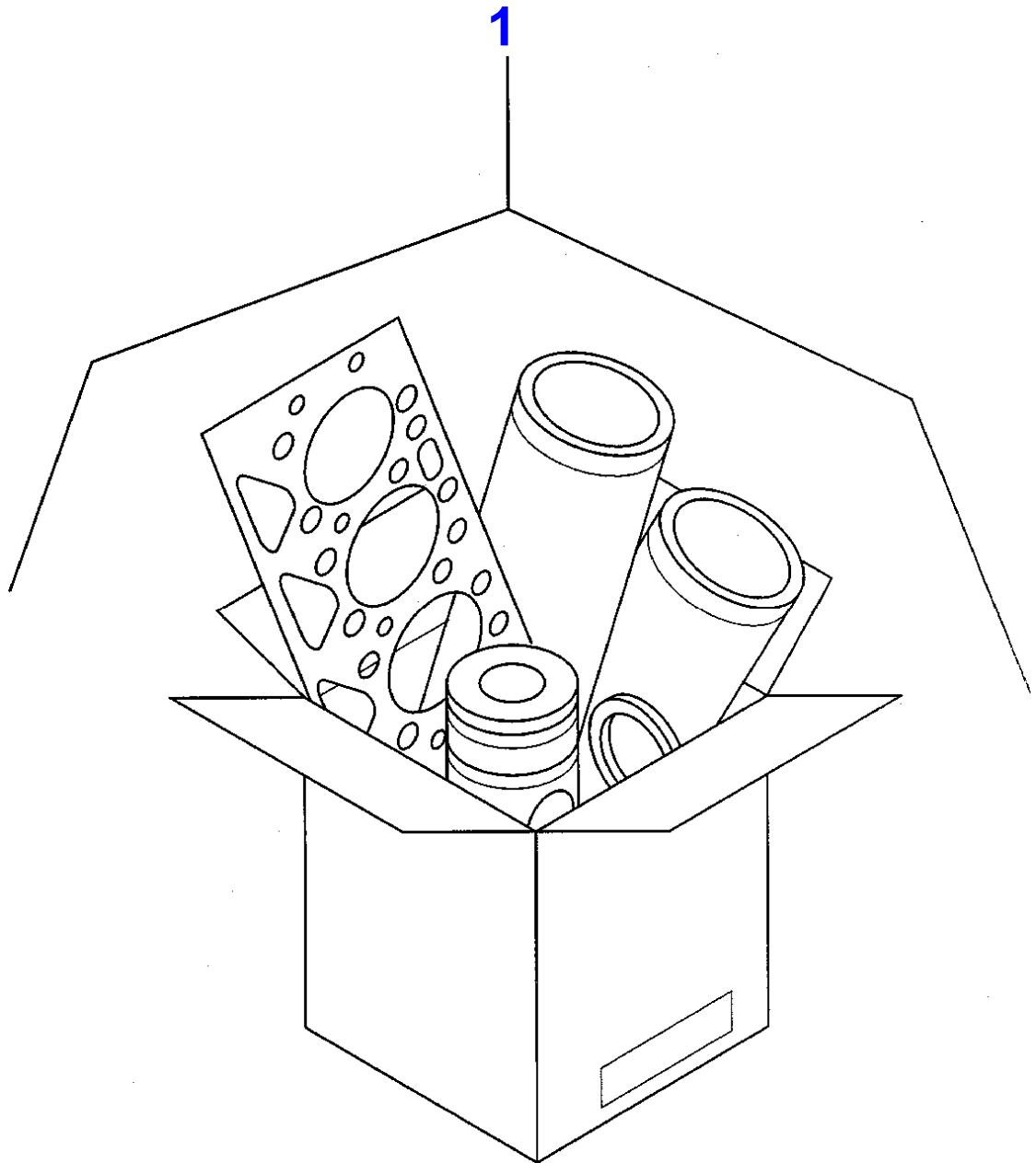
MF 384 VQ TRACTOR, CAB, |-> - 3540278

3540278

ENGINE ASSEMBLY-A4.236 ENGINE

1

| Item | Part Number | Qty | Description | Comments |
|------|-------------|-----|-------------|--------------|
| 1 | 3553122M91 | 1 | Engine | "LD31200" PK |



SHORT ENGINE-A4.236 ENGINE

| Item | Part Number | Qty | Description | Comments |
|------|-------------|-----|--------------|---------------------|
| 1 | LD39336 | 1 | SHORT ENGINE | |
| 2 | | 1 | | [A] (1) |
| | | 4 | | (1) |
| | | 1 | | (1) |
| | | 4 | | (1) |
| | | 4 | | (1) |
| | | 4 | | (1) |
| | | 10 | | (1) |
| | | 8 | | (1) |
| | | 4 | | (1) |
| | | 1 | | (1) |
| | | 1 | HOUSING | (1) |
| | | 22 | | (1) |
| | | 1 | | (1) |
| | | | | [A] |
| | | | | COMPLETE WITH PLUGS |

MASSEY FERGUSON

MF 384 VQ TRACTOR, CAB, |-> - 3540278

3540278

CYLINDER BLOCK-A4.236 ENGINE

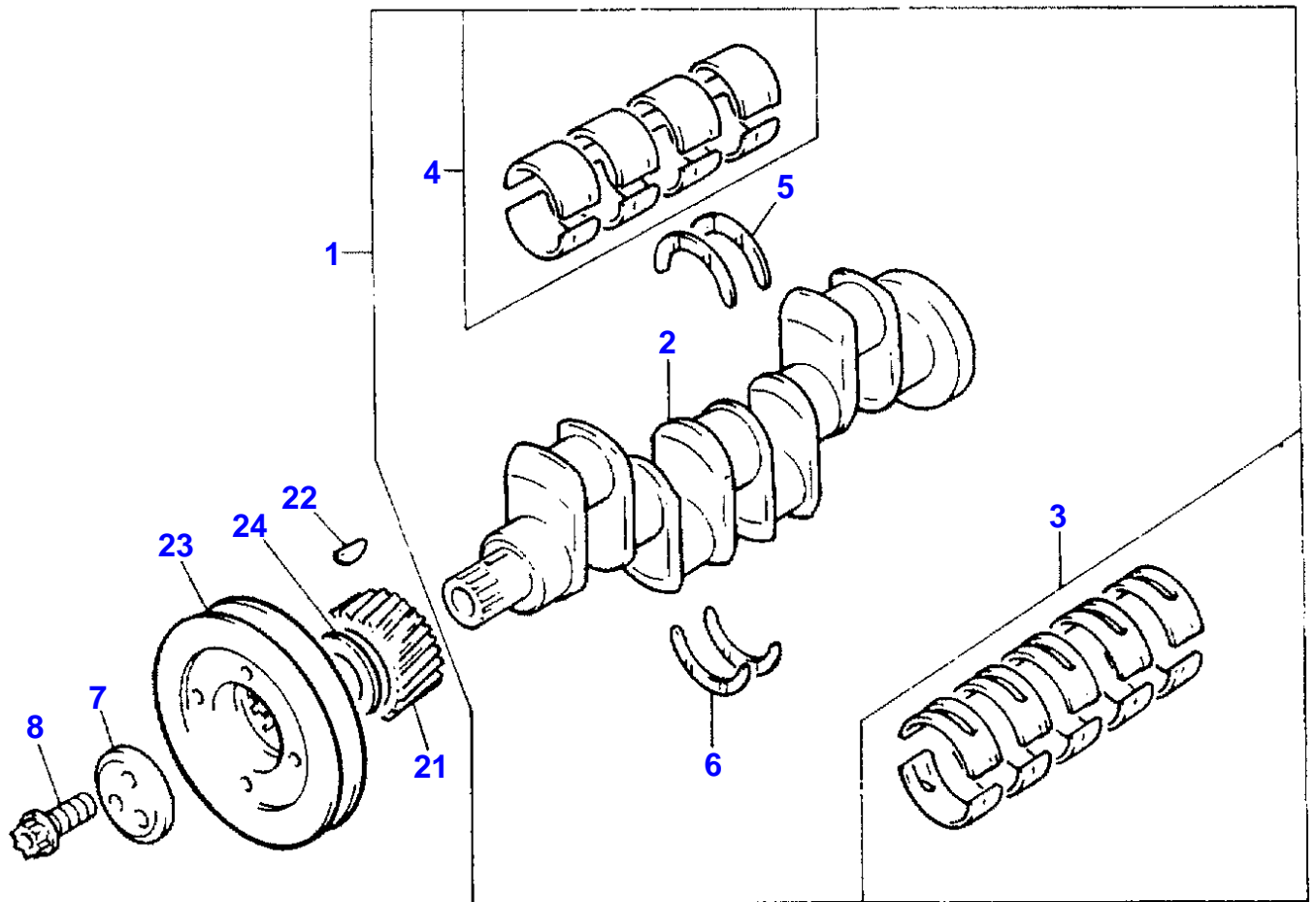
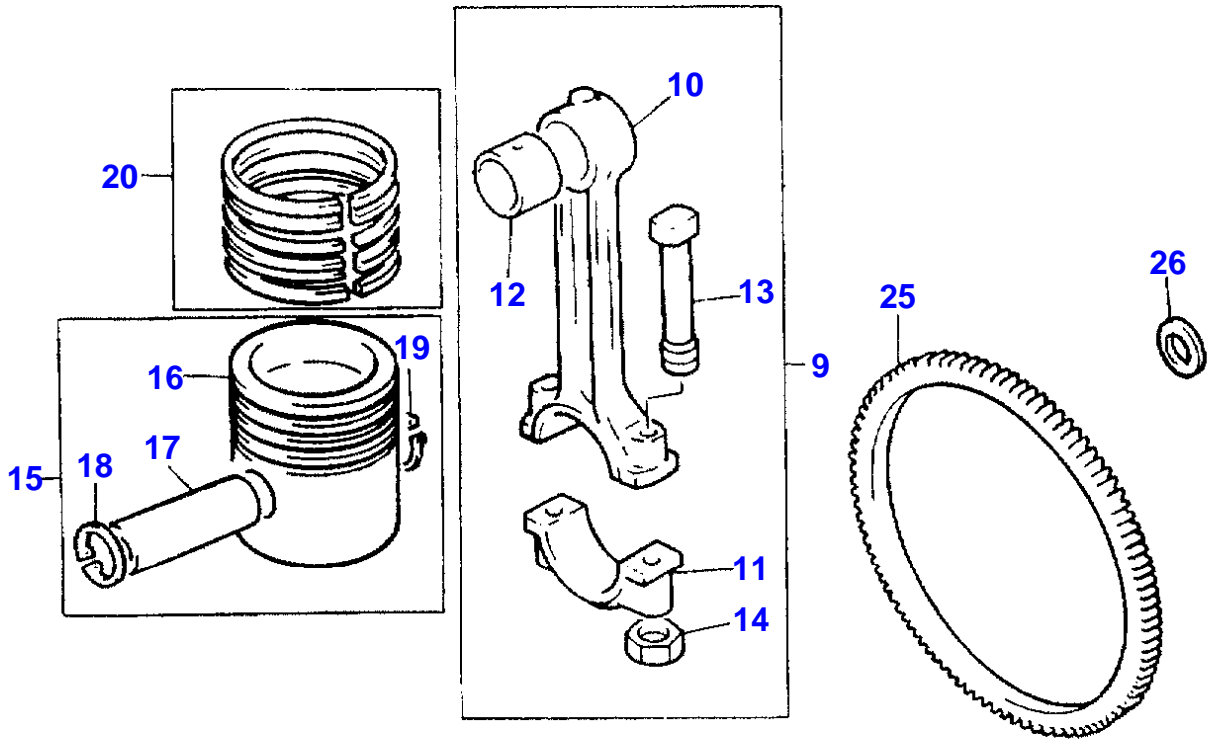
3

| Item | Part Number | Qty | Description | Comments |
|------|-------------|-----|------------------|--------------------------|
| 1 | ZZ50226 | 1 | KIT | |
| 2 | 3135X031 | 4 | Liner | [A, X] (1) . 4. 8. 16 |
| 2 | 3135X032 | 1 | Liner | [B, X] . 4. 4. 8 |
| 3 | 0650710 | 6 | Plug | (1) |
| 4 | 32418122 | 4 | Plug | (1) |
| 5 | 33142111 | 10 | Thimble | (1) |
| 6 | 32166329 | 10 | Bolt | (1) |
| 7 | 31134165 | 1 | BUSH | (1) |
| 8 | 0650710 | 2 | Plug | (1) |
| 9 | 2485A204 | 1 | Plug | (1) |
| 10 | 32416119 | 1 | PLUG | (1) |
| 11 | 32168212 | 1 | PLUG | (1) |
| 12 | 3311R003 | 1 | Washer | (1) |
| 13 | 0650588 | 2 | Plug | (1) |
| 14 | 32417134 | 1 | Plug | |
| 15 | 3681E034 | 1 | GASKET | [X] . 1. 2. 4 |
| 16 | 4142V066 | 1 | FLANGE | |
| 17 | 2418F475 | 1 | Seal | [X] (16) . 1. 2. 4 |
| 18 | 3681T012 | 1 | GASKET | |
| 19 | 0746211 | 12 | Bolt | |
| 20 | 390972X1 | 12 | Washer Metric | |
| 21 | 0350009 | 2 | Dowel | |
| 22 | 2172530 | 2 | Capscrew | |
| 23 | 33112111 | 2 | Washer | |
| 24 | 0650594 | 1 | Plug | |
| 25 | 32416118 | 4 | PLUG | |
| 26 | 32161114 | 2 | Plug | |
| 27 | 0650588 | 1 | Plug | |
| 28 | 32452113 | 1 | Pointer | |
| 29 | 32114143 | 1 | Plug | |

[A]
PRESS FIT

[B]
SLIP FIT

[X]
QTY PER TRACTORS SOLD (AA.BBB.CCC.DDD) (AA) FOR 1 ,(BBB) 2-10 (CCC)
11-25 (DDD) 26-50



MASSEY FERGUSON

MF 384 VQ TRACTOR, CAB, |-> - 3540278

3540278

CRANKSHAFT, PISTONS AND CONNECTING RODS-A4.236 ENGINE

4

| Item | Part Number | Qty | Description | Comments |
|------|-------------|-----|------------------|--|
| 1 | ZZ90081 | 1 | Kit, Crankshaft | [X] . 0. 0. 1 |
| 2 | | 1 | | (1) Not serviced, order REF.1 |
| 3 | 81558 | 1 | Kit, Bearing | [A, X] (1) . 1. 2. 3 |
| 3 | 81558A | X | Kit, Bearing | [A] Thickness (-)0.25MM Thickness (-)0.010 |
| 3 | 81558B | X | Kit, Bearing | [A] Thickness (-)0.50MM Thickness (-)0.020 |
| 3 | 81558C | X | Kit, Bearing | [A] Thickness (-)0.75MM Thickness (-)0.030 |
| 4 | 85042 | 1 | Kit, Bearing | [A, X] (1) . 0. 1. 2 |
| 4 | 85042A | X | Kit, Bearing | [A] Thickness (-)0.25MM Thickness (-)0.010 |
| 4 | 85042B | X | Kit, Bearing | [A] Thickness (-)0.50MM Thickness (-)0.020 |
| 4 | 85042C | X | Kit, Bearing | [A] Thickness (-)0.75MM Thickness (-)0.030 |
| 5 | 31137551 | 2 | Thrust Washer | [X] (1) . 0. 2. 4 |
| 5 | 31137312 | X | Thrust Washer | Thickness (+)0.19MM Thickness (+)0.0075 |
| 6 | 31137561 | 2 | Thrust Washer | [X] (1) . 0. 2. 4 |
| 6 | 31137322 | X | Thrust Washer | [X] Thickness (+)0.19MM Thickness (+)0.0075 . 1. 2. 4 |
| 7 | 3242T001 | 1 | Thrust Block | [D] |
| 8 | 32186139 | 3 | Screw | [D] |
| 9 | ZZ90009 | 4 | Kit, Conrod | [X] . 0. 4. 8 |
| 10 | | 1 | CONROD | (9) Not serviced, order REF.9 |
| 11 | | 1 | | (9) Not serviced, order REF.9 |
| 12 | 31134123 | 1 | Bush | [X] (9) . 4. 8. 16 |
| 13 | 32762145 | 1 | SCREW | [X] (9) . 4. 8. 16 |
| 14 | 33221328 | 1 | Nut | [X] (9) . 4. 8. 16 |
| 15 | U5LU0025 | 4 | Kit, Piston | [B, X] . 4. 8. 16 |
| 15 | U5LP0035 | 4 | Kit, Piston | [C, X] . 4. 8. 16 |
| 16 | | 1 | PISTON | (15) Not serviced, order REF.15 |
| 17 | | 1 | | (15) Not serviced, order REF.15 |
| 18 | 0170002 | 1 | Circlip | (15) |
| 19 | 0170002 | 1 | Circlip | (15) |
| 20 | 41158041 | 4 | Kit, Piston Ring | [X] . 4. 8. 16 |
| 21 | 31171681 | 1 | Gear,Crankshaft | [X] Number of teeth/spines 28 . 1. 2. 4 |
| 22 | 0500012 | 1 | Woodruff Key | |
| 23 | 31148798 | 1 | Pulley,Crank | |
| 24 | 33125416 | 1 | Washer | [E] |
| 25 | 3552228M1 | 1 | CROWNWHEEL | Number of teeth/spines 115 |
| 26 | 33117127 | 6 | Washer | |

MASSEY FERGUSON

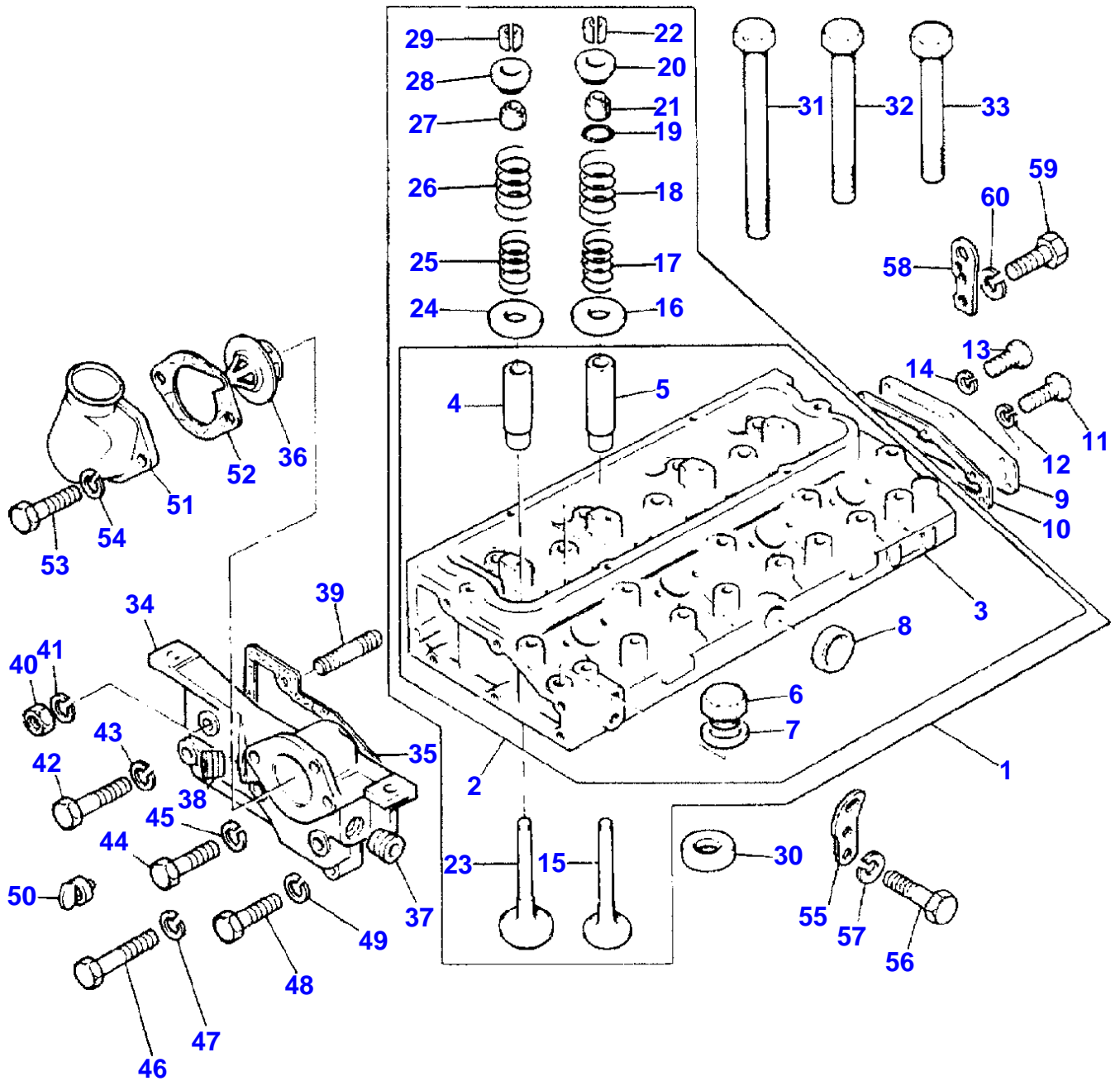
MF 384 VQ TRACTOR, CAB, |-> - 3540278

3540278

CRANKSHAFT, PISTONS AND CONNECTING RODS-A4.236 ENGINE

4

| Item | Part Number | Qty | Description | Comments |
|------|-------------|-----|-------------|---|
| | | | | [A] PRE-FINISHED |
| | | | | [C] PRE-TOPPED |
| | | | | [B] UNTOPPED |
| | | | | [X] QTY PER TRACTORS SOLD (AA.BBB.CCC.DDD) (AA) FOR 1 ,(BBB) 2-10 (CCC) 11-25 (DDD) 26-50 |
| | | | | [D] NOT SUPPLIED WITH ASSEMBLY |
| | | | | [E] USED ONLY WITH 31148797 |



CYLINDER HEAD-A4.236 ENGINE

| Item | Part Number | Qty | Description | Comments |
|------|-------------|-----|---------------|---|
| 1 | ZZ80175 | 1 | CYLINDER HEAD | [X] . 0. 0. 1 |
| 2 | ZZ80176 | 1 | CYLINDER HEAD | [F] (1) (2) Not serviced, order REF.2 |
| 3 | | 1 | | |
| 4 | 3343F031 | 4 | GUIDE | [C, X] (2) . 0. 4. 8 |
| 5 | 3343F031 | 4 | GUIDE | [C, X] (2) . 0. 4. 8 |
| 6 | 0650203 | 1 | Plug | (2) |
| 7 | 2411157 | 1 | Washer | (2) |
| 8 | 0650710 | 1 | Plug | (2) |
| 9 | 3623K007 | 1 | Plate | |
| 10 | 3687M018 | 1 | GASKET | |
| 11 | 0746452 | 2 | Setscrew | |
| 12 | 0920054 | 2 | Washer | |
| 13 | 2183205 | 4 | Screw | |
| 14 | 0920053 | 4 | Washer | |
| 15 | 31431881 | 4 | Valve Exhaust | [D, G, X] Alternative 31431886 . 4. 8. 16 |
| 15 | 3142A052 | 4 | Valve Exhaust | [C, H, X] (1) . 0. 4. 8 |
| 15 | 31431882 | X | Valve Exhaust | [B, G, X] Thickness (+) 0,003 . 4. 8. 16 |
| 15 | 3142A053 | X | Valve Exhaust | [B, H] Thickness (+) 0.003 |
| 15 | 31431883 | X | Valve Exhaust | [B, G] Thickness (+) 0,015 |
| 15 | 3142A054 | X | Valve Exhaust | [B, H] Thickness (+) 0,015 |
| 15 | 31431884 | X | Valve Exhaust | [B, G] Thickness (+) 0,030 |
| 15 | 3142A055 | X | Valve Exhaust | [B, H] Thickness (+) 0,030 |
| 16 | 33415118 | 4 | Washer | [X] (1) . 4. 8. 16 |
| 17 | 31744131 | 4 | Spring | [J, X] (1) . 4. 8. 16 |
| 17 | 31744133 | 4 | Spring | [K] (1) |
| 18 | 31745121 | 4 | Spring | [J, X] (1) . 4. 8. 16 |
| 18 | 31745122 | 4 | Spring | [K] (1) |
| 19 | 2415B201 | 4 | O Ring | [J, X] (1) . 4. 8. 16 |
| 20 | 33423147 | 4 | Cap | [J, X] (1) . 4. 8. 16 |
| 20 | 33424107 | 4 | Cap | [K] (1) |
| 21 | 33817117 | 4 | Seal | [X] (1) . 4. 8. 16 |
| 22 | 33173108 | 8 | Cotter | [A, X] (1) . 4. 8. 16 |
| 23 | 31431641 | 4 | Valve Inlet | [D, X] (1) . 0. 4. 8 |
| 23 | 31431315 | 4 | Valve Inlet | [E] (1) |
| | 31431401 | X | Valve Inlet | [B, D, X] Thickness (+) 0.003 . 4. 8. 16 |
| 23 | 31431316 | X | VALVE | [B, E] Thickness (+) 0.003 |
| 23 | 31431402 | X | Valve Inlet | [B, D] Thickness (+) 0,015 |
| 23 | 31431317 | X | VALVE | [B, E] Thickness (+) 0,015 |
| 23 | 31431403 | X | Valve Inlet | [B, D] Thickness (+) 0,030 |
| 23 | 31431318 | X | VALVE | [B, E] |

MASSEY FERGUSON

MF 384 VQ TRACTOR, CAB, |-> - 3540278

3540278

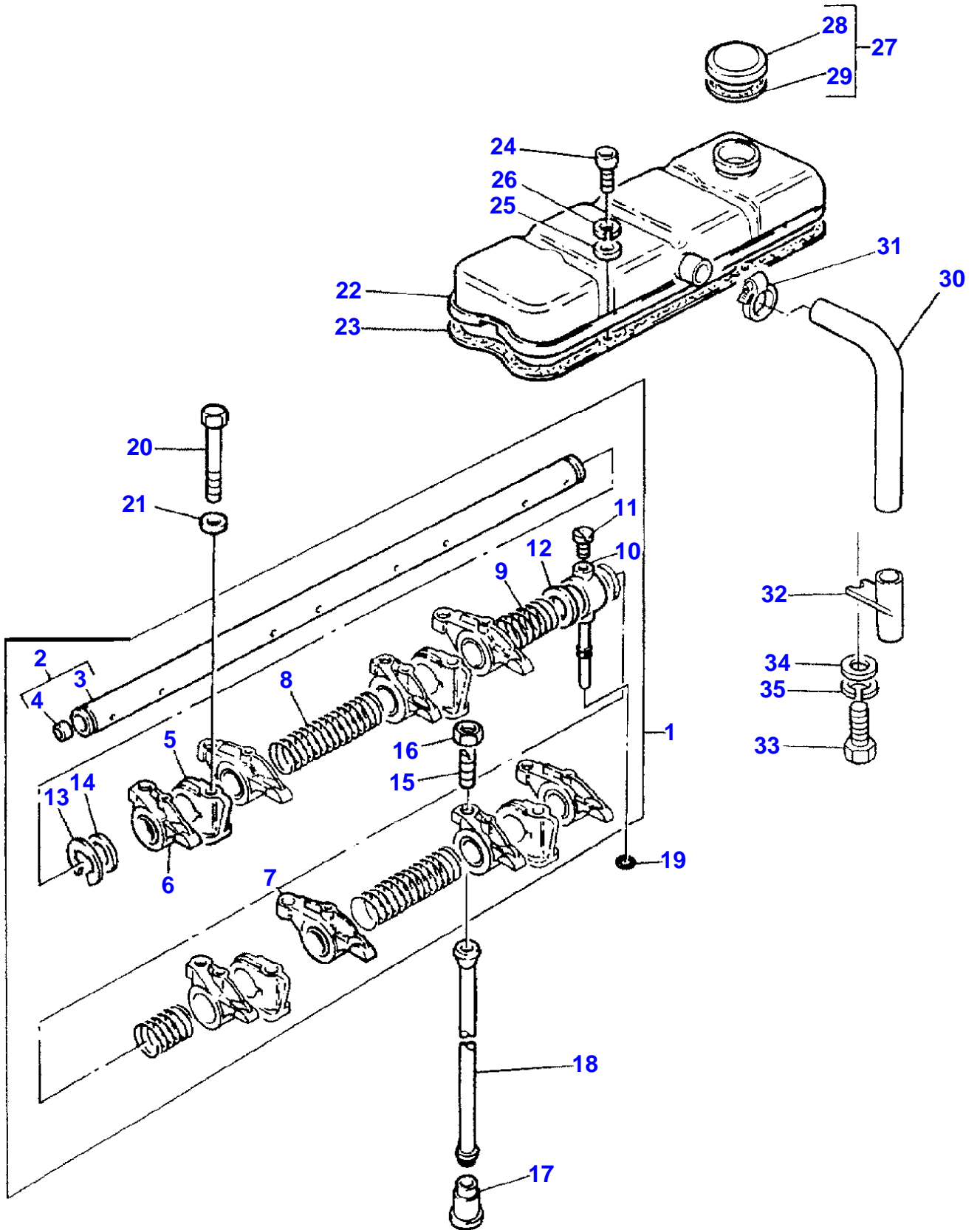
CYLINDER HEAD-A4.236 ENGINE

5

| Item | Part Number | Qty | Description | Comments |
|------|-------------|-----|-------------|---|
| 24 | 33415118 | 4 | Washer | Thickness (+) 0,030 [X] (1) . 0. 4. 8 |
| 25 | 31744131 | 4 | Spring | [J, X] (1) . 4. 8. 16 |
| 25 | 31744133 | 4 | Spring | [K] (1) |
| 26 | 31745121 | 4 | Spring | [J, X] (1) . 0. 4. 8 |
| 26 | 31745122 | 4 | Spring | [K] (1) |
| 27 | 33817117 | 4 | Seal | [X] (1) . 0. 4. 8 |
| 28 | 33423147 | 4 | Cap | [J, X] (1) . 0. 4. 8 |
| 28 | 33424107 | 4 | Cap | [K] (1) |
| 29 | 33173108 | 8 | Cotter | [A, X] (1) . 0. 4. 8 |
| 30 | 33152153 | 4 | Insert | [X] (1) . 1. 2. 6 |
| 31 | 32166337 | 2 | Screw | |
| 32 | 32166338 | 12 | Bolt | |
| 33 | 32166339 | 8 | Screw | |
| 34 | 37762705 | 1 | Body | |
| 34 | 3545576M1 | 1 | BODY | [B] |
| 35 | 3685F005 | 1 | GASKET | [X] . 2. 4. 8 |
| 36 | 2485659 | 1 | Thermostat | [X] . 1. 2. 6 |
| 37 | 2431154 | 1 | Plug | |
| 38 | 2431154 | 1 | Plug | |
| 39 | 2217202 | 1 | Stud | |
| 40 | 2188135 | 1 | Nut | |
| 41 | 0920054 | 1 | Washer | |
| 42 | 0096238 | 1 | Bolt | |
| 43 | 0920053 | 1 | Washer | |
| 44 | 0096439 | 1 | Bolt | |
| 45 | 0920054 | 1 | Washer | |
| 46 | 2183205 | 2 | Screw | |
| 47 | 0920053 | 2 | Washer | |
| 48 | 0746459 | 2 | SCREW | |
| 49 | 0920054 | 2 | Washer | |
| 50 | 2485791 | 1 | Pin | |
| 51 | | 1 | | [I] |
| 52 | 36862225 | 1 | GASKET | [X] . 2. 4. 16 |
| 53 | 0746458 | 2 | SCREW | |
| 54 | 0920054 | 2 | Washer | |
| 55 | 3648C004 | 1 | Plate | |
| 56 | 353537X1 | 2 | Screw Unf | |
| 57 | 0920054 | 2 | Washer | |
| 58 | 36177111 | 1 | Plate | |
| 59 | 353537X1 | 2 | Screw Unf | |
| 60 | 0920054 | 2 | Washer | |

[A]
SERVICED IN PAIRS
[X]
QTY PER TRACTORS SOLD (AA.BBB.CCC.DDD) (AA) FOR 1 ,(BBB) 2-10 (CCC)
11-25 (DDD) 26-50
[G]
USED ONLY WITH ZZ80015/ZZ80072 ..
[B]
WITH CONDITIONED AIR
[E]
USED ONLY WITH ZZ80062/ZZ80072 (CYLINDER HEAD)
[K]
USED ONLY WITH ZZ80072
[F]
MINOR ASSEMBLY
[C]
REMOVE AND FIT 31431881

| Item | Part Number | Qty | Description | Comments |
|------|-------------|-----|-------------|--|
| | | | | [D] FITTED IN PLACE OF EXHAUST VALVES SUPPLIED WITH CY LINDER HEAD ASSEMBLY |
| | | | | [I] NOT SUPPLIED BY PERKINS ENGINES LIMITED. |
| | | | | [J] USED ONLY WITH ZZ80015/ZZ80062 |
| | | | | [H] USED ONLY WITH ZZ80062 |



ROCKER SHAFT-A4.236 ENGINE

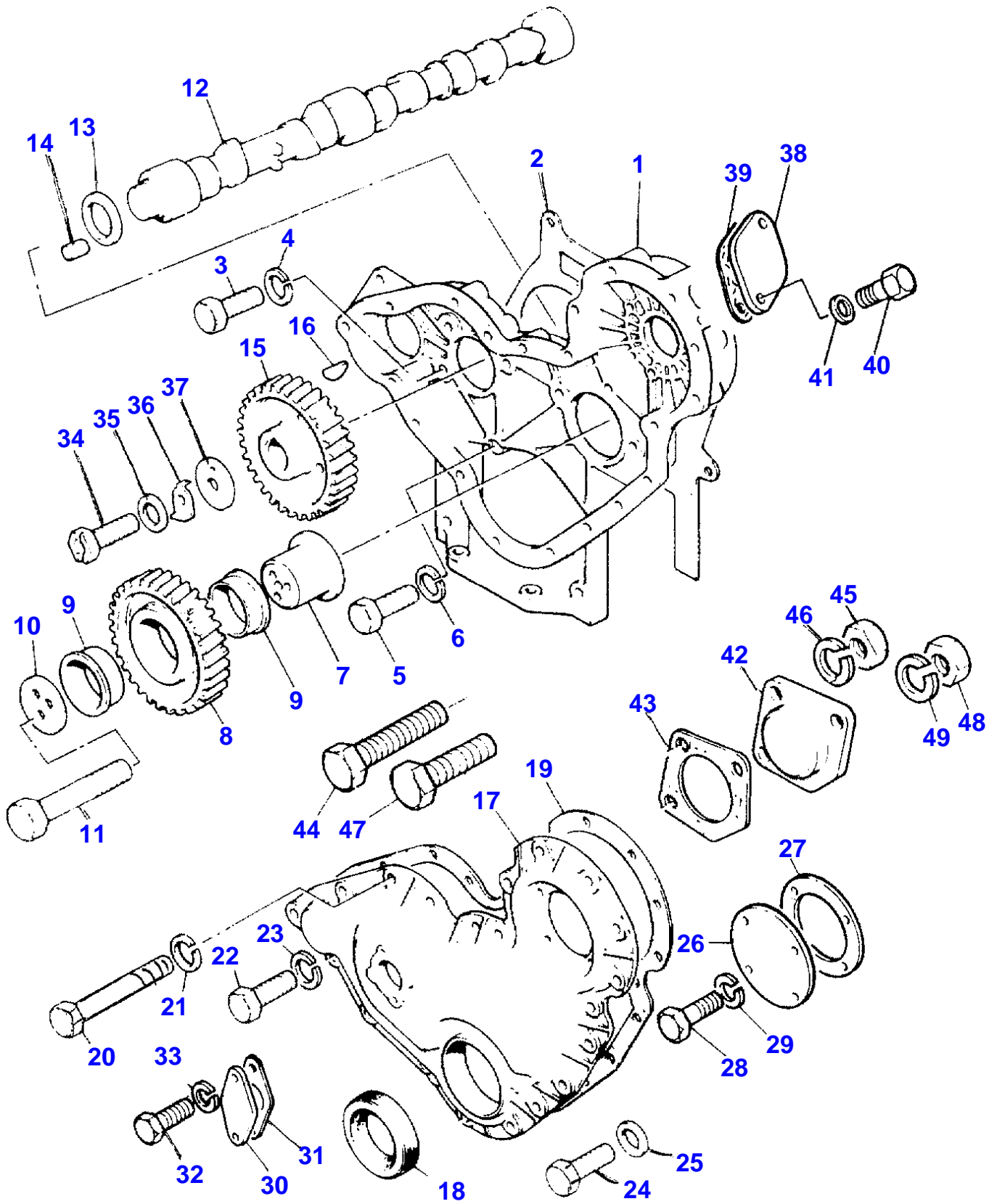
| Item | Part Number | Qty | Description | Comments |
|------|-------------|-----|---------------|--|
| 1 | ZZ90158 | 1 | SHAFT | [X] . 1. 2. 8 |
| 2 | ZZ90032 | 1 | Rocker Shaft | [X] (1) . 1. 2. 4 |
| 3 | | 1 | SHAFT | (2) Not serviced, order REF.2 |
| 4 | 0650507 | 2 | Plug | [X] (2) . 0. 2. 4 |
| 5 | 3818X901 | 4 | Bracket | (1) |
| 6 | 41151484 | 4 | LEVER | (1) Right Hand |
| 7 | 41151483 | 4 | LEVER | (1) Left Hand |
| 8 | 31744123 | 2 | Spring | (1) |
| 9 | 31743108 | 2 | Spring | (1) |
| 10 | 3775E012 | 1 | Connection | [A] (1) |
| 11 | 2231236 | 1 | Setscrew | [B] |
| | 2233022 | 1 | Screw | [C] (1) |
| 12 | 33117426 | 2 | Shim | (1) |
| 13 | 0170151 | 2 | Circlip | (1) |
| 14 | 33117434 | 2 | Washer | (1) |
| 15 | 0720579 | 8 | Screw | (1) |
| 16 | 0576052 | 8 | Nut | (1) |
| 17 | 3142U031 | 8 | TAPPET | [X] . 0. 8. 16 |
| 18 | 31434307 | 8 | Pushrod | [X] . 0. 8. 16 |
| 19 | 376525X1 | 1 | Olive | |
| 20 | 0096634 | 4 | Screw | |
| 21 | 0920006 | 4 | Washer | |
| 22 | 37188141 | 1 | COVER | |
| 23 | 3681A027 | 1 | Joint | [X] . 2. 4. 10 |
| 24 | 2172513 | 4 | Screw | |
| 25 | 0920002 | 4 | Washer | |
| 26 | 0920052 | 4 | Washer | |
| 27 | 2487845 | 1 | Cap | [X] . 1. 2. 4 |
| 28 | | 1 | | (27) Not serviced, order REF.27 |
| 29 | 24870002 | 1 | Joint | (27) |
| 30 | 33872516 | 1 | Pipe,Breather | |
| 31 | 21825195 | 1 | Clip | |
| 32 | 35731144 | 1 | Pipe,Breather | |
| 33 | 0096215 | 1 | Screw | Up to Serial or Engine Number U226708S |
| | 2187333 | 1 | Screw | From Serial or Engine Number U226709S |
| 34 | 390972X1 | 1 | Washer | Up to Serial or Engine Number U226708S |
| | | | Metric | |
| 35 | 0920053 | 1 | Washer | Up to Serial or Engine Number U226708S |

[X]
QTY PER TRACTORS SOLD (AA.BBB.CCC.DDD) (AA) FOR 1 ,(BBB) 2-10 (CCC) 11-25 (DDD) 26-50

[A]
WAS 3775E011 USE 3775E012/2233022.

[B]
USED ONLY WITH 3775E011

[C]
USED ONLY WITH 3775E012



MASSEY FERGUSON

MF 384 VQ TRACTOR, CAB, |-> - 3540278

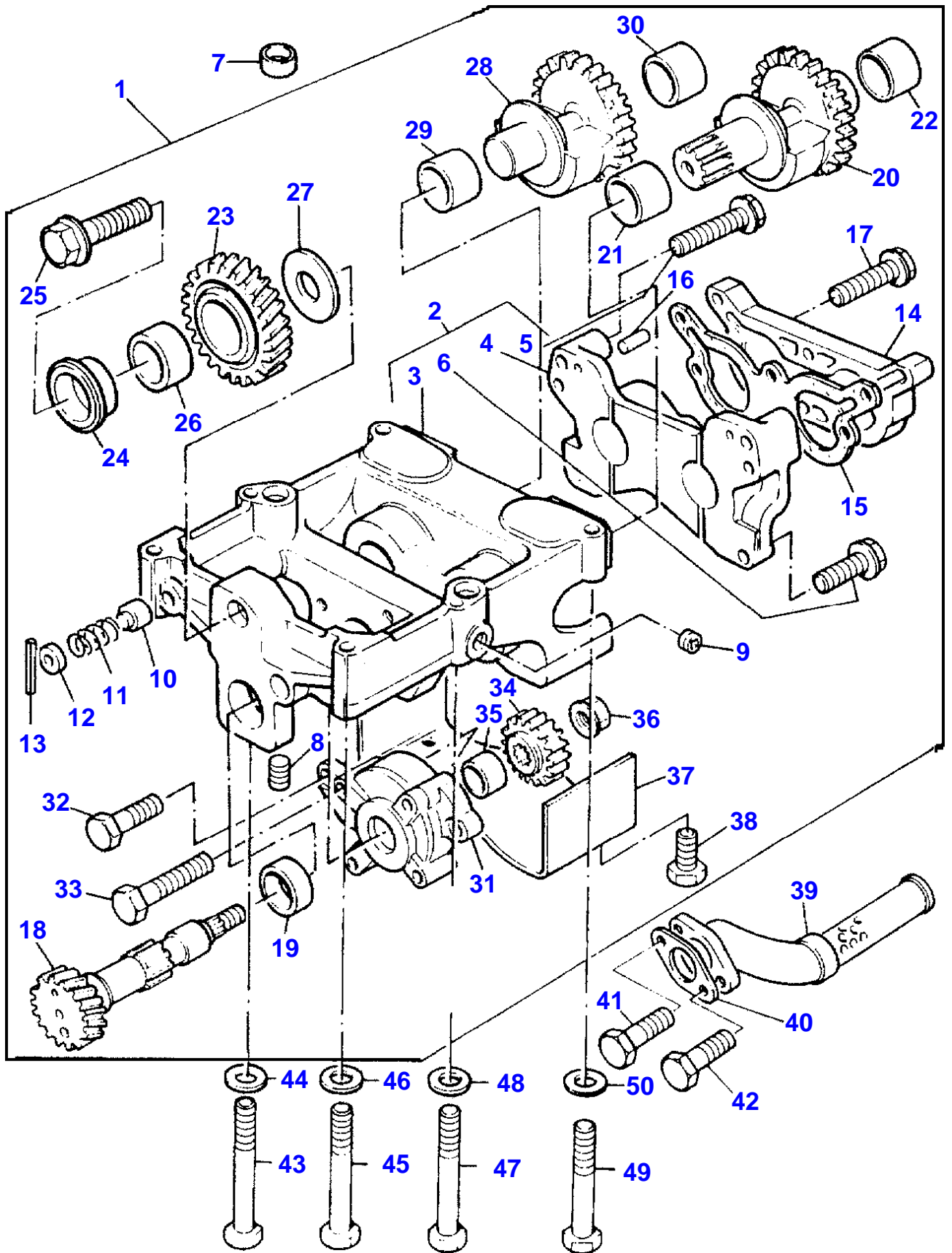
3540278

TIMING GEAR AND CAMSHAFT-A4.236 ENGINE

7

| Item | Part Number | Qty | Description | Comments |
|------|-------------|-----|-----------------|---------------------------|
| 1 | 37161642 | 1 | Body | |
| 2 | 36814162 | 1 | GASKET | [X] . 1. 2. 8 |
| 3 | 2183205 | 8 | Screw | |
| 4 | 0920053 | 8 | Washer | |
| 5 | 0746211 | 1 | Bolt | |
| 6 | 0920053 | 1 | Washer | |
| 7 | 33426161 | 1 | Hub | |
| 8 | 41115023 | 1 | Idler | Number of teeth/spines 63 |
| 9 | 0050345 | 2 | Bush | (8) |
| 10 | 3241H009 | 1 | PLATE | |
| 11 | 2184634 | 3 | Screw | |
| 12 | 31415374 | 1 | Camshaft | |
| 13 | 33153121 | 1 | Washer | |
| 14 | 2116053 | 1 | Pin | |
| 15 | 3117L012 | 1 | GEAR | Number of teeth/spines 56 |
| 16 | 0500012 | 1 | Woodruff Key | |
| 17 | 4142A041 | 1 | COVER | |
| 18 | 2418F436 | 1 | Seal | [X] . 1. 2. 8 |
| 19 | 3681P015 | 1 | GASKET | [X] . 1. 2. 8 |
| 20 | 0096238 | 4 | Bolt | |
| 21 | 0920053 | 4 | Washer | |
| 22 | 2183205 | 1 | Screw | |
| 23 | 0920053 | 1 | Washer | |
| 24 | 2183205 | 4 | Screw | |
| 25 | 0920053 | 4 | Washer | |
| 26 | 3241H004 | 1 | Plate | |
| 27 | 33825427 | 1 | GASKET | |
| 28 | 2183203 | 4 | Screw | |
| 29 | 0920053 | 4 | Washer | |
| 30 | 36171121 | 1 | Plate | |
| 31 | 36833163 | 1 | GASKET | |
| 32 | 2183104 | 2 | Screw | |
| 33 | 0920052 | 2 | Washer | |
| 34 | 32161217 | 1 | Screw | |
| 35 | 33115408 | 1 | Washer | |
| 36 | 31733121 | 1 | Washer | |
| 37 | 33153128 | 1 | Washer | |
| 38 | 36235118 | 1 | PLATE | |
| 39 | 36862199 | 1 | GASKET | |
| 40 | 2183204 | 2 | Screw | |
| 41 | 0920053 | 2 | Washer | |
| 42 | 37556148 | 1 | Plate | |
| 43 | 36861466 | 1 | GASKET | |
| 44 | 0748505 | 1 | Screw | |
| 45 | 2238153 | 1 | Nut | |
| 46 | 0920054 | 1 | Washer | |
| 47 | 2232151 | 2 | Screw | |
| 48 | 2238153 | 2 | Nut | |
| 49 | 0920054 | 2 | Washer | |

[X]
QTY PER TRACTORS SOLD (AA.BBB.CCC.DDD) (AA) FOR 1 ,(BBB) 2-10 (CCC)
11-25 (DDD) 26-50



BALANCER UNIT-A4.236 ENGINE

| Item | Part Number | Qty | Description | Comments |
|------|-------------|-----|-------------------|--------------------------------------|
| 1 | 4111K051 | 1 | Balancer | |
| | 4111K051 | 1 | Balancer | [X] . 0. 0. 1 |
| 2 | 4145L007 | 1 | Frame | (1) |
| 3 | | 1 | | (2) Not serviced, order REF.2 |
| 4 | | 1 | | (2) Not serviced, order REF.2 |
| 5 | 2315C052 | 4 | Screw | (2) |
| 6 | 2314J005 | 2 | Screw | (2) |
| 7 | 33137408 | 2 | Thimble | |
| 8 | 32558314 | 1 | Plug | (1) |
| 9 | 2431A054 | 1 | Plug | (1) |
| 10 | 3272E005 | 1 | Plunger | (1) |
| 11 | 3174D004 | 1 | Spring | (1) |
| 12 | 3342A611 | 1 | Cap | (1) |
| 13 | 2116A056 | 1 | Pin | (1) |
| 14 | 3753R061 | 1 | Cover | (1) |
| | 3753R221 | 1 | Cover | (1) |
| 15 | 3687M006 | 1 | Joint | (1) |
| 16 | 0350042 | 2 | Dowel | (1) |
| 17 | 2315C052 | 4 | Screw | (1) |
| 18 | 3117V003 | 1 | Shaft | (1) Number of teeth/spines 21 |
| 19 | 2551A009 | 1 | Bearing Needle | (1) |
| 20 | 3116K014 | 1 | Weight | (1) Number of teeth/spines 16/38 |
| 20 | 3116K014 | 1 | Weight | [X] . 0. 1. 2 |
| 21 | 2511A730 | 1 | Bush | (1) |
| | 2511A730 | 1 | Bush | [X] . 0. 1. 2 |
| 22 | 2511A730 | 1 | Bush | (1) |
| 23 | 3117C071 | 1 | Gear,Balancer | (1) Number of teeth/spines 37 |
| 24 | 33451804 | 1 | Hub | (1) |
| 25 | 2314J606 | 1 | Screw | (1) |
| 26 | 2551A201 | 1 | Bearing Needle | (1) |
| 27 | 3321A002 | 1 | Washer | (1) |
| 28 | 3116K004 | 1 | Weight | (1) Number of teeth/spines 38 |
| 28 | 3116K004 | 1 | Weight | [X] . 0. 1. 2 |
| 29 | 2511A730 | 1 | Bush | (1) |
| 30 | 2511A730 | 1 | Bush | (1) |
| 31 | 4132F041 | 1 | Oil Pump | (1) Repairs and replaces 4132F021 |
| 31 | 4132F041 | 1 | Oil Pump | [X] . 0. 1. 2 |
| 32 | 2314J606 | 1 | Screw | (1) |
| 33 | 2314H012 | 2 | Screw | (1) |
| 34 | 3116W001 | 1 | Gear,Balancer | (1) Number of teeth/spines 24 |
| 35 | 2551A014 | 1 | Bearing Needle | (1) |
| 36 | 33531136 | 1 | Nut | (1) |
| 37 | 3661K001 | 1 | Cover | (1) |
| 38 | 2314C034 | 4 | Screw | (1) |
| 39 | 3764E031 | 1 | Pipe,Oil | |
| 40 | 3683L002 | 1 | Joint | |
| 41 | 2314H006 | 1 | Screw | Repairs and replaces 2315C053 |
| 42 | 2314H012 | 2 | Screw | Repairs and replaces 2315C059 |
| 43 | 0096442 | 1 | Bolt | |
| 44 | 33115129 | 1 | Washer | |
| 45 | 0096441 | 2 | Bolt | |
| 46 | 33115129 | 2 | Washer | |
| 47 | 0096441 | 1 | Bolt | |
| 48 | 33115129 | 1 | Washer | |

MASSEY FERGUSON

MF 384 VQ TRACTOR, CAB, |-> - 3540278

3540278

BALANCER UNIT-A4.236 ENGINE

8

| Item | Part Number | Qty | Description | Comments |
|------|-------------|-----|-------------|----------|
| 49 | 0096439 | 2 | Bolt | |
| 50 | 33115129 | 2 | Washer | |

[X]

QTY PER TRACTORS SOLD (AA.BBB.CCC.DDD) (AA) FOR 1 ,(BBB) 2-10 (CCC)
11-25 (DDD) 26-50



Suggest:

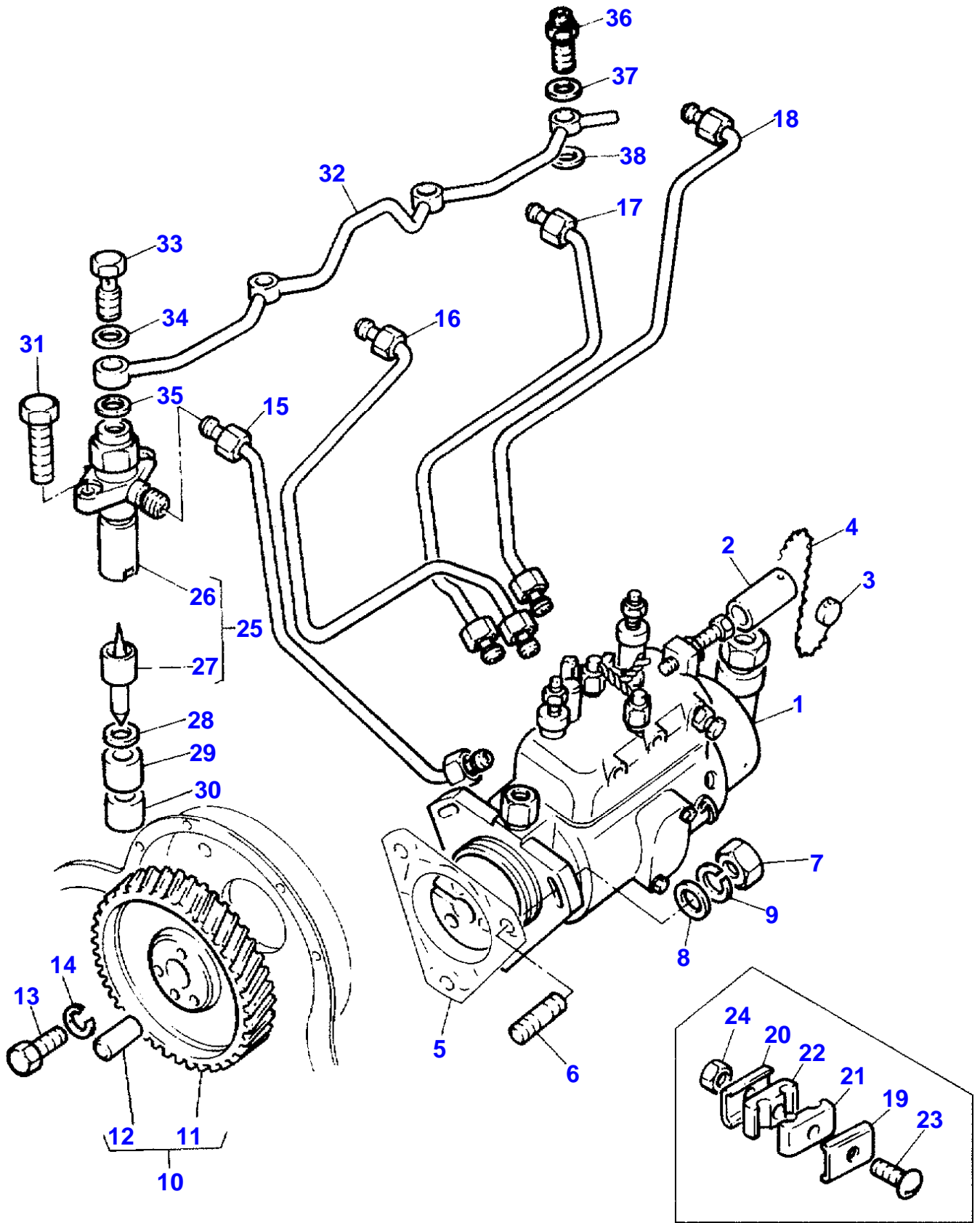
If the above button click is invalid.

Please download this document

first, and then click the above link

to download the complete manual.

Thank you so much for reading



<https://www.ebooklibonline.com>

Hello dear friend!

Thank you very much for reading.

Enter the link into your browser.

The full manual is available for immediate download.

<https://www.ebooklibonline.com>