

Page Title	Page Number
ENGINE ASSEMBLY-A4.236 ENGINE	1
SHORT ENGINE-A4.236 ENGINE	2
CYLINDER BLOCK-A4.236 ENGINE	3
CRANKSHAFT, PISTONS AND CONNECTING RODS-A4.236 ENGINE	4
CYLINDER HEAD-A4.236 ENGINE	5
ROCKER SHAFT-A4.236 ENGINE	6
TIMING GEAR AND CAMSHAFT-A4.236 ENGINE	7
BALANCER UNIT-A4.236 ENGINE	8
FUEL INJECTION EQUIPMENT-A4.236 ENGINE	9
LUBRICATING OIL SUMP-A4.236 ENGINE	10
LUBRICATING OIL FILTER AND INTEGRAL COOLER-A4.236 ENGINE	11
WATER PUMP, THERMOSTAT AND HEAT EXCHANGER-A4.236 ENGINE	12
FUEL SYSTEM AND FILTER-A4.236 ENGINE	13
AIR INDUCTION AND EXHAUST SYSTEM-A4.236 ENGINE	14
ALTERNATOR POSITIONER-A4.236 ENGINE	15
JOINTS AND GASKETS-A4.236 ENGINE	16
LUBRICATING OIL COOLER AND FILTER-A4.236 ENGINE	17
HEATER KIT-COLD CLIMATE	18
ALTERNATOR	19
ALTERNATOR-VALEO TYPE	20
ALTERNATOR-ISKRA TYPE	21
STARTER MOTOR-MARELLI TYPE	22
STARTER MOTOR-BOSCH	23
STARTER MOTOR-ISKRA TYPE	24
COOLING SYSTEM-FAN AND HOSES	25
COOLING SYSTEM-RADIATOR AND BRACKET	26
FUEL SYSTEM	27
FUEL TANK	28
DRY AIR FILTER-DRY AIR CLEANER	29
EXHAUST SYSTEM	30
EXHAUST SYSTEM	31
HAND AND FOOT THROTTLE CONTROLS	32
BATTERY	33
INSTRUMENT PANEL	34
INSTRUMENT PANEL	35
ELECTRICAL WIRING-FRONT	36
ELECTRICAL WIRING-REAR	37
LIGHTING EQUIPMENT	38
LIGHTING EQUIPMENT	39
LIGHTING EQUIPMENT	40
CLUTCH-O.M.G. - 11	41
CLUTCH-LUK - 11	42
CLUTCH-O.M.G. - 12	43
CLUTCH-LUK - 12	44
CLUTCH PEDAL AND LINKAGE	45
LOWER CLUTCH P.T.O.	46
CENTRE AXLE HOUSING AND TRANSMISSION HOUSING	47
CENTRE AXLE HOUSING AND TRANSMISSION HOUSING	48
TRANSMISSION	49
TRANSMISSION	50
SHIFT LEVERS	51
GEAR BOX	52
REDUCER OPTION-FOR SHUTTLE VERSION ONLY.	53
GEAR BOX-FOR SHUTTLE VERSION ONLY.	54
GEAR BOX-FOR SPECIAL OPTIONS VERSION ONLY	55
REDUCER OPTION-OVERDRIVE AND SHUTTLE VERSION	56
REDUCER OPTION-OVERDRIVE AND UNDERDRIVE VERSION	57
REDUCER OPTION-OVERDRIVE AND CREEPER VERSION	58
REDUCER OPTION-UNDERDRIVE AND SHUTTLE VERSION	59
REDUCER OPTION-UNDERDRIVE E CREEPER VERSION	60
REDUCER OPTION-SHUTTLE AND CREEPER VERSION	61
PTO SHAFT-STANDARD TYPE	62
PTO-CONTROL-540 R.P.M. STD	63
PTO SHAFT-540/750/1000 R.P.M.	64
PTO-CONTROL-540/750/1000 R.P.M.	65
TRANSFER GEAR BOX AND DRIVE SHAFT:	66

TABLE OF CONTENT

4 WHEEL DRIVE CONTROLS	67
REAR AXLE	68
REAR AXLE	69
REAR AXLE DIFFERENTIAL LOCK MECHANISM	70
DIFFERENTIAL LOCK CONTROLS	71
DIFFERENTIAL LOCK CONTROLS	72
BRAKE AND CONTROLS	73
BRAKE AND CONTROLS-DEVICE	74
BRAKE AND CONTROLS-PIPINGS	75
BRAKE AND CONTROLS-PIPINGS FRONT	76
BRAKES	77
MASTER CYLINDER-BRAKE PUMP	78
BRAKE CYLINDER	79
REAR WHEELS	80
FRONT WHEELS	81
FRONT AXLE 2 WHEEL DRIVE	82
FRONT AXLE 4 WHEEL DRIVE	83
FRONT AXLE 4 WHEEL DRIVE	84
FRONT AXLE 4 WHEEL DRIVE	85
STEERING HYDRAULIC LINES	86
STEERING HYDRAULIC LINES	87
STEERING HYDRAULIC LINES	88
STEERING ORBITROL UNIT-2 WHEEL DRIVE	89
STEERING ORBITROL UNIT-4 WHEELS DRIVE	90
STEERING-PUMP-TUROLLA	91
STEERING-PUMP-BOSCH	92
STEERING CYLINDER	93
STEERING CYLINDER	94
HYDRAULIC EQUIPMENT-HYDRAULIC LINES STD.	95
HYDRAULIC EQUIPMENT-SINGLE HYDRAULIC LINES	96
HYDRAULIC EQUIPMENT-SINGLE HYDRAULIC LINES	97
HYDRAULIC PUMP-TUROLLA	98
HYDRAULIC PUMP-BOSCH	99
HYDRAULIC PUMP-BOSCH	100
HYDRAULIC PUMP-TUROLLA	101
HYDRAULIC LIFT VALVE-WITH MECHANICS RISER	102
HYDRAULIC LIFT-WITH MECHANICS RISER	103
HYDRAULIC LIFT-WITH MECHANICS RISER	104
HYDRAULIC LIFT-WITH ELECTRONIC LIFT	105
HYDRAULIC LIFT-WITH ELECTRONIC LIFT	106
ELECTRICAL WIRING-WITH ELECTRONIC LIFT	107
HYDRAULIC LIFT VALVE-WITH ELECTRONIC LIFT	108
ELECTRICAL WIRING-CONTROL PANEL	109
ELECTRONIC LIFT	110
MECHANICAL CONTROL LIFT	111
MECHANICAL CONTROL LIFT	112
MECHANICAL CONTROL LIFT	113
AUXILIARY HYDRAULIC VALVE LINES	114
AUXILIARY HYDRAULIC VALVE LINES	115
PLATE FOR AUXILIARY HYDRAULIC VALVE-HIDROIRMA TYPE.	116
AUXILIARY HYDRAULICS VALVE STANDARD-HYDROIRMA TYPE STANDARD	117
AUXILIARY HYDRAULICS FLOATING-HYDROIRMA TYPE FLOATING	118
AUXILIARY HYDRAULIC VALVE LINES	119
AUXILIARY HYDRAULICS-CONTROL WITH 1.0 AND 2.0 DISTRIBUTOR.	120
AUXILIARY HYDRAULIC VALVE LINES-SINGLE HYDRAULIC LINES	121
AUXILIARY HYDRAULICS VALVE-TILL TYPE STANDARD	122
AUXILIARY HYDRAULICS VALVE-TILL TYPE FLOATING	123
LINKAGE	124
LINKAGE-MECANICS LIFT CYLINDER RIGTH	125
HYDRAULIC LIFT CYLINDER-HYDRAULIC LIFT CYLINDER,WITH 1'AND 2'AUXIL.HYD	126
LINKAGE	127
SHEET METAL	128
SHEET METAL	129
SIDE COVER-SHIELD FAN	130
SHEET METAL	131
DECALS	132
DECALS	133
DECALS	134

TABLE OF CONTENT

FENDERS - FRONT	135
FENDERS AND PLATFORM	136
FENDERS AND PLATFORM	137
REAR SHEET METAL	138
SEAT	139
SEAT	140
SEAT	141
SAFETY FRAME	142
ROTATING LIGHT	143
WEIGHT FRAME AND WEIGHTS W	144
HITCH CONNECTIONS-WITHOUT HITCH	145
REAR HOOK	146
DRAWBAR-HEAVY DUTY	147
DRAWBAR-	148
TOOL KIT	149
SEALERS AND LIQUID GASKETS ADHESIES	150
REDUCER OPTION	151
REDUCER OPTION-SHUTTLE AND CREEPER VERSION	152
REDUCER OPTION-OVERDRIVE AND CREEPER VERSION	153
REAR HOOK	154

**<https://www.ebooklibonline.com>**

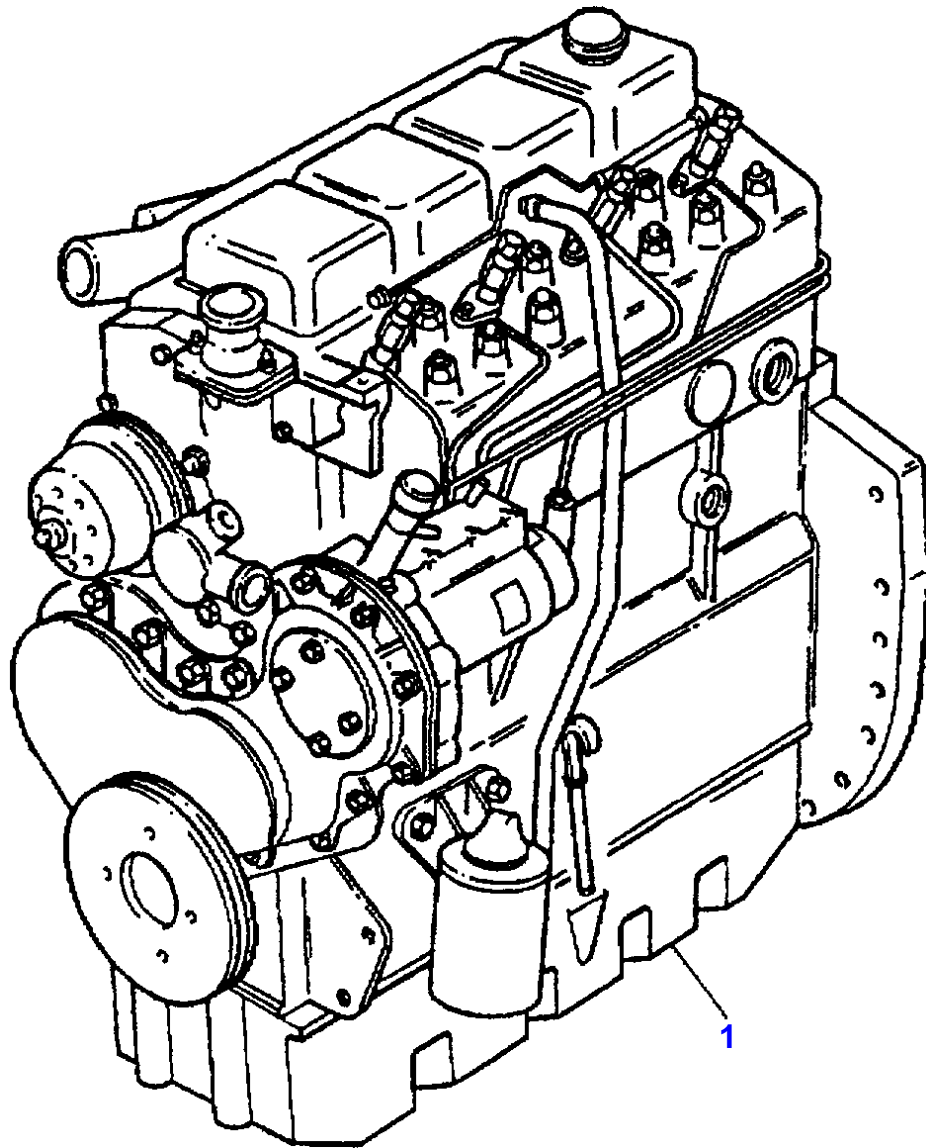
Hello dear friend!

Thank you very much for reading.

Enter the link into your browser.

The full manual is available for immediate download.

**<https://www.ebooklibonline.com>**



MASSEY FERGUSON

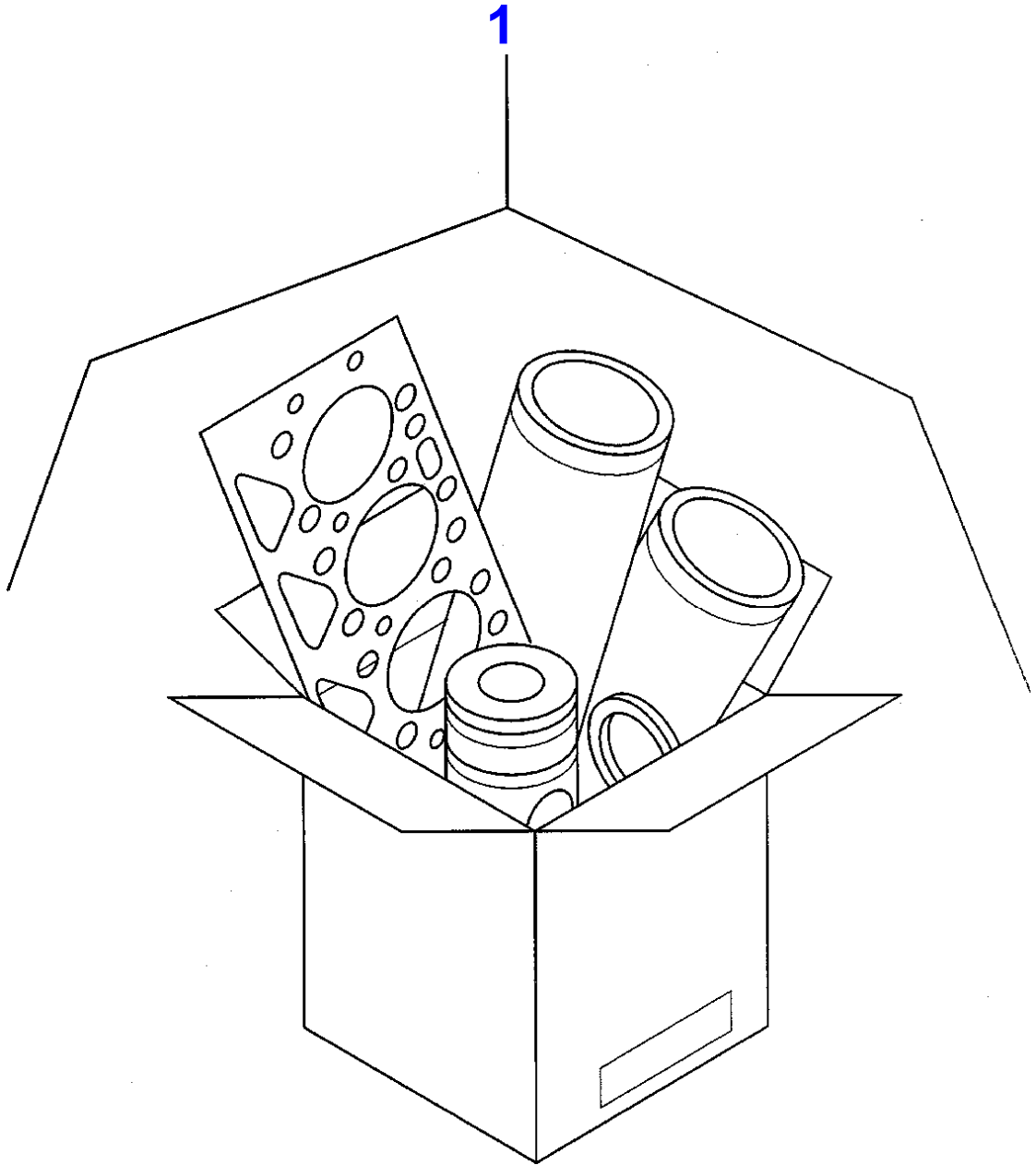
MF 384 V FOOTSTEP TRACTOR - 3540307

3540307

ENGINE ASSEMBLY-A4.236 ENGINE

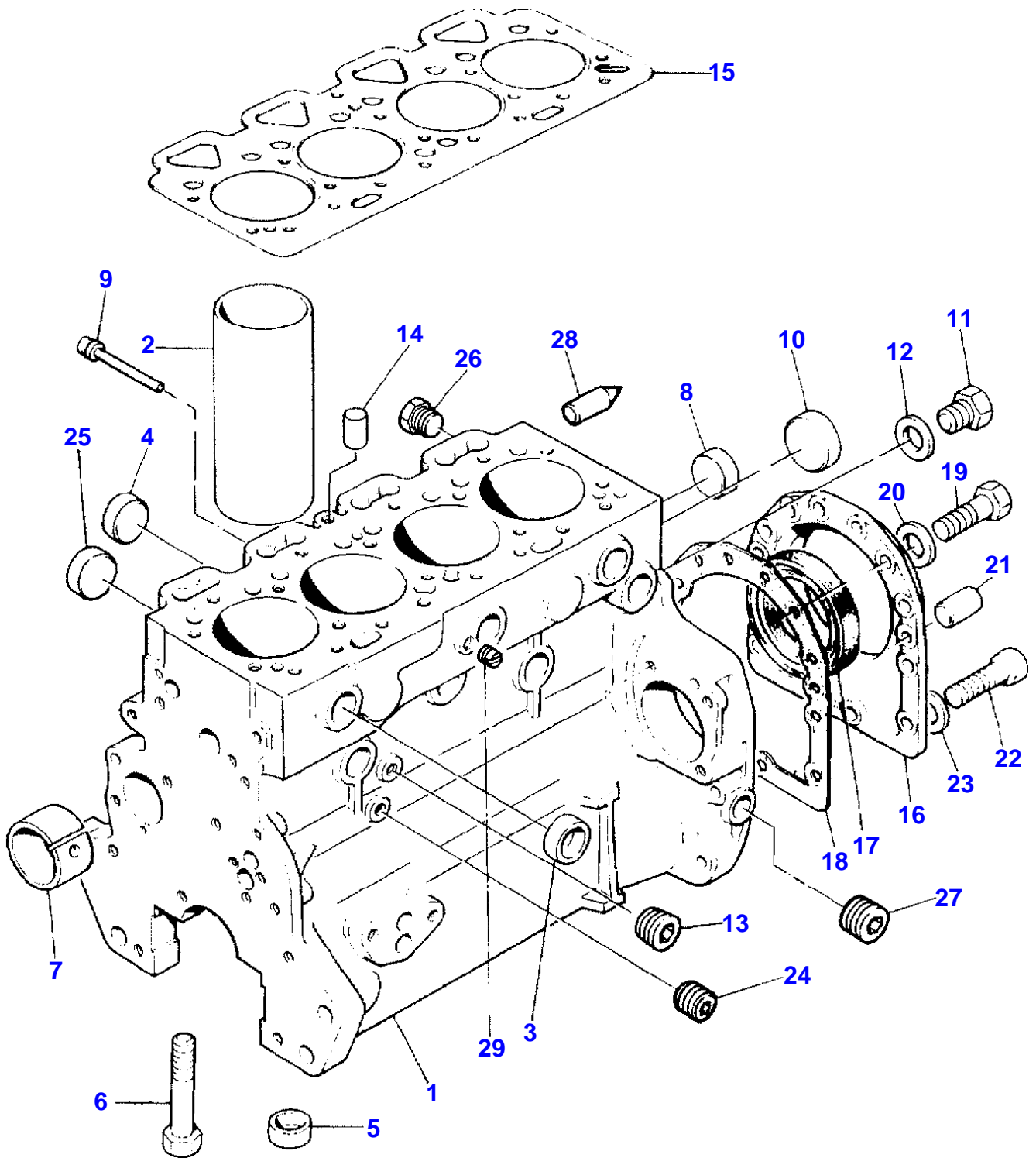
1

Item	Part Number	Qty	Description	Comments
1	3553122M91	1	Engine	"LD31200" PK



SHORT ENGINE-A4.236 ENGINE

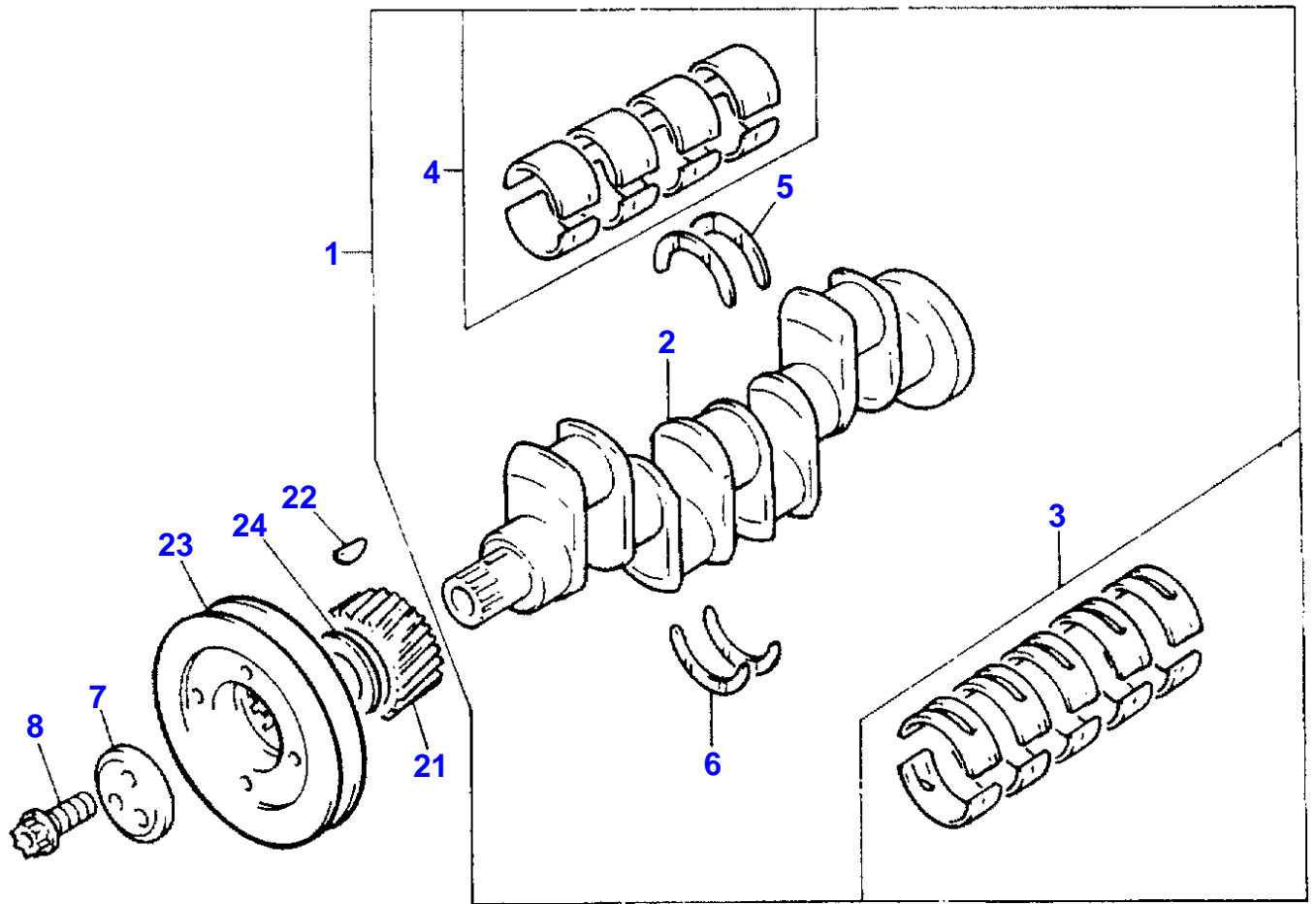
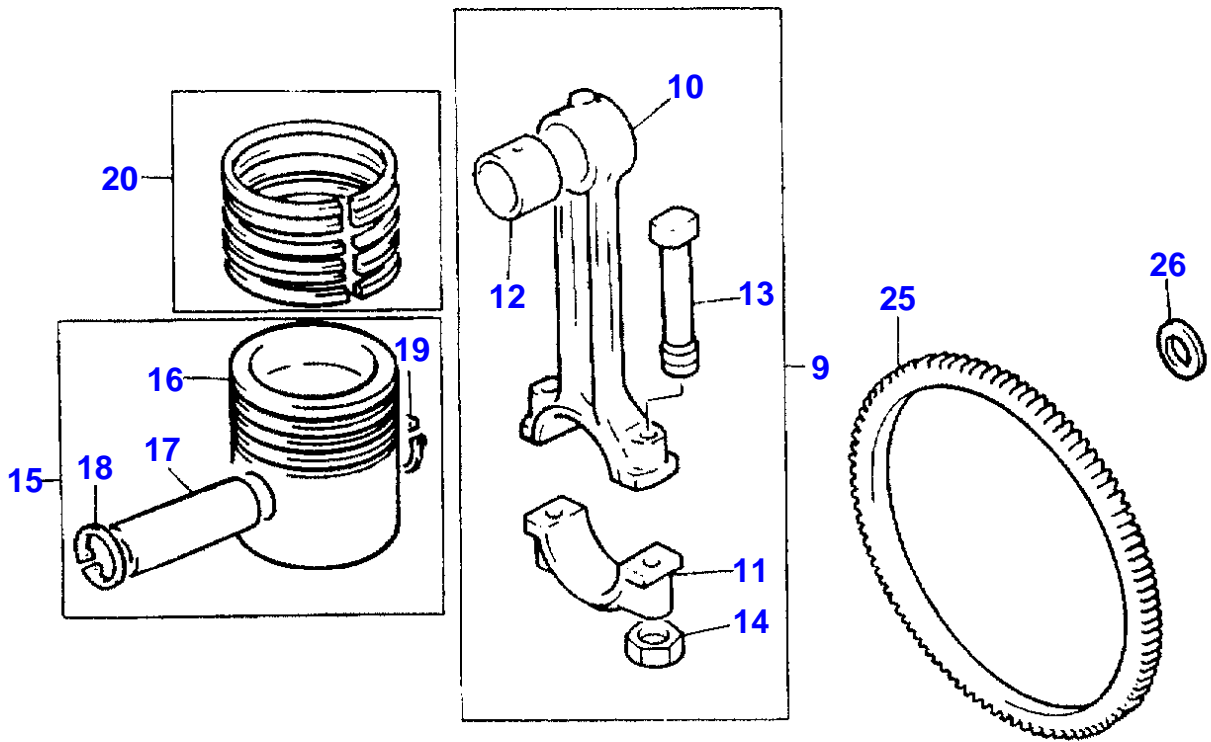
Item	Part Number	Qty	Description	Comments
1	LD39336	1	SHORT ENGINE	"LD39303"
2		1		[A] (1)
		4		(1)
		1		(1)
		4		(1)
		4		(1)
		4		(1)
		10		(1)
		8		(1)
		4		(1)
		1		(1)
		1	HOUSING	(1)
		22		(1)
		1		(1)
				[A]
				COMPLETE WITH PLUGS



CYLINDER BLOCK-A4.236 ENGINE

Item	Part Number	Qty	Description	Comments
1	ZZ50226	1	KIT	
2	3135X031	4	Liner	[A] (1)
	3135X032	X	Liner	[B]
3	0650710	6	Plug	(1)
4	32418122	4	Plug	(1)
5	33142111	10	Thimble	(1)
6	32166329	10	Bolt	(1)
7	31134165	1	BUSH	(1)
8	0650710	2	Plug	(1)
9	2485A204	1	Plug	(1)
10	32416119	1	PLUG	(1)
11	32168212	1	PLUG	(1)
12	3311R003	1	Washer	(1)
13	0650588	2	Plug	(1)
14	32417134	1	Plug	
15	3681E034	1	GASKET	
16	4142V066	1	FLANGE	
17	2418F475	1	Seal	(16)
18	3681T012	1	GASKET	
19	0746211	12	Bolt	
20	390972X1	12	Washer Metric	
21	0350009	2	Dowel	
22	2172530	2	Capscrew	
23	33112111	2	Washer	
24	0650594	1	Plug	
25	32416118	4	PLUG	
26	32161114	2	Plug	
27	0650588	1	Plug	
28	32452113	1	Pointer	
29	32114143	1	Plug	

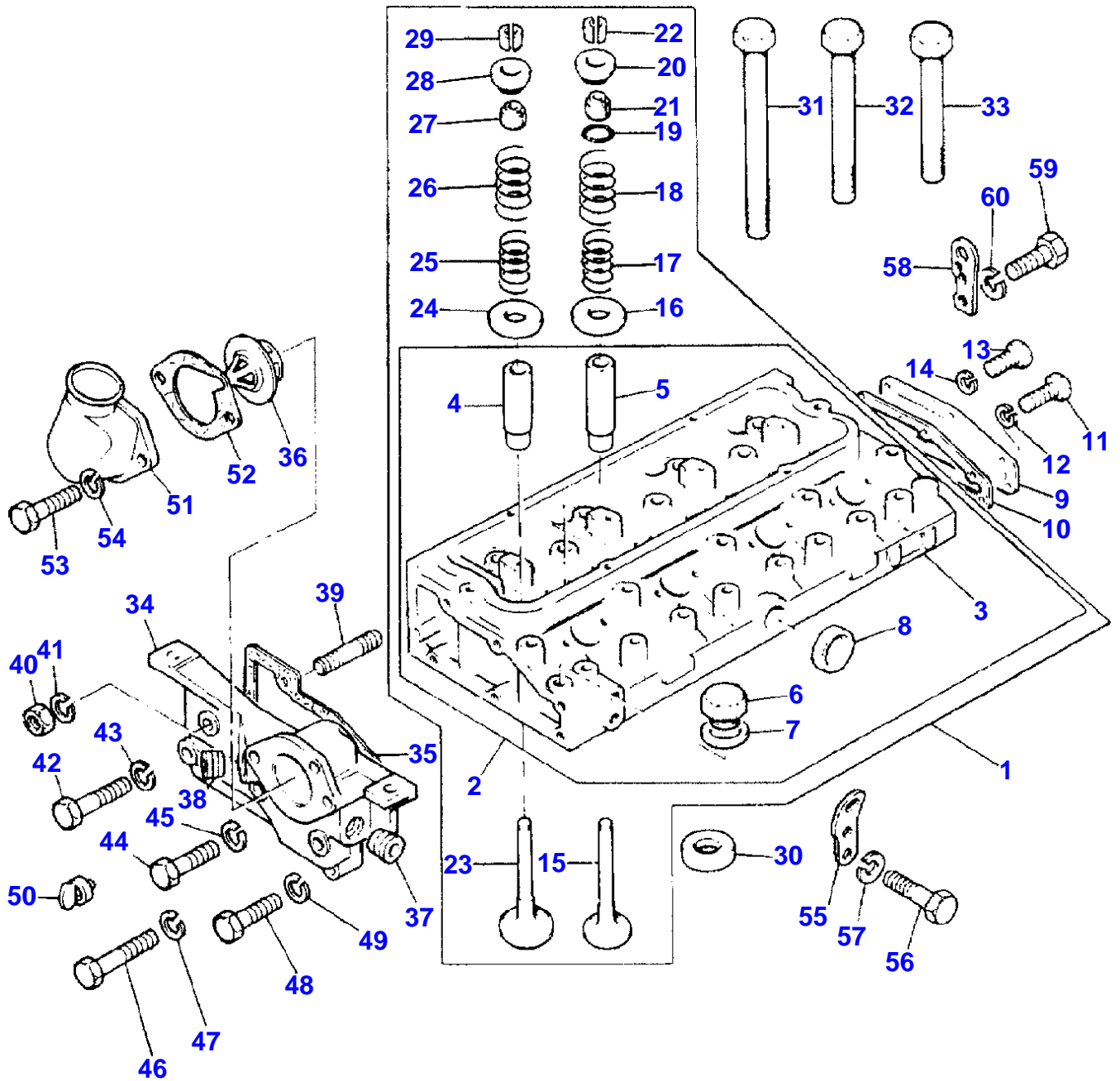
[A]  
PRESS FIT  
[B]  
SLIP FIT



CRANKSHAFT, PISTONS AND CONNECTING RODS-A4.236 ENGINE

Item	Part Number	Qty	Description	Comments
1	ZZ90081	1	Kit, Crankshaft	
2		1		(1) Not serviced, order REF.1
3	81558	1	Kit, Bearing	[A] (1)
	81558A	X	Kit, Bearing	[A] Thickness (-)0.25MM Thickness (-)0.010
3	81558B	X	Kit, Bearing	[A] Thickness (-)0.50MM Thickness (-)0.020
3	81558C	X	Kit, Bearing	[A] Thickness (-)0.75MM Thickness (-)0.030
4	85042	1	Kit, Bearing	[A] (1)
	85042A	X	Kit, Bearing	[A] Thickness (-)0.25MM Thickness (-)0.010
4	85042B	X	Kit, Bearing	[A] Thickness (-)0.50MM Thickness (-)0.020
4	85042C	X	Kit, Bearing	[A] Thickness (-)0.75MM Thickness (-)0.030
5	31137551	2	Thrust Washer	(1)
	31137312	X	Thrust Washer	Thickness (+)0.19MM Thickness (+)0.0075
6	31137561	2	Thrust Washer	(1)
	31137322	X	Thrust Washer	Thickness (+)0.19MM Thickness (+)0.0075
7	3242T001	1	Thrust Block	[D]
8	32186139	3	Screw	[D]
9	ZZ90009	4	Kit, Conrod	
10		1	CONROD	(9) Not serviced, order REF.9
11		1		(9) Not serviced, order REF.9
12	31134123	1	Bush	(9)
13	32762145	1	SCREW	(9)
14	33221328	1	Nut	(9)
15	U5LU0025	4	Kit, Piston	[B]
	U5LP0035	4	Kit, Piston	[C]
16		1	PISTON	(15) Not serviced, order REF.15
17		1		(15) Not serviced, order REF.15
18	0170002	1	Circlip	(15)
19	0170002	1	Circlip	(15)
20	41158041	4	Kit, Piston Ring	
21	31171681	1	Gear,Crankshaft	Number of teeth/spines 28
22	0500012	1	Woodruff Key	
23	31148798	1	Pulley,Crank	
24	33125416	1	Washer	[E]
25	3552228M1	1	CROWNWHEEL	Number of teeth/spines 115
26	33117127	6	Washer	

[A]  
PRE-FINISHED  
[C]  
PRE-TOPPED  
[B]  
UNTOPPED  
[D]  
NOT SUPPLIED WITH ASSEMBLY  
[E]  
USED ONLY WITH 31148797



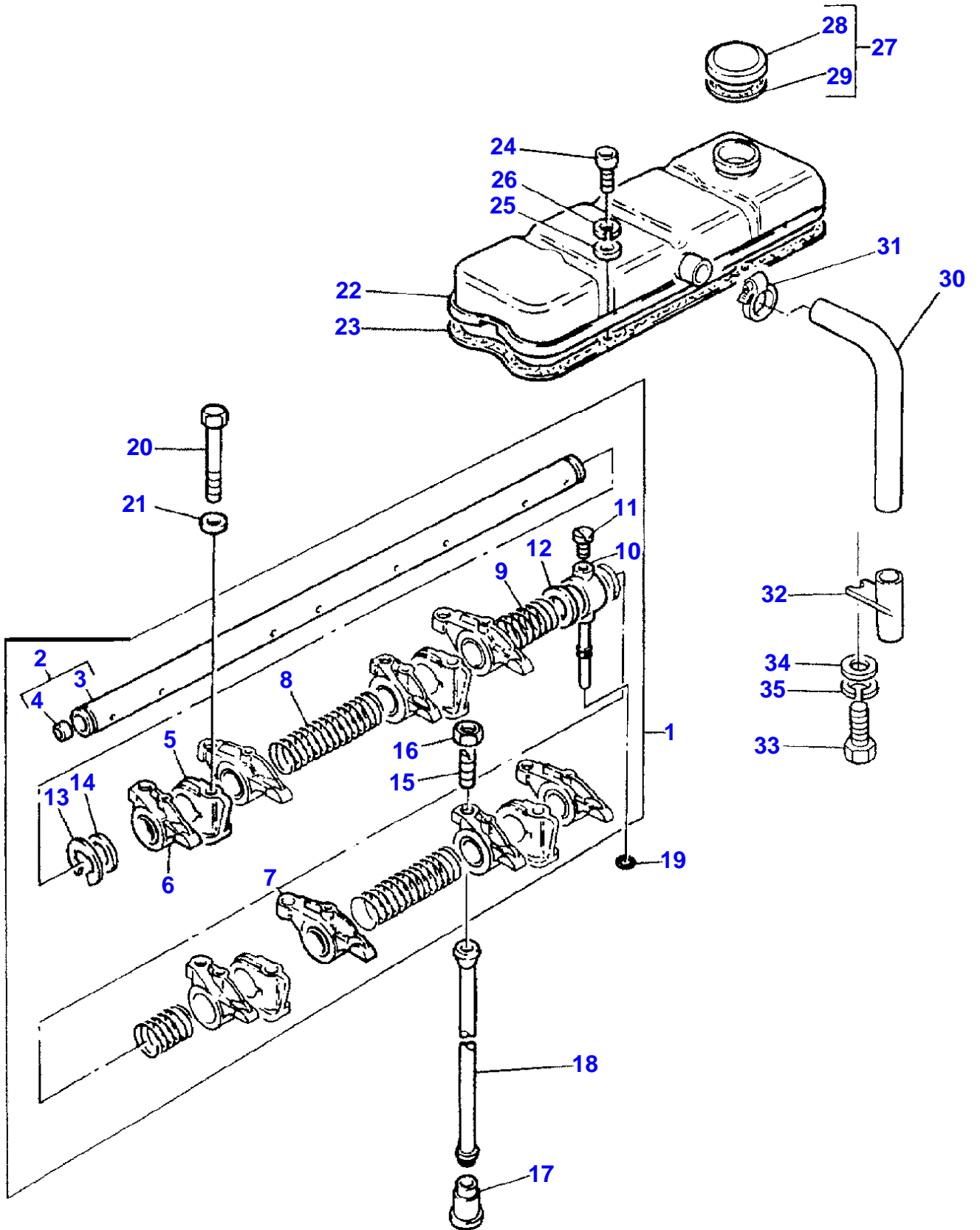
CYLINDER HEAD-A4.236 ENGINE

Item	Part Number	Qty	Description	Comments
1	ZZ80175	1	CYLINDER HEAD	
2	ZZ80176	1	CYLINDER HEAD	[F] (1)
3		1		(2) Not serviced, order REF.2
4	3343F031	4	GUIDE	[C] (2)
5	3343J002	4	Guide	[C] (2)
6	0650203	1	Plug	(2)
7	2411157	1	Washer	(2)
8	0650710	1	Plug	(2)
9	3623K007	1	Plate	
10	3687M018	1	GASKET	
11	0746452	2	Setscrew	
12	0920054	2	Washer	
13	2183205	4	Screw	
14	0920053	4	Washer	
15	31431881	4	Valve Exhaust	[D, G] Alternative 31431886
15	3142A052	4	Valve Exhaust	[C, H] (1)
	31431882	X	Valve Exhaust	[B, G] Thickness (+) 0,003
15	3142A053	X	Valve Exhaust	[B, H] Thickness (+) 0.003
15	31431883	X	Valve Exhaust	[B, G] Thickness (+) 0,015
15	3142A054	X	Valve Exhaust	[B, H] Thickness (+) 0,015
15	31431884	X	Valve Exhaust	[B, G] Thickness (+) 0,030
15	3142A055	X	Valve Exhaust	[B, H] Thickness (+) 0,030
16	33415118	4	Washer	(1)
17	31744131	4	Spring	[J] (1)
	31744133	4	Spring	[K] (1)
18	31745121	4	Spring	[J] (1)
	31745122	4	Spring	[K] (1)
19	2415B201	4	O Ring	[J] (1)
20	33423147	4	Cap	[J] (1)
	33424107	4	Cap	[K] (1)
21	33817117	4	Seal	(1)
22	33173108	8	Cotter	[A] (1)
23	31431641	4	Valve Inlet	[D] (1)
	31431315	4	Valve Inlet	[E] (1)
	31431401	X	Valve Inlet	[B, D] Thickness (+) 0.003
23	31431316	X	VALVE	[B, E] Thickness (+) 0.003
23	31431402	X	Valve Inlet	[B, D] Thickness (+) 0,015
23	31431317	X	VALVE	[B, E] Thickness (+) 0,015
23	31431403	X	Valve Inlet	[B, D] Thickness (+) 0,030
23	31431318	X	VALVE	[B, E] Thickness (+) 0,030
24	33415118	4	Washer	(1)
25	31744131	4	Spring	[J] (1)
	31744133	4	Spring	[K] (1)
26	31745121	4	Spring	[J] (1)
	31745122	4	Spring	[K] (1)
27	33817117	4	Seal	(1)
28	33423147	4	Cap	[J] (1)
	33424107	4	Cap	[K] (1)
29	33173108	8	Cotter	[A] (1)
30	33152153	4	Insert	(1)
31	32166337	2	Screw	
32	32166338	12	Bolt	
33	32166339	8	Screw	
34	37762705	1	Body	

CYLINDER HEAD-A4.236 ENGINE

Item	Part Number	Qty	Description	Comments
34	3545576M1	1	BODY	[B]
35	3685F005	1	GASKET	
36	2485659	1	Thermostat	
37	2431154	1	Plug	
38	2431154	1	Plug	
39	2217202	1	Stud	
40	2188135	1	Nut	
41	0920054	1	Washer	
42	0096238	1	Bolt	
43	0920053	1	Washer	
44	0096439	1	Bolt	
45	0920054	1	Washer	
46	2183205	2	Screw	
47	0920053	2	Washer	
48	0746459	2	SCREW	
49	0920054	2	Washer	
50	2485791	1	Pin	
51		1		[I]
52	36862225	1	GASKET	
53	0746458	2	SCREW	
54	0920054	2	Washer	
55	3648C004	1	Plate	
56	353537X1	2	Screw Unf	
57	0920054	2	Washer	
58	36177111	1	Plate	
59	353537X1	2	Screw Unf	
60	0920054	2	Washer	

[A]  
 SERVICED IN PAIRS  
 [G]  
 USED ONLY WITH ZZ80015/ZZ80072 ..  
 [B]  
 WITH CONDITIONED AIR  
 [E]  
 USED ONLY WITH ZZ80062/ZZ80072 (CYLINDER HEAD)  
 [K]  
 USED ONLY WITH ZZ80072  
 [F]  
 MINOR ASSEMBLY  
 [C]  
 REMOVE AND FIT 31431881  
 [D]  
 FITTED IN PLACE OF EXHAUST VALVES SUPPLIED WITH CY LINDER HEAD  
 ASSEMBLY  
 [I]  
 NOT SUPPLIED BY PERKINS ENGINES LIMITED.  
 [J]  
 USED ONLY WITH ZZ80015/ZZ80062  
 [H]  
 USED ONLY WITH ZZ80062



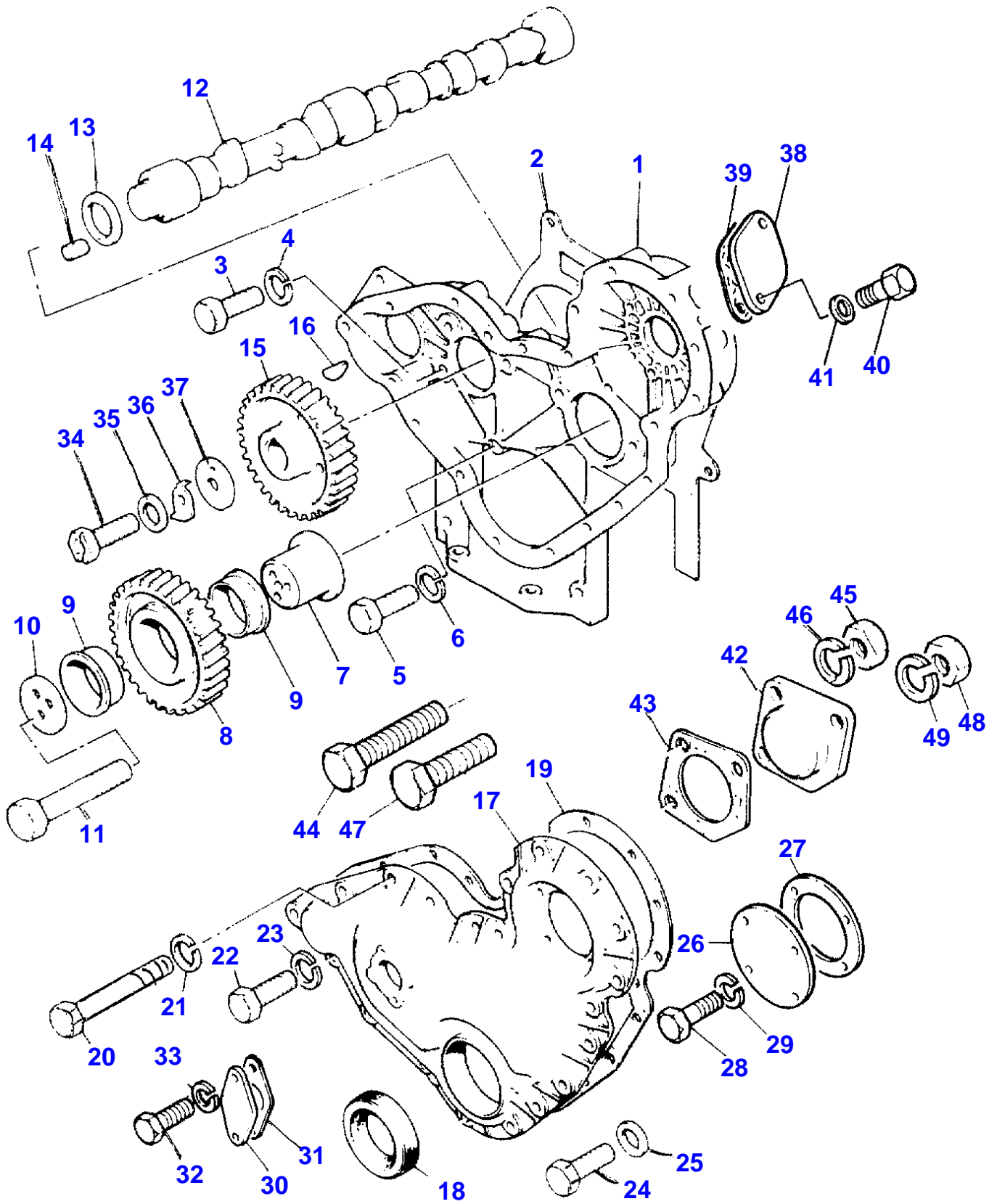
ROCKER SHAFT-A4.236 ENGINE

Item	Part Number	Qty	Description	Comments
1	ZZ90158	1	SHAFT	
2	ZZ90032	1	Rocker Shaft	(1)
3		1	SHAFT	(2) Not serviced, order REF.2
4	0650507	2	Plug	(2)
5	3818X901	4	Bracket	(1)
6	41151484	4	LEVER	(1) Right Hand
7	41151483	4	LEVER	(1) Left Hand
8	31744123	2	Spring	(1)
9	31743108	2	Spring	(1)
10	3775E012	1	Connection	[A] (1)
11	2231236	1	Setscrew	[B]
	2233022	1	Screw	[C] (1)
12	33117426	2	Shim	(1)
13	0170151	2	Circlip	(1)
14	33117434	2	Washer	(1)
15	0720579	8	Screw	(1)
16	0576052	8	Nut	(1)
17	3142U031	8	TAPPET	
18	31434307	8	Pushrod	
19	376525X1	1	Olive	
20	0096634	4	Screw	
21	0920006	4	Washer	
22	37188141	1	COVER	
23	3681A027	1	Joint	
24	2172513	4	Screw	
25	0920002	4	Washer	
26	0920052	4	Washer	
27	2487845	1	Cap	
28		1		(27) Not serviced, order REF.27
29	24870002	1	Joint	(27)
30	33872516	1	Pipe,Breather	
31	21825195	1	Clip	
32	35731144	1	Pipe,Breather	
33	0096215	1	Screw	Up to Serial or Engine Number U226708S
	2187333	1	Screw	From Serial or Engine Number U226709S
34	390972X1	1	Washer Metric	
35	0920053	1	Washer	Up to Serial or Engine Number U226708S

[A]  
WAS 3775E011 USE 3775E012/2233022.

[B]  
USED ONLY WITH 3775E011

[C]  
USED ONLY WITH 3775E012



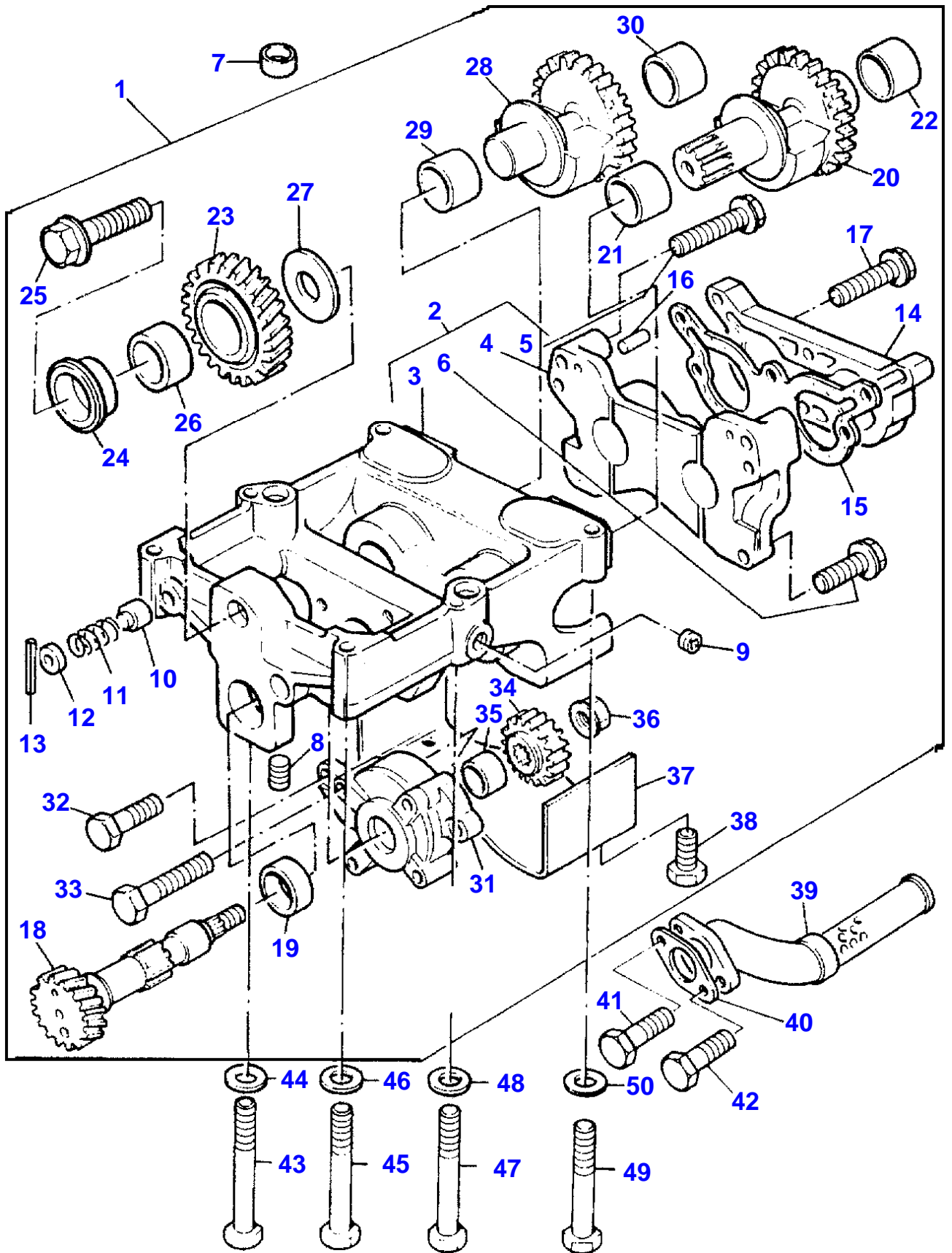
**MASSEY FERGUSON****MF 384 V FOOTSTEP TRACTOR - 3540307**

3540307

**TIMING GEAR AND CAMSHAFT-A4.236 ENGINE**

7

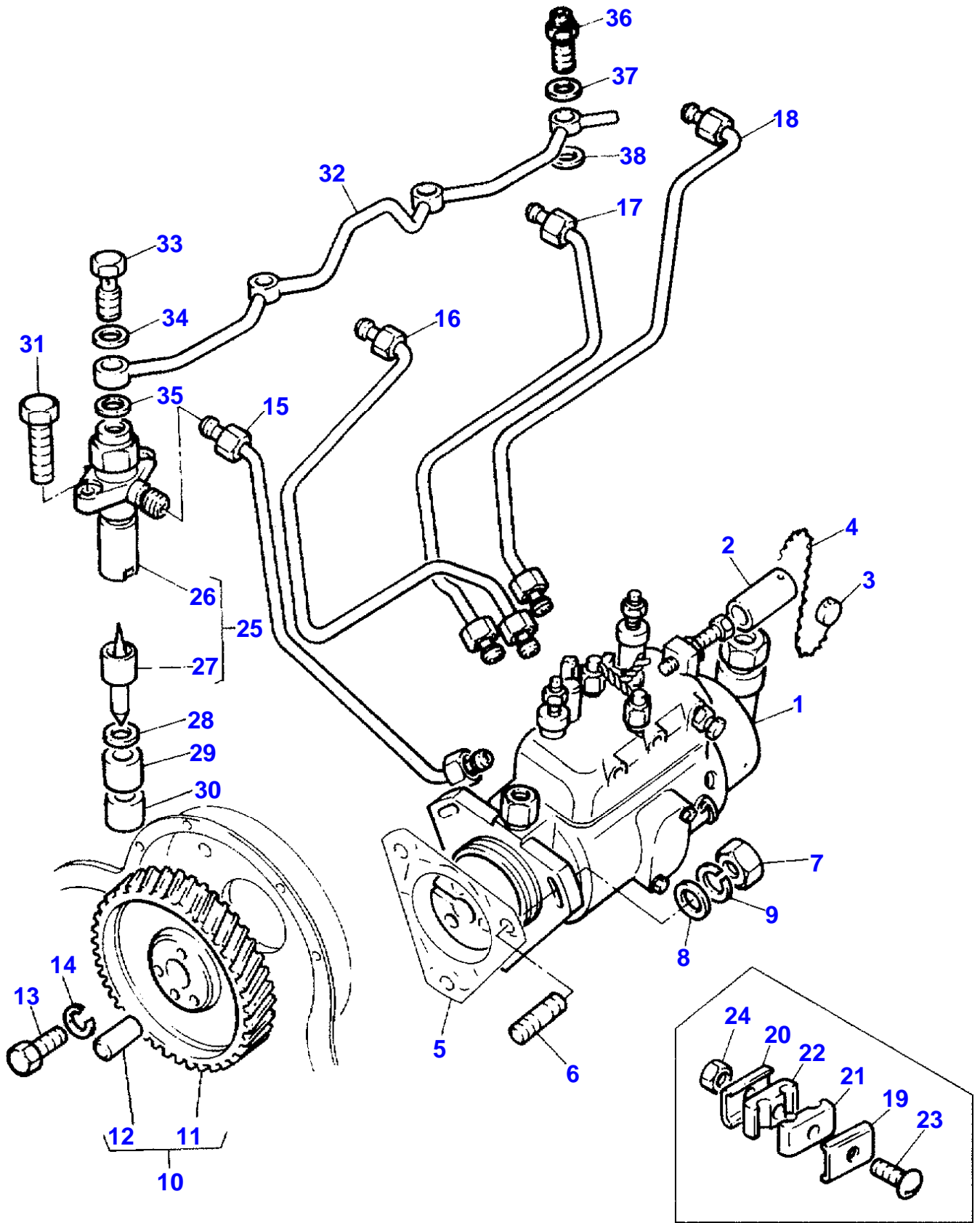
Item	Part Number	Qty	Description	Comments
1	37161642	1	Body	
2	36814162	1	GASKET	
3	2183205	8	Screw	
4	0920053	8	Washer	
5	0746211	1	Bolt	
6	0920053	1	Washer	
7	33426161	1	Hub	
8	41115023	1	Idler	Number of teeth/spines 63
9	0050345	2	Bush	(8)
10	3241H009	1	PLATE	
11	2184634	3	Screw	
12	31415374	1	Camshaft	
13	33153121	1	Washer	
14	2116053	1	Pin	
15	3117L012	1	GEAR	Number of teeth/spines 56
16	0500012	1	Woodruff Key	
17	4142A041	1	COVER	
18	2418F436	1	Seal	
19	3681P015	1	GASKET	
20	0096238	4	Bolt	
21	0920053	4	Washer	
22	2183205	10	Screw	
23	0920053	10	Washer	
24	2183205	4	Screw	
25	0920053	4	Washer	
26	3241H004	1	Plate	
27	33825427	1	GASKET	
28	2183203	4	Screw	
29	0920053	4	Washer	
30	36171121	1	Plate	
31	36833163	1	GASKET	
32	2183104	2	Screw	
33	0920052	2	Washer	
34	32161217	1	Screw	
35	33115408	1	Washer	
36	31733121	1	Washer	
37	33153128	1	Washer	
38	36235118	1	PLATE	
39	36862199	1	GASKET	
40	2183204	2	Screw	
41	0920053	2	Washer	
42	37556148	1	Plate	
43	36861466	1	GASKET	
44	0748505	1	Screw	
45	2238153	1	Nut	
46	0920054	1	Washer	
47	2232151	2	Screw	
48	2238153	2	Nut	
49	0920054	2	Washer	



BALANCER UNIT-A4.236 ENGINE

Item	Part Number	Qty	Description	Comments
1	4111K051	1	Balancer	
2	4145L007	1	Frame	(1)
3		1		(2)
				Not serviced, order REF.N.2
4		1		(2)
				Not serviced, order REF.N.2
5	2315C052	2	Screw	(2)
6	2315C052	2	Screw	(2)
7	33137408	2	Thimble	[A]
8	32558314	1	Plug	(1)
9	2431A054	1	Plug	(1)
10	3272E005	1	Plunger	(1)
11	3174D004	1	Spring	(1)
12	3342A611	1	Cap	(1)
13	2116A056	1	Pin	(1)
14	3753R221	1	Cover	(1)
15	3687M006	1	Joint	[B] (1)
16	0350042	2	Dowel	(1)
17	2315C052	4	Screw	(1)
18	3117V003	1	Shaft	(1)
				Number of teeth/spines 21
19	2551A009	1	Bearing Needle	(1)
20	3116K014	1	Weight	(1)
				Number of teeth/spines 16/38
21	2511A730	1	Bush	(1)
22	2511A730	1	Bush	(1)
23	3117C071	1	Gear,Balancer	(1)
				Number of teeth/spines 37
24	33451804	1	Hub	(1)
25	2314J606	1	Screw	(1)
26	2551A201	1	Bearing Needle	(1)
27	3321A002	1	Washer	(1)
28	3116K004	1	Weight	(1)
				Number of teeth/spines 38
29	2511A730	1	Bush	(1)
30	2511A730	1	Bush	(1)
31	4132F041	1	Oil Pump	(1)
32	2314H004	1	Screw	(1)
33	2314H012	2	Screw	(1)
34	3116W001	1	Gear,Balancer	(1)
				Number of teeth/spines 24
35	2551A014	1	Bearing Needle	(1)
36	33531136	1	Nut	(1)
37	3661K001	1	Cover	(1)
38	2314C034	4	Screw	(1)
39		1		
40		1	GASKET	
41		1		
42		1	SCREW	
43	2185551	1	SCREW	[E]
44	33115129	1	Washer	
45	2185549	2	SCREW	[C]
46	33115129	2	Washer	
47	2185549	1	SCREW	[C]
48	33115129	1	Washer	
49	2185545	2	SCREW	[D]
50	33115129	2	Washer	

[B]  
 USED ONLY WITH 3753R061.  
 [C]  
 WAS 0096441, USE 2185549-3/2185551-1/2185545-2. .  
 [D]  
 WAS 0096439, USE 2185545-2/2185549-3/2185551-1. .  
 [E]  
 WAS 0096442, USE 2185551-1/2185549-3/2185545-2. .  
 [A]  
 NO LONGER INCLUDED IN ASSEMBLY.



FUEL INJECTION EQUIPMENT-A4.236 ENGINE

Item	Part Number	Qty	Description	Comments
1	38377	1	Injection Pump	[A] Up to Serial or Engine Number U208937P
1	2643C278	1	Injection Pump	[A, X] From Serial or Engine Number U208938P . 1. 2. 4
2	3281M002	1	SLEEVE	
3	31718104	1	Seal	
4	31718105	1	Wire	
5	3687H011	1	GASKET	
6	2217139	3	Stud	
7	0576002	3	Nut	
8	390972X1	3	Washer Metric	
9	0920053	3	Washer	
10	41115136	1	Gear,Fuel Pump	Number of teeth/spines 56
11		1		(10) Not serviced, order REF.10
12	0350010	1	Dowel	(10)
13	353517X1	3	Screw Unf	
14	0920053	3	Washer	
15	35343136	1	PIPE	[X] NO.1 CYL. . 1. 2. 4
16	35343137	1	NOZZLE	[X] NO.2 CYL. . 1. 2. 4
17	35343138	1	PIPE	[X] NO.3 CYL. . 1. 2. 4
18	35343139	1	PIPE	[X] NO.4 CYL. . 1. 2. 4
19	733869M1	2	Channel	
20	733869M1	2	Channel	
21	733868M1	2	Clip	
22	733868M1	2	Clip	
23	0726505	2	Setscrew	
24	2211401	2	Nut	
25	2645L003	4	ATOMISER	[X] . 4. 8. 16
26	2646460	1	Holder	(25)
27	2646842	1	Nozzle	[X] (25) . 8. 16. 16
28	0921173	4	Washer	[X] . 8. 16. 16
29	33813129	4	Spacer	[X] . 4. 8. 16
30	33813131	4	Seal	[X] . 8. 16. 16
31	0746259	8	SCREW	
32	3558X011	1	Leak-Off Pipe	[X] . 1. 2. 4
33	0095315	3	Banjo Bolt	
34	0920107	3	Washer	[X] . 0. 8. 16
35	0920107	3	Washer	
36	0201526	1	Union	
37	0920107	1	Washer	
38	0920107	1	Washer	

[A]  
COMPONENT PARTS SUPPLIED BY C.A.V. LTD  
[X]  
QTY PER TRACTORS SOLD (AA.BBB.CCC.DDD) (AA) FOR 1 ,(BBB) 2-10 (CCC)  
11-25 (DDD) 26-50

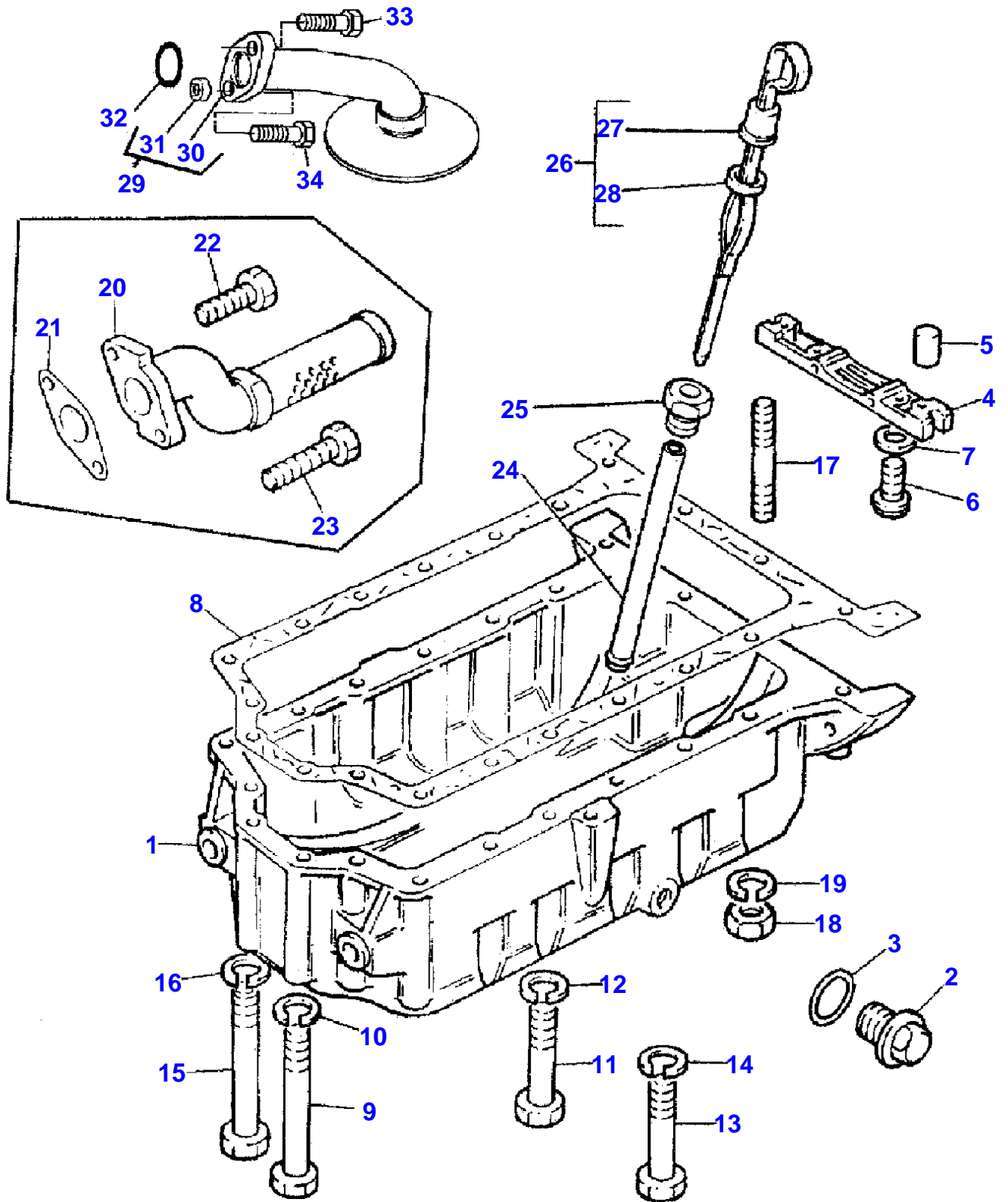


**Suggest:**

**If the above button click is invalid.**

**Please download this document first, and then click the above link to download the complete manual.**

**Thank you so much for reading**



**<https://www.ebooklibonline.com>**

Hello dear friend!

Thank you very much for reading.

Enter the link into your browser.

The full manual is available for immediate download.

**<https://www.ebooklibonline.com>**