

Page Title	Page Number
ENGINE - A4.236 ENGINE	1
CYLINDER BLOCK - A4.236 ENGINE	2
CRANKSHAFT, PISTONS AND CONNECTING RODS - A4.236 ENGINE	3
CYLINDER HEAD - A4.236 ENGINE	4
ROCKER SHAFT - A4.236 ENGINE	5
AIR INDUCTION AND EXHAUST SYSTEM - A4.236 ENGINE	6
TIMING GEAR AND CAMSHAFT - A4.236 ENGINE	7
FUEL INJECTION EQUIPMENT (DIESEL) - A4.236 ENGINE	8
LUBRICATING OIL SUMP - A4.236 ENGINE	9
BALANCER UNIT - A4.236 ENGINE	10
LUBRICATING OIL FILTER AND INTEGRAL COOLER - A4.236 ENGINE	11
WATER PUMP, THERMOSTAT AND HEAT EXCHANGER - A4.236 ENGINE	12
LOW PRESSURE FUEL SYSTEM - A4.236 ENGINE	13
ALTERNATOR POSITIONER - A4.236 ENGINE	14
JOINTS AND GASKETS - A4.236 ENGINE	15
STAND - WITH SPACER	16
ALTERNATOR - VALEO TYPE	17
ALTERNATOR-LUCAS	18
STARTER-LUCAS	19
STARTER MOTOR - MARELLI	20
COOLING SYSTEM-ENGINE - FAN AND HOSES	21
COOLING SYSTEM - RADIATOR AND BRACKET	22
FUEL SYSTEM-FUEL FILTER	23
FUEL SYSTEM-FUEL TANK AND ATTACHMENTS	24
AIR FILTER-DRY - DUAL ELEMENT - DRY AIR CLEANER	25
EXHAUST SYSTEM-VERTICAL	26
EXHAUST SYSTEM-HORIZONTAL	27
THROTTLE CONTROLS	28
ELECTRICAL WIRING	29
BATTERY	30
INSTRUMENT PANEL AND INSTRUMENTS	31
INSTRUMENT PANEL AND INSTRUMENTS	32
HEATER KIT-ENGINE	33
CLUTCH-DUAL CLUTCH - LUK - 11	34
CLUTCH-DUAL CLUTCH - O.M.G. - 11	35
CLUTCH PEDAL AND LINKAGE	36
CENTRE AXLE HOUSING AND TRANSMISSION HOUSING	37
12 SPEED TRANSMISSION - STANDARD VERSION	38
12 SPEED TRANSMISSION - STANDARD VERSION	39
SHIFT LEVERS-12 SPEED TRANSMISSION	40
SHIFT LEVERS-12 SPEED TRANSMISSION	41
REDUCER - OVERDRIVE AND SHUTTLE VERSION	42
REDUCER CONTROL - OVERDRIVE AND SHUTTLE VERSION	43
REDUCER - OVERDRIVE AND UNDERDRIVE VERSION	44
REDUCER CONTROL - OVERDRIVE AND UNDERDRIVE VERSION	45
REDUCER - UNDERDRIVE AND SHUTTLE VERSION	46
REDUCER CONTROL - UNDERDRIVE AND SHUTTLE VERSION	47
REDUCER - SHUTTLE AND CREEPER VERSION	48
REDUCER CONTROL - SHUTTLE AND CREEPER VERSION	49
REDUCER - OVERDRIVE AND CREEPER VERSION	50
REDUCER CONTROL - OVERDRIVE AND CREEPER VERSION	51
REDUCER - UNDERDRIVE E CREEPER VERSION	52
REDUCER CONTROL - UNDERDRIVE E CREEPER VERSION	53
PTO SHAFT - STANDARD	54
PTO-CONTROL - STANDARD	55
PTO SHAFT - 540/750/1000 R.P.M.	56
PTO-CONTROL - 540/750/1000 R.P.M.	57
TRANSFER GEAR BOX-4 WHEEL DRIVE	58
4 WHEEL DRIVE CONTROLS	59
REAR AXLE-DIFFERENTIAL	60
REAR AXLE-HOUSING	61
REAR AXLE-DIFFERENTIAL LOCK MECHANISM - MECHANICAL CONTROL	62
BRAKE AND CONTROLS	63
BRAKE AND CONTROLS	64
BRAKES-HANDBRAKE	65
BRAKE CYLINDER	66

TABLE OF CONTENT

BRAKES-MASTER CYLINDER	67
REAR WHEELS	68
FRONT AXLE 2 WHEEL DRIVE-AXLE SUPPORT	69
FRONT AXLE 4 WHEEL DRIVE-DIFFERENTIAL	70
FRONT AXLE 4 WHEEL DRIVE-DIFFERENTIAL	71
FRONT AXLE 4 WHEEL DRIVE-FINAL DRIVE	72
STEERING HYDRAULIC LINES	73
STEERING HYDRAULIC LINES	74
STEERING ORBITROL UNIT - 2 WHEEL DRIVE	75
STEERING ORBITROL UNIT - 4 WHEELS DRIVE	76
STEERING-STEERING PUMP - UP TO SERIAL NUMBER- R31000	77
STEERING-STEERING PUMP - FROM SERIAL NO- R31001.	78
STEERING CYLINDER-2 WHEEL DRIVE	79
STEERING CYLINDER-4 WHEEL DRIVE	80
FRONT WHEELS	81
HYDRAULIC LIFT PIPINGS - STANDARD VERSION	82
HYDRAULIC LIFT PIPINGS	83
HYDRAULIC LIFT PIPINGS - SINGLE HYDRAULIC LINES	84
HYDRAULIC PUMP - TUROLLA	85
HYDRAULIC PUMP - BOSCH	86
HYDRAULIC PUMP - BOSCH	87
HYDRAULIC PUMP - BOSCH	88
HYDRAULIC LIFT VALVE	89
HYDRAULIC LIFT-LIFT ARMS	90
HYDRAULIC LIFT-LIFT ARMS	91
HYDRAULIC LIFT CYLINDER - AUXILIARY	92
REAR CONTROLS-DRAFT AND POSITION	93
REAR CONTROLS-DRAFT AND POSITION	94
AUXILIARY HYDRAULIC VALVE LINES - TILL TYPE	95
AUXILIARY HYDRAULIC VALVE LINES - TILL TYPE	96
AUXILIARY HYDRAULICS VALVE - STANDARD	97
AUXILIARY HYDRAULICS VALVE - FLOATING	98
ACCESSORIES HYDRAULIC - ADDITIONAL POWER OUTLET UNIT	99
HITCH-SUPPORTS AND GUARDS - CAT 1	100
HITCH-SUPPORTS AND GUARDS - CAT 1	101
LINKAGE CAT 2	102
LINKAGE-LINK END	103
SHEET METAL-GRILLE	104
SHEET METAL-HOOD	105
SHEET METAL-PANELS	106
DECALS	107
DECALS	108
DECALS	109
FENDERS AND PLATFORM	110
FENDERS - FRONT - 2WHEEL DRIVE	111
FENDERS - FRONT - 4 WHEELS DRIVE	112
SAFETY FRAME	113
SEAT-GRAMMER	114
SEAT-GRAMMER	115
TRACTOR CAB-FRAME	116
TRACTOR CAB-ROOF	117
TRACTOR CAB-CAB DOOR	118
TRACTOR CAB-WINDOWS - FRONT	119
TRACTOR CAB-WINDOWS - REAR	120
TRACTOR CAB-CAB INSULATION	121
TRACTOR CAB-CAB INSULATION	122
TRACTOR CAB-ELECTRICAL EQUIPMENT	123
TRACTOR CAB-CAB INSULATION	124
TRACTOR CAB-AIR CONDITIONER - FROM SERIAL NO R 34153.	125
TRACTOR CAB-AIR CONDITIONER - FROM SERIAL NO R 34153.	126
LIGHTING EQUIPMENT	127
LIGHTING EQUIPMENT	128
ELECTRONIC HARNESS-INSTRUMENT PANEL	129
SENSORS HARNESS	130
LIGHTING EQUIPMENT-REAR	131
ELECTRICAL WIRING-TRACTOR CAB	132
WEIGHT FRAME AND WEIGHTS	133
HITCH CONNECTIONS	134

TABLE OF CONTENT

00

REAR HOOK-ADJUSTABLE	135
REAR HOOK-ADJUSTABLE - STANDARD	136
DRAWBAR	137
DRAWBAR	138
TRAILER BRAKES-PIPES AND FITTINGS	139
TOOL KIT	140

**<https://www.ebooklibonline.com>**

Hello dear friend!

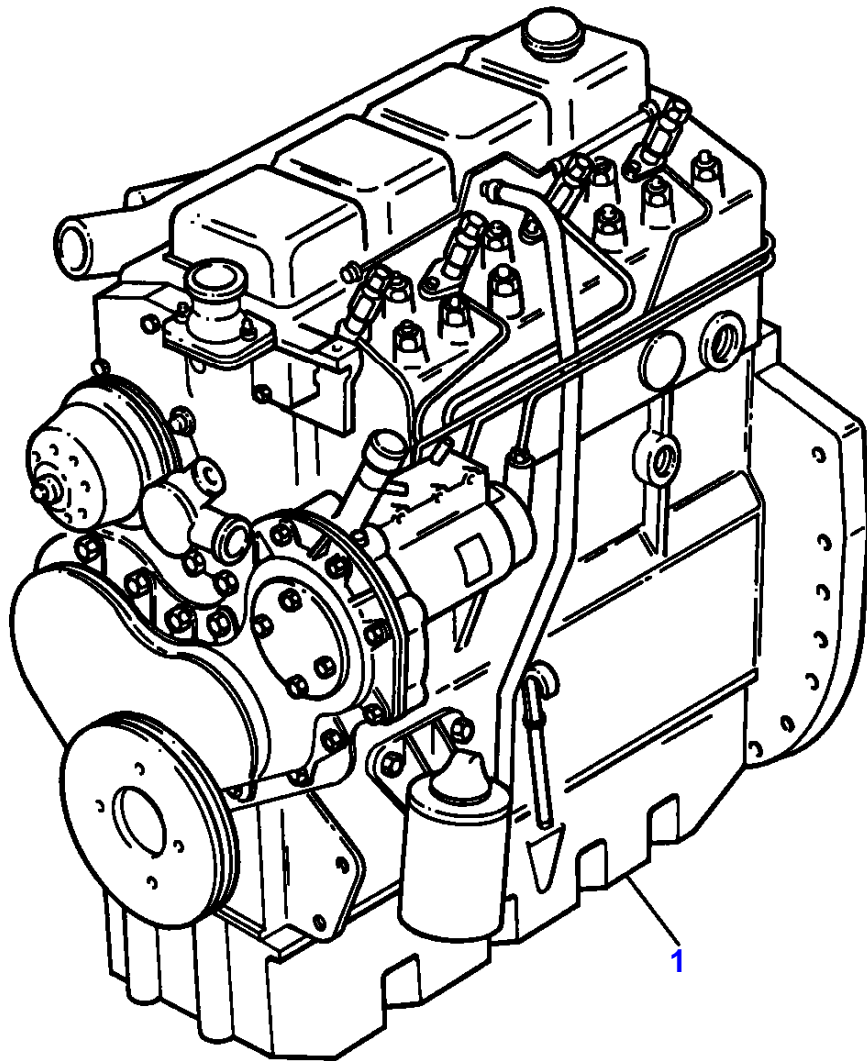
Thank you very much for reading.

Enter the link into your browser.

The full manual is available for immediate download.

**<https://www.ebooklibonline.com>**

L-0011-26M-A



MASSEY FERGUSON

MF 384 S TRACTOR, ->| 30/09/93 - 3311548

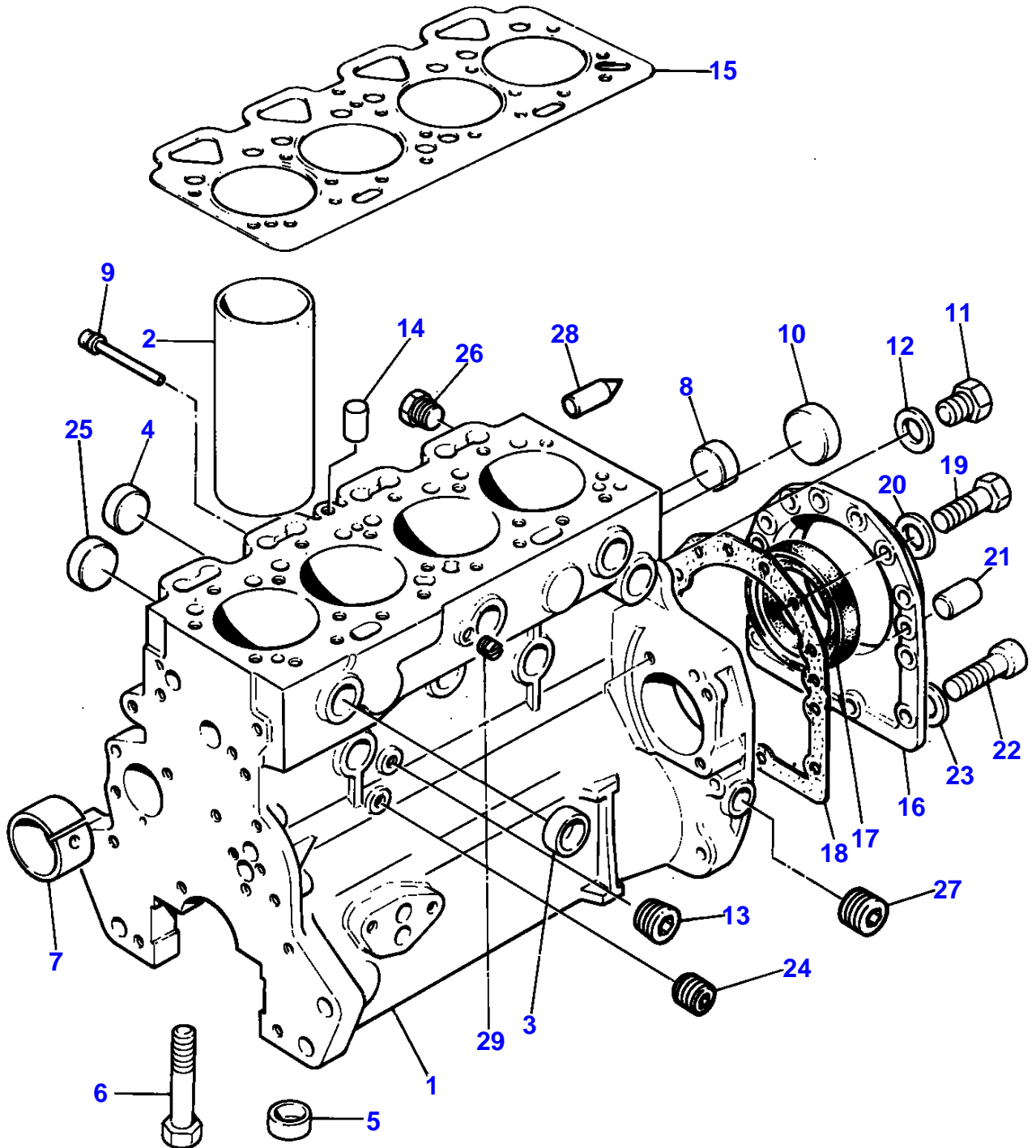
3311548

ENGINE - A4.236 ENGINE

1

Item	Part Number	Qty	Description	Comments
				A4.236 ENGINE
1	LD31200	X	Parts Book	(C)
	LD 39303	X	Short Engine	(C)
				(C)
				FOR MF 384F/384S AND LANDINI 7560F/7560L TRACTORS ONLY

**L-0560-29M-B**



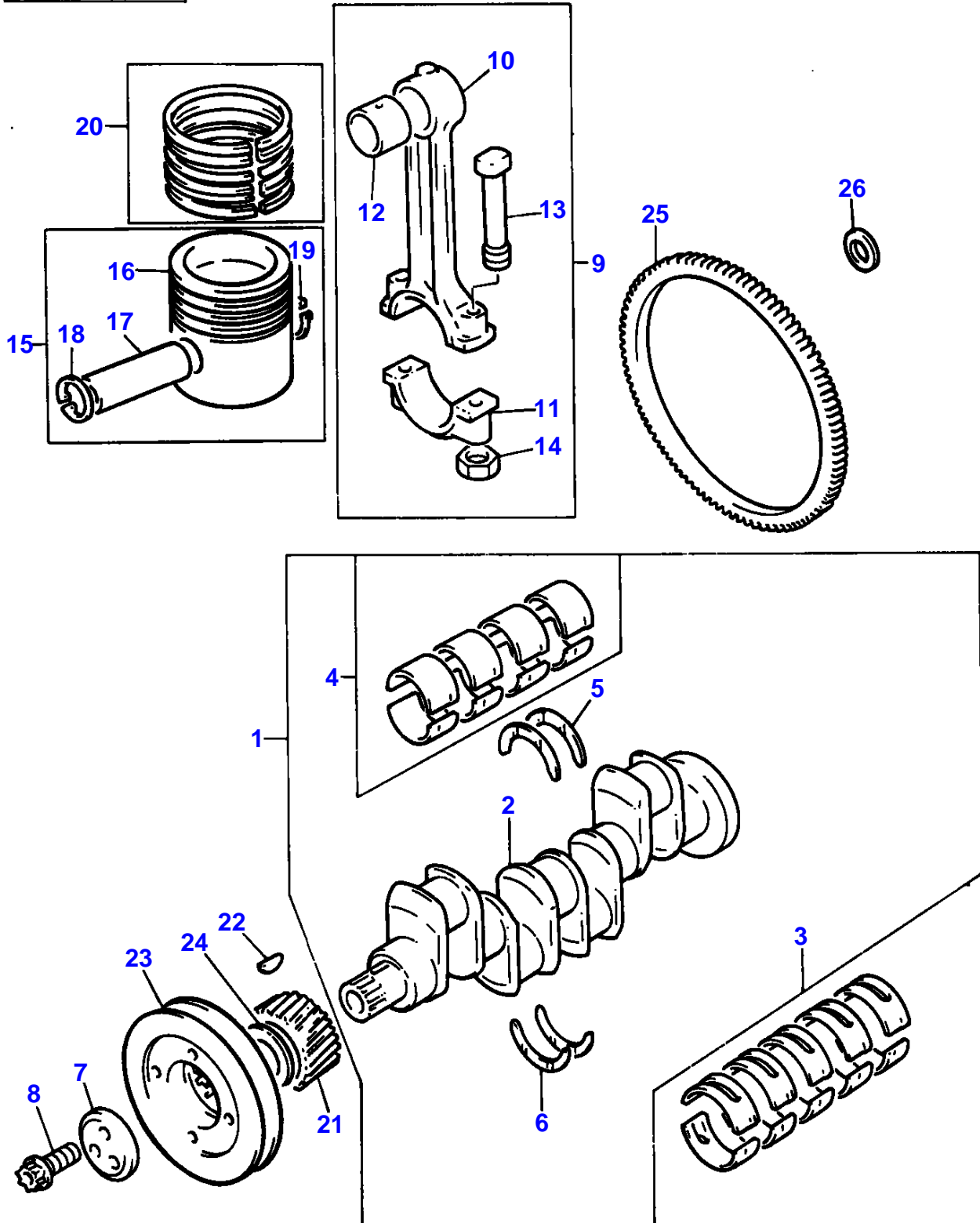
CYLINDER BLOCK - A4.236 ENGINE

Item	Part Number	Qty	Description	Comments
				A4.236 ENGINE
1	ZZ 50145	1	Kit,Cyl.Block	Repairs and replaces ZZ50110
				Repairs and replaces ZZ50114
2	3135X031	4	Liner	(1)
				(A)
2	3135X032	X	Liner	(B)
3	0650710	6	Plug	(1)
				Repairs and replaces 0650563
4	32418122	4	Plug	(1)
5	33142111	10	Thimble	(1)
6	32166329	10	Bolt	(1)
7	31134164	1	Bush	(1)
				Repairs and replaces 31134163
				Repairs and replaces 31134132
8	0650710	2	Plug	(1)
				Repairs and replaces 0650563
9	2485A204	1	Plug	(1)
10	32416105	1	Plug	(1)
11	0650582	1	Plug	(1)
				Repairs and replaces 32168212
12	3311R003	1	Washer	(1)
				Repairs and replaces 0920130
13	0650588	2	Plug	(1)
14	32417134	1	Plug	
15	3681E018	1	Head Gasket	Repairs and replaces 36812352
16	4142V064	1	Housing	Repairs and replaces 4142V061
17	2418F475	1	Seal	(16)
18	36817157	1	Joint	
19	0746211	10	Bolt	
20	0920003	10	Washer	
21	0350009	2	Dowel	
22	2172530	2	Capscrew	
23	33112111	2	Washer	
24	0650594	1	Plug	
25	0650577	4	Plug	
26	32161114	2	Plug	
27	0650588	1	Plug	
28	32452113	1	Pointer	
29	32114143	1	Plug	

(A)  
PRESS FIT

(B)  
SLIP FIT

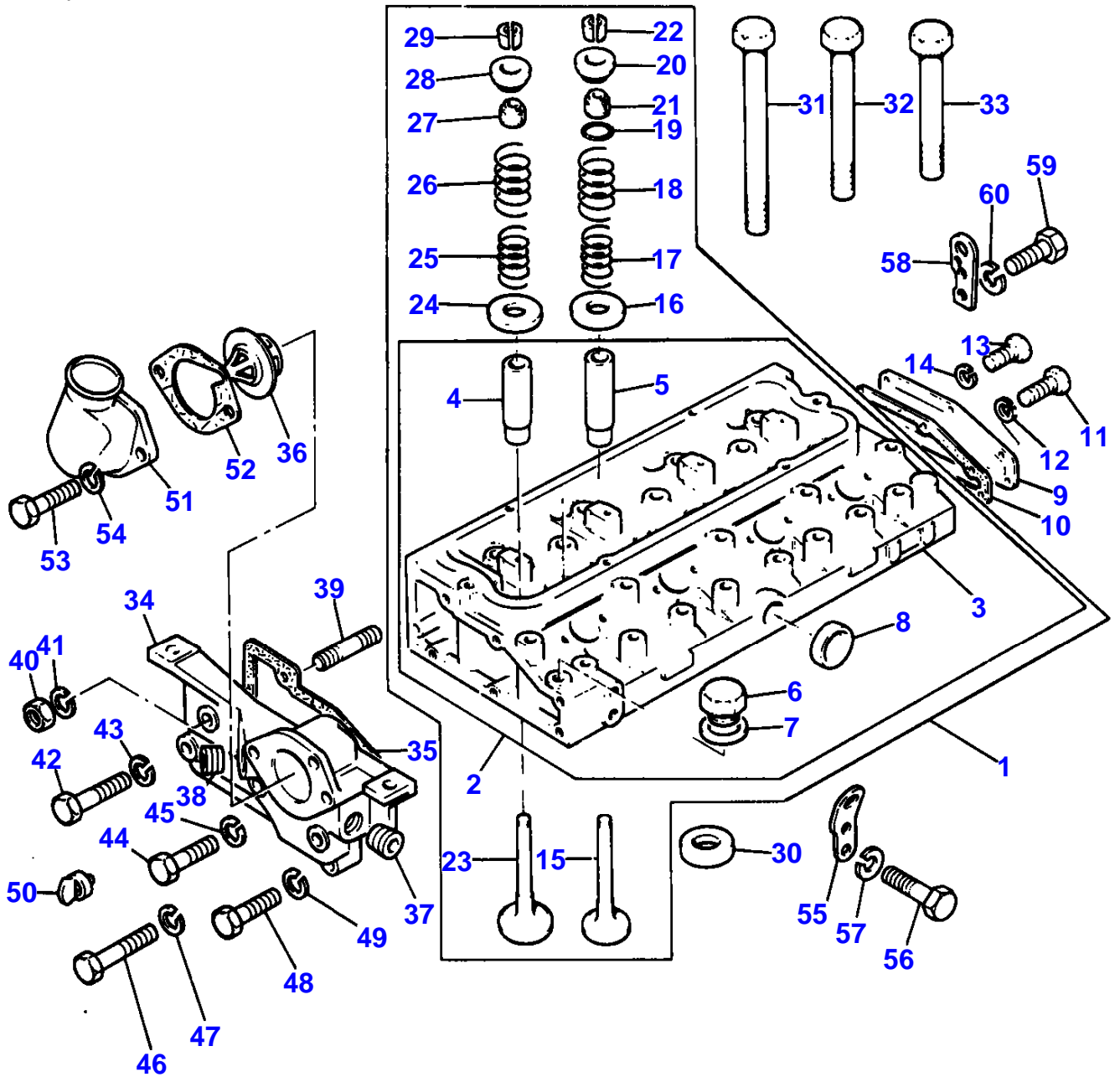
L-0563-28M-B



CRANKSHAFT, PISTONS AND CONNECTING RODS - A4.236 ENGINE

Item	Part Number	Qty	Description	Comments
				A4.236 ENGINE
1	ZZ 90081	1	Kit, Crankshaft	Repairs and replaces U5BG0024
2		1	Crankshaft	(1) Not serviced, order REF.1
3	81558	1	Kit, Bearing	(1) (A)
3	81558A	X	Kit, Bearing	(A) Thickness (-)0.25MM Thickness (-)0.010"
3	81558B	X	Kit, Bearing	(A) Thickness (-)0.50MM Thickness (-)0.020"
3	81558C	X	Kit, Bearing	(A) Thickness (-)0.75MM Thickness (-)0.030"
4	85042	1	Kit, Bearing	(1) (A)
4	85042A	X	Kit, Bearing	(A) Thickness (-)0.25MM Thickness (-)0.010"
4	85042B	X	Kit, Bearing	(A) Thickness (-)0.50MM Thickness (-)0.020"
4	85042C	X	Kit, Bearing	(A) Thickness (-)0.75MM Thickness (-)0.030"
5	31137551	2	Thrust Washer	(1)
	31137312	X	Thrust Washer	Thickness (+)0.19MM Thickness (+)0.0075"
6	31137561	2	Thrust Washer	(1)
	31137322	X	Thrust Washer	Thickness (+)0.19MM Thickness (+)0.0075"
7	3242T001	1	Thrust Block	(D)
8	32186139	3	Screw	(D)
9	ZZ 90009	4	Kit, Conrod	(9)
10		1	Conrod	(9) Not serviced, order REF.9
11		1	Cap	(9) Not serviced, order REF.9
12	31134123	1	Bush	(9)
13	32762144	2	Bolt	(9)
14	33221328	2	Nut	(9)
15	U5LU0025	4	Kit, Piston	(B)
	U5LP0035	4	Kit, Piston	(C)
16		1	Piston	(15) Not serviced, order REF.15
17		1	Pin	(15) Not serviced, order REF.15
18	0170002	1	Circlip	(15)
19	0170002	1	Circlip	(15)
20	41158041	4	Kit, Piston Ring	
21	31171681	1	Gear,Crankshaft	Number of teeth/spines 28
22	0500012	1	Woodruff Key	
23	31148797	1	Pulley,Crank	
24	33125416	1	Washer	
25	0410236	1	Starter Ring	Number of teeth/spines 115
26	33117127	6	Washer	Repairs and replaces 33117121
				(A) PRE-FINISHED
				(B) UNTOPPED
				(C) PRE-TOPPED
				(D) NOT SUPPLIED WITH ASSEMBLY

L-0566-32M-B



CYLINDER HEAD - A4.236 ENGINE

Item	Part Number	Qty	Description	Comments
				A4.236 ENGINE
1	ZZ 80072	1	Kit, Cyl. Head	Repairs and replaces ZZ80062 Repairs and replaces ZZ80015 Repairs and replaces U5BD0001
2	ZZ 80157	1	Kit, Cyl. Head	(1) Repairs and replaces ZZ80061 Repairs and replaces ZZ80004
3		1	Cylinder Head	(2)  Not serviced, order REF.2
4	3343F002	4	Guide	(2)
5	3343J002	4	Guide	(2)
6	0650203	1	Plug	(2)
7	2411157	1	Washer	(2)
8	0650710	1	Plug	(2)
9	3623K007	1	Plate	
10	3685R004	1	Joint	
11	0746452	2	Setscrew	
12	0920054	2	Washer	
13	0746255	4	Setscrew	Repairs and replaces 0746254
14	0920053	4	Washer	
15	31431881	4	Valve Exhaust	(D)  Alternative 31431886
15	3142A052	4	Valve Exhaust	(1)  (C)
16	33415118	4	Washer	(1)
17	31744131	4	Spring	(1)
18	31745121	4	Spring	(1)
19	2415B201	4	O Ring	(1)
20	33423147	4	Cap	(1)
21	33817117	4	Seal	(1)
22	33173108	8	Cotter	(1) (A)
23	31431641	4	Valve Inlet	(1)
24	33415118	4	Washer	(1)
25	31744131	4	Spring	(1)
26	31745121	4	Spring	(1)
27	33817117	4	Seal	(1)
28	33423147	4	Cap	(1)
29	33173108	8	Cotter	(1) (A)
30	33152153	4	Insert	
31	32166337	2	Screw	
32	32166338	12	Bolt	
33	32166339	8	Screw	
34	37762705	1	Body	Repairs and replaces 37762706
35	36853514	1	Joint	
36	2485659	1	Thermostat	
37	2431154	1	Plug	
38	2431154	1	Plug	
39	2217202	1	Stud	
40	0576051	1	Nut	
41	0920054	1	Washer	
42	0096238	1	Bolt	
43	0920053	1	Washer	
44	0096439	1	Bolt	
45	0920054	1	Washer	
46	0746255	2	Setscrew	
47	0920053	2	Washer	
48	0096434	2	Bolt	
49	0920054	2	Washer	
50	2485791	1	Pin	
51		1	Connection	(B)
52	36862151	1	Joint	
53	0096433	2	Bolt	
54	0920054	2	Washer	
55	3648C004	1	Plate	

CYLINDER HEAD - A4.236 ENGINE

Item	Part Number	Qty	Description	Comments
56	0746453	2	Setscrew	
57	0920054	2	Washer	
58	36177111	1	Plate	
59	0746453	2	Setscrew	
60	0920054	2	Washer	

(A)  
SERVICED IN PAIRS

(B)  
NOT SUPPLIED BY PERKINS ENGINES LIMITED.

(C)  
REMOVE AND FIT 31431881

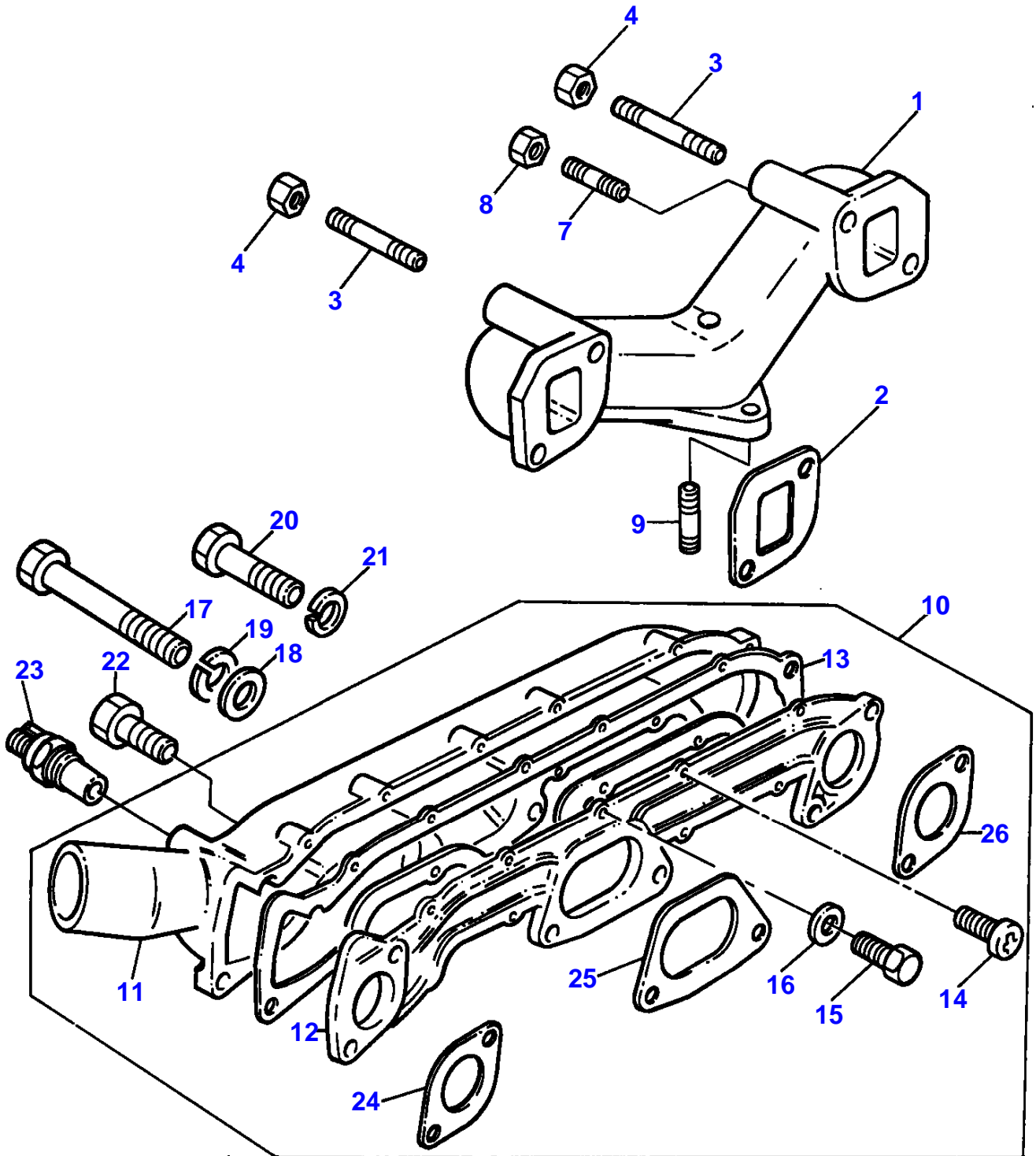
(D)  
FITTED IN PLACE OF EXHAUST VALVES SUPPLIED WITH CY LINDER HEAD ASSEMBLY



ROCKER SHAFT - A4.236 ENGINE

Item	Part Number	Qty	Description	Comments
A4.236 ENGINE				
1	ZZ 90007	1	Rocker Shaft Ass	Repairs and replaces ZZ90030
2	ZZ 90032	1	Rocker Shaft	(1)
3		1	Shaft	(2)
Not serviced, order REF.2				
4	0650507	2	Plug	(2)
5	3818X901	4	Bracket	(1)
Repairs and replaces 37521334				
Repairs and replaces 37521332				
6	37371281	4	Lever	(1)
Right Hand				
7	41151481	4	Rockerarm	(1)
Left Hand				
Repairs and replaces 37371271				
8	31744123	2	Spring	(1)
9	31743108	2	Spring	(1)
10	3775E012	1	Connection	(1)
(A)				
11	2231236	1	Setscrew	(B)
	2233022	1	Screw	(1)
(C)				
12	33117426	2	Shim	(1)
13	0170151	2	Circlip	(1)
14	33117434	2	Washer	(1)
15	0720579	8	Screw	(1)
16	0576052	8	Nut	(1)
17	31434163	8	Tappet	
18	31434307	8	Pushrod	
19	33811113	1	Olive	
20	0096634	4	Screw	
21	0920006	4	Washer	
22	37188141	1	Cyl.Head Cover	
23	3681A026	1	Joint	Repairs and replaces 36811132
24	2172513	4	Screw	
25	0920002	4	Washer	
26	0920052	4	Washer	
27	2487845	1	Cap	
28		1	Cap	(27)
Not serviced, order REF.27				
29	24870002	1	Joint	(27)
30	33872516	1	Pipe,Breather	
31	21825195	1	Clip	Repairs and replaces 0180063
32	35731144	1	Pipe,Breather	
33	0096215	1	Screw	Up to Serial or Engine Number U226708S
	2187333	1	Screw	From Serial or Engine Number U226709S
34	0920003	1	Washer	Up to Serial or Engine Number U226708S
35	0920053	1	Washer	Up to Serial or Engine Number U226708S
(A)				
WAS 3775E011 USE 3775E012/2233022.				
(B)				
USED ONLY WITH 3775E011				
(C)				
USED ONLY WITH 3775E012				

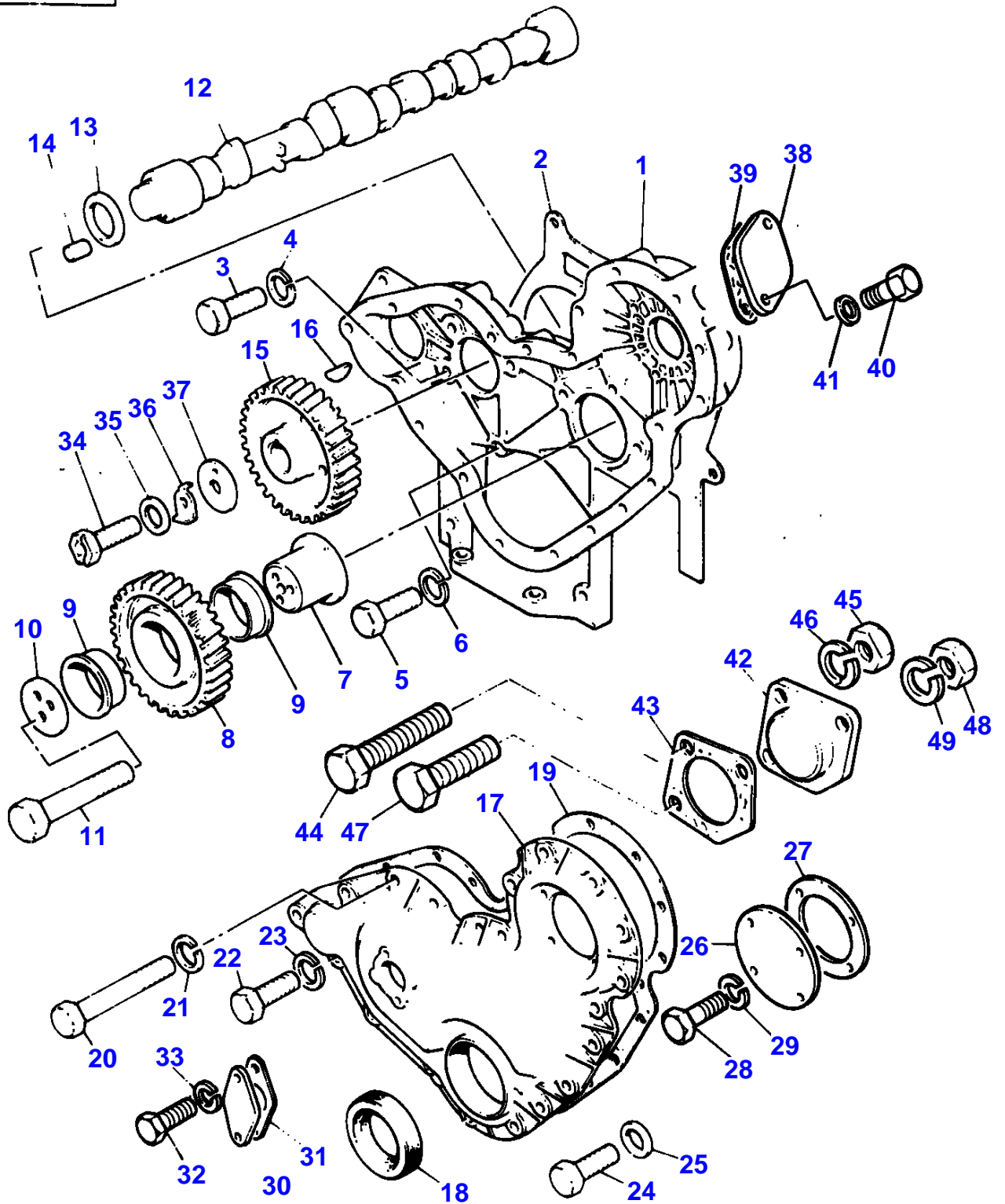
L-0305-14M - A



**MASSEY FERGUSON****MF 384 S TRACTOR, ->| 30/09/93 - 3311548****3311548****AIR INDUCTION AND EXHAUST SYSTEM - A4.236 ENGINE****6**

Item	Part Number	Qty	Description	Comments
				A4.236 ENGINE
1	37781333	1	Exhaust Manifold	
2	36862159	2	Joint	
3	0826410	2	Stud	
4	2188135	2	Nut	
5	0826510	1	Stud	
6	2188135	1	Nut	
7	0826490	1	Stud	
8	2188135	1	Nut	
9	0826627	3	Stud	
10	41316651	1	Induct.Manifold	
11		1	Manifold	(10) Not serviced, order REF.10
12	37537591	1	Plate	(10)
13	36867167	1	Joint	(10)
14	2227238	8	Screw	(10)
15	2231237	1	Screw	(10)
16	0920024	1	Washer	(10)
17	0096445	1	Screw	
18	0920004	1	Washer	
19	0920054	1	Washer	
20	0096433	5	Bolt	
21	0920054	5	Washer	
22	0650204	1	Plug	
23	2666108	1	Intake Heater	
24	36866462	1	Joint	
25	36862133	1	Joint	
26	36862131	1	Joint	

L-0572-28M-A



MASSEY FERGUSON

MF 384 S TRACTOR, ->| 30/09/93 - 3311548

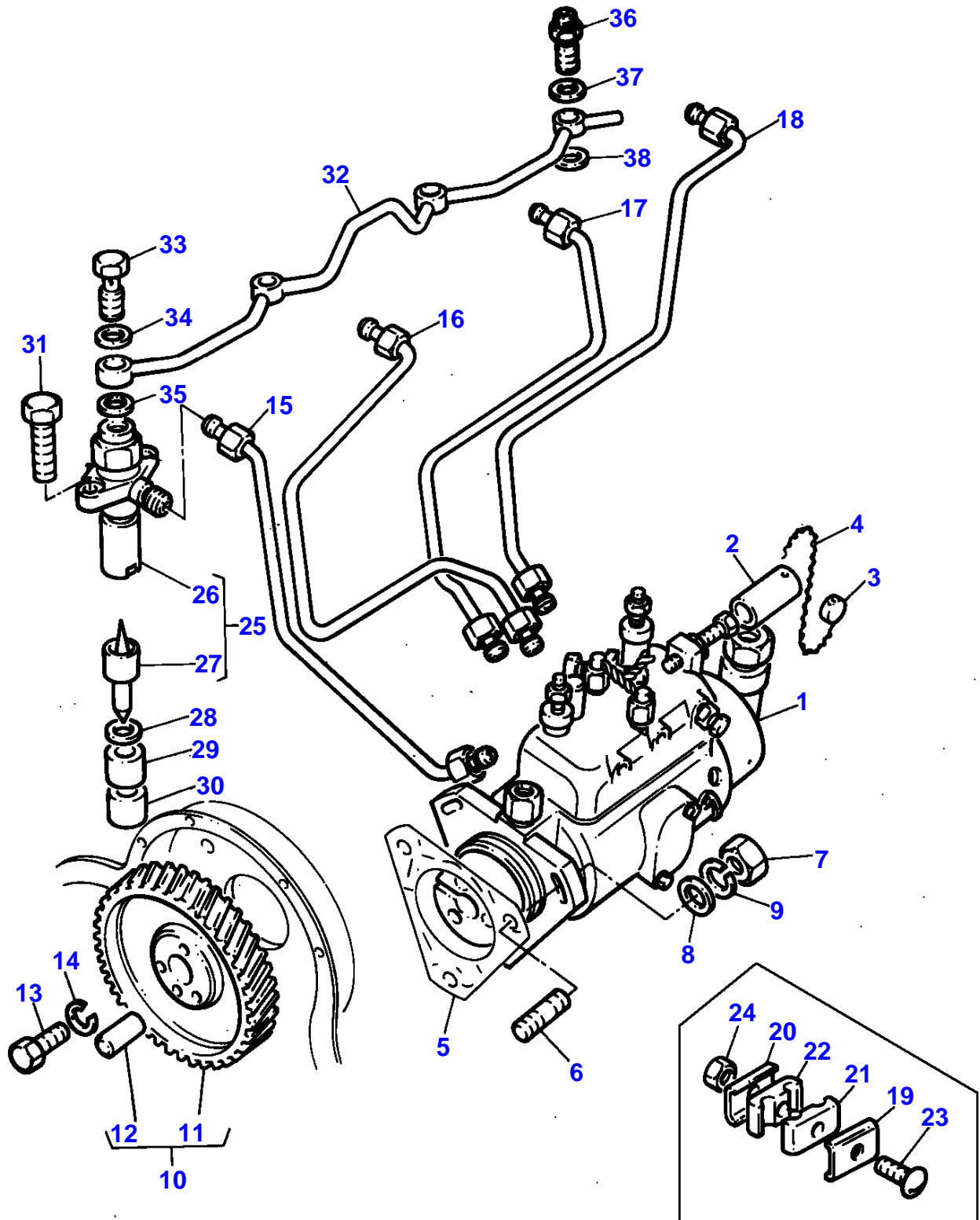
3311548

TIMING GEAR AND CAMSHAFT - A4.236 ENGINE

7

Item	Part Number	Qty	Description	Comments
				A4.236 ENGINE
1	37161642	1	Timing Case	
2	36814137	1	Joint	
3	2183205	8	Screw	
4	0920053	8	Washer	
5	0746211	1	Bolt	
6	0920053	1	Washer	
7	33426161	1	Hub	
8	41115023	1	Idler	Number of teeth/spines 63
9	0050345	2	Bush	(8)
10	0941082	1	Plate	
11	2184634	3	Screw	
12	31415374	1	Camshaft	
13	33153121	1	Washer	
14	2116053	1	Pin	
15	3117L011	1	Gear,Camshaft	Number of teeth/spines 56
16	0500012	1	Woodruff Key	
17	37166401	1	Timinggear Cover	
18	2418F436	1	Seal	
19	36813137	1	Joint	
20	0096238	4	Bolt	
21	0920053	4	Washer	
22	2183205	10	Screw	
23	0920053	10	Washer	
24	2183205	4	Screw	
25	0920053	4	Washer	
26	3241H004	1	Plate	
27	33825419	1	Joint	
28	2183203	4	Screw	
29	0920053	4	Washer	
30	36171121	1	Plate	
31	36833119	1	Joint	
32	2183104	2	Screw	
33	0920052	2	Washer	
34	32161217	1	Screw	
35	33115408	1	Washer	
36	31733121	1	Washer	
37	33153128	1	Washer	
38	36235118	1	Plate	
39	36862138	1	Joint	
40	2183204	2	Screw	
41	0920053	2	Washer	
42	37556148	1	Plate	
43	36861429	1	Joint	
44	0748505	1	Screw	
45	2238153	1	Nut	
46	0920054	1	Washer	
47	2232151	2	Screw	
48	2238153	2	Nut	
49	0920054	2	Washer	

L-0587-35M-B



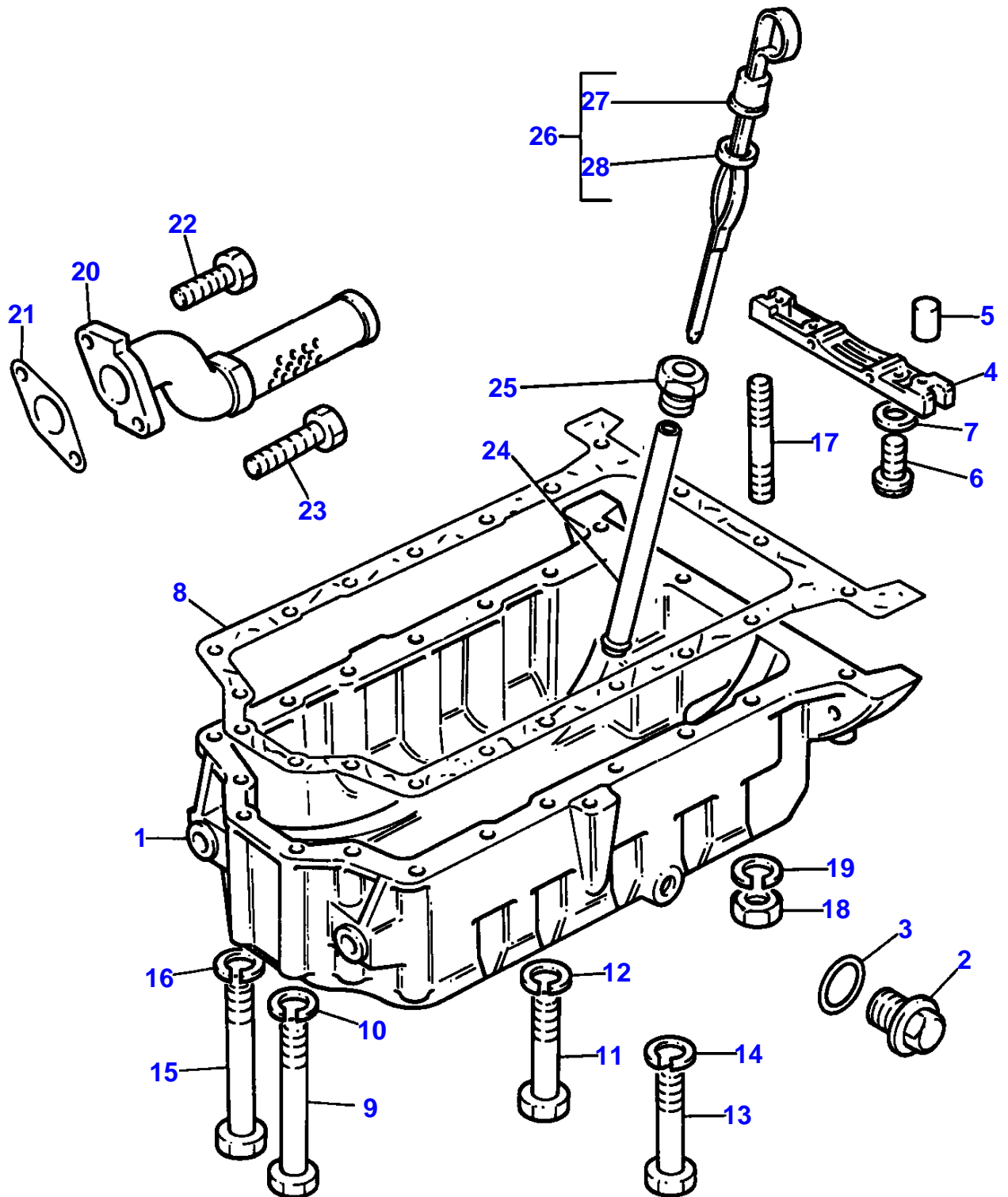
**MASSEY FERGUSON****MF 384 S TRACTOR, ->| 30/09/93 - 3311548****3311548****FUEL INJECTION EQUIPMENT (DIESEL) - A4.236 ENGINE****8**

Item	Part Number	Qty	Description	Comments
				A4.236 ENGINE
1	38377	1	Injection Pump	(A) Up to Serial or Engine Number U208937P
1	2643C278	1	Injection Pump	(A) From Serial or Engine Number U208938P
2	2644951	1	Sleeve	
3	31718104	1	Seal	
4	31718105	1	Wire	
5	0490685	1	Joint	
6	2217139	3	Stud	
7	0576002	3	Nut	
8	0920003	3	Washer	
9	0920053	3	Washer	
10	41115136	1	Gear,Fuel Pump	Number of teeth/spines 56
11		1	Gear	(10) Not serviced, order REF.10
12	0350010	1	Dowel	(10)
13	0746254	3	Setscrew	
14	0920053	3	Washer	
15	35343025	1	Injection Pipe	NO.1 CYL.
16	35343026	1	Injection Pipe	NO.2 CYL.
17	35343027	1	Injection Pipe	NO.3 CYL.
18	35343028	1	Injection Pipe	NO.4 CYL.
19	36511123	2	Plate	
20	36511123	2	Plate	
21	36844116	2	Bridle	
22	36844116	2	Bridle	
23	0726505	2	Setscrew	
24	2211401	2	Nut	
25	2645666	4	Atomiser	
26	2646460	1	Holder	(25)
27	2646842	1	Nozzle	(25)
28	0921173	4	Washer	
29	33813129	4	Spacer	
30	33813131	4	Seal	
31	0096232	8	Bolt	
32	3558X011	1	Leak-Off Pipe	
33	0095315	3	Banjo Bolt	
34	0921176	3	Washer	
35	0921176	3	Washer	
36	0201526	1	Union	
37	0921176	1	Washer	
38	0921176	1	Washer	

(A)

COMPONENT PARTS SUPPLIED BY C.A.V. LTD

L-0608-33M-A



Item	Part Number	Qty	Description	Comments
				A4.236 ENGINE
1	37171174	1	Sump	Repairs and replaces 37171173
2	32186405	1	Plug	
3	2415715	1	O Ring	
4	3627P011	1	Bridge Piece	(C)  Repairs and replaces 36277825 Repairs and replaces 36277833
5	32811408	2	Joint	(B)
6	2172514	2	Screw	Repairs and replaces 2176369
7	0920521	2	Washer	(B)
8	3681K004	1	Joint	Repairs and replaces 36815721
9	2187341	4	Screw	
10	0920053	4	Washer	
11	2187332	11	Screw	
12	0920053	11	Washer	
13	2187340	1	Screw	
14	0920053	1	Washer	
15	2187341	1	Screw	
16	0920053	1	Washer	
17	2217150	2	Stud	
18	0576002	2	Nut	
19	0920053	2	Washer	
20		1	Pipe	(A)
21		1	Joint	(A)
22		1	Screw	(A)
23		1	Screw	(A)
24	33435123	1	Tube	
25	33533103	1	Nut	
26	31787452	1	Dipstick	
27		1	Dipstick	(26) Not serviced, order REF.26
28	33812108	1	Washer	(26)  (A) REFER TO BALANCER SECTION  (B) USED ONLY WITH 36277831/36277833. NOT REQUIRED WITH 36277825/3627P011.  (C) WAS 36277825 - USE 3627P011 WITH RELEVANT HARDWARE



**Suggest:**

**If the above button click is invalid.**

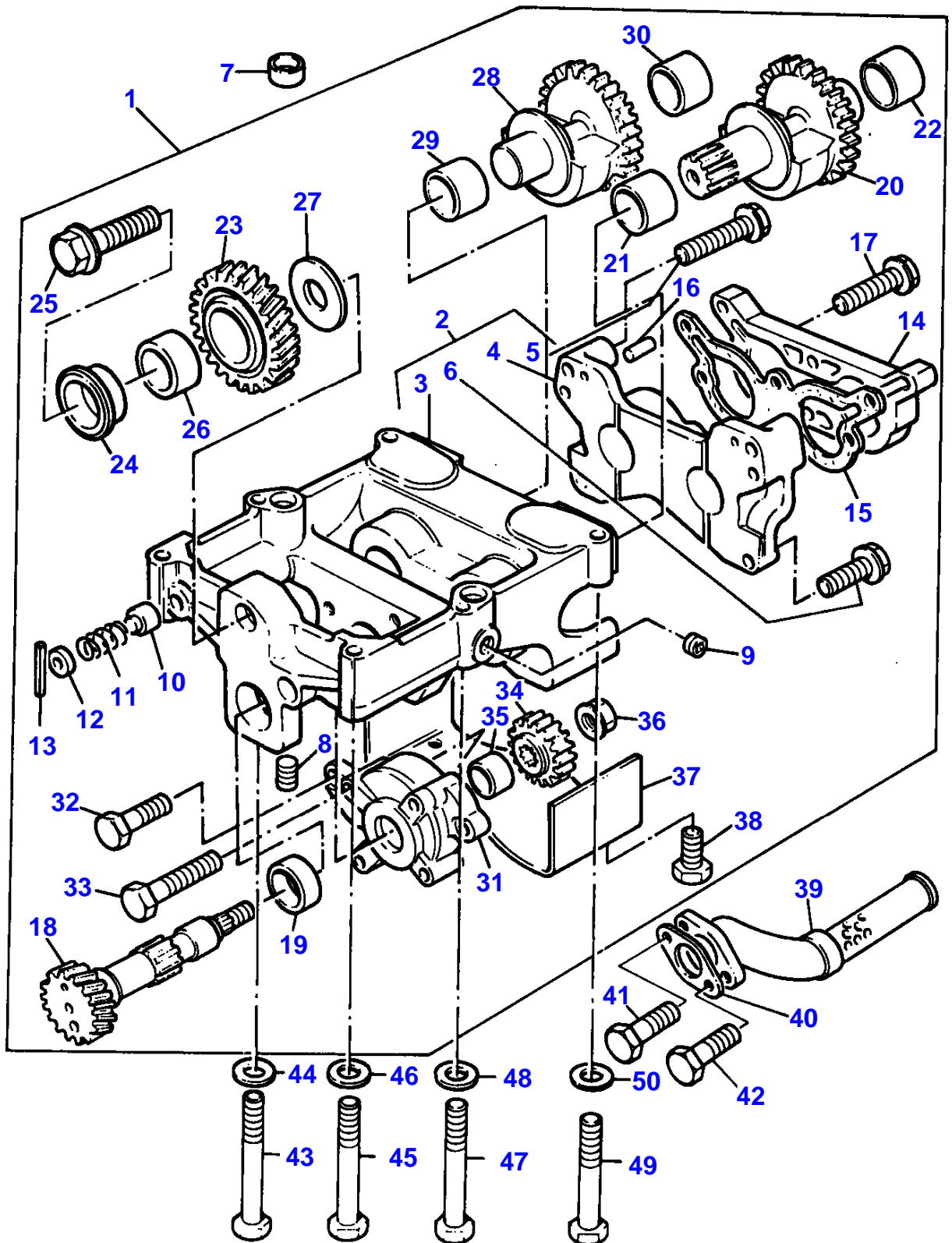
**Please download this document**

**first, and then click the above link**

**to download the complete manual.**

**Thank you so much for reading**

L-0584-34M-B



**<https://www.ebooklibonline.com>**

Hello dear friend!

Thank you very much for reading.

Enter the link into your browser.

The full manual is available for immediate download.

**<https://www.ebooklibonline.com>**