

Page Title	Page Number
ENGINE ASSEMBLY-A4.236 ENGINE	1
SHORT ENGINE-A4.236 ENGINE	2
CYLINDER BLOCK-A4.236 ENGINE	3
CRANKSHAFT, PISTONS AND CONNECTING RODS-A4.236 ENGINE	4
CYLINDER HEAD-A4.236 ENGINE	5
ROCKER SHAFT-A4.236 ENGINE	6
TIMING GEAR AND CAMSHAFT-A4.236 ENGINE	7
BALANCER UNIT-A4.236 ENGINE	8
FUEL INJECTION EQUIPMENT-A4.236 ENGINE	9
LUBRICATING OIL SUMP-A4.236 ENGINE	10
LUBRICATING OIL FILTER AND INTEGRAL COOLER-A4.236 ENGINE	11
WATER PUMP, THERMOSTAT AND HEAT EXCHANGER-A4.236 ENGINE	12
FUEL SYSTEM AND FILTER-A4.236 ENGINE	13
AIR INDUCTION AND EXHAUST SYSTEM-A4.236 ENGINE	14
ALTERNATOR POSITIONER-A4.236 ENGINE	15
JOINTS AND GASKETS-A4.236 ENGINE	16
STAND OIL FILTER-WITH STD (BLU) ENGINE	17
HEATER KIT-COLD CLIMATE	18
ALTERNATOR	19
ALTERNATOR	20
ALTERNATOR POSITIONER	21
STARTER MOTOR-ISKRA TYPE	22
STARTER MOTOR-MARELLI TYPE	23
COOLING SYSTEM-FAN AND HOSES	24
COOLING SYSTEM-RADIATOR AND BRACKET	25
COOLING SYSTEM-RADIATOR AND BRACKET	26
FUEL SYSTEM	27
FUEL TANK-TRACTOR SP	28
FUEL TANK-TRACTOR FP	29
FUEL TANK-TRACTORT AP	30
FUEL TANK-TRACTOR GE	31
DRY AIR FILTER	32
EXHAUST SYSTEM-TRACTOR SP - FP - AP	33
EXHAUST SYSTEM-TRACTOR GE	34
HAND AND FOOT THROTTLE CONTROLS-TRACTOR FP - LP - GE	35
HAND AND FOOT THROTTLE CONTROLS-TRACTOR GTP	36
BATTERY	37
ELECTRICAL WIRING-FRONT	38
INSTRUMENT PANEL	39
INSTRUMENT PANEL-WITH MECANICS RISER	40
INSTRUMENT PANEL-WITH ELECTRONIC LIFT - NOT INCLUDED TRACTOR	41
ELECTRICAL WIRING-WITH STD (BLU) ENGINE	42
ELECTRICAL WIRING-REAR	43
ELECTRICAL WIRING-REAR - NOT INCLUDED TRACTOR GE	44
ELECTRICAL WIRING-EQUIPMENT FOR LIFT	45
LIGHTING EQUIPMENT	46
LIGHTING EQUIPMENT	47
CLUTCH-O.M.G. - 11	48
CLUTCH-LUK - 11	49
CLUTCH-O.M.G. - 12	50
CLUTCH-LUK - 12	51
CLUTCH PEDAL AND LINKAGE-TRACTOR SP - FP - GE - H	52
CLUTCH PEDAL AND LINKAGE-TRACTORT AP	53
LOWER CLUTCH P.T.O.	54
LOWER CLUTCH P.T.O.	55
FRONT CENTRE HOUSING-CLUTCH BOX	56
TRANSMISSION	57
TRANSMISSION	58
TRANSMISSION	59
TRANSMISSION-FOR NORMAL	60
GEAR BOX: CONTROLS	61
GEAR BOX: CONTROLS-FOR SHUTTLE VERSION ONLY.	62
GEAR BOX: CONTROLS-FOR SPECIAL OPTIONS VERSION ONLY	63
SHIFT LEVERS	64
REDUCER OPTION-FOR SHUTTLE VERSION ONLY: TRACTOR SP - FP - GE	65
REDUCER OPTION-FOR SHUTTLE VERSION ONLY : TRACTOR AP	66

TABLE OF CONTENT

REDUCER OPTION-UNDERDRIVE AND SHUTTLE VERSION	67
REDUCER OPTION-UNDERDRIVE AND SHUTTLE VERSION	68
REDUCER OPTION-OVERDRIVE AND SHUTTLE VERSION	69
REDUCER OPTION-OVERDRIVE AND SHUTTLE VERSION	70
REDUCER OPTION-OVERDRIVE AND UNDERDRIVE VERSION	71
REDUCER OPTION-OVERDRIVE AND UNDERDRIVE VERSION	72
REDUCER OPTION-UNDERDRIVE E CREEPER VERSION	73
REDUCER OPTION-UNDERDRIVE E CREEPER VERSION	74
REDUCER OPTION-SHUTTLE AND CREEPER VERSION	75
REDUCER OPTION-SHUTTLE AND CREEPER VERSION	76
REDUCER OPTION-OVERDRIVE AND CREEPER VERSION	77
REDUCER OPTION-OVERDRIVE AND CREEPER VERSION	78
PTO SHAFT-	79
PTO SHAFT-540/750 R.P.M.	80
PTO-CONTROL	81
PTO-CONTROL-540/750 R.P.M.	82
TRANSFER GEAR BOX AND DRIVE SHAFT:	83
TRANSFER GEAR BOX AND DRIVE SHAFT:	84
REAR AXLE	85
REAR AXLE-TRACTOR SP	86
REAR AXLE-TRACTOR FP - AP	87
REAR AXLE-TRACTOR GE	88
DIFFERENTIAL LOCK CONTROLS	89
BRAKES	90
BRAKES-PIPINGS	91
BRAKES-PIPINGS	92
BRAKES-DEVICE CONTROL	93
BRAKES	94
MASTER CYLINDER-BRAKE PUMP	95
BRAKE CYLINDER	96
KIT TRAILER BRAKES-NOT INCLUDED GE TRACTOR	97
KIT TRAILER BRAKES-NOT INCLUDED GE TRACTOR	98
REAR WHEELS-TRACTOR SP	99
REAR WHEELS-TRACTOR FP - AP	100
REAR WHEELS-TRACTOR GE	101
FRONT WHEELS-TRACTOR SP - FP - AP	102
FRONT WHEELS-TRACTOR GE	103
FRONT AXLE 2 WHEEL DRIVE-TRACTOR FP - AP	104
FRONT AXLE 2 WHEEL DRIVE-TRACTOR SP - GE	105
FRONT AXLE 4 WHEEL DRIVE	106
FRONT AXLE 4 WHEEL DRIVE	107
FRONT AXLE 4 WHEEL DRIVE-TRACTOR 384 SP	108
FRONT AXLE 4 WHEEL DRIVE-TRACTOR 384 FP - 384 AP	109
FRONT AXLE 4 WHEEL DRIVE-TRACTOR 384 GE	110
FRONT AXLE 4 WHEEL DRIVE-TRACTOR 384 SP	111
FRONT AXLE 4 WHEEL DRIVE-TRACTOR 384 FP - 384 AP	112
FRONT AXLE 4 WHEEL DRIVE-TRACTOR 384 GE	113
FRONT AXLE 4 WHEEL DRIVE-TYPE STANDARD	114
FRONT AXLE 4 WHEEL DRIVE-TYPE HYDROLOCK	115
FRONT AXLE 4 WHEEL DRIVE-PINION SET AND SIDE SHAFT	116
FRONT AXLE 4 WHEEL DRIVE-PINION SET AND SIDE SHAFT	117
FRONT AXLE 4 WHEEL DRIVE-PINION SET AND SIDE SHAFT	118
FRONT AXLE 4 WHEEL DRIVE-HOUSINGS AND STEERING CYLINDER	119
FRONT AXLE 4 WHEEL DRIVE-FINAL REDUCER AND WHELL HUB	120
FRONT AXLE 4 WHEEL DRIVE-WITH DIFFERENTIAL STANDARD	121
FRONT AXLE 4 WHEEL DRIVE-WITH DIFFERENTIAL HYDROLOCK	122
STEERING HYDRAULIC LINES-TRACTOR 384 SP - 384 FP - 384 AP	123
STEERING HYDRAULIC LINES-TRACTOR 384SP-384FP-384AP-384GE	124
STEERING HYDRAULIC LINES-TRACTOR SP - FP - GE	125
STEERING HYDRAULIC LINES-TRACTORT AP	126
STEERING ORBITROL UNIT-2 WHEE DRIVE	127
STEERING ORBITROL UNIT-4 WHEELS DRIVE	128
STEERING-PUMP-TUROLLA	129
STEERING-PUMP-BOSCH	130
STEERING CYLINDER-TRACTOR SP - GE	131
STEERING CYLINDER-TRACTOR FP	132
STEERING CYLINDER	133
HYDRAULIC EQUIPMENT-TRACTOR SP - FP - GE - H	134

TABLE OF CONTENT

HYDRAULIC EQUIPMENT-TRACTORT AP	135
HYDRAULIC EQUIPMENT-TRACTOR SP - FP - GE - H	136
HYDRAULIC EQUIPMENT-TRACTORT AP	137
HYDRAULIC EQUIPMENT-TRACTOR SP - FP - GE - H	138
HYDRAULIC EQUIPMENT-TRACTORT AP	139
HYDRAULIC PUMP-TUROLLA	140
HYDRAULIC PUMP-BOSCH	141
HYDRAULIC PUMP-TUROLLA	142
HYDRAULIC PUMP-BOSCH	143
HYDRAULIC PUMP-BOSCH	144
HYDRAULIC PUMP-TUROLLA	145
HYDRAULIC LIFT VALVE-WITH MECANICS RISER	146
HYDRAULIC LIFT	147
HYDRAULIC LIFT-TRACTOR SP - GE	148
HYDRAULIC LIFT-TRACTOR FP - AP	149
HYDRAULIC LIFT-TRACTOR SP	150
HYDRAULIC LIFT-TRACTOR FP - AP	151
ELECTRICAL WIRING-FOR ELECTRONIC LIFT	152
HYDRAULIC LIFT VALVE-FOR ELECTRONIC LIFT	153
ELECTRICAL WIRING-CONTROL PANEL ELECTRONIC LIFT	154
ELECTRICAL WIRING-CONTROL PANEL ELECTRONIC LIFT	155
MECHANICAL CONTROL LIFT-TRACTOR SP	156
MECHANICAL CONTROL LIFT-TRACTOR GE	157
MECHANICAL CONTROL LIFT-TRACTOR FP - AP	158
MECHANICAL CONTROL LIFT-TRACTOR FP - AP	159
MECHANICAL CONTROL LIFT-TRACTOR SP	160
MECHANICAL CONTROL LIFT-TRACTOR SP - FP - AP	161
MECHANICAL CONTROL LIFT-TRACTOR GE	162
HYDRAULIC LIFT CYLINDER-HYDRAULIC LIFT CYLINDER,WITH 1'AND 2'AUXIL.HYD	163
HYDRAULIC LIFT CYLINDER-HYDRAULIC LIFT CYLINDER,WITH 3AND 4 AUXIL.HYDR	164
AUXILIARY HYDRAULIC VALVE LINES-WITH 1.0 DISTRIBUTOR	165
AUXILIARY HYDRAULIC VALVE LINES-WITH 2.0 DISTRIBUTORES	166
AUXILIARY HYDRAULIC VALVE LINES-WITH 3.0 DISTRIBUTORES	167
AUXILIARY HYDRAULIC VALVE LINES-TRACTOR FP-AP-H ,WITH N.4 HYDRA. VALVE	168
CONTROLS ,AUXILIARY HYDRAULICS-WITH 1.0 DISTRIBUTOR	169
CONTROLS ,AUXILIARY HYDRAULICS-WITH 2.0 DISTRIBUTORES	170
CONTROLS ,AUXILIARY HYDRAULICS-WITH 3.0 DISTRIBUTORES	171
CONTROLS ,AUXILIARY HYDRAULICS-TRACTOR FP - AP - H	172
PLATE FOR AUXILIARY HYDRAULIC VALVE-HIDROIRMA TYPE.	173
AUXILIARY HYDRAULICS VALVE STANDARD-HYDROIRMA TYPE STANDARD	174
AUXILIARY HYDRAULICS VALVE STANDARD-HYDROIRMA TYPE STANDARD	175
AUXILIARY HYDRAULICS FLOATING-HYDROIRMA TYPE FLOATING	176
AUXILIARY HYDRAULICS FLOATING-HYDROIRMA TYPE FLOATING	177
AUXILIARY HYDRAULICS VAVE KICK-OUT-HYDROIRMA TYPE KICK-OUT	178
AUXILIARY HYDRAULICS VAVE KICK-OUT-HYDROIRMA TYPE KICK-OUT	179
AUXILIARY HYDRAULIC VALVE LINES-WITH 1.0 DISTRIBUTOR	180
AUXILIARY HYDRAULIC VALVE LINES-WITH 2.0 DISTRIBUTORES	181
AUXILIARY HYDRAULIC VALVE LINES-TRACTOR FP-AP-H ,WITH N.3 HYDRA. VALVE	182
CONTROLS ,AUXILIARY HYDRAULICS-WITH 1.0 DISTRIBUTOR	183
CONTROLS ,AUXILIARY HYDRAULICS-WITH 2.0 DISTRIBUTORES	184
CONTROLS ,AUXILIARY HYDRAULICS-TRACTOR WITH N.3 HYDRA. VALVE	185
AUXILIARY HYDRAULICS VALVE-TILL TYPE STANDARD	186
AUXILIARY HYDRAULICS VALVE-TILL TYPE FLOATING	187
AUXILIARY HYDRAULIC VALVE LINES-WITH AUXILIARY HYDRAULIC VALVE CLEARANCE	188
AUXILIARY HYDRAULICS VALVE STANDARD-SALAMI TYPE STANDARD	189
AUXILIARY HYDRAULICS FLOATING-SALAMI TYPE FLOATING	190
AUXILIARY HYDRAULICS VAVE KICK-OUT-SALAMI TYPE KICK-OUT	191
AUXILIARY VALVE FOR HYDRAULIC ENGINE-SALAMI TYPE FOR HYDRAULIC ENGINE	192
ACCESSORIES HYDRAULIC-ADDITIONAL POWER OUTLET UNIT	193
LINKAGE-STANDARD VERSION	194
LINKAGE-STANDARD VERSION	195
LINKAGE-TRACTOR SP	196
LINKAGE-NOT INCLUDED GE TRACTOR	197
LINKAGE-TRACTOR GE	198
LINKAGE-NOT INCLUDED GE TRACTOR	199
LINKAGE-TRACTOR GE	200
LINKAGE	201
LINKAGE-MECANICS LIFT CYLINDER RIGTH	202

<https://www.ebooklibonline.com>

Hello dear friend!

Thank you very much for reading.

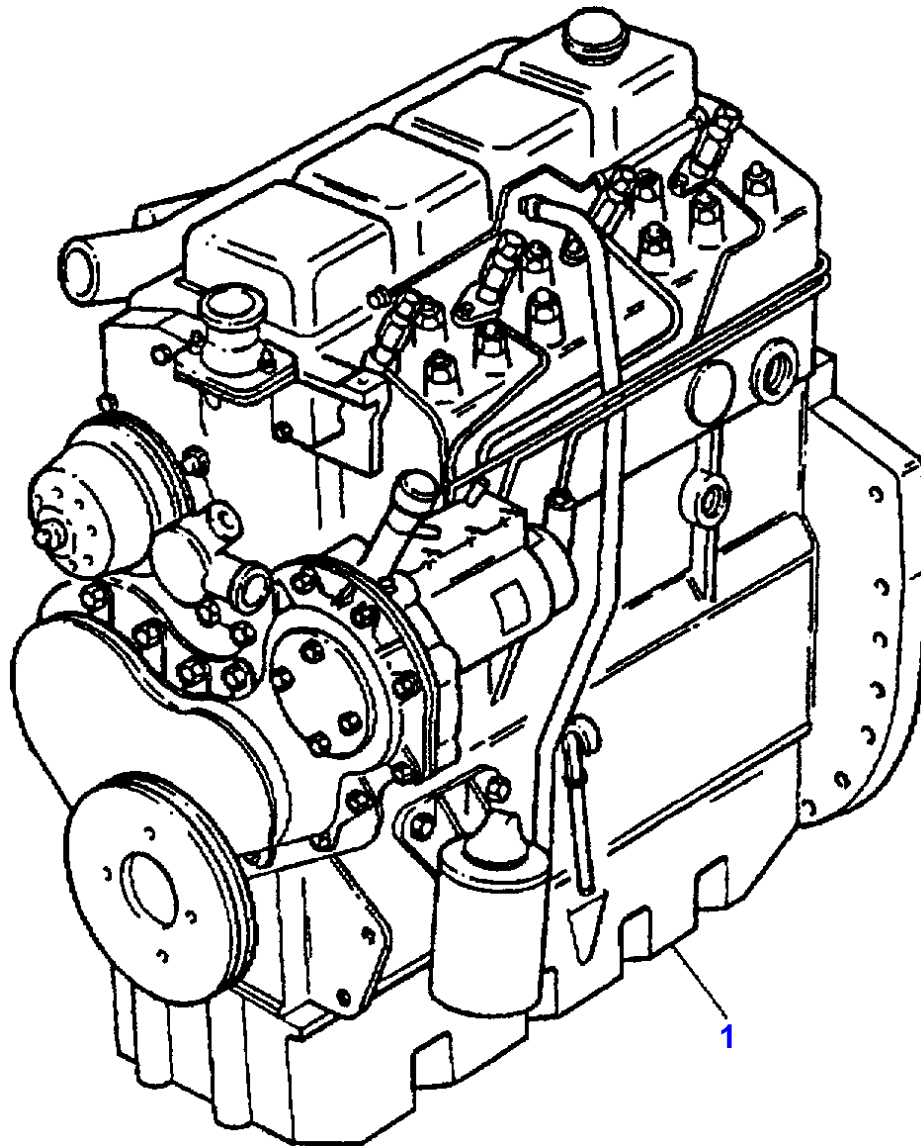
Enter the link into your browser.

The full manual is available for immediate download.

<https://www.ebooklibonline.com>

TABLE OF CONTENT

LINKAGE-TRACTOR FP - AP	203
LINKAGE-TRACTOR FP - AP	204
SHEET METAL-TRACTOR 384 SP - FP - AP - GE	205
SHEET METAL-TRACTORT AP	206
SHEET METAL-TRACTOR SP - FP - AP - GE	207
SHEET METAL-TRACTORT AP	208
SHEET METAL	209
SHEET METAL	210
COOLING SYSTEM-SHIELD FAN	211
TOOL BOX	212
DECALS	213
DECALS	214
DECALS	215
FENDERS - FRONT-4 WHEELS DRIVE	216
FENDERS AND PLATFORM-TRACTOR SP	217
FENDERS AND PLATFORM-TRACTOR FP - AP	218
FENDERS AND PLATFORM-TRACTOR GE	219
SEAT	220
SEAT-CHASSIS AND SUSPENSION	221
SAFETY FRAME-TRACTOR SP - FP - GE	222
SAFETY FRAME-TRACTORT AP	223
ROTATING LIGHT	224
WEIGHT FRAME AND WEIGHTS W	225
HITCH CONNECTIONS-WITHOUT HITCH	226
REAR HOOK	227
DRAWBAR-HEAVY DUTY	228
REAR HOOK-STANDARD TYPE	229
REAR HOOK-TRACTOR FP - AP - H	230
REAR HOOK-TRACTOR FP - AP - H	231
TOOL KIT	232
SEALERS AND LIQUID GASKETS ADHESIES	233



MASSEY FERGUSON

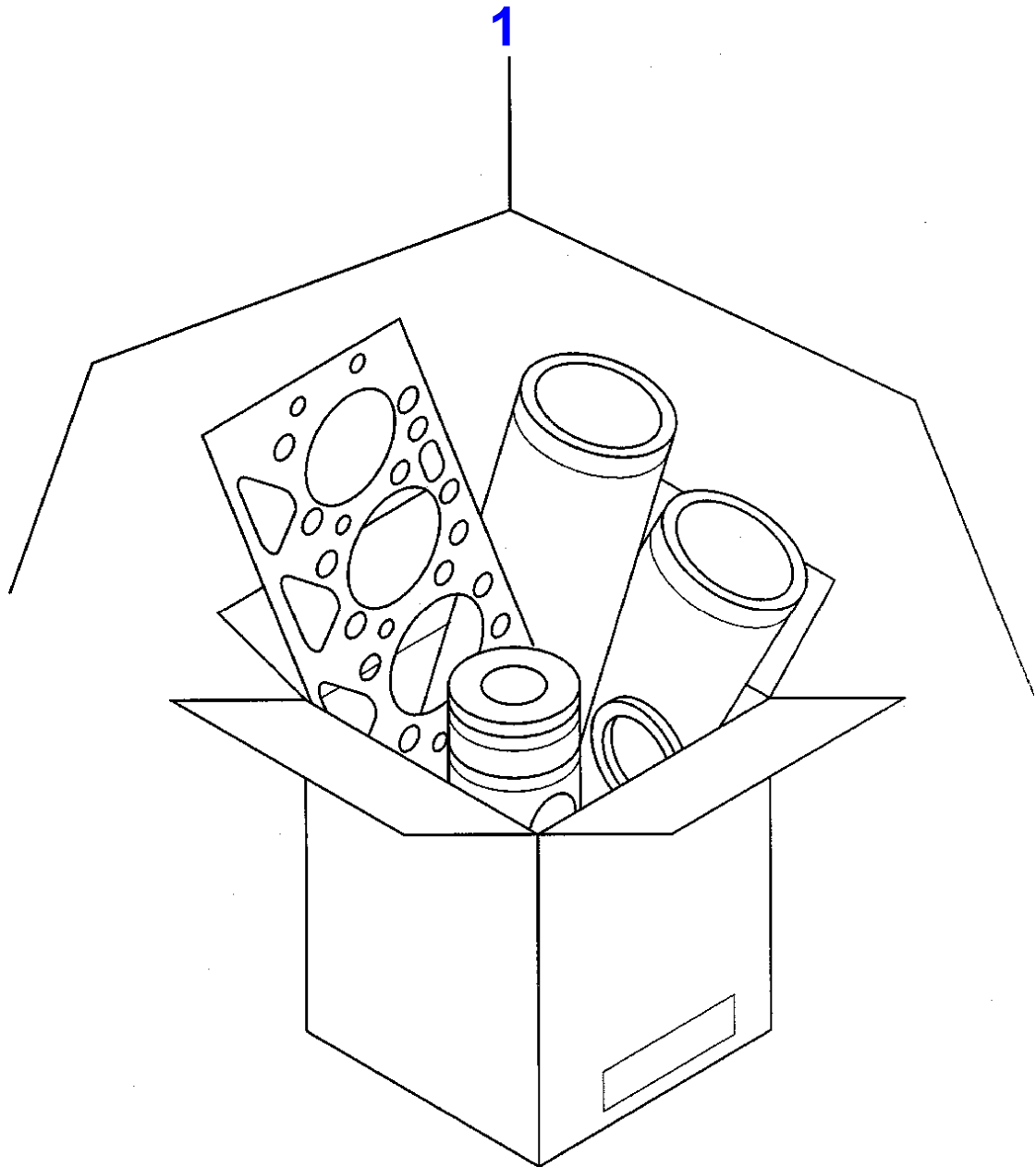
MF 384/3225 SP(X)-FP(X)-AP(X)-GE(X) FOOTSTEP TRACTOR - 3653992

3653992

ENGINE ASSEMBLY-A4.236 ENGINE

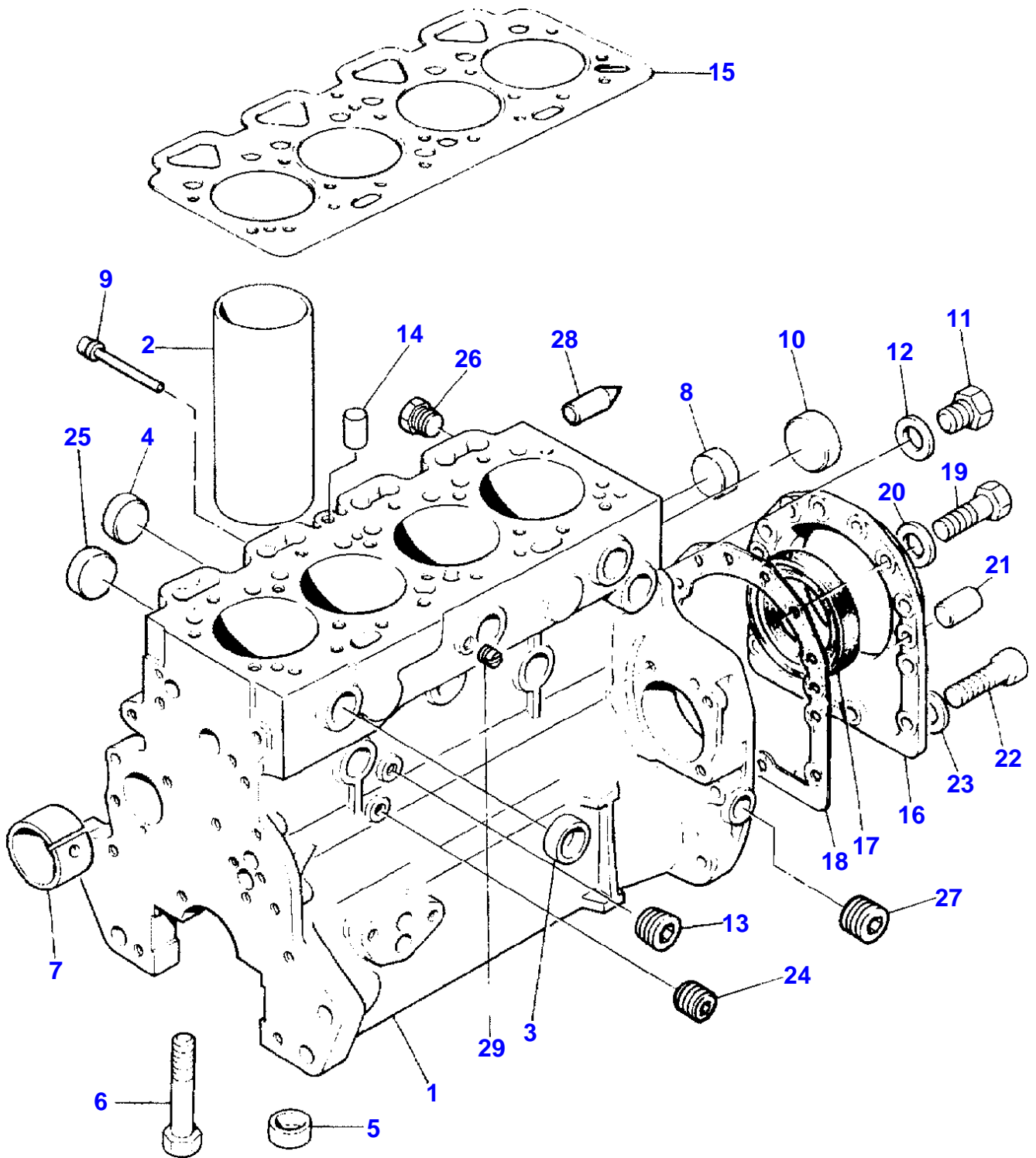
1

Item	Part Number	Qty	Description	Comments
1	3553122M91	1	Engine	[A] "LD31200"PK [A] WITH BLU ENGINE STD



SHORT ENGINE-A4.236 ENGINE

Item	Part Number	Qty	Description	Comments
1	LD39336	1	SHORT ENGINE	
2		1	HOUSING	[B] (1)
		4	LINER	(1)
		1		(1)
		4	PISTON	(1)
		4		(1)
		4	CONROD	(1)
		10		(1)
		8		(1)
		4	WASHER	(1)
		1	SEAL	(1)
		1	HOUSING	(1)
		22	BOLT	(1)
		1	GASKET	(1)
			[A]	
			WITH BLU ENGINE STD	
			[B]	
			COMPLETE WITH PLUGS	



CYLINDER BLOCK-A4.236 ENGINE

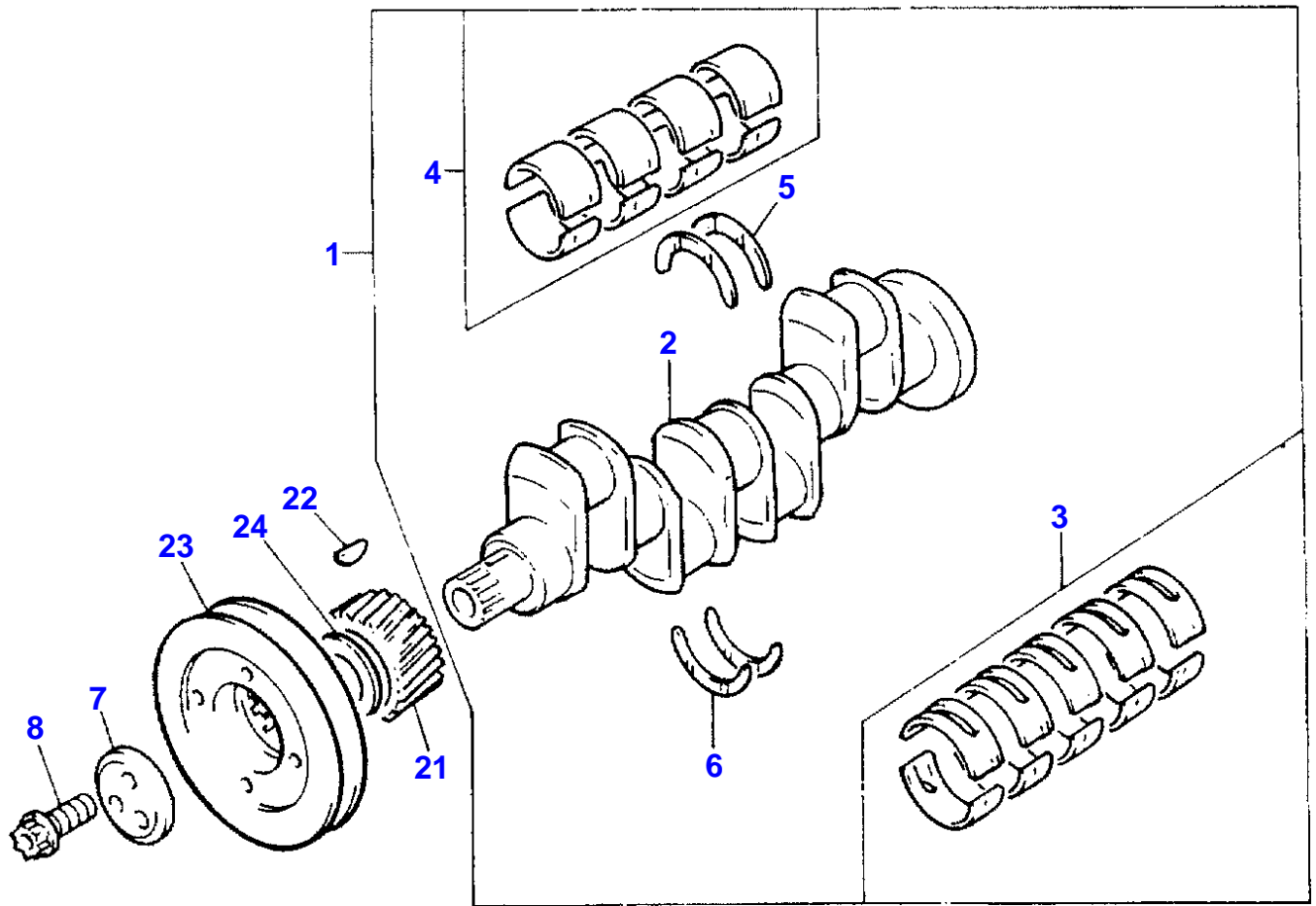
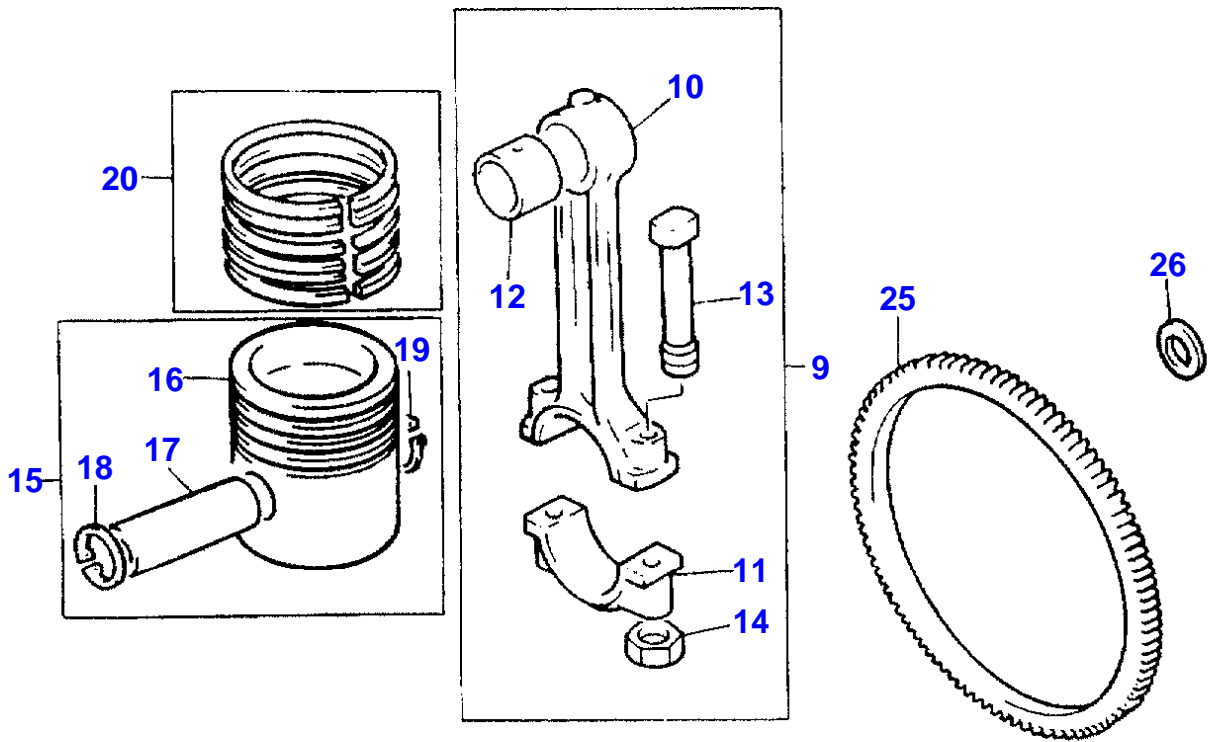
Item	Part Number	Qty	Description	Comments
1	ZZ50226	1	KIT	[C]
2	3135X031	4	Liner	[A, X] (1) . 4. 8. 16
2	3135X032	1	Liner	[B, X] . 4. 4. 8
3	0650710	6	Plug	(1)
4	32418122	4	Plug	(1)
5	33142111	10	Thimble	(1)
6	32166329	10	Bolt	(1)
7	31134165	1	BUSH	(1)
8	0650710	2	Plug	(1)
9	2485A204	1	Plug	(1)
10	32416119	1	PLUG	(1)
11	32168212	1	PLUG	(1)
12	3311R003	1	Washer	(1)
13	0650588	2	Plug	(1)
14	32417134	1	Plug	
15	3681E034	1	GASKET	[X] . 1. 2. 4
16	4142V066	1	FLANGE	
17	2418F475	1	Seal	[X] (16) . 1. 2. 4
18	3681T018	1	GASKET	
19	0746211	12	Bolt	
20	390972X1	12	Washer Metric	
21	0350009	2	Dowel	
22	2172530	2	Capscrew	
23	33112111	2	Washer	
24	0650594	1	Plug	
25	32416118	4	PLUG	
26	32161114	2	Plug	
27	0650588	1	Plug	
28	32452113	1	Pointer	
29	32114143	1	Plug	

[A]
PRESS FIT

[B]
SLIP FIT

[X]
QTY PER TRACTORS SOLD (AA.BBB.CCC.DDD) (AA) FOR 1 ,(BBB) 2-10 (CCC)
11-25 (DDD) 26-50

[C]
WITH BLU ENGINE STD



Item	Part Number	Qty	Description	Comments
1	ZZ90081P	1	SHAFT	[F] [X] . 0. 0. 1
2		1	SHAFT	(1) Not serviced, order REF.1
3	81558	1	Kit, Bearing	[A, X] (1) . 1. 2. 3
3	81558A	X	Kit, Bearing	[A] Thickness (-)0.25MM Thickness (-)0.010
3	81558B	X	Kit, Bearing	[A] Thickness (-)0.50MM Thickness (-)0.020
3	81558C	X	Kit, Bearing	[A] Thickness (-)0.75MM Thickness (-)0.030
4	85042	1	Kit, Bearing	[A, X] (1) . 0. 1. 2
4	85042A	X	Kit, Bearing	[A] Thickness (-)0.25MM Thickness (-)0.010
4	85042B	X	Kit, Bearing	[A] Thickness (-)0.50MM Thickness (-)0.020
4	85042C	X	Kit, Bearing	[A] Thickness (-)0.75MM Thickness (-)0.030
5	31137551	2	Thrust Washer	[X] (1) . 0. 2. 4
5	31137312	X	Thrust Washer	Thickness (+)0.19MM Thickness (+)0.0075
6	31137561	2	Thrust Washer	[X] (1) . 0. 2. 4
6	31137322	X	Thrust Washer	[X] Thickness (+)0.19MM Thickness (+)0.0075 . 1. 2. 4
7	3242T001	1	Thrust Block	[D]
8	32186139	3	Screw	[D]
9	ZZ90009	4	Kit, Conrod	[X] . 0. 4. 8
10		1	CONROD	(9) Not serviced, order REF.9
11		1	SUPPORT	(9) Not serviced, order REF.9
12	31134123	1	Bush	[X] (9) . 4. 8. 16
13	32762145	1	SCREW	[X] (9) . 4. 8. 16
14	33221328	1	Nut	[X] (9) . 4. 8. 16
15	U5LU0025	4	Kit, Piston	[B, X] . 4. 8. 16
15	U5LP0035	4	Kit, Piston	[C, X] . 4. 8. 16
16		1	PISTON	(15) Not serviced, order REF.15
17		1	PIN	(15) Not serviced, order REF.15
18	0170002	1	Circlip	(15)
19	0170002	1	Circlip	(15)
20	41158041	4	Kit, Piston Ring	[X] . 4. 8. 16
21	31171681	1	Gear,Crankshaft	[X] Number of teeth/spines 28 . 1. 2. 4
22	0500012	1	Woodruff Key	
23	31148798	1	Pulley,Crank	
24	33125416	1	Washer	[E]
25	3552228M1	1	CROWNWHEEL	Number of teeth/spines 115

MASSEY FERGUSON

MF 384/3225 SP(X)-FP(X)-AP(X)-GE(X) FOOTSTEP TRACTOR - 3653992

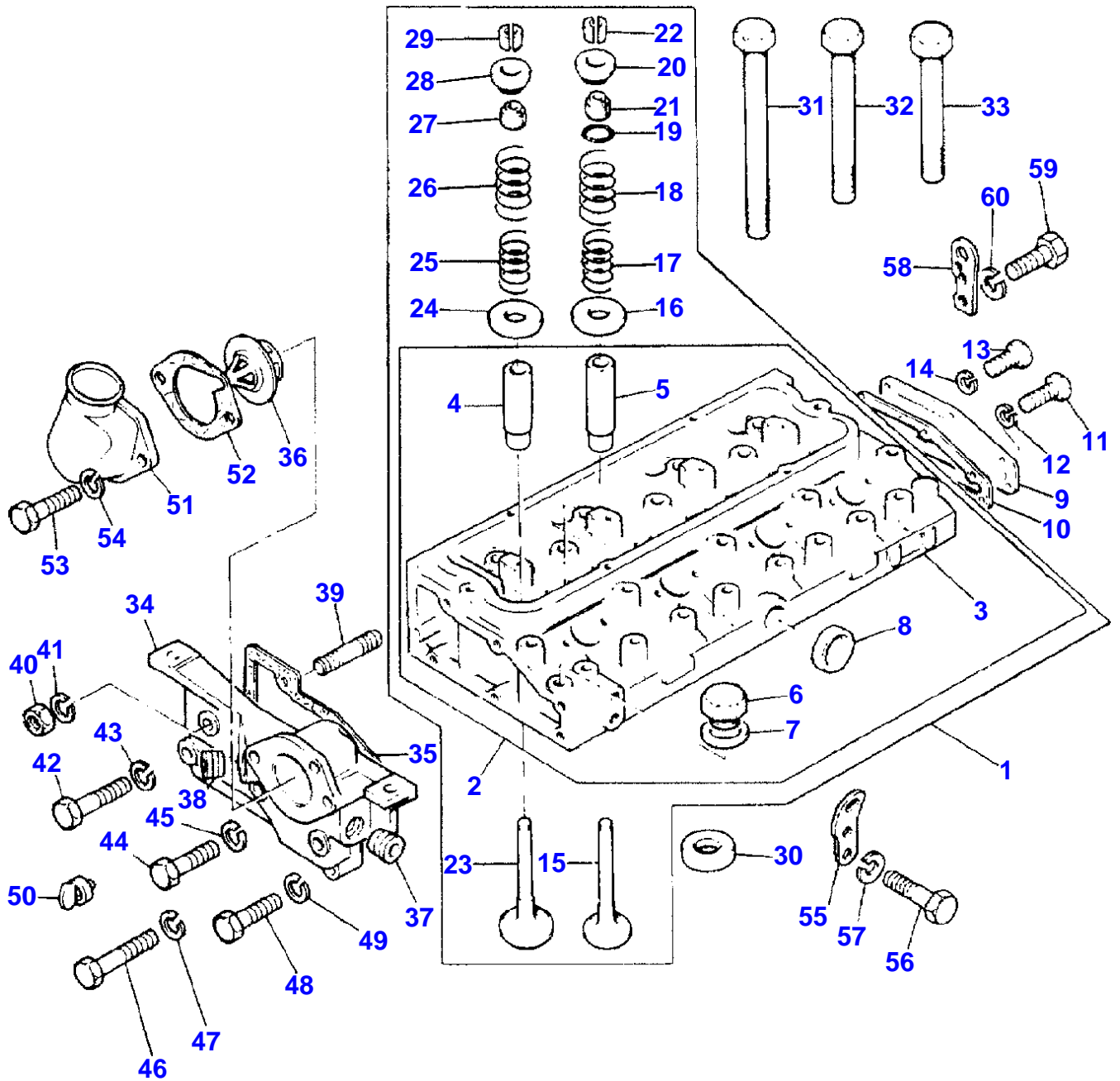
3653992

CRANKSHAFT, PISTONS AND CONNECTING RODS-A4.236 ENGINE

4

Item	Part Number	Qty	Description	Comments
26	33117127	6	Washer	

[A]
PRE-FINISHED
[C]
PRE-TOPPED
[B]
UNTOPPED
[X]
QTY PER TRACTORS SOLD (AA.BBB.CCC.DDD) (AA) FOR 1 ,(BBB) 2-10 (CCC)
11-25 (DDD) 26-50
[F]
WITH BLU ENGINE STD
[D]
NOT SUPPLIED WITH ASSEMBLY
[E]
USED ONLY WITH 31148797



CYLINDER HEAD-A4.236 ENGINE

Item	Part Number	Qty	Description	Comments
1	ZZ80175	1	CYLINDER HEAD	[X] . 0. 0. 1
2	ZZ80176P	1	CYLINDER HEAD	[F] (1)
3		1	CYLINDER HEAD	(2)
4	3343F041	4	GUIDE	Not serviced, order REF.2 [C, X] (2) . 0. 4. 8
5	3343F041	4	GUIDE	[C, X] (2) . 0. 4. 8
6	0650203	1	Plug	(2)
7	2411157	1	Washer	(2)
8	0650710	1	Plug	(2)
9	3623K007	1	Plate	
10	3687M018	1	GASKET	
11	0746452	2	Setscrew	
12	0920054	2	Washer	
13	2183205	4	Screw	
14	0920053	4	Washer	
15	31431881	4	Valve Exhaust	[D, G, X] Alternative 31431886 . 4. 8. 16
15	3142A052	4	Valve Exhaust	[C, H, X] (1) . 0. 4. 8
15	31431882	X	Valve Exhaust	[B, G, X] Thickness (+) 0,003 . 4. 8. 16
15	3142A053	X	Valve Exhaust	[B, H] Thickness (+) 0.003
15	31431883	X	Valve Exhaust	[B, G] Thickness (+) 0,015
15	3142A054	X	Valve Exhaust	[B, H] Thickness (+) 0,015
15	31431884	X	Valve Exhaust	[B, G] Thickness (+) 0,030
15	3142A055	X	Valve Exhaust	[B, H] Thickness (+) 0,030
16	33415118	4	Washer	[X] (1) . 4. 8. 16
17	31744131	4	Spring	[J, X] (1) . 4. 8. 16
17	31744133	4	Spring	[K] (1)
18	31745121	4	Spring	[J, X] (1) . 4. 8. 16
18	31745122	4	Spring	[K] (1)
19	2415B201	4	O Ring	[J, X] (1) . 4. 8. 16
20	33423147	4	Cap	[J, X] (1) . 4. 8. 16
20	33424107	4	Cap	[K] (1)
21	33817117	4	Seal	[X] (1) . 4. 8. 16
22	33173108	8	Cotter	[L, X] (1) . 4. 8. 16
23	31431641	4	Valve Inlet	[D, X] (1) . 0. 4. 8
23	31431315	4	Valve Inlet	[E] (1)
	31431401	X	Valve Inlet	[B, D, X] Thickness (+) 0.003 . 4. 8. 16
23	31431316	X	VALVE	[B, E] Thickness (+) 0.003
23	31431402	X	Valve Inlet	[B, D] Thickness (+) 0,015
23	31431317	X	VALVE	[B, E] Thickness (+) 0,015
23	31431403	X	Valve Inlet	[B, D] Thickness (+) 0,030

MASSEY FERGUSON

MF 384/3225 SP(X)-FP(X)-AP(X)-GE(X) FOOTSTEP TRACTOR - 3653992

3653992

CYLINDER HEAD-A4.236 ENGINE

5

Item	Part Number	Qty	Description	Comments
23	31431318	X	VALVE	[B, E] Thickness (+) 0,030
24	33415118	4	Washer	[X] (1) . 0. 4. 8
25	31744131	4	Spring	[J, X] (1) . 4. 8. 16
25	31744133	4	Spring	[K] (1)
26	31745121	4	Spring	[J, X] (1) . 0. 4. 8
26	31745122	4	Spring	[K] (1)
27	33817117	4	Seal	[X] (1) . 0. 4. 8
28	33423147	4	Cap	[J, X] (1) . 0. 4. 8
28	33424107	4	Cap	[K] (1)
29	33173108	8	Cotter	[L, X] (1) . 0. 4. 8
30	33152153	4	Insert	[X] (1) . 1. 2. 6
31	32166337	2	Screw	
32	32166338	12	Bolt	
33	32166339	8	Screw	
34	37762705	1	Body	
34	3545576M1	1	BODY	[B]
35	3685F005	1	GASKET	[X] . 2. 4. 8
36	2485659	1	Thermostat	[X] . 1. 2. 6
37	2431154	1	Plug	
38	2431154	1	Plug	
39	2217202	1	Stud	
40	2188135	1	Nut	
41	0920054	1	Washer	
42	0096238	1	Bolt	
43	0920053	1	Washer	
44	0096439	1	Bolt	
45	0920054	1	Washer	
46	2183205	2	Screw	
47	0920053	2	Washer	
48	0746459	2	SCREW	
49	0920054	2	Washer	
50	2485791	1	Pin	
51		1	MANIFOLD	[I]
52	36862225	1	GASKET	[X] . 2. 4. 16
53	0746458	2	SCREW	
54	0920054	2	Washer	
55	3648C004	1	Plate	
56	353537X1	2	Screw Unf	
57	0920054	2	Washer	
58	36177111	1	Plate	
59	353537X1	2	Screw Unf	
60	0920054	2	Washer	

[L]
SERVICED IN PAIRS
[X]
QTY PER TRACTORS SOLD (AA.BBB.CCC.DDD) (AA) FOR 1 ,(BBB) 2-10 (CCC)
11-25 (DDD) 26-50
[G]
USED ONLY WITH ZZ80015/ZZ80072 ..
[A]
WITH BLU ENGINE STD
[B]
WITH CONDITIONED AIR
[E]
USED ONLY WITH ZZ80062/ZZ80072 (CYLINDER HEAD)
[K]
USED ONLY WITH ZZ80072
[F]

MASSEY FERGUSON

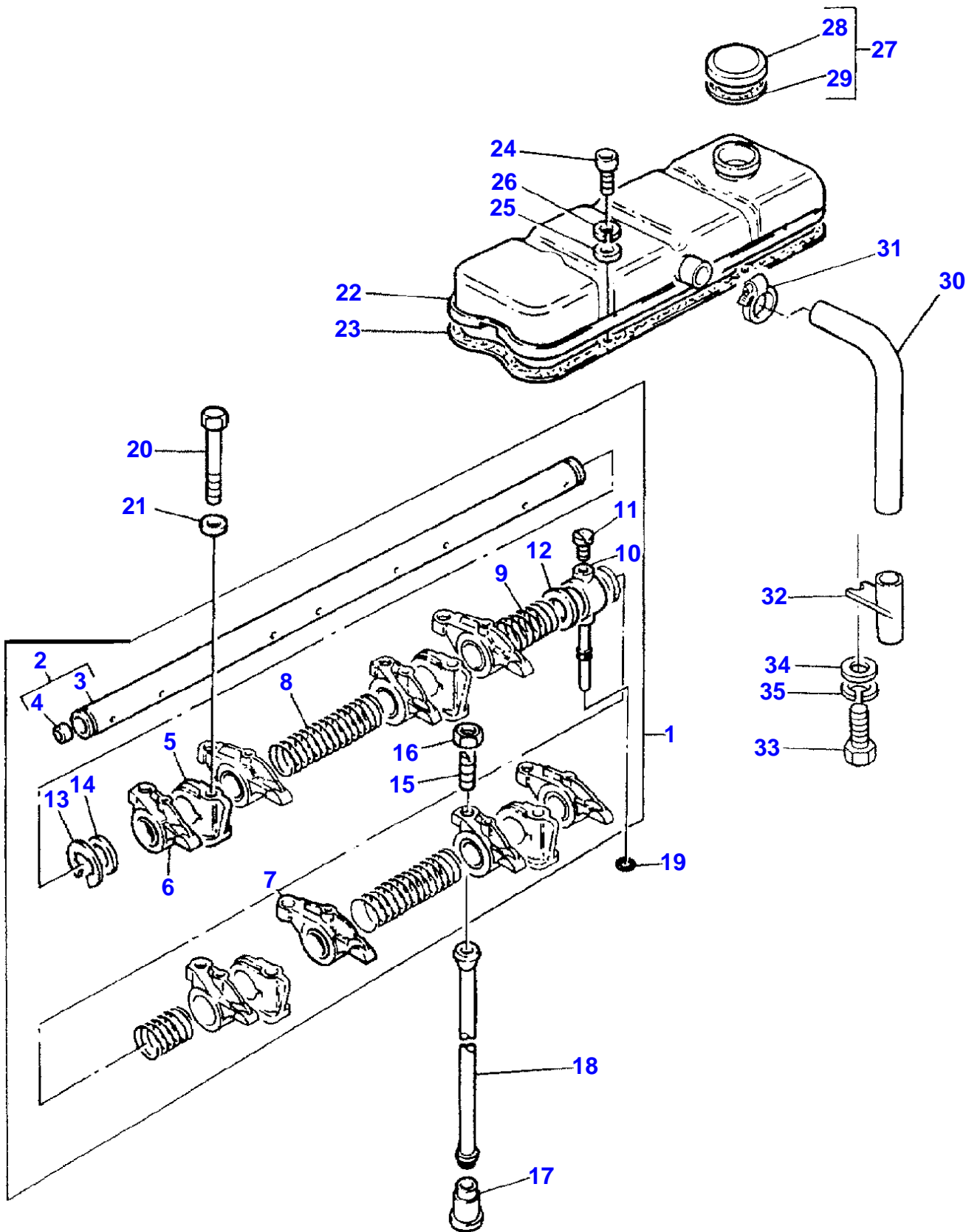
MF 384/3225 SP(X)-FP(X)-AP(X)-GE(X) FOOTSTEP TRACTOR - 3653992

3653992

CYLINDER HEAD-A4.236 ENGINE

5

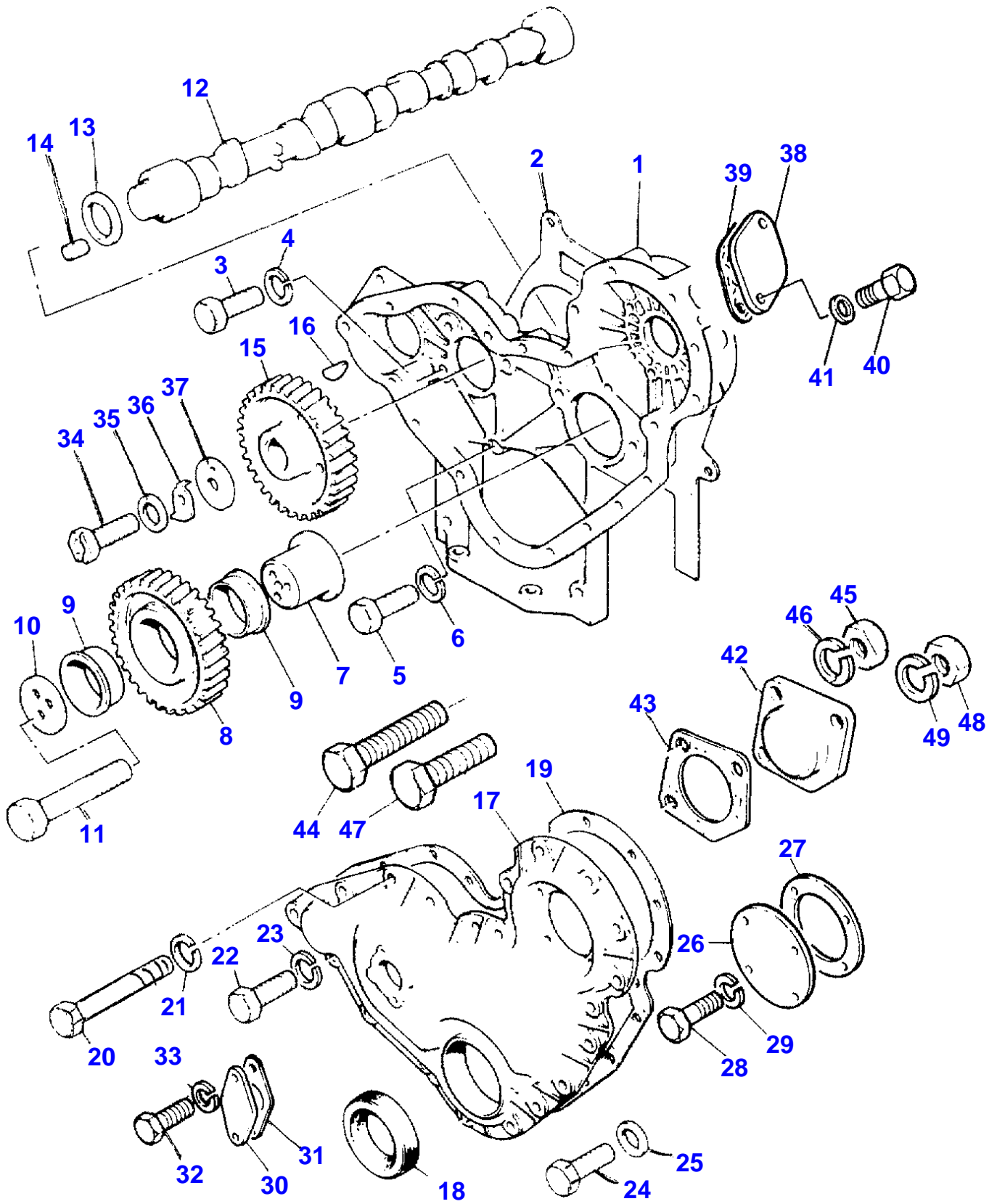
Item	Part Number	Qty	Description	Comments
				MINOR ASSEMBLY
				[C]
				REMOVE AND FIT 31431881
				[D]
				FITTED IN PLACE OF EXHAUST VALVES SUPPLIED WITH CY LINDER HEAD ASSEMBLY
				[I]
				NOT SUPPLIED BY PERKINS ENGINES LIMITED.
				[J]
				USED ONLY WITH ZZ80015/ZZ80062
				[H]
				USED ONLY WITH ZZ80062



ROCKER SHAFT-A4.236 ENGINE

Item	Part Number	Qty	Description	Comments
1	ZZ90158	1	SHAFT	[D] [X] . 1. 2. 8
2	ZZ90032	1	Rocker Shaft	[X] (1) . 1. 2. 4
3		1	SHAFT	(2) Not serviced, order REF.2
4	0650507	2	Plug	[X] (2) . 0. 2. 4
5	3818X901	4	Bracket	(1)
6	41151484	4	LEVER	(1) Right Hand
7	41151483	4	LEVER	(1) Left Hand
8	31744123	2	Spring	(1)
9	31743108	2	Spring	(1)
10	3775E012	1	Connection	[A] (1)
11	2231236	1	Setscrew	[B]
	2233022	1	Screw	[C] (1)
12	33117426	2	Shim	(1)
13	0170151	2	Circlip	(1)
14	33117434	2	Washer	(1)
15	0720579	8	Screw	(1)
16	0576052	8	Nut	(1)
17	3142U031	8	TAPPET	[X] . 0. 8. 16
18	31434307	8	Pushrod	[X] . 0. 8. 16
19	376525X1	1	Olive	
20	0096634	4	Screw	
21	0920006	4	Washer	
22	37188141	1	COVER	
23	3681A027	1	Joint	[X] . 2. 4. 10
24	2172513	4	Screw	
25	0920002	4	Washer	
26	0920052	4	Washer	
27	2487845	1	Cap	[X] . 1. 2. 4
28		1	PLUG	(27) Not serviced, order REF.27
29	24870002	1	Joint	(27)
30	33872516	1	Pipe,Breather	
31	21825195	1	Clip	
32	35731144	1	Pipe,Breather	
33	0096215	1	Screw	Up to Serial or Engine Number U226708S
	2187333	1	Screw	From Serial or Engine Number U226709S
34	390972X1	1	Washer Metric	Up to Serial or Engine Number U226708S
35	0920053	1	Washer	Up to Serial or Engine Number U226708S

[X]
QTY PER TRACTORS SOLD (AA.BBB.CCC.DDD) (AA) FOR 1 ,(BBB) 2-10 (CCC)
11-25 (DDD) 26-50
[D]
WITH BLU ENGINE STD
[A]
WAS 3775E011 USE 3775E012/2233022.
[B]
USED ONLY WITH 3775E011
[C]
USED ONLY WITH 3775E012



MASSEY FERGUSON

MF 384/3225 SP(X)-FP(X)-AP(X)-GE(X) FOOTSTEP TRACTOR - 3653992

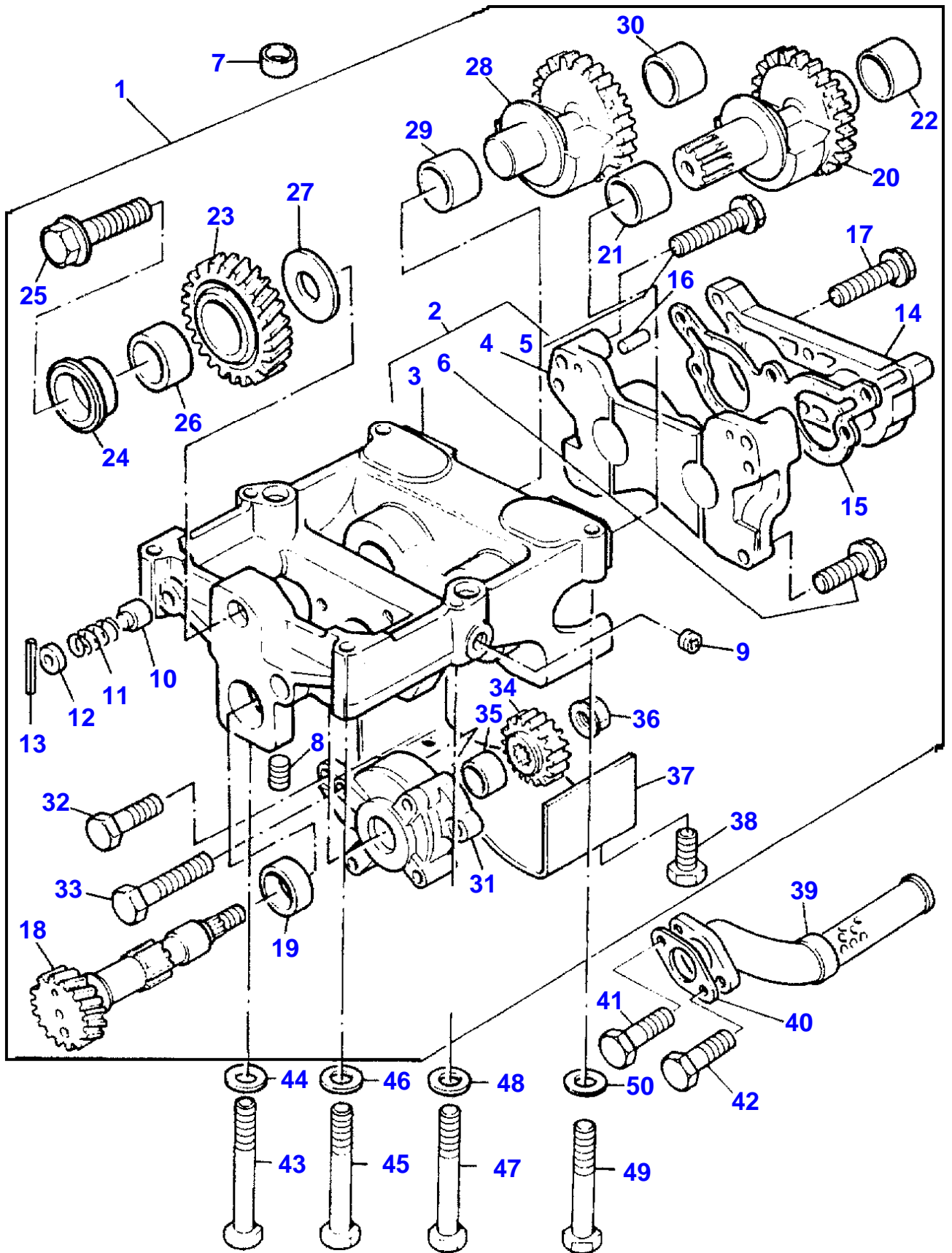
3653992

TIMING GEAR AND CAMSHAFT-A4.236 ENGINE

7

Item	Part Number	Qty	Description	Comments
1	37162001	1	BODY	[A]
2	36814162	1	GASKET	[X] . 1. 2. 8
3	2183205	8	Screw	
4	0920053	8	Washer	
5	0746211	1	Bolt	
6	0920053	1	Washer	
7	33426161	1	Hub	
8	41115023	1	Idler	Number of teeth/spines 63
9	0050345	2	Bush	(8)
10	3241H009	1	PLATE	
11	2184634	3	Screw	
12	31415374	1	Camshaft	
13	33153121	1	Washer	
14	2116053	1	Pin	
15	3117L012	1	GEAR	Number of teeth/spines 56
16	0500012	1	Woodruff Key	
17	4142A041	1	COVER	
18	2418F436	1	Seal	[X] . 1. 2. 8
19	3681P015	1	GASKET	[X] . 1. 2. 8
20	0096238	4	Bolt	
21	0920053	4	Washer	
22	2183205	1	Screw	
23	0920053	1	Washer	
24	2183205	4	Screw	
25	0920053	4	Washer	
26	3241H004	1	Plate	
27	33825427	1	GASKET	
28	2183203	4	Screw	
29	0920053	4	Washer	
30	36171121	1	Plate	
31	36833163	1	GASKET	
32	2183104	2	Screw	
33	0920052	2	Washer	
34	32161217	1	Screw	
35	33115408	1	Washer	
36	31733121	1	Washer	
37	33153128	1	Washer	
38	36235118	1	PLATE	
39	36862199	1	GASKET	
40	2183204	2	Screw	
41	0920053	2	Washer	
42	37556148	1	Plate	
43	36861466	1	GASKET	
44	0748505	1	Screw	
45	2238153	1	Nut	
46	0920054	1	Washer	
47	2232151	2	Screw	
48	2238153	2	Nut	
49	0920054	2	Washer	

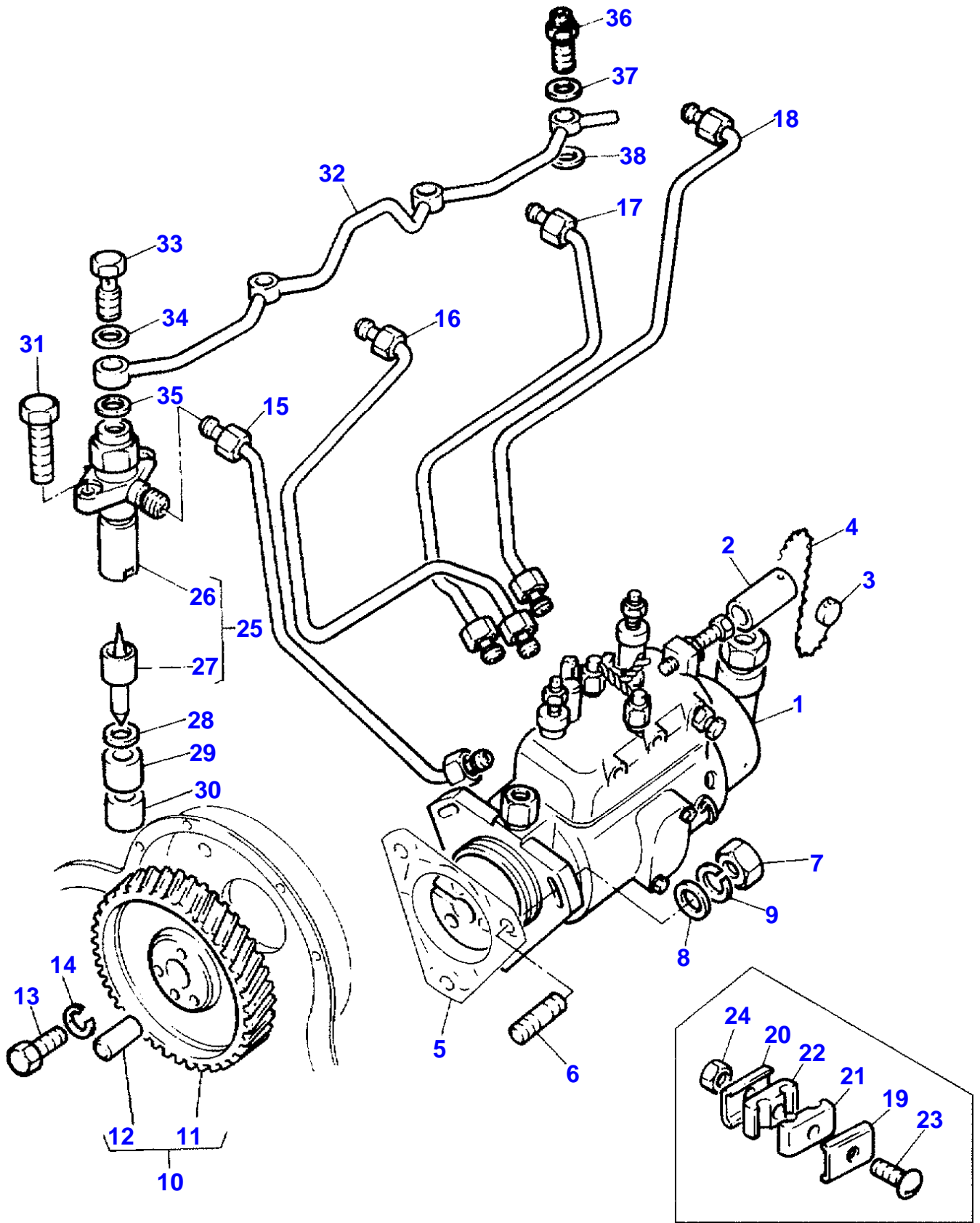
[X]
QTY PER TRACTORS SOLD (AA.BBB.CCC.DDD) (AA) FOR 1 ,(BBB) 2-10 (CCC)
11-25 (DDD) 26-50
[A]
WITH BLU ENGINE STD



BALANCER UNIT-A4.236 ENGINE

Item	Part Number	Qty	Description	Comments
1	4111K051	1	Balancer	[A] [X]
2	4145L007	1	Frame	(1)
3		1	FRAME	(2) Not serviced, order REF.N.2
4		1	WEIGHT	(2) Not serviced, order REF.N.2
5	2315C052	4	Screw	(2)
6	2314J005	2	Screw	(2)
7	33137408	2	Thimble	(1)
8	32558314	1	Plug	(1)
9	2431A054	1	Plug	(1)
10	3272E005	1	Plunger	(1)
11	3174D004	1	Spring	(1)
12	3342A611	1	Cap	(1)
13	2116A056	1	Pin	(1)
14	3753R221	1	Cover	(1)
15	3687M006	1	Joint	(1)
16	0350042	2	Dowel	(1)
17	2315C052	4	Screw	(1)
18	3117V003	1	Shaft	(1) Number of teeth/spines 21
19	2551A009	1	Bearing Needle	(1)
20	3116K014	1	Weight	[X] (1) Number of teeth/spines 16/38
21	2511A730	1	Bush	[X] (1)
22	2511A730	1	Bush	[X] (1)
23	3117C071	1	Gear,Balancer	(1) Number of teeth/spines 37
24	33451804	1	Hub	(1)
25	2314J606	1	Screw	(1)
26	2551A201	1	Bearing Needle	(1)
27	3321A002	1	Washer	(1)
28	3116K004	1	Weight	[X] (1) Number of teeth/spines 28
29	2511A730	1	Bush	(1)
30	2511A730	1	Bush	(1)
31	4132F041	1	Oil Pump	[X] (1)
32	2314H006	1	Screw	(1)
33	2314H012	2	Screw	(1)
34	3116W001	1	Gear,Balancer	(1) Number of teeth/spines 24
35	2551A014	1	Bearing Needle	(1)
36	33531136	1	Nut	(1)
37	3661K001	1	Cover	(1)
38	2314C034	1	Screw	(1)
39		1	PIPE	[X]
40	3683L005	1	GASKET	
41	2314H006	1	Screw	
42	2314H012	1	Screw	
43	2185551	1	SCREW	
44	33115129	1	Washer	
45	0096441	2	Bolt	
46	33115129	2	Washer	
47	0096441	1	Bolt	
48	33115129	1	Washer	
49	0096439	2	Bolt	
50	33115129	2	Washer	

[X]
 QTY PER TRACTORS SOLD (AA.BBB.CCC.DDD) (AA) FOR 1 ,(BBB) 2-10 (CCC)
 11-25 (DDD) 26-50
 [A]
 WITH BLU ENGINE STD



FUEL INJECTION EQUIPMENT-A4.236 ENGINE

Item	Part Number	Qty	Description	Comments
1	38377	1	Injection Pump	[A] [B] Up to Serial or Engine Number U208937P
1	2643C278	1	Injection Pump	[B, X] From Serial or Engine Number U208938P . 1. 2. 4
2	3281M002	1	SLEEVE	
3	31718104	1	Seal	
4	31718105	1	Wire	
5	3687H011	1	GASKET	
6	2217139	3	Stud	
7	0576002	3	Nut	
8	390972X1	3	Washer Metric	
9	0920053	3	Washer	
10	41115136	1	Gear, Fuel Pump	Number of teeth/spines 56
11		1	GEAR	(10) Not serviced, order REF.10
12	0350010	1	Dowel	(10)
13	353517X1	3	Screw Unf	
14	0920053	3	Washer	
15	35343136	1	PIPE	[X] NO.1 CYL. . 1. 2. 4
16	35343137	1	NOZZLE	[X] NO.2 CYL. . 1. 2. 4
17	35343138	1	PIPE	[X] NO.3 CYL. . 1. 2. 4
18	35343139	1	PIPE	[X] NO.4 CYL. . 1. 2. 4
19	733869M1	2	Channel	
20	733869M1	2	Channel	
21	733868M1	2	Clip	
22	733868M1	2	Clip	
23	0726505	2	Setscrew	
24	2211401	2	Nut	
25	2645L003	4	ATOMISER	[X] . 4. 8. 16
26	2646460	1	Holder	(25)
27	2646842	1	Nozzle	[X] (25) . 8. 16. 16
28	0921173	4	Washer	[X] . 8. 16. 16
29	33813129	4	Spacer	[X] . 4. 8. 16
30	33813131	4	Seal	[X] . 8. 16. 16
31	0746259	8	SCREW	
32	3558X011	1	Leak-Off Pipe	[X] . 1. 2. 4
33	0095315	3	Banjo Bolt	
34	0920107	3	Washer	[X] . 0. 8. 16
35	0920107	3	Washer	
36	0201526	1	Union	
37	0920107	1	Washer	
38	0920107	1	Washer	

[B]
COMPONENT PARTS SUPPLIED BY C.A.V. LTD
[X]
QTY PER TRACTORS SOLD (AA.BBB.CCC.DDD) (AA) FOR 1 ,(BBB) 2-10 (CCC)
11-25 (DDD) 26-50
[A]
WITH BLU ENGINE STD



Suggest:

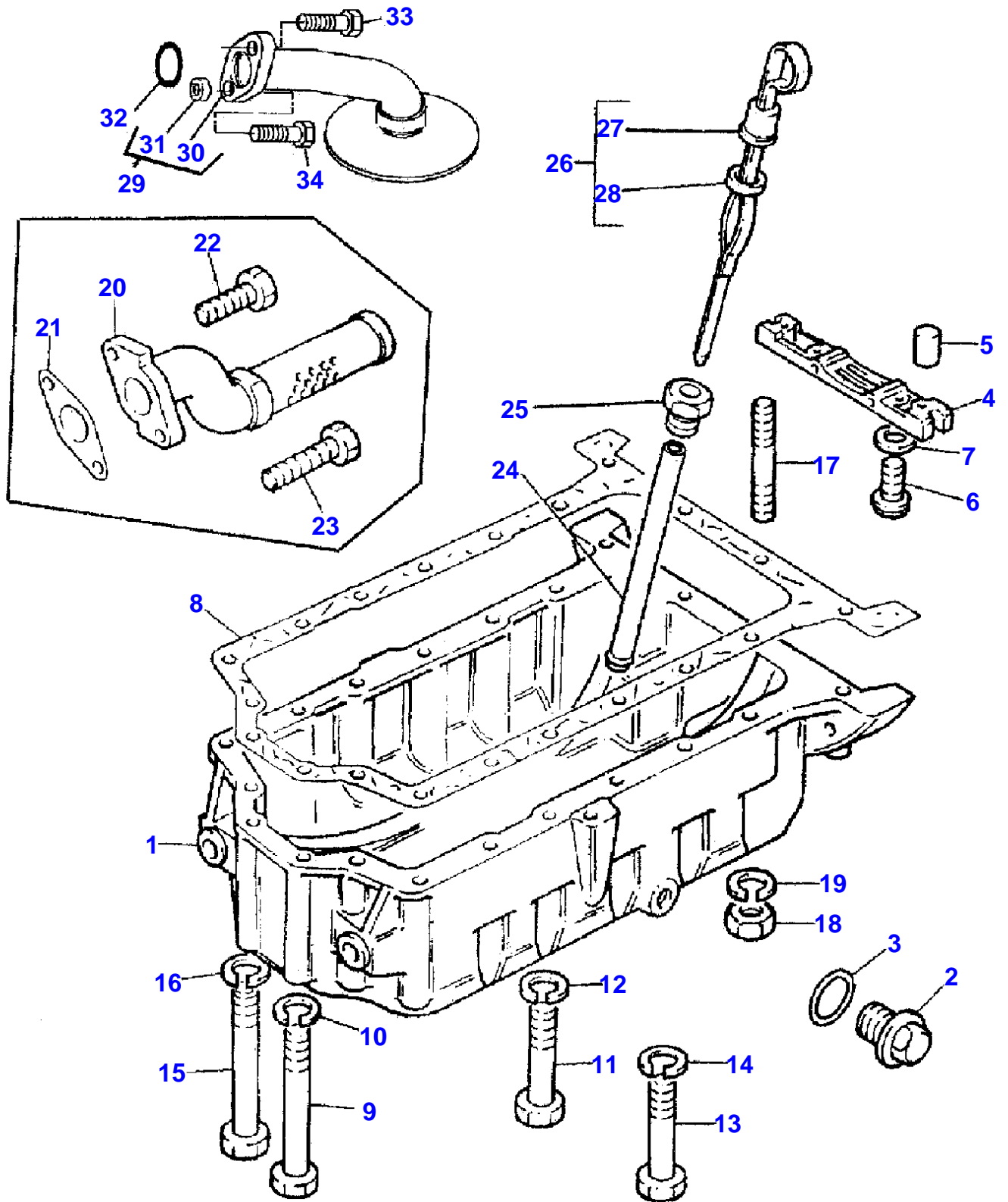
If the above button click is invalid.

Please download this document

first, and then click the above link

to download the complete manual.

Thank you so much for reading



<https://www.ebooklibonline.com>

Hello dear friend!

Thank you very much for reading.

Enter the link into your browser.

The full manual is available for immediate download.

<https://www.ebooklibonline.com>