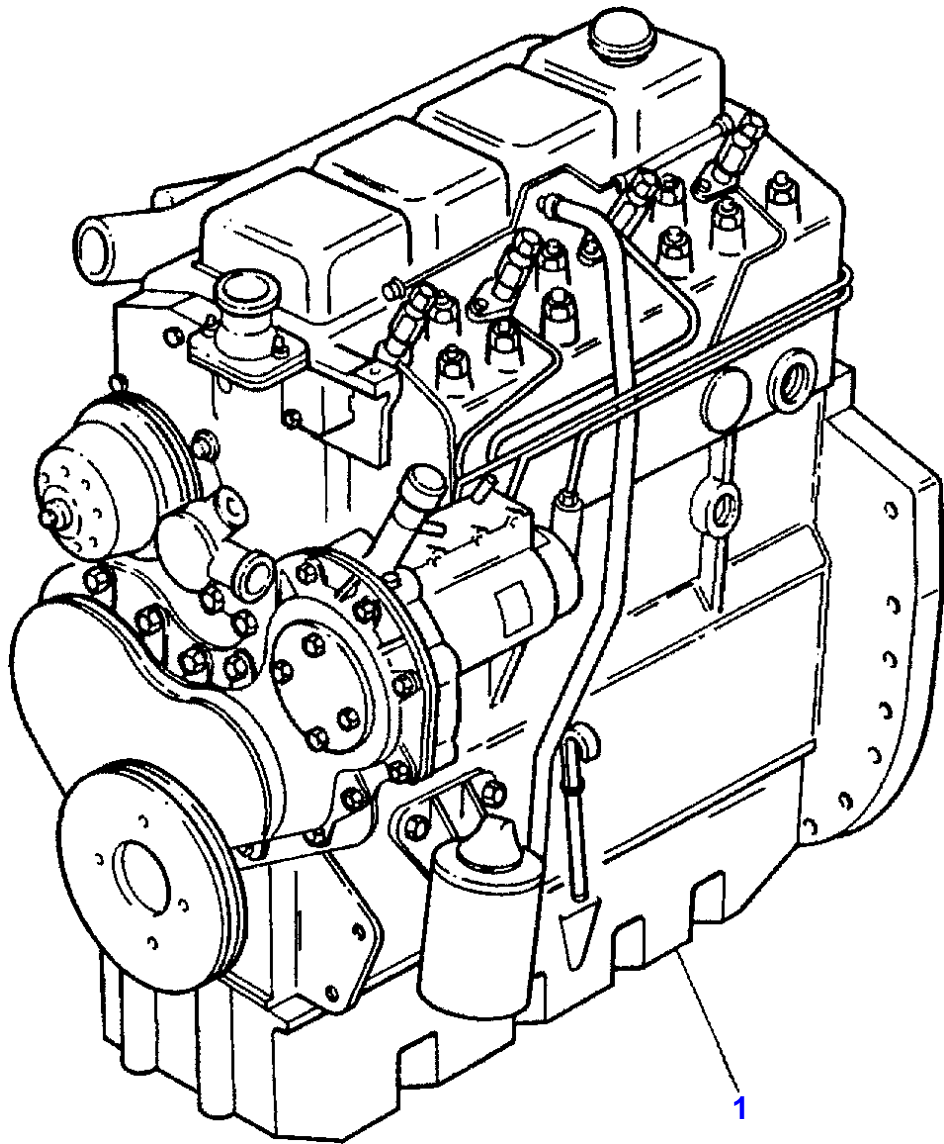


Page Title	Page Number
ENGINE ASSEMBLY-A4.236 ENGINE	1
SHORT ENGINE-A4.236 ENGINE	2
CYLINDER BLOCK-A4.236 ENGINE	3
CRANKSHAFT, PISTONS AND CONNECTING RODS-A4.236 ENGINE	4
CYLINDER HEAD-A4.236 ENGINE	5
ROCKER SHAFT-A4.236 ENGINE	6
TIMING GEAR AND CAMSHAFT-A4.236 ENGINE	7
BALANCER UNIT-A4.236 ENGINE	8
FUEL INJECTION EQUIPMENT-A4.236 ENGINE	9
LUBRICATING OIL SUMP-A4.236 ENGINE	10
LUBRICATING OIL FILTER AND INTEGRAL COOLER-A4.236 ENGINE	11
WATER PUMP, THERMOSTAT AND HEAT EXCHANGER-A4.236 ENGINE	12
FUEL SYSTEM AND FILTER-A4.236 ENGINE	13
AIR INDUCTION AND EXHAUST SYSTEM-A4.236 ENGINE	14
ALTERNATOR POSITIONER-A4.236 ENGINE	15
JOINTS AND GASKETS-A4.236 ENGINE	16
ALTERNATOR-LUCAS	17
ALTERNATOR-VALEO TYPE	18
ALTERNATOR-ISKRA TYPE	19
STARTER MOTOR-MARELLI	20
STARTER MOTOR-ISKRA TYPE	21
STARTER MOTOR-BOSCH	22
COOLING SYSTEM-FAN AND HOSES	23
COOLING SYSTEM-RADIATOR AND BRACKET	24
FUEL SYSTEM	25
FUEL TANK-TANK STD	26
AIR FILTER	27
DRY AIR FILTER-DRY AIR CLEANER	28
EXHAUST SYSTEM	29
EXHAUST SYSTEM	30
THROTTLE CONTROLS	31
INSTRUMENT PANEL-CENTRAL ELECTRICAL EQUIPEMENT.	32
INSTRUMENT PANEL-POINTERS	33
BATTERY BATTERY CASE	34
ELECTRONIC HARNESS-CENTRAL ELECTRICAL EQUIPEMENT.	35
ELECTRICAL WIRING-REAR	36
SENSORS HARNESS-FRONT	37
LIGHTING EQUIPMENT-LIGHTS	38
CLUTCH-LUK - 11	39
CLUTCH-O.M.G. - 11	40
CLUTCH PEDAL AND LINKAGE	41
CLUTCH PEDAL AND LINKAGE-CLUTCH SHAFT BRAKING SISTEM WITH STANDARD TRAN	42
CLUTCH PEDAL AND LINKAGE-CLUTCH SHAFT BRAKING SISTEM WITH SHUTTLE VERSI	43
CENTRE AXLE HOUSING AND TRANSMISSION HOUSING	44
CENTRE AXLE HOUSING AND TRANSMISSION HOUSING	45
TRANSFER GEAR BOX-CONTROL COVER	46
TRANSMISSION	47
TRANSMISSION	48
TRANSMISSION CONTROL-DRIVING LEVER AND COVER HOUSING	49
TRANSMISSION CONTROL-STANDARD VERSION	50
TRANSMISSION-SHUTTLE AND CREEPER VERSION	51
REDUCER CONTROL OPZIONS-SHUTTLE AND CREEPER VERSION	52
TRANSMISSION CONTROL-SHUTTLE AND CREEPER VERSION	53
TRANSMISSION-OVERDRIVE AND SHUTTLE VERSION	54
REDUCER CONTROL OPZIONS-OVERDRIVE AND SHUTTLE VERSION	55
TRANSMISSION CONTROL-OVERDRIVE AND SHUTTLE VERSION	56
PTO SHAFT-STANDARD TYPE	57
PTO SHAFT-540/750/1000 R.P.M.	58
REAR AXLE	59
BRAKE AND CONTROLS	60
BRAKE AND CONTROLS	61
STEERING CLUTCH	62
STEERING CLUTCH-PIPINGS	63
STEERING CLUTCH	64
STEERING CLUTCH-DRIVING LEVER	65
STEERING CLUTCH-PIPINGS	66

TABLE OF CONTENT

ACCESSORIES MISCELLANEOUS	67
BRAKES	68
TRACK ADJUSTER	69
TRACK CHAIN-TRACK CHAIN	70
SUSPENSION TRACK CHAIN-FRONT - REAR	71
SUSPENSION TRACK CHAIN-TRACK CARRIER	72
UPPER ROLLER	73
LOWER ROLLER	74
HYDRAULIC EQUIPMENT	75
HYDRAULIC EQUIPMENT-HEAT EXCHANGER	76
HYDRAULIC PUMP-BOSCH	77
HYDRAULIC PUMP-TUROLLA	78
HYDRAULIC LIFT VALVE	79
HYDRAULIC LIFT	80
HYDRAULIC LIFT	81
MECHANICAL CONTROL LIFT	82
MECHANICAL CONTROL LIFT	83
AUXILIARY HYDRAULIC VALVE LINES	84
AUXILIARY HYDRAULIC VALVE LINES-2 OR 3 DISTRIBUTORS	85
CONTROL VALVE-O.M.C. TYPE	86
AUXILIARY HYDRAULICS VALVE-STANDARD TYPE	87
AUXILIARY HYDRAULICS VALVE-FLOATING	88
AUXILIARY HYDRAULIC VALVE LINES	89
AUXILIARY HYDRAULIC VALVE LINES-2 OR 3 DISTRIBUTORS	90
AUXILIARY HYDRAULICS VALVE STANDARD-TILL TYPE	91
AUXILIARY HYDRAULICS FLOATING-TILL TYPE	92
AUXILIARY HYDRAULIC VALVE LINES	93
AUXILIARY HYDRAULIC VALVE LINES-2 OR 3 DISTRIBUTORS	94
CONTROL VALVE-HIDROIRMA TYPE.	95
AUXILIARY HYDRAULICS VALVE STANDARD-HIDROIRMA TYPE.	96
AUXILIARY HYDRAULICS FLOATING-HIDROIRMA TYPE.	97
LINKAGE	98
SHEET METAL	99
SHEET METAL	100
SHEET METAL-BRACKETS AND ASSEMBLING PARTS	101
DECALS-	102
DECALS-	103
FENDERS AND PLATFORM	104
GUARDS-TRACK ROLLERS GUARDS	105
REAR SHEET METAL	106
SAFETY FRAME-FRONT	107
SEAT-STANDARD TYPE	108
SEAT-LUX TYPE	109
SEAT-STANDARD VERSION	110
SEAT-LUX TYPE	111
WEIGHT FRAME AND WEIGHTS W-FRONT HOOK	112
REAR HOOK-FOR ITALY	113
DRAWBAR-	114
TOOL KIT-	115



<https://www.ebooklibonline.com>

Hello dear friend!

Thank you very much for reading.

Enter the link into your browser.

The full manual is available for immediate download.

<https://www.ebooklibonline.com>

MASSEY FERGUSON

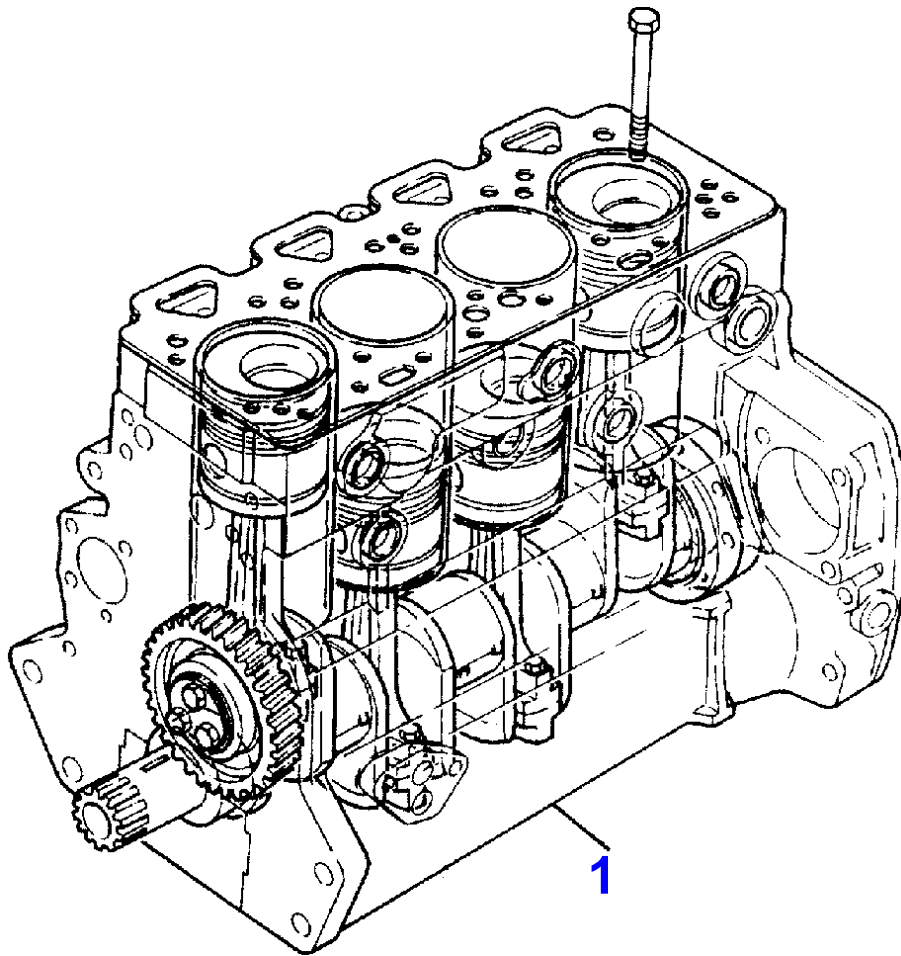
MF 376 XCF CRAWLER - 3540436

3540436

ENGINE ASSEMBLY-A4.236 ENGINE

1

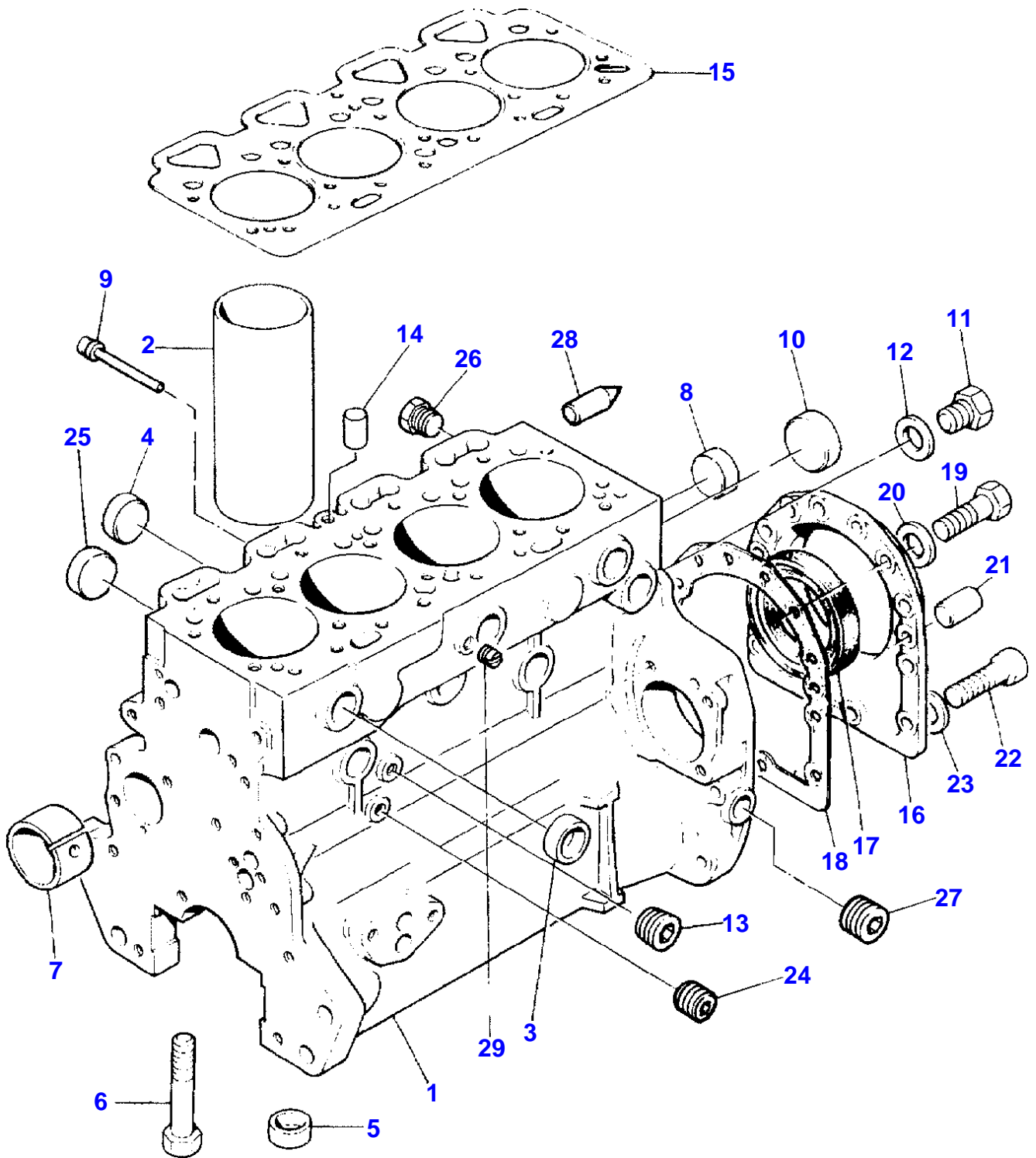
Item	Part Number	Qty	Description	Comments
1	3553131M91	1	Engine	"LD31202"PK



SHORT ENGINE-A4.236 ENGINE

Item	Part Number	Qty	Description	Comments
1	LD39336	1	SHORT ENGINE	Repairs and replaces LD 39303
2		1	HOUSING	[A] (1)
		4	LINER	(1)
		1		(1)
		4	PISTON	(1)
		4		(1)
		4	CONROD	(1)
		10		(1)
		8		(1)
		4	WASHER	(1)
		1	SEAL	(1)
		1	HOUSING	(1)
		22	BOLT	(1)
		1	GASKET	(1)

[A]
COMPLETE WITH PLUGS



CYLINDER BLOCK-A4.236 ENGINE

Item	Part Number	Qty	Description	Comments
1	ZZ 50145	1	CYLINDER BLOCK	Repairs and replaces ZZ50110
2	3135X031	4	Liner	Repairs and replaces ZZ50114 [A, X] (1) . 0. 4. 8
2	3135X032	X	Liner	[B]
3	0650710	6	Plug	(1) Repairs and replaces 0650563
4	32418122	4	Plug	(1)
5	33142111	10	Thimble	(1)
6	32166329	10	Bolt	(1)
7	31134164	1	Bush	(1) Repairs and replaces 31134163 Repairs and replaces 31134132
8	0650710	2	Plug	(1) Repairs and replaces 0650563
9	2485A204	1	Plug	(1)
10	32416105	1	Plug	(1)
11	32168212	1	PLUG	(1) Repairs and replaces 0650582
12	3311R003	1	Washer	(1) Repairs and replaces 0920130
13	0650588	2	Plug	(1)
14	32417134	1	Plug	
15	3681E018	1	Head Gasket	[X] Repairs and replaces 36812352 . 1. 2. 4
16	4142V066	1	FLANGE	Repairs and replaces 4142V064 Repairs and replaces 4142V061
17	2418F475	1	Seal	[X] (16) . 1. 2. 4
18	3681T012	1	GASKET	Repairs and replaces 3681T009
19	0746211	12	Bolt	
20	390972X1	12	Washer Metric	
21	0350009	2	Dowel	
22	2172530	2	Capscrew	
23	33112111	2	Washer	
24	0650594	1	Plug	Repairs and replaces 2431131
25	0650577	4	Plug	
26	32161114	2	Plug	
27	0650588	1	Plug	
28	32452113	1	Pointer	
29	32114143	1	Plug	Repairs and replaces 32114116

[A]

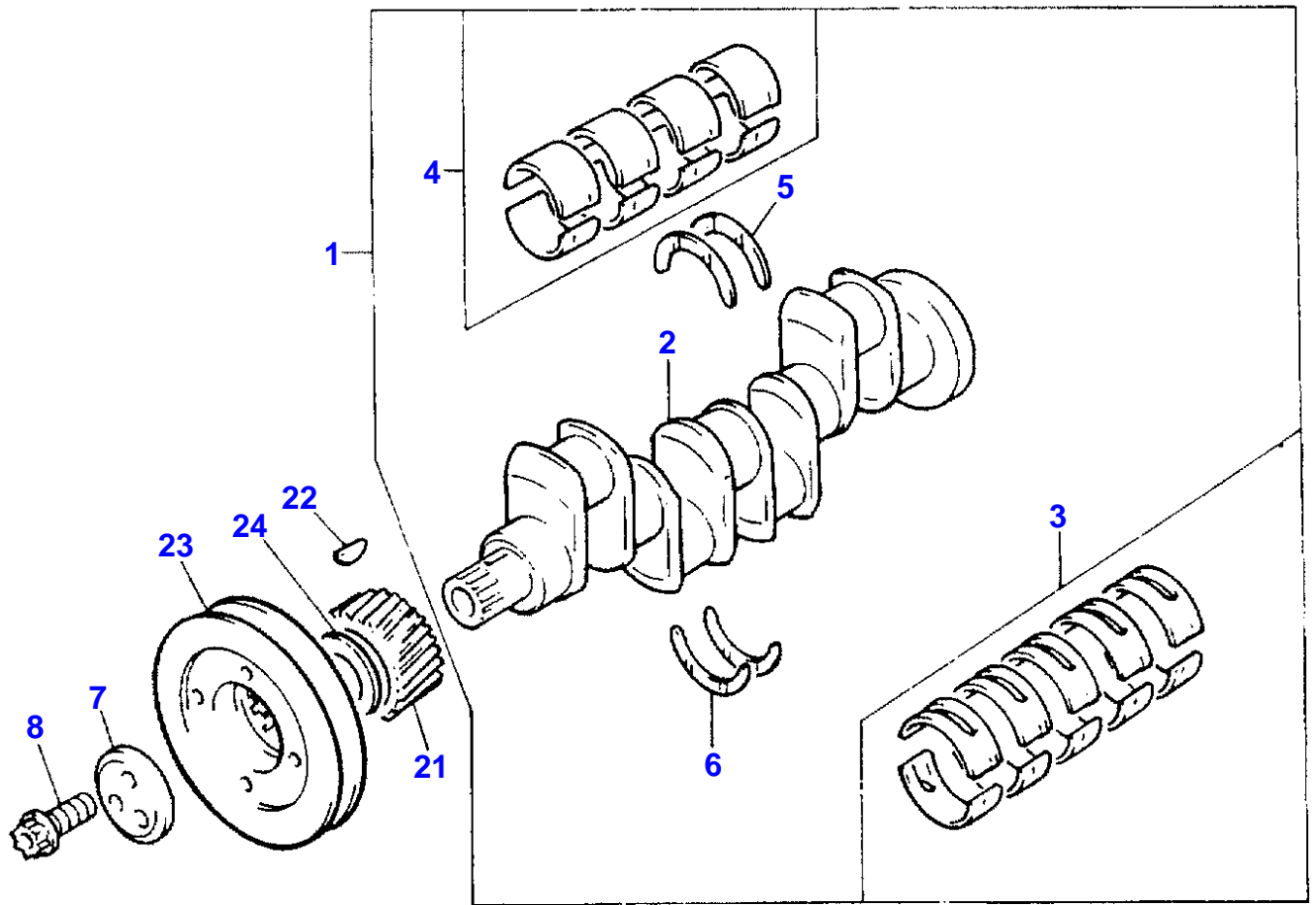
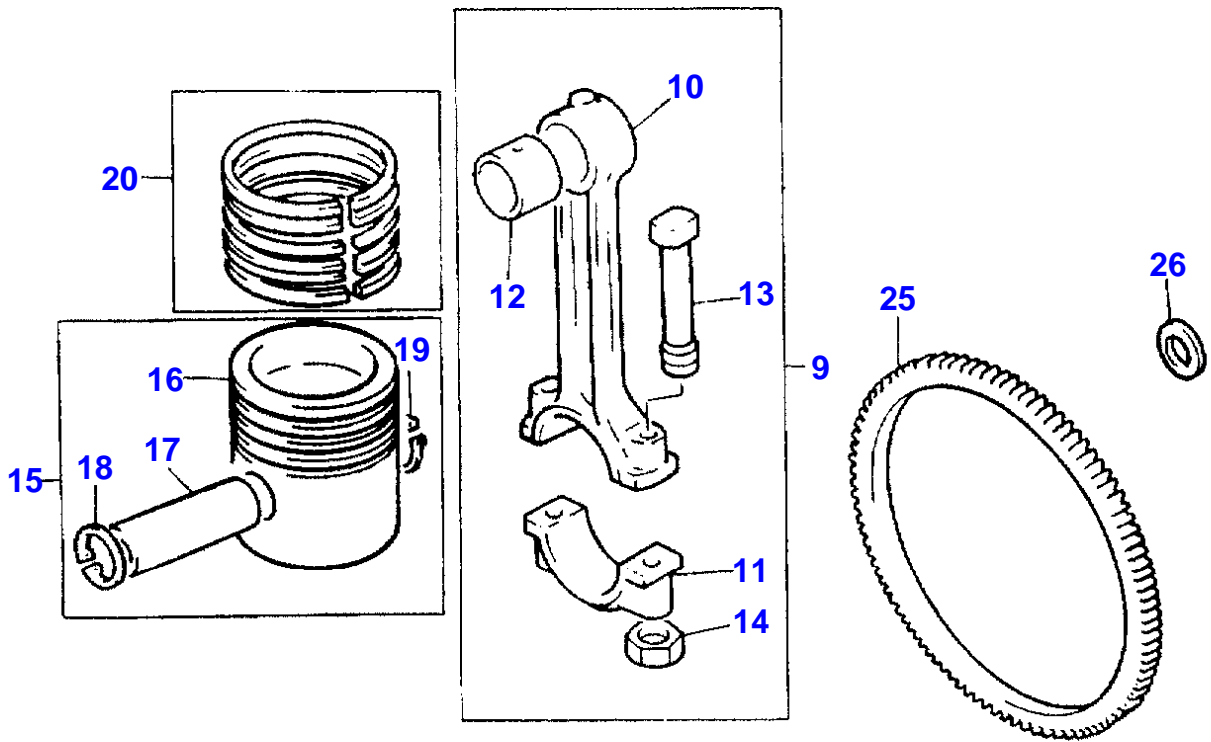
PRESS FIT

[B]

SLIP FIT

[X]

QTY PER TRACTORS SOLD (AA.BBB.CCC.DDD) (AA) FOR 1 ,(BBB) 2-10 (CCC) 11-25 (DDD) 26-50



CRANKSHAFT, PISTONS AND CONNECTING RODS-A4.236 ENGINE

Item	Part Number	Qty	Description	Comments
1	ZZ90081	1	Kit, Crankshaft	Repairs and replaces U5BG0024
2		1	SHAFT	(1) Not serviced, order REF.1
3	81558	1	Kit, Bearing	[A, X] (1) . 0. 2. 4
3	81558A	X	Kit, Bearing	[A] Thickness (-)0.25MM Thickness (-)0.010
3	81558B	X	Kit, Bearing	[A] Thickness (-)0.50MM Thickness (-)0.020
3	81558C	X	Kit, Bearing	[A] Thickness (-)0.75MM Thickness (-)0.030
4	85042	1	Kit, Bearing	[A, X] (1) . 0. 2. 4
4	85042A	X	Kit, Bearing	[A] Thickness (-)0.25MM Thickness (-)0.010
4	85042B	X	Kit, Bearing	[A] Thickness (-)0.50MM Thickness (-)0.020
4	85042C	X	Kit, Bearing	[A] Thickness (-)0.75MM Thickness (-)0.030
5	31137551	2	Thrust Washer	[X] (1) . 0. 2. 4
5	31137312	X	Thrust Washer	Thickness (+)0.19MM Thickness (+)0.0075
6	31137561	2	Thrust Washer	[X] (1) . 0. 2. 4
6	31137322	X	Thrust Washer	Thickness (+)0.19MM Thickness (+)0.0075
7	3242T001	1	Thrust Block	[D]
8	32186139	3	Screw	[D]
9	ZZ90009	4	Kit, Conrod	[X] Repairs and replaces M7BJ0015 . 0. 4. 8
10		1	CONROD	(9) Not serviced, order REF.9
11		1	SUPPORT	(9) Not serviced, order REF.9
12	31134123	1	Bush	(9)
13	32762144	1	Bolt	(9)
14	33221328	1	Nut	(9)
15	U5LU0025	4	Kit, Piston	[B, X] . 0. 4. 8
15	U5LP0035	4	Kit, Piston	[C]
16		1	PISTON	(15) Not serviced, order REF.15
17		1	PIN	(15) Not serviced, order REF.15
18	0170002	1	Circlip	(15)
19	0170002	1	Circlip	(15)
20	41158041	4	Kit, Piston Ring	[X] . 0. 4. 8
21	31171681	1	Gear,Crankshaft	Number of teeth/spines 28
22	0500012	1	Woodruff Key	
23	31148798	1	Pulley,Crank	Repairs and replaces 31148797
24	33125416	1	Washer	[E]
25	3552228M1	1	CROWNWHEEL	Number of teeth/spines 115
26	33117127	6	Washer	Repairs and replaces 33117121

[A]
PRE-FINISHED
[C]
PRE-TOPPED
[B]
UNTOPPED
[X]

MASSEY FERGUSON

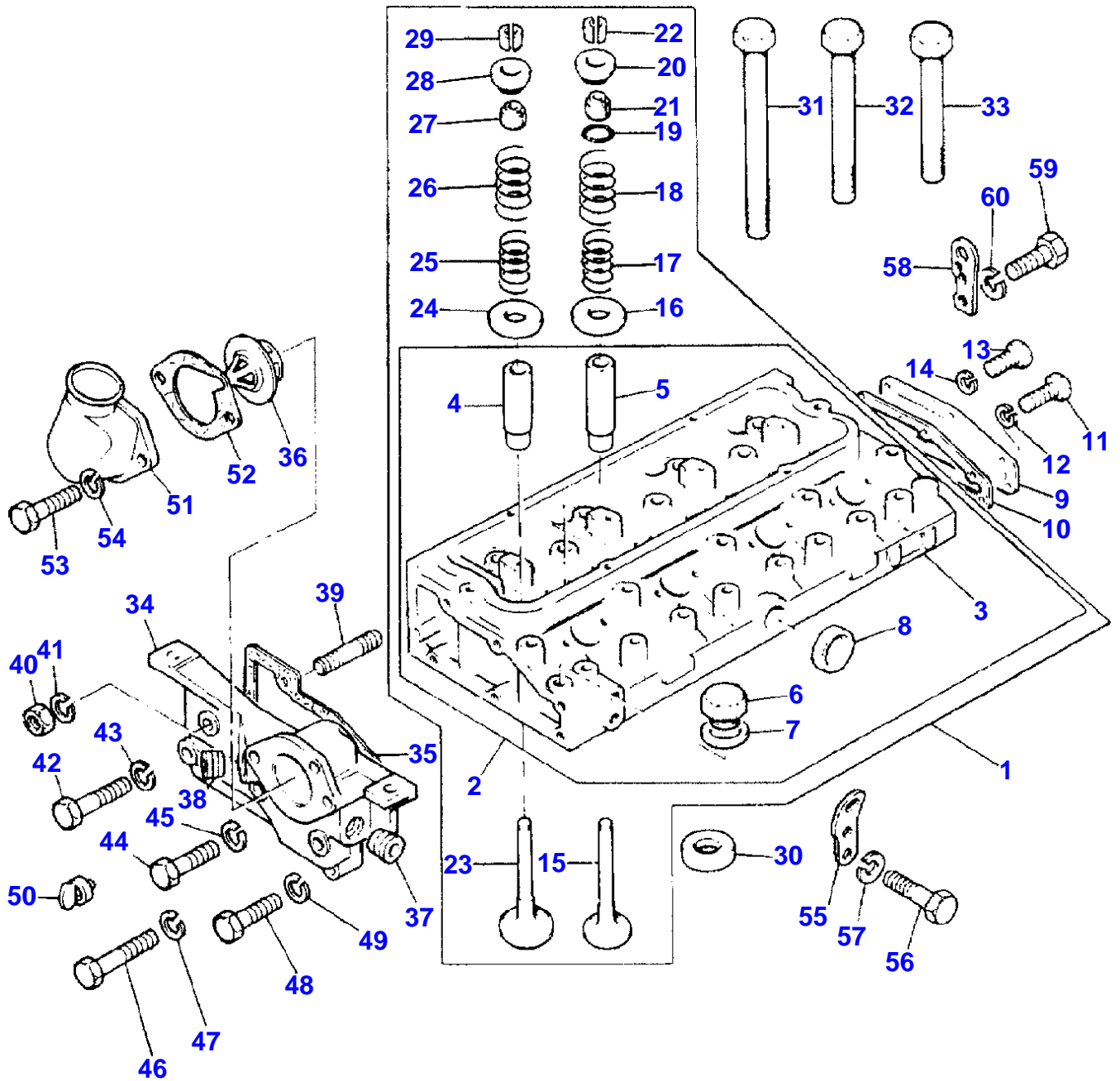
MF 376 XCF CRAWLER - 3540436

3540436

CRANKSHAFT, PISTONS AND CONNECTING RODS-A4.236 ENGINE

4

Item	Part Number	Qty	Description	Comments
				QTY PER TRACTORS SOLD (AA.BBB.CCC.DDD) (AA) FOR 1 ,(BBB) 2-10 (CCC) 11-25 (DDD) 26-50 [D] NOT SUPPLIED WITH ASSEMBLY [E] USED ONLY WITH 31148797



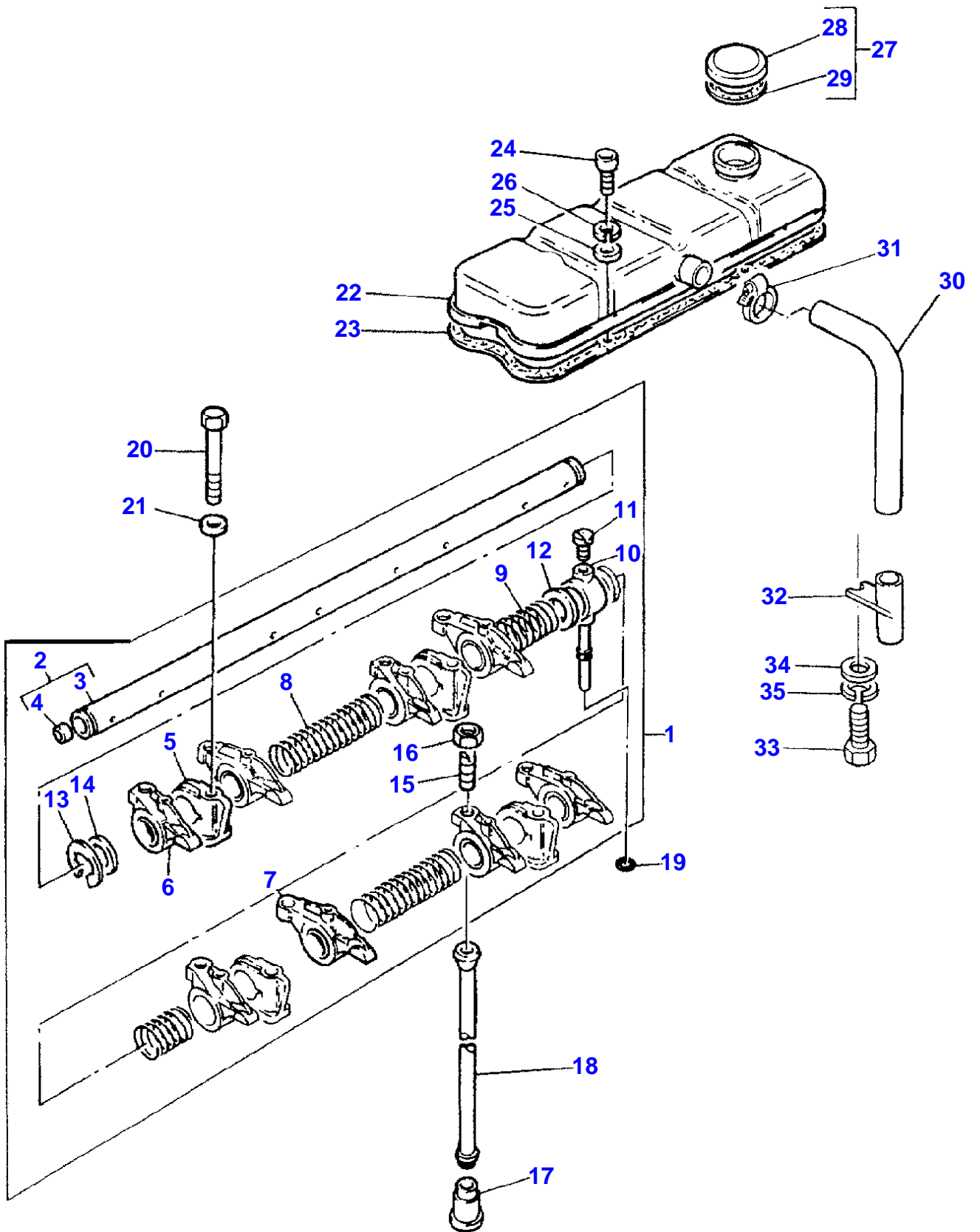
CYLINDER HEAD-A4.236 ENGINE

Item	Part Number	Qty	Description	Comments
1	ZZ80175	1	CYLINDER HEAD	Repairs and replaces ZZ80072 Repairs and replaces ZZ80062 Repairs and replaces ZZ80015 [F] (1)
2	ZZ80176	1	CYLINDER HEAD	Repairs and replaces ZZ80157 Repairs and replaces ZZ80061 Repairs and replaces ZZ80004 (2)
3		1	CYLINDER HEAD	Not serviced, order REF.2
4	3343F031	4	GUIDE	[C] (2) Repairs and replaces 3343F002
5	3343J002	4	Guide	[C] (2)
6	0650203	1	Plug	(2)
7	2411157	1	Washer	(2)
8	0650710	1	Plug	(2)
9	3623K007	1	Plate	
10	3685R004	1	Joint	
11	0746452	2	Setscrew	
12	0920054	2	Washer	
13	2183205	4	Screw	Repairs and replaces 0746254
14	0920053	4	Washer	
15	31431881	4	Valve Exhaust	[D, G] Alternative 31431886
15	3142A052	4	Valve Exhaust	[C, H] (1)
	31431882	X	Valve Exhaust	[G] Thickness (+) 0,003
15	3142A053	X	Valve Exhaust	[H] Thickness (+) 0,003
15	31431883	X	Valve Exhaust	[G] Thickness (+) 0,015
15	3142A054	X	Valve Exhaust	[H] Thickness (+) 0,015
15	31431884	X	Valve Exhaust	[G] Thickness (+) 0,030
15	3142A055	X	Valve Exhaust	[H] Thickness (+) 0,030
16	33415118	4	Washer	(1)
17	31744131	4	Spring	[J] (1)
	31744133	4	Spring	[K] (1)
18	31745121	4	Spring	[J] (1)
	31745122	4	Spring	[K] (1)
19	2415B201	4	O Ring	[J] (1)
20	33423147	4	Cap	[J] (1)
	33424107	4	Cap	[K] (1)
21	33817117	4	Seal	(1)
22	33173108	8	Cotter	[A] (1)
23	31431641	4	Valve Inlet	[D] (1)
	31431315	4	Valve Inlet	[E] (1)
	31431401	X	Valve Inlet	[D] Thickness (+) 0,003
23	31431316	X	VALVE	[E] Thickness (+) 0,003
23	31431402	X	Valve Inlet	[D] Thickness (+) 0,015
23	31431317	X	VALVE	[E] Thickness (+) 0,015
23	31431403	X	Valve Inlet	[D] Thickness (+) 0,030
23	31431318	X	VALVE	[E] Thickness (+) 0,030
24	33415118	4	Washer	(1)
25	31744131	4	Spring	[J] (1)
	31744133	4	Spring	[K] (1)
26	31745121	4	Spring	[J] (1)
	31745122	4	Spring	[K] (1)
27	33817117	4	Seal	(1)
28	33423147	4	Cap	[J] (1)

CYLINDER HEAD-A4.236 ENGINE

Item	Part Number	Qty	Description	Comments
28	33424107	4	Cap	[K] (1)
29	33173108	8	Cotter	[A] (1)
30	33152153	4	Insert	(1)
31	32166337	2	Screw	
32	32166338	12	Bolt	
33	32166339	8	Screw	
34	37762705	1	Body	Repairs and replaces 37762706
35	36853514	1	Joint	
36	2485659	1	Thermostat	[X] . 1. 2. 6
37	2431154	1	Plug	
38	2431154	1	Plug	
39	2217202	1	Stud	
40	2188135	1	Nut	
41	0920054	1	Washer	
42	0096238	1	Bolt	
43	0920053	1	Washer	
44	0096439	1	Bolt	
45	0920054	1	Washer	
46	2183205	2	Screw	
47	0920053	2	Washer	
48	0096434	2	Bolt	
49	0920054	2	Washer	
50	2485791	1	Pin	
51		1	MANIFOLD	[I]
52	36862225	1	GASKET	[X] . 1. 2. 6
53	0096433	2	Bolt	
54	0920054	2	Washer	
55	3648C004	1	Plate	
56	353537X1	2	Screw Unf	
57	0920054	2	Washer	
58	36177111	1	Plate	
59	353537X1	2	Screw Unf	
60	0920054	2	Washer	

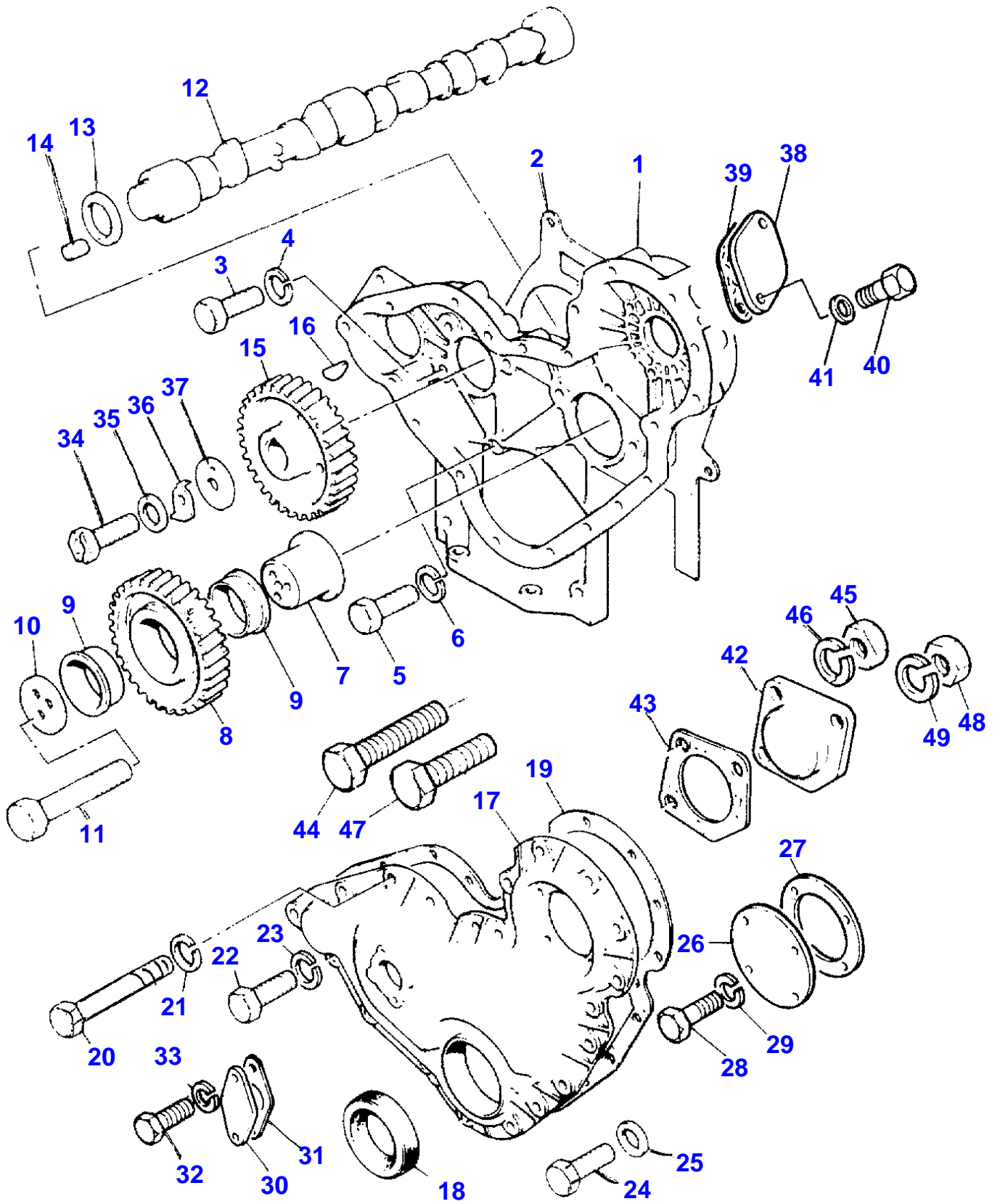
[A]
SERVICED IN PAIRS
[X]
QTY PER TRACTORS SOLD (AA.BBB.CCC.DDD) (AA) FOR 1 ,(BBB) 2-10 (CCC)
11-25 (DDD) 26-50
[E]
USED ONLY WITH ZZ80062/ZZ80072 (CYLINDER HEAD)
[K]
USED ONLY WITH ZZ80072
[F]
MINOR ASSEMBLY
[C]
REMOVE AND FIT 31431881
[D]
FITTED IN PLACE OF EXHAUST VALVES SUPPLIED WITH CY LINDER HEAD
ASSEMBLY
[I]
NOT SUPPLIED BY PERKINS ENGINES LIMITED.
[J]
USED ONLY WITH ZZ80015/ZZ80062
[H]
USED ONLY WITH ZZ80062



ROCKER SHAFT-A4.236 ENGINE

Item	Part Number	Qty	Description	Comments
1	ZZ90158	1	SHAFT	[X] Repairs and replaces ZZ90007/17 Repairs and replaces ZZ90030 . 0. 1. 2
2	ZZ90032	1	Rocker Shaft	(1)
3		1	SHAFT	(2) Not serviced, order REF.2
4	0650507	2	Plug	(2)
5	3818X901	4	Bracket	(1) Repairs and replaces 37521334
6	41151484	4	LEVER	(1) Right Hand
7	41151483	4	LEVER	(1) Left Hand Repairs and replaces 37371271
8	31744123	2	Spring	(1)
9	31743108	2	Spring	(1)
10	3775E012	1	Connection	[A] (1)
11	2231236	1	Setscrew	[B]
	2233022	1	Screw	[C] (1)
12	33117426	2	Shim	(1)
13	0170151	2	Circlip	(1)
14	33117434	2	Washer	(1)
15	0720579	8	Screw	(1)
16	0576052	8	Nut	(1)
17	31434163	8	Tappet	
18	31434307	8	Pushrod	
19	376525X1	1	Olive	
20	0096634	4	Screw	
21	0920006	4	Washer	
22	37188141	1	COVER	
23	3681A027	1	Joint	[X] Repairs and replaces 36811132 . 1. 2. 6
24	2172513	4	Screw	
25	0920002	4	Washer	
26	0920052	4	Washer	
27	2487845	1	Cap	
28		1	PLUG	(27) Not serviced, order REF.27
29	24870002	1	Joint	(27)
30	33872516	1	Pipe,Breather	
31	21825195	1	Clip	Repairs and replaces 0180063
32	35731144	1	Pipe,Breather	
33	0096215	1	Screw	Up to Serial or Engine Number U226708S
	2187333	1	Screw	From Serial or Engine Number U226709S
34	390972X1	1	Washer	Up to Serial or Engine Number U226708S
			Metric	
35	0920053	1	Washer	Up to Serial or Engine Number U226708S

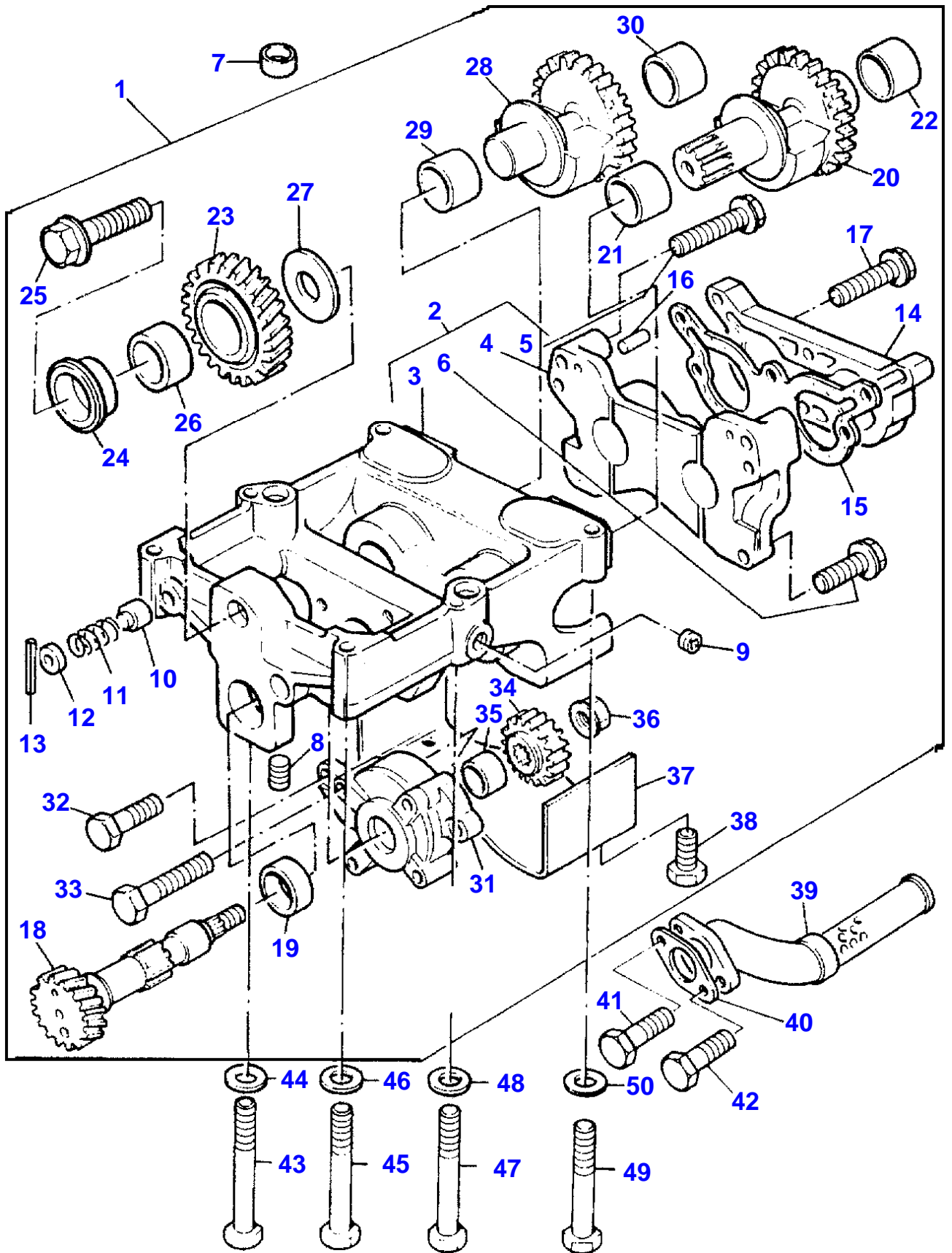
[X]
QTY PER TRACTORS SOLD (AA.BBB.CCC.DDD) (AA) FOR 1 ,(BBB) 2-10 (CCC) 11-25 (DDD) 26-50
[A]
WAS 3775E011 USE 3775E012/2233022.
[B]
USED ONLY WITH 3775E011
[C]
USED ONLY WITH 3775E012



TIMING GEAR AND CAMSHAFT-A4.236 ENGINE

Item	Part Number	Qty	Description	Comments
1	37161642	1	Body	
2	36814137	1	Joint	[X] . 0. 1. 2
3	2183205	8	Screw	
4	0920053	8	Washer	
5	0746211	1	Bolt	
6	0920053	1	Washer	
7	33426161	1	Hub	
8	41115023	1	Idler	Number of teeth/spines 63
9	0050345	2	Bush	(8)
10	3241H009	1	PLATE	Repairs and replaces 0941082
11	2184634	3	Screw	
12	31415374	1	Camshaft	
13	33153121	1	Washer	
14	2116053	1	Pin	
15	3117L012	1	GEAR	Number of teeth/spines 56
16	0500012	1	Woodruff Key	
17	37166401	1	Timinggear Cover	
18	2418F436	1	Seal	[X] . 1. 2. 4
19	3681P016	1	GASKET	[X] Repairs and replaces 36813137 . 0. 1. 2
20	0096238	4	Bolt	
21	0920053	4	Washer	
22	2183205	10	Screw	
23	0920053	10	Washer	
24	2183205	4	Screw	
25	0920053	4	Washer	
26	3241H004	1	Plate	
27	33825419	1	Joint	
28	2183203	4	Screw	
29	0920053	4	Washer	
30	36171121	1	Plate	
31	36833119	1	Joint	
32	2183104	2	Screw	
33	0920052	2	Washer	
34	32161217	1	Screw	
35	33115408	1	Washer	
36	31733121	1	Washer	
37	33153128	1	Washer	
38	36235118	1	PLATE	
39	36862138	1	Joint	
40	2183204	2	Screw	
41	0920053	2	Washer	
42	37556148	1	Plate	
43	36861429	1	Joint	
44	0748505	1	Screw	
45	2238153	1	Nut	
46	0920054	1	Washer	
47	2232151	2	Screw	
48	2238153	2	Nut	
49	0920054	2	Washer	

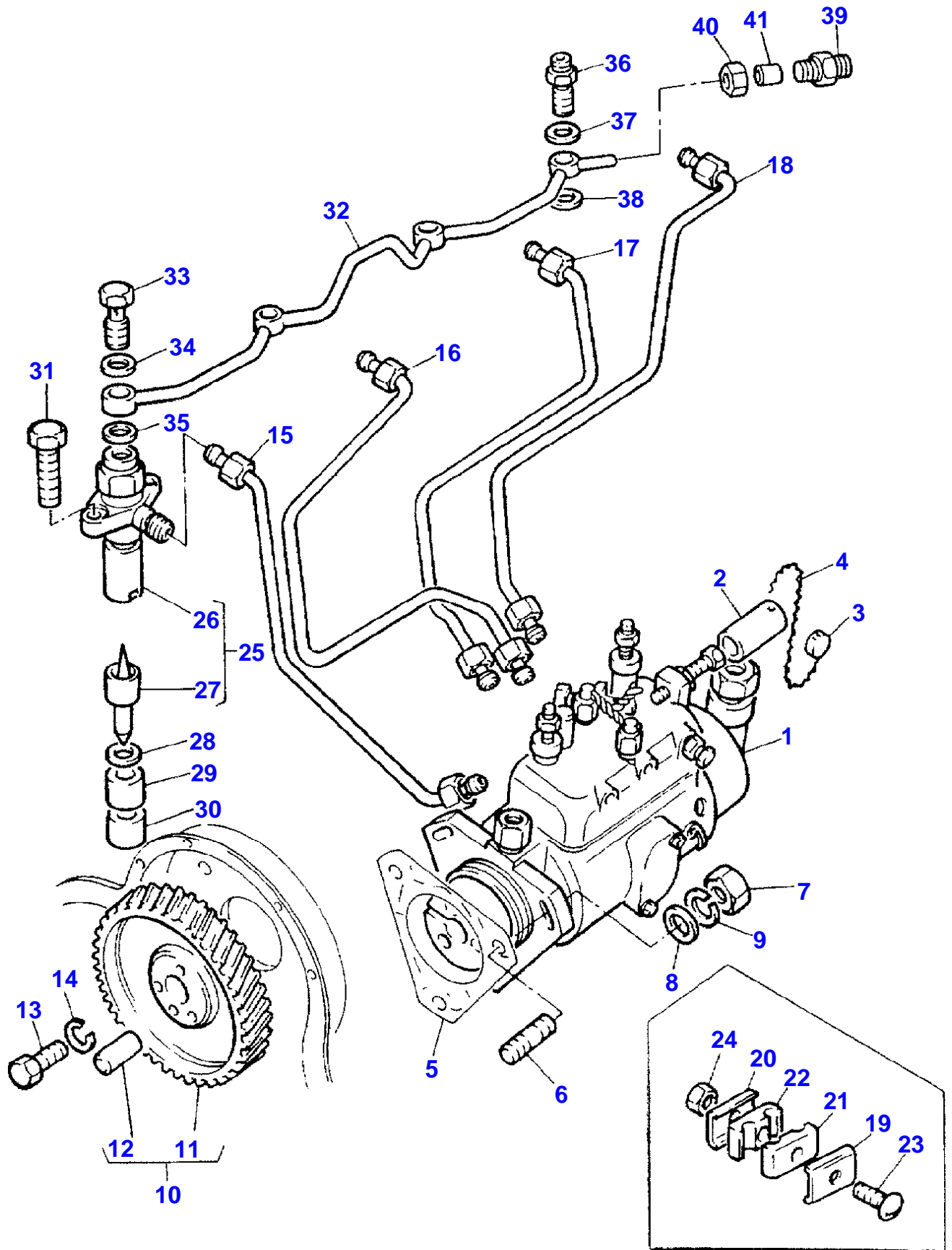
[X]
QTY PER TRACTORS SOLD (AA.BBB.CCC.DDD) (AA) FOR 1 ,(BBB) 2-10 (CCC)
11-25 (DDD) 26-50



BALANCER UNIT-A4.236 ENGINE

Item	Part Number	Qty	Description	Comments
1	4111K051	1	Balancer	
	4111K051	1	Balancer	[X] . 0. 0. 1
2	4145L007	1	Frame	(1)
3		1		(2) Not serviced, order REF.2
4		1		(2) Not serviced, order REF.2
5	2315C052	4	Screw	(2)
6	2314J005	2	Screw	(2)
7	33137408	2	Thimble	
8	32558314	1	Plug	(1)
9	2431A054	1	Plug	(1)
10	3272E005	1	Plunger	(1)
11	3174D004	1	Spring	(1)
12	3342A611	1	Cap	(1)
13	2116A056	1	Pin	(1)
14	3753R061	1	Cover	(1)
15	3687M006	1	Joint	(1)
16	0350042	2	Dowel	(1)
17	2315C052	4	Screw	(1)
18	3117V003	1	Shaft	(1) Number of teeth/spines 21
19	2551A009	1	Bearing Needle	(1)
20	3116K014	1	Weight	(1) Number of teeth/spines 16/38
21	2511A730	1	Bush	(1)
22	2511A730	1	Bush	(1)
23	3117C071	1	Gear,Balancer	(1) Number of teeth/spines 37
24	33451804	1	Hub	(1)
25	2314J606	1	Screw	(1)
26	2551A201	1	Bearing Needle	(1)
27	3321A002	1	Washer	(1)
28	3116K004	1	Weight	(1) Number of teeth/spines 38
29	2511A730	1	Bush	(1)
30	2511A730	1	Bush	(1)
31	4132F041	1	Oil Pump	(1) Repairs and replaces 4132F021
32	2314J606	1	Screw	(1)
33	2314H012	2	Screw	(1)
34	3116W001	1	Gear,Balancer	(1) Number of teeth/spines 24
35	2551A014	1	Bearing Needle	(1)
36	33531136	1	Nut	(1)
37	3661K001	1	Cover	(1)
38	2314C034	4	Screw	(1)
39	3764E031	1	Pipe,Oil	
40	3683L002	1	Joint	
41	2314H006	1	Screw	Repairs and replaces 2315C053
42	2314H012	2	Screw	Repairs and replaces 2315C059
43	0096442	1	Bolt	
44	33115129	1	Washer	
45	0096441	2	Bolt	
46	33115129	2	Washer	
47	0096441	1	Bolt	
48	33115129	1	Washer	
49	0096439	2	Bolt	
50	33115129	2	Washer	

[X]
QTY PER TRACTORS SOLD (AA.BBB.CCC.DDD) (AA) FOR 1 ,(BBB) 2-10 (CCC)
11-25 (DDD) 26-50



FUEL INJECTION EQUIPMENT-A4.236 ENGINE

Item	Part Number	Qty	Description	Comments
1	38313	1	Injection Pump	Up to Serial or Engine Number 88/08
	2643C282	1	Injection Pump	From Serial or Engine Number 88/09
2	3281M002	1	SLEEVE	
3	31718104	1	Seal	
4	31718105	1	Wire	
5	3687H011	1	GASKET	
6	2217139	3	Stud	
7	0576002	3	Nut	
8	390972X1	3	Washer Metric	
9	0920053	3	Washer	
10	41115136	1	Gear,Fuel Pump	Number of teeth/spines 56
11		1	GEAR	(10) Not serviced, order REF.10
12	0350010	1	Dowel	(10)
13	353517X1	3	Screw Unf	
14	0920053	3	Washer	
15	35343136	1	PIPE	[X] NO.1 CYL. . 1. 2. 4
16	35343136	1	PIPE	[X] NO.2 CYL. . 1. 2. 4
17	35343138	1	PIPE	[X] NO.3 CYL. . 1. 2. 4
18	35343139	1	PIPE	[X] NO.4 CYL. . 1. 2. 4
19	733869M1	2	Channel	
20	733869M1	2	Channel	
21	733868M1	2	Clip	
22	733868M1	2	Clip	
23	0726505	2	Setscrew	
24	2211401	2	Nut	
25	2645L003	4	ATOMISER	[X] . 4. 8. 16
26	2646460	1	Holder	(25)
27	2646842	1	Nozzle	[X] (25) . 4. 8. 16
28	0921173	4	Washer	[X] . 4. 8. 16
29	33813129	4	Spacer	[X] . 4. 8. 16
30	33813131	4	Seal	[X] . 4. 8. 16
31	0746259	8	SCREW	
32	3558X011	1	Leak-Off Pipe	[X] . 1. 2. 4
33	0095315	3	Banjo Bolt	
34	0920107	3	Washer	
35	0920107	3	Washer	
36	0201526	1	Union	
37	0920107	1	Washer	[X] . 4. 8. 12
38	0920107	1	Washer	
39	0206102	1	Union	
40	33225412	1	Union Nut	
41	33811112	1	Olive	

[X]
QTY PER TRACTORS SOLD (AA.BBB.CCC.DDD) (AA) FOR 1 ,(BBB) 2-10 (CCC) 11-25 (DDD) 26-50



Suggest:

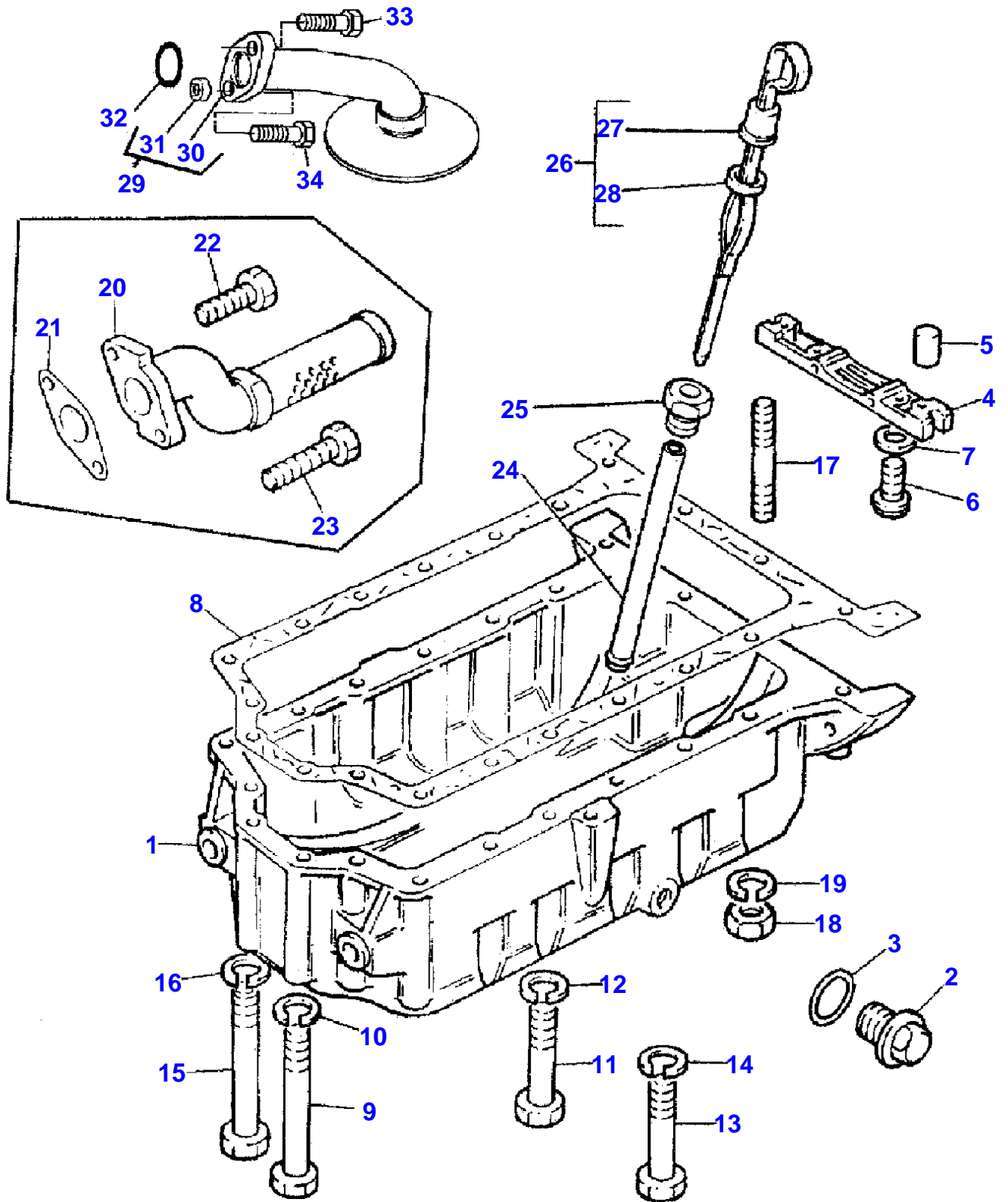
If the above button click is invalid.

Please download this document

first, and then click the above link

to download the complete manual.

Thank you so much for reading



<https://www.ebooklibonline.com>

Hello dear friend!

Thank you very much for reading.

Enter the link into your browser.

The full manual is available for immediate download.

<https://www.ebooklibonline.com>