

Page Title	Page Number
ENGINE ASSEMBLY-T3.152.4 ENGINE	1
SHORT ENGINE-TABLE PK ACEC9107	2
CYLINDER BLOCK-T3.152.4 ENGINE	3
CRANKSHAFT, PISTONS AND CONNECTING RODS-T3.152.4 ENGINE	4
CYLINDER HEAD-T3.152.4 ENGINE	5
ROCKER SHAFT-T3.152.4 ENGINE	6
TIMING GEAR AND CAMSHAFT-T3.152.4 ENGINE	7
FUEL INJECTION EQUIPMENT-T3.152.4 ENGINE	8
LUBRICATING OIL SUMP-T3.152.4 ENGINE	9
LUBRICATING OIL FILTER AND INTEGRAL COOLER-T3.152.4 ENGINE	10
WATER PUMP, THERMOSTAT AND HEAT EXCHANGER-T3.152.4 ENGINE	11
FUEL SYSTEM AND FILTER-T3.152.4 ENGINE	12
TURBOCHARGER-T3.152.4 ENGINE	13
TURBOCHARGER-T3.152.4 ENGINE	14
TURBOCHARGER-T3.152.4 ENGINE	15
ALTERNATOR POSITIONER-T3.152.4 ENGINE	16
JOINTS AND GASKETS-T3.152.4 ENGINE	17
HEATER KIT-COLD CLIMATE	18
ALTERNATOR-ISKRA TYPE	19
ALTERNATOR	20
ALTERNATOR-VALEO TYPE	21
STARTER MOTOR-PERKINS TYPE (MARELLI)	22
STARTER MOTOR-BOSCH	23
STARTER MOTOR-ISKRA TYPE	24
COOLING SYSTEM-FAN AND HOSES	25
COOLING SYSTEM-RADIATOR AND BRACKET	26
FUEL SYSTEM	27
FUEL TANK-TRACTOR 364 GE	28
FUEL TANK-TRACTOR 364 SP	29
FUEL TANK-TRACTOR 364 FP	30
FUEL TANK-TRACTOR 364 AP	31
DRY AIR FILTER-DRY AIR CLEANER	32
EXHAUST SYSTEM-TRACTOR 364 GE	33
EXHAUST SYSTEM-TRACTOR 364 SP	34
EXHAUST SYSTEM-TRACTOR 364 FP	35
EXHAUST SYSTEM-TRACTOR 364 AP	36
EXHAUST SYSTEM-TRACTOR 364 SP - 364 FP - 364 AP	37
THROTTLE CONTROLS-TRACTOR 364 SP - 364 FP - 364 GE	38
THROTTLE CONTROLS-TRACTOR 364 AP	39
INSTRUMENT PANEL	40
INSTRUMENT PANEL	41
INSTRUMENT PANEL-WITH ELECTRONIC LIFT - NOT INCLUDED TRACTOR	42
ELECTRICAL WIRING-REAR - TRACTOR SP - FP - AP - GE	43
ELECTRICAL WIRING-FRONT - TRACTOR SP - FP - AP	44
ELECTRICAL WIRING-FRONT - TRACTOR GE	45
ELECTRICAL WIRING-TRACTOR SP - FP - AP	46
ELECTRICAL WIRING-TRACTOR SP - FP - AP	47
ELECTRICAL WIRING-TRACTOR SP - FP - AP	48
BATTERY	49
LIGHTING EQUIPMENT-TRACTOR SP - FP - AP - GE	50
LIGHTING EQUIPMENT	51
CLUTCH PEDAL AND LINKAGE-TRACTOR SP - FP - GE - H	52
CLUTCH PEDAL AND LINKAGE-TRACTORT AP	53
CLUTCH-O.M.G. - 11	54
CLUTCH-LUK - 11	55
LOWER CLUTCH P.T.O.-TRACTOR SP - FP - GE - H	56
LOWER CLUTCH P.T.O.-TRACTORT AP	57
CENTRE AXLE HOUSING AND TRANSMISSION HOUSING-WITHOUT OPTIONS (EXPORT ONLY)	58
CENTRE AXLE HOUSING AND TRANSMISSION HOUSING-FOR OPTIONS VERSION ONLY	59
CENTRE AXLE HOUSING AND TRANSMISSION HOUSING	60
CENTRE AXLE HOUSING AND TRANSMISSION HOUSING-TRACTORT AP	61
TRANSMISSION	62
TRANSMISSION-TRACTORT AP	63
TRANSMISSION	64
SHIFT LEVERS-TRACTOR SP - FP - AP - H	65
SHIFT LEVERS-TRACTOR GE	66

TABLE OF CONTENT

GEAR BOX	67
REDUCER OPTION-FOR SHUTTLE VERSION ONLY: TRACTOR SP - FP - GE	68
REDUCER OPTION-FOR SHUTTLE VERSION ONLY : TRACTOR AP	69
GEAR BOX-FOR SHUTTLE VERSION ONLY.	70
GEAR BOX-FOR SPECIAL OPTIONS VERSION ONLY	71
REDUCER OPTION-OVERDRIVE AND SHUTTLE VERSION	72
REDUCER OPTION-OVERDRIVE AND SHUTTLE VERSION	73
REDUCER OPTION-OVERDRIVE AND CREEPER VERSION	74
REDUCER OPTION-OVERDRIVE AND CREEPER VERSION	75
REDUCER OPTION-OVERDRIVE AND UNDERDRIVE VERSION	76
REDUCER OPTION-OVERDRIVE AND UNDERDRIVE VERSION	77
REDUCER OPTION-UNDERDRIVE AND SHUTTLE VERSION	78
REDUCER OPTION-UNDERDRIVE AND SHUTTLE VERSION	79
REDUCER OPTION-UNDERDRIVE E CREEPER VERSION	80
REDUCER OPTION-UNDERDRIVE E CREEPER VERSION	81
REDUCER OPTION-SHUTTLE AND CREEPER VERSION	82
REDUCER OPTION-SHUTTLE AND CREEPER VERSION	83
PTO SHAFT-STANDARD - TRACTOR SP - GE	84
PTO SHAFT-STANDARD - TRACTOR FP - H	85
PTO SHAFT-STANDARD - TRACTOR AP	86
PTO SHAFT-540/750/1000 R.P.M.- TRACTOR SP - GE	87
PTO SHAFT-540/750/1000 R.P.M.- TRACTOR FP - H	88
PTO SHAFT-540/750/1000 R.P.M.- TRACTOR AP	89
PTO-CONTROL-TRACTOR SP - GE	90
PTO-CONTROL-TRACTOR FP - AP - H	91
PTO-CONTROL-540/750/1000 R.P.M.- TRACTOR SP - GE	92
PTO-CONTROL-540/750/1000 R.P.M.- TRACTOR FP - AP - H	93
TRANSFER GEAR BOX AND DRIVE SHAFT:-TRACTOR 364 SP - FP	94
TRANSFER GEAR BOX AND DRIVE SHAFT:-TRACTOR 364 AP	95
TRANSFER GEAR BOX AND DRIVE SHAFT:-TRACTOR 364 GE	96
4 WHEEL DRIVE CONTROLS	97
REAR AXLE	98
REAR AXLE-TRACTOR 364 SP	99
REAR AXLE-TRACTOR 364 FP - 364 AP	100
REAR AXLE-TRACTOR 364 GE	101
DIFFERENTIAL LOCK CONTROLS-MECHANICAL CONTROL	102
DIFFERENTIAL LOCK CONTROLS-HYDRAULIC CONTROL	103
DIFFERENTIAL LOCK CONTROLS-HYDRAULIC CONTROL	104
BRAKE AND CONTROLS-PEDALS	105
BRAKE AND CONTROLS-PIPINGS	106
BRAKE AND CONTROLS-DEVICE CONTROL	107
BRAKES	108
MASTER CYLINDER-BRAKE PUMP	109
BRAKE CYLINDER	110
TRAILER BRAKES-TRACTOR 364 SP - 364 FP - 364 AP	111
TRAILER BRAKES-TRACTOR 364 SP - 364 FP - 364 AP	112
REAR WHEELS-TRACTOR 364 SP	113
REAR WHEELS-TRACTOR 364 FP - 364 AP	114
REAR WHEELS-TRACTOR GE	115
FRONT WHEELS-TRACTOR 364 FP - 364 AP	116
FRONT WHEELS-TRACTOR 364 SP	117
FRONT WHEELS-TRACTOR 364 GE	118
FRONT AXLE 2 WHEEL DRIVE-TRACTOR FP - AP	119
FRONT AXLE 2 WHEEL DRIVE-TRACTOR SP - GE	120
FRONT AXLE 4 WHEEL DRIVE	121
FRONT AXLE 4 WHEEL DRIVE	122
FRONT AXLE 4 WHEEL DRIVE-TRACTOR SP	123
FRONT AXLE 4 WHEEL DRIVE-TRACTOR FP - AP	124
FRONT AXLE 4 WHEEL DRIVE-TRACTOR GE	125
FRONT AXLE 4 WHEEL DRIVE-TRACTOR SP	126
FRONT AXLE 4 WHEEL DRIVE-TRACTOR FP - AP	127
FRONT AXLE 4 WHEEL DRIVE-TRACTOR GE	128
FRONT AXLE 4 WHEEL DRIVE-TYPE NO-SPIN	129
FRONT AXLE 4 WHEEL DRIVE-TYPE STANDARD	130
FRONT AXLE 4 WHEEL DRIVE-TYPE HYDROLOCK	131
FRONT AXLE 4 WHEEL DRIVE-PINION SET AND SIDE SHAFT	132
FRONT AXLE 4 WHEEL DRIVE-PINION SET AND SIDE SHAFT	133
FRONT AXLE 4 WHEEL DRIVE-PINION SET AND SIDE SHAFT	134

TABLE OF CONTENT

FRONT AXLE 4 WHEEL DRIVE-HOUSINGS AND STEERING CYLINDER	135
FRONT AXLE 4 WHEEL DRIVE-FINAL REDUCER AND WHELL HUB	136
FRONT AXLE 4 WHEEL DRIVE-WITH DIFFERENTIAL NO-SPIN AND STANDARD	137
FRONT AXLE 4 WHEEL DRIVE-WITH DIFFERENTIAL HYDROLOCK	138
STEERING HYDRAULIC LINES	139
STEERING HYDRAULIC LINES-TRACTOR SP - FP - GE	140
STEERING HYDRAULIC LINES-TRACTORT AP	141
STEERING ORBITROL UNIT-2 WHEE DRIVE	142
STEERING ORBITROL UNIT-4 WHEELS DRIVE	143
STEERING-PUMP-TUROLLA	144
STEERING-PUMP-BOSCH	145
STEERING CYLINDER-TRACTOR SP - GE	146
STEERING CYLINDER-TRACTOR FP - AP - H	147
STEERING CYLINDER	148
HYDRAULIC EQUIPMENT-TRACTOR SP - FP - GE	149
HYDRAULIC EQUIPMENT-TRACTORT AP	150
HYDRAULIC EQUIPMENT-TRACTOR SP - FP - GE	151
HYDRAULIC EQUIPMENT-TRACTORT AP	152
HYDRAULIC EQUIPMENT-TRACTOR SP - FP - GE	153
HYDRAULIC EQUIPMENT-TRACTORT AP	154
AUXILIARY HYDRAULIC VALVE LINES-WITH AUXILIARY HYDRAULIC VALVE CLEARANCE	155
HYDRAULIC PUMP-TUROLLA	156
HYDRAULIC PUMP-BOSCH	157
HYDRAULIC PUMP-CESSNA	158
HYDRAULIC PUMP-BOSCH	159
HYDRAULIC PUMP-TUROLLA	160
HYDRAULIC LIFT VALVE-WITH MECANICS RISER	161
HYDRAULIC LIFT	162
HYDRAULIC LIFT-TRACTOR SP - GE	163
HYDRAULIC LIFT-TRACTOR FP - AP	164
HYDRAULIC LIFT-TRACTOR SP	165
HYDRAULIC LIFT-TRACTOR FP - AP	166
ELECTRICAL WIRING-FOR ELECTRONIC LIFT	167
HYDRAULIC LIFT VALVE-FOR ELECTRONIC LIFT	168
ELECTRICAL WIRING-CONTROL PANEL ELECTRONIC LIFT	169
ELECTRICAL WIRING-CONTROL PANEL ELECTRONIC LIFT	170
MECHANICAL CONTROL LIFT-TRACTOR SP	171
MECHANICAL CONTROL LIFT-TRACTOR GE	172
MECHANICAL CONTROL LIFT-TRACTOR FP - AP	173
MECHANICAL CONTROL LIFT-TRACTOR FP - AP	174
MECHANICAL CONTROL LIFT-TRACTOR SP	175
MECHANICAL CONTROL LIFT-TRACTOR SP - FP - AP	176
MECHANICAL CONTROL LIFT-TRACTOR GE	177
HYDRAULIC LIFT CYLINDER-HYDRAULIC LIFT CYLINDER,WITH 1'AND 2'AUXIL.HYD	178
HYDRAULIC LIFT CYLINDER-HYDRAULIC LIFT CYLINDER,WITH 3AND 4 AUXIL.HYDR	179
AUXILIARY HYDRAULIC VALVE LINES-WITH 1.O DISTRIBUTOR	180
AUXILIARY HYDRAULIC VALVE LINES-WITH 2.O DISTRIBUTORES	181
AUXILIARY HYDRAULIC VALVE LINES-WITH 3.O DISTRIBUTORES	182
AUXILIARY HYDRAULIC VALVE LINES-TRACTOR FP-AP-H ,WITH N.4 HYDRA. VALVE	183
CONTROLS ,AUXILIARY HYDRAULICS-WITH 1.O DISTRIBUTOR	184
CONTROLS ,AUXILIARY HYDRAULICS-WITH 2.O DISTRIBUTORES	185
CONTROLS ,AUXILIARY HYDRAULICS-WITH 3.O DISTRIBUTORES	186
CONTROLS ,AUXILIARY HYDRAULICS-TRACTOR FP - AP - H	187
PLATE FOR AUXILIARY HYDRAULIC VALVE-HIDROIRMA TYPE.	188
AUXILIARY HYDRAULICS VALVE STANDARD-HYDROIRMA TYPE STANDARD	189
AUXILIARY HYDRAULICS VALVE STANDARD-HYDROIRMA TYPE STANDARD	190
AUXILIARY HYDRAULICS FLOATING-HYDROIRMA TYPE FLOATING	191
AUXILIARY HYDRAULICS FLOATING-HYDROIRMA TYPE FLOATING	192
AUXILIARY HYDRAULIC VALVE LINES-WITH 1.O DISTRIBUTOR	193
AUXILIARY HYDRAULIC VALVE LINES-WITH 2.O DISTRIBUTORES	194
AUXILIARY HYDRAULIC VALVE LINES-TRACTOR FP-AP-H ,WITH N.3 HYDRA. VALVE	195
CONTROLS ,AUXILIARY HYDRAULICS-WITH 1.O DISTRIBUTOR	196
CONTROLS ,AUXILIARY HYDRAULICS-WITH 2.O DISTRIBUTORES	197
CONTROLS ,AUXILIARY HYDRAULICS-TRACTOR FP-AP-H ,WITH N.3 HYDRA. VALVE	198
AUXILIARY HYDRAULICS VALVE-TILL TYPE STANDARD	199
AUXILIARY HYDRAULICS VALVE-TILL TYPE FLOATING	200
ACCESSORIES HYDRAULIC-ADDITIONAL POWER OUTLET UNIT	201
LINKAGE-STANDARD VERSION	202

<https://www.ebooklibonline.com>

Hello dear friend!

Thank you very much for reading.

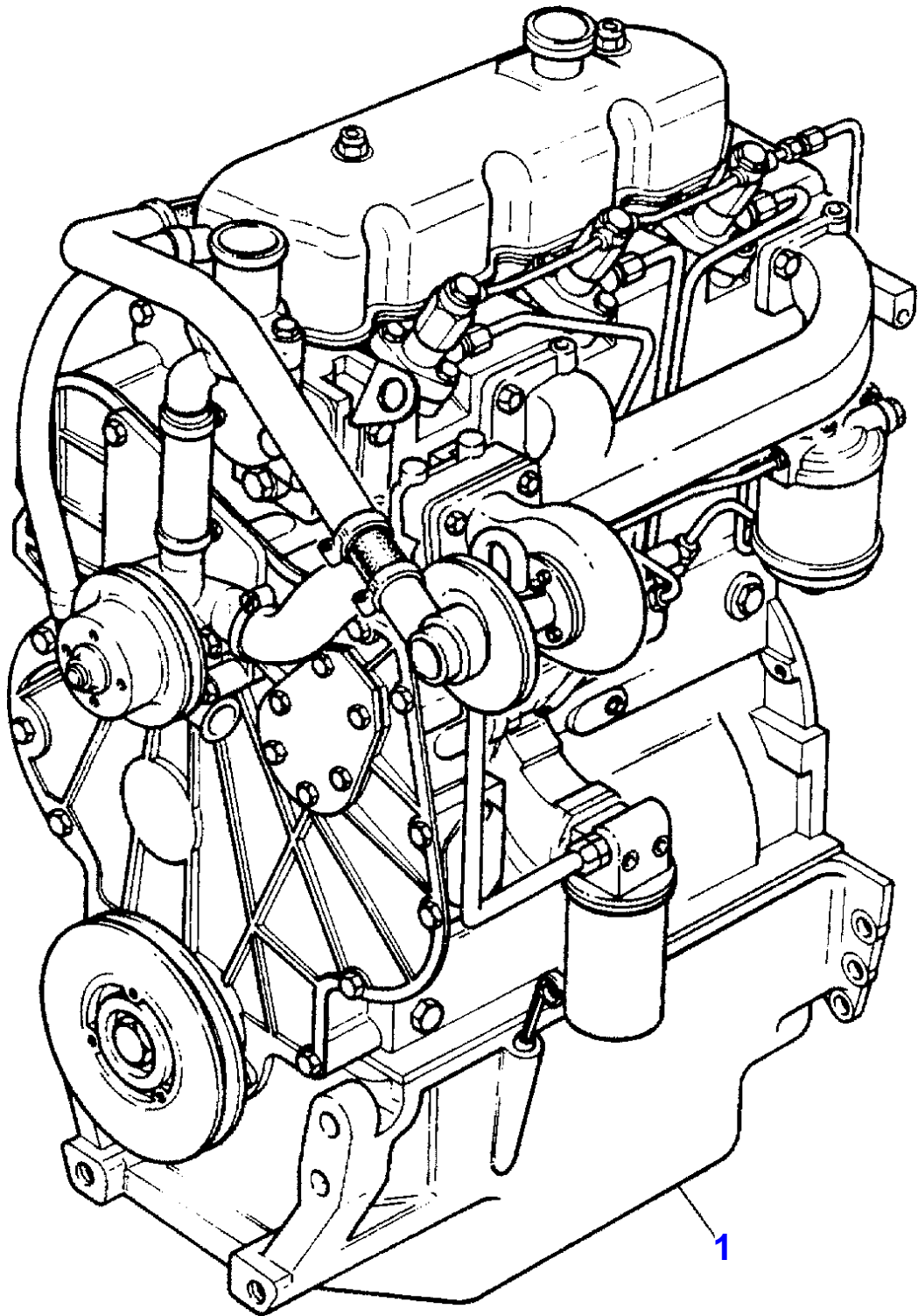
Enter the link into your browser.

The full manual is available for immediate download.

<https://www.ebooklibonline.com>

TABLE OF CONTENT

LINKAGE-STANDARD VERSION	203
LINKAGE-TRACTOR SP	204
LINKAGE-NOT INCLUDED GE TRACTOR	205
LINKAGE-TRACTOR GE	206
LINKAGE-NOT INCLUDED GE TRACTOR	207
LINKAGE-TRACTOR GE	208
LINKAGE	209
LINKAGE-MECANICS LIFT CYLINDER RIGTH	210
LINKAGE-TRACTOR FP - AP	211
LINKAGE-TRACTOR FP - AP	212
SHEET METAL	213
SHEET METAL-TRACTOR SP - FP - GE	214
SHEET METAL-TRACTORT AP	215
COOLING SYSTEM-SHIELD FAN	216
SHEET METAL-TRACTOR SP - FP - GE	217
SHEET METAL-TRACTORT AP	218
DECALS	219
DECALS	220
DECALS	221
DECALS	222
DECALS	223
FENDERS - FRONT-4 WHEELS DRIVE	224
FENDERS AND PLATFORM-TRACTOR SP	225
FENDERS AND PLATFORM-TRACTOR FP - AP	226
FENDERS AND PLATFORM-TRACTOR GE	227
SEAT	228
SEAT-CHASSIS AND SUSPENSION	229
SAFETY FRAME-TRACTOR SP - FP - GE	230
SAFETY FRAME-TRACTORT AP	231
ROTATING LIGHT	232
WEIGHT FRAME AND WEIGHTS W	233
HITCH CONNECTIONS-WITHOUT HITCH	234
REAR HOOK	235
DRAWBAR-HEAVY DUTY	236
REAR HOOK-STANDARD TYPE	237
REAR HOOK-TRACTOR FP - AP - H	238
TOOL KIT	239
SEALERS AND LIQUID GASKETS ADHESIES	240
HEATER KIT-COLD CLIMATE	241
REDUCER OPTION-SHUTTLE AND CREEPER VERSION KIT	242
REDUCER OPTION-UNDERDRIVE AND SHUTTLE VERSION KIT	243
REDUCER OPTION-OVERDRIVE AND SHUTTLE VERSION KIT	244
REDUCER OPTION-OVERDRIVE AND SHUTTLE VERSION KIT	245
REDUCER OPTION-OVERDRIVE AND CREEPER VERSION KIT	246
REDUCER OPTION-SHUTTLE AND CREEPER VERSION KIT	247
KIT TRAILOR BRAKE LINES-TRACTOR SP - FP - AP	248
AUXILIARY HYDRAULIC VALVE LINES KIT-KIT FOR 2.0 DISTRIBUTOR - HIDROIRMA	249
AUXILIARY HYDRAULIC VALVE LINES KIT-KIT FOR 2.0 DISTRIBUTOR - HIDROIRMA	250
AUXILIARY HYDRAULIC VALVE LINES KIT-KIT FOR 3.0 DISTRIBUTOR - HIDROIRMA	251
AUXILIARY HYDRAULIC VALVE LINES KIT-KIT FOR 2.0 DISTRIBUTOR - HIDROIRMA	252
AUXILIARY HYDRAULIC VALVE LINES KIT-KIT FOR 2.0 DISTRIBUTOR - TILL	253
AUXILIARY HYDRAULIC VALVE LINES KIT-KIT FOR 2.0 DISTRIBUTOR - TILL	254
AUXILIARY HYDRAULIC VALVE LINES KIT-KIT FOR 2.0 DISTRIBUTOR - TILL	255
AUXILIARY HYDRAULIC VALVE LINES KIT-KIT FOR 3.0 DISTRIBUTOR - TILL	256
AUXILIARY HYDRAULIC VALVE LINES KIT-KIT FOR 3.0 DISTRIBUTOR - TILL	257
AUXILIARY HYDRAULIC VALVE LINES KIT-WITH AUXILIARY HYDRAULIC VALVE CLEARANCE	258
KIT FRONT FENDERS-4 WHEELS DRIVE	259
KIT HOOK PULL	260
KIT HOOK PULL-TRACTOR FP - AP	261



MASSEY FERGUSON

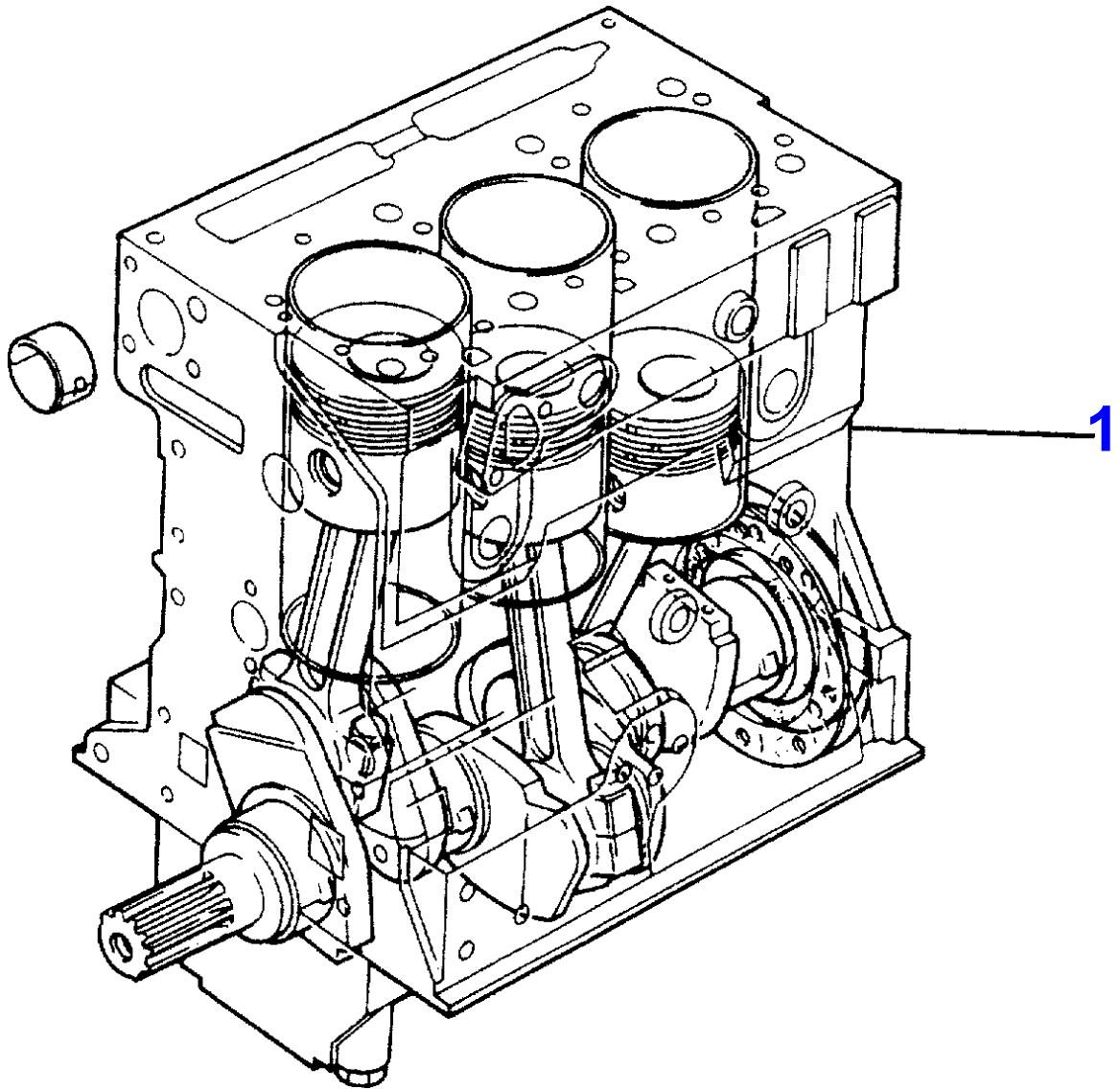
MF 364 SP - FP - AP - GE TRACTOR - 3540239

3540239

ENGINE ASSEMBLY-T3.152.4 ENGINE

1

Item	Part Number	Qty	Description	Comments
1	3553117M91	1	Engine	[C] "CN31198"
1	3553116M91	1	Engine	[D] "CN31225"
				[C] STD.HYDRAULIC LINES
				[D] SINGLE HYDRAULIC LINES



MASSEY FERGUSON

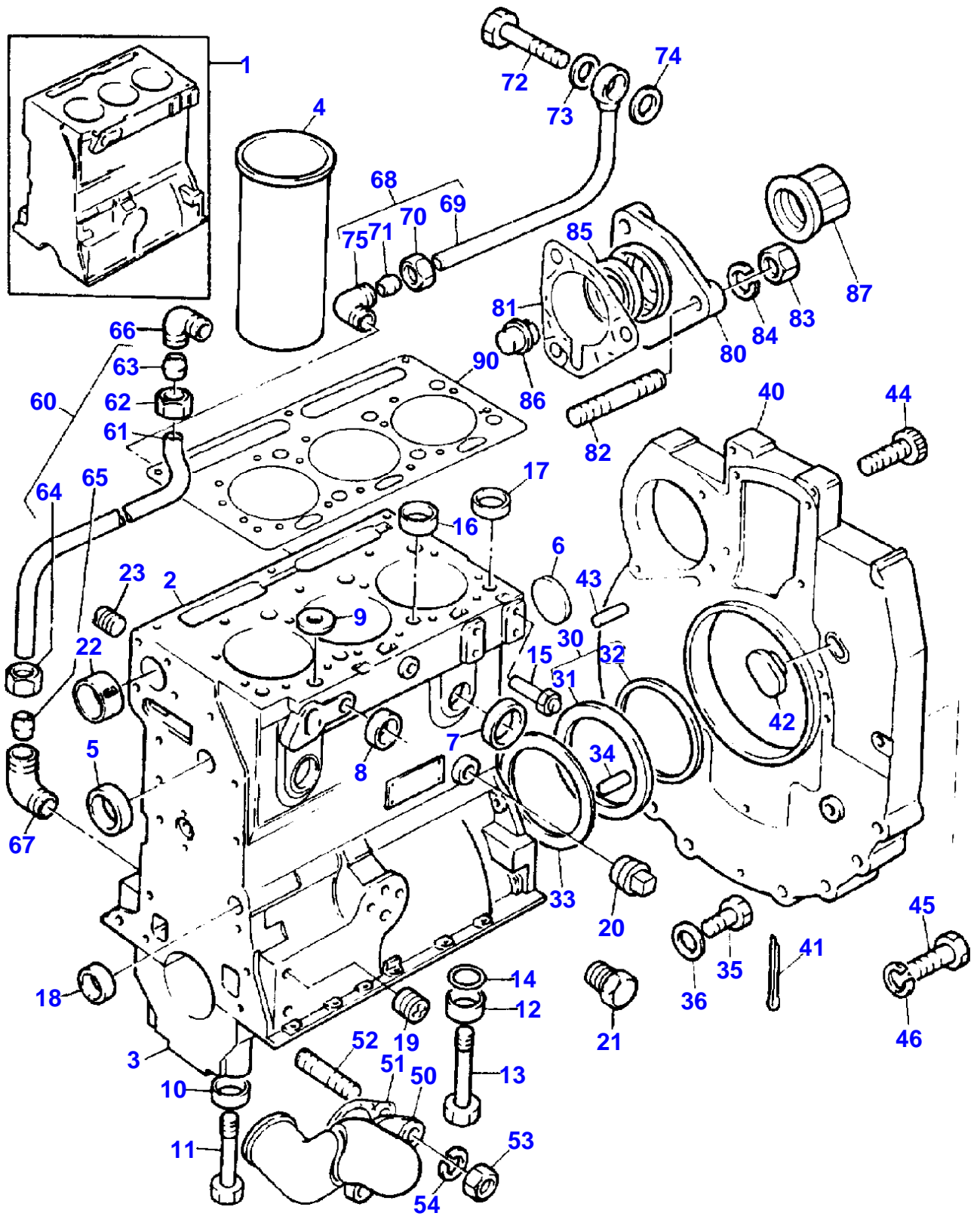
MF 364 SP - FP - AP - GE TRACTOR - 3540239

3540239

SHORT ENGINE-TABLE PK ACEC9107

2

Item	Part Number	Qty	Description	Comments
1	CN39125	1	SHORT ENGINE	[A] "CN39117"
2		1		[B]
		3		(1)
		1		(1)
		2		(1)
		1		(1)
		3		(1)
		3		(1)
		3		(1)
		1		(1)
		4		(1)
		1		(1)
		1	HOUSING	(1)
				[B] COMPLETE WITH PLUGS
				[A] LIP SEAL



CYLINDER BLOCK-T3.152.4 ENGINE

Item	Part Number	Qty	Description	Comments
1	ZZ 50133	1	BLOCK	Up to Serial or Engine Number
	ZZ 50206	1	BLOCK	From Serial or Engine Number
2		1		(1) Not serviced, order REF.1
3		4		(1) Not serviced, order REF.1
4	31358323	3	Liner	[A, X] (1) 00.003.003.006
4	31358345	X	Liner	[B]
	31358357	X	Liner	[B] Thickness (+)0.76MM Thickness (+)0.030
5	0650710	1	Plug	(1)
6	0650692	1	Plug	(1)
7	0650710	4	Plug	(1)
8	32417163	2	Plug	(1)
9	33141124	1	Plug	(1)
10	33137408	6	Thimble	(1)
11	32181441	6	Screw	(1)
12	33137408	2	Thimble	(1)
13	32181442	2	Screw	(1)
14	2415608	2	O Ring	(1)
15	2485A204	1	Plug	(1)
16	33157142	2	Plug	(1)
17	33157143	2	Plug	(1)
18	0650566	2	Plug	(1)
19	32114472	3	Plug	(1)
20	0650593	1	Plug	(1)
20	0650594	1	Plug	Up to Serial or Engine Number U726816K [D] From Serial or Engine Number U726817K
21	32161114	1	Plug	(1)
22	32114143	1	Plug	(1)
23	31134128	1	Bush	(1)
30	4142V002	1	Housing	[X] . 1. 2. 4
31		1		(30) Not serviced, order REF.30
32	2418F475	1	Seal	(30)
33	33826115	1	GASKET	[X] . 1. 2. 4
34	0350015	2	Dowel	
35	2183205	9	Screw	
36	390972X1	9	Washer	
			Metric	
40	37147975	1	Plate	
41	0610045	1	Pin	
42	37813113	1	Plug	
43	0350016	2	Dowel	
44	0720798	2	Screw	
45	0746454	6	BOLT	
46	0920054	6	Washer	
50	3765T011	1	Connection	
51	3686J003	1	GASKET	
52	2217072	2	Stud	
53	0576002	2	Nut	
54	0920053	2	Washer	
60	35352404	1	Pipe,Oil	
61		1		(60) Not serviced, order REF.60
62	0576111	1	Nut	(60)
63	0566002	1	Olive	(60)
64	0576111	1	Nut	(60)
65	0566002	1	Olive	(60)
66	0201047	1	Connection	
67	0201047	1	Connection	
68	35568109	1	Pipe,Oil	
69		1	PIPE	(68) Not serviced, order REF.68
70	0576111	1	Nut	(68)

CYLINDER BLOCK-T3.152.4 ENGINE

Item	Part Number	Qty	Description	Comments
71	0566002	1	Olive	(68)
72	0095350	1	Bolt	
73	2411118	1	Washer	
74	2411118	1	Washer	
75	0201047	1	Connection	
80	37556191	1	Plate	[E]
81	36862605	1	GASKET	
82	2183205	3	Screw	[F]
82	2183203	3	Screw	[G]
83	0920053	3	Washer	
90	3681E024	1	GASKET	[X]

. 4. 4. 8

[A]

PRESS FIT

[B]

SLIP FIT

[X]

QTY PER TRACTORS SOLD (AA.BBB.CCC.DDD) (AA) FOR 1 ,(BBB) 2-10 (CCC) 11-25 (DDD) 26-50

[D]

FITTED IN PLACE OF OIL PRESSURE RAIL PLUG SUPPLIED WITH CYLINDER BLOCK ASSEM

[C]

REMOVE AND FIT 0650594

[F]

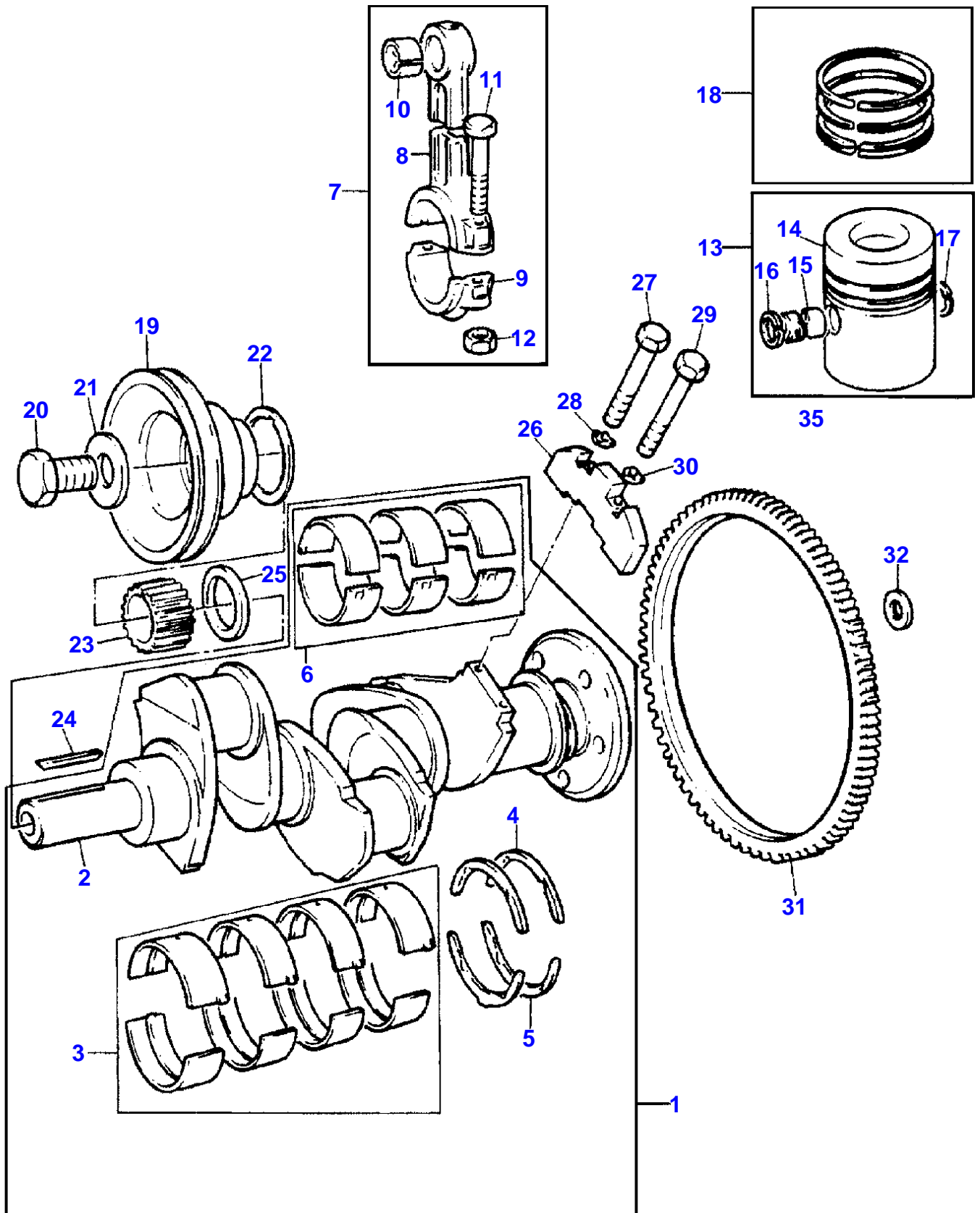
USED ONLY WITH 37416753

[G]

USED ONLY WITH 37556191

[E]

WAS 37416753 - USE 37556191 WITH 2183203-3



CRANKSHAFT, PISTONS AND CONNECTING RODS-T3.152.4 ENGINE

Item	Part Number	Qty	Description	Comments
1	ZZ90106	1	SHAFT	
2		1		(1) Not serviced, order REF.1
3	U5MB0008	1	KIT	[A, X] . 1. 2. 3
3	68084A	X	Kit, Bearing	[A] Thickness (-)0.25MM Thickness (-)0.010 U5MB0008A
3	U5MB0008B	X	KIT	[A] Thickness (-)0.50MM Thickness (-)0.020
3	U5MB0008C	X	KIT	[A] Thickness (-)0.75MM Thickness (-)0.030
4	31137211	2	Thrust Washer	[X] (1) . 1. 2. 3
4	31137212	X	Washer	Thickness (+)0.19MM Thickness (+)0.0075
5	31137221	2	Thrust Washer	[X] (1) . 1. 2. 3
5	31137222	X	Washer	Thickness (+)0.19MM Thickness (+)0.0075
6	U5ME0005	1	KIT	[A, X] (1) . 1. 2. 3
6	U5ME0005A	X	KIT	[A] Thickness (-)0.25MM Thickness (-)0.010
6	U5ME0005B	X	KIT	[A] Thickness (-)0.50MM Thickness (-)0.020
6	U5ME0005C	X	KIT	[A] Thickness (-)0.75MM Thickness (-)0.030
7	ZZ90010	1	Kit, Conrod	[X] . 3. 6. 9
8		1	CONROD	(7) Not serviced, order REF.7
9		1	SUPPORT	(7) Not serviced, order REF.7
10	31134151	1	Bush	(7)
11	0095250	2	Bolt	(7)
12	33221327	2	Nut	(7)
13	U5LP0029	3	Kit, Piston	[B]
	U5LU0023	3	Kit, Piston	[C, X] . 3. 6. 9
14		1	PISTON	(13) Not serviced, order REF.13
15		1		(13) Not serviced, order REF.13
16	0170001	1	Circlip	(13)
17	0170001	1	Circlip	(13)
18	4181A017	3	Kit, Piston Ring	[X] . 3. 6. 9
19	31147788	1	PULLEY	
20	32162331	1	Screw	
21	33125112	1	Washer	
22	33176137	1	Washer	
23	31163495	1	GEAR	[D, G] Number of teeth/spines 25
23	31163495	1	GEAR	[E, H] Number of teeth/spines 25
24	36271704	1	Woodruff Key	
25	33125151	1	SPACER	
26	31328242	2	Weight	[F]
27	2185189	2	Screw	
28	31731515	2	Washer	Right Hand
29	2185189	2	Screw	
30	31731516	2	Washer	Left Hand
31	3552228M1	1	CROWNWHEEL	Number of teeth/spines 115

MASSEY FERGUSON

MF 364 SP - FP - AP - GE TRACTOR - 3540239

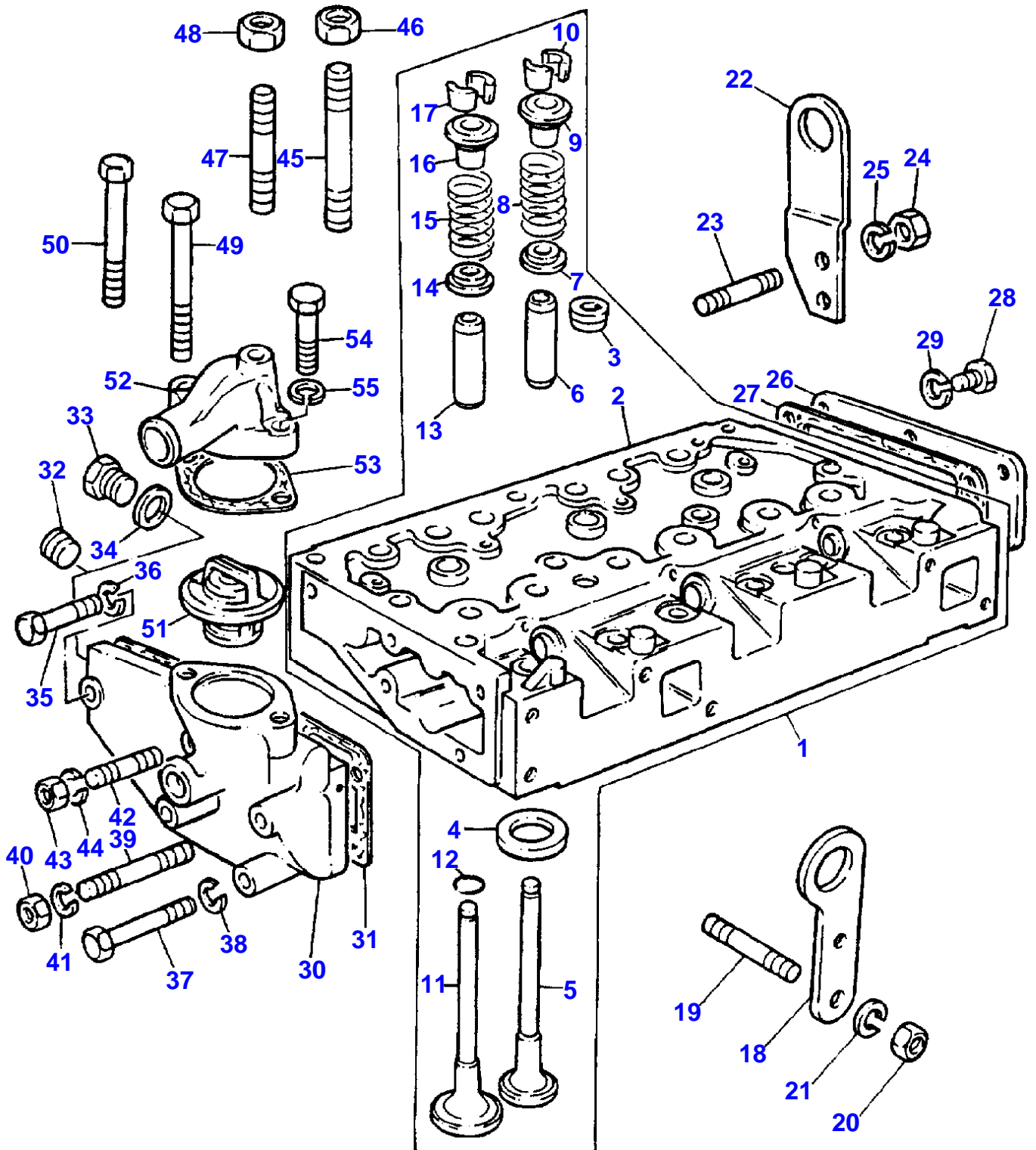
3540239

CRANKSHAFT, PISTONS AND CONNECTING RODS-T3.152.4 ENGINE

4

Item	Part Number	Qty	Description	Comments
32	33117127	6	Washer	

[A]
PRE-FINISHED
[C]
PRE-TOPPED
[B]
UNTOPPED
[X]
QTY PER TRACTORS SOLD (AA.BBB.CCC.DDD) (AA) FOR 1 ,(BBB) 2-10 (CCC)
11-25 (DDD) 26-50
[D]
FOR ENGINES BUILT TO BUILD LIST CN31198 (3553117M9 1).
[E]
FOR ENGINES BUILT TO BUILD LIST CN31225 (3553116M9 1).
[G]
STD.HYDRAULIC LINES
[H]
SINGLE HYDRAULIC LINES
[F]
REPLACES 31328241 IN ENGINE SETS ONLY(QTY 2).



CYLINDER HEAD-T3.152.4 ENGINE

Item	Part Number	Qty	Description	Comments
1	ZZ80113	1	CYLINDER HEAD	[X]
2		1		. 0. 1. 2 (1) Not serviced, order REF.1
3	2431154	2	Plug	(1)
4	3314A005	3	Insert	[X] (1)
5	3142A081	3	Valve Exhaust	. 6. 12. 24 [X] (1)
6	3313E011	3	Guide	. 3. 6. 18 [X] (1)
7	33415133	3	Washer	. 3. 6. 18 [X] (1)
8	0780006	3	Spring	(1)
9	33423148	3	Cap	[X] (1)
10	0230001	6	Cotter	. 3. 6. 18 [A, X] (1)
11	31431121	3	VALVE	. 3. 6. 18 [X] (1)
12	2415258	3	Seal	(1)
13	3313E011	3	Guide	(1)
14	33177518	3	Washer	(1)
15	0780006	3	Spring	(1)
16	33423148	3	Cap	(1)
17	0230001	6	Cotter	[A] (1)
18	3624V004	1	Plate	
19		2		
20		2		
21		2		[B]
22		1		[C]
23	2216194	2	SCREW	
24	2188135	2	Nut	
25	0920054	2	Washer	
26	3612M002	1	Plate	
27	36851416	1	GASKET	
28	353517X1	6	Screw Unf	
29	0920053	6	Washer	
30	3771K072	1	BODY	
31	3685A005	1	GASKET	[X] . 2. 4. 6
32	2431A054	1	Plug	
33	0650203	1	Plug	
34	2411157	1	Washer	
35	0096213	2	Bolt	Up to Serial or Engine Number 11/07/90
	2186219	2	SCREW	From Serial or Engine Number 12/07/90
36	0920053	2	Washer	
37	2185551	1	SCREW	
38	0920054	1	Washer	
39	2215179	1	STUD	Up to Serial or Engine Number 11/07/90
	2183205	1	Screw	From Serial or Engine Number 12/07/90
40	2188135	1	Nut	
41	0920054	1	Washer	
42	2217072	1	Stud	Up to Serial or Engine Number 11/07/90
	2186219	1	SCREW	From Serial or Engine Number 12/07/90
43	0576002	1	Nut	
44	0920053	1	Washer	
45	32524132	1	Stud	
46	33221329	1	Nut	
47	32524148	3	Stud	
48	33221329	3	Nut	
49	32181457	5	Screw	
50	32181458	9	Screw	
51	2485613	1	Thermostat	[X] . 2. 4. 16
52	3764A041	1	CONNECTION	
53	36834154	1	GASKET	[X] . 2. 4. 16
54	0746458	2	SCREW	

MASSEY FERGUSON

MF 364 SP - FP - AP - GE TRACTOR - 3540239

3540239

CYLINDER HEAD-T3.152.4 ENGINE

5

Item	Part Number	Qty	Description	Comments
55	0920054	2	Washer	

[A]

SERVICED IN PAIRS

[X]

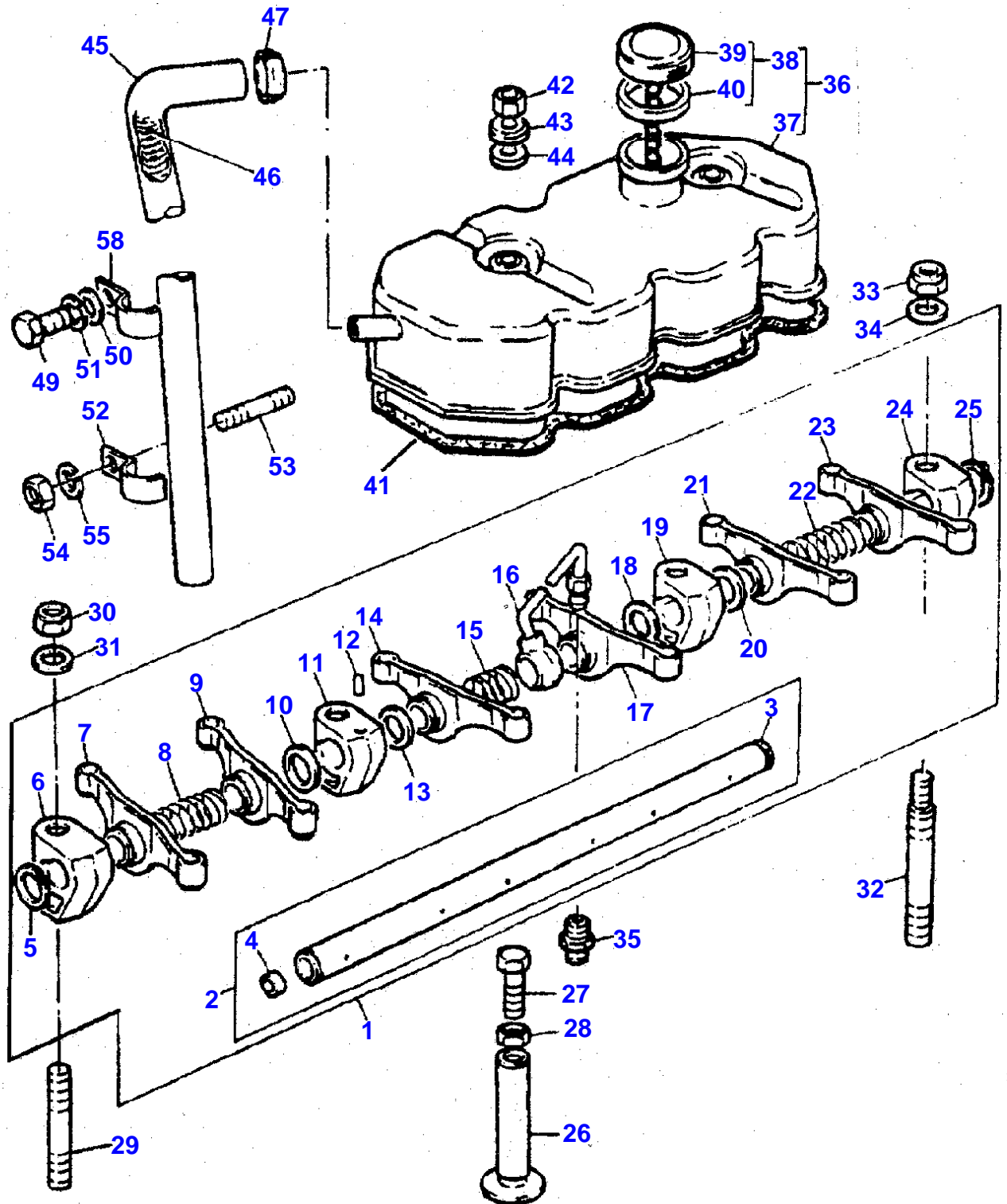
QTY PER TRACTORS SOLD (AA.BBB.CCC.DDD) (AA) FOR 1 ,(BBB) 2-10 (CCC) 11-25 (DDD) 26-50

[B]

NOT REQUIRED FOR THIS APPLICATION

[C]

NOT SERVICED



ROCKER SHAFT-T3.152.4 ENGINE

Item	Part Number	Qty	Description	Comments
1	4115R805	1	Rocker Shaft Ass	[X]
				00.001.002.008
2	ZZ90047	1	Rocker Shaft	(1)
3		1	SHAFT	(2)
				Not serviced, order REF.2
4	0650507	2	Plug	(2)
5	0170033	1	Circlip	(1)
6	0101138	1	Bracket	(1)
7	3737A091	1	Lever	(1)
				Right Hand
8	0780005	1	Spring	(1)
9	3737A091	1	Lever	(1)
				Right Hand
10	0330505	1	Spacer	(1)
11	37521212	1	Bracket	(1)
12	2112A066	1	Pin	(1)
13	0330505	1	Spacer	(1)
14	3737A101	1	Lever	(1)
				Left Hand
15	0780175	1	Spring	(1)
16	35568352	1	Pipe,Oil	(1)
17	3737A091	1	Lever	(1)
				Right Hand
18	0330505	1	Spacer	(1)
19	0101138	1	Bracket	(1)
20	0330505	1	Spacer	(1)
21	3737A101	1	Lever	(1)
				Left Hand
22	0780005	1	Spring	(1)
23	3737A101	1	Lever	(1)
				Left Hand
24	0101138	1	Bracket	(1)
25	0170033	1	Circlip	(1)
26	0860012	6	Tappet	
27	32151116	6	Screw	
28	0576052	6	Nut	
29	2214209	2	Stud	
30	2211283	2	Nut	
31	0920004	2	Washer	
32	32754435	2	Stud	
33	2211283	2	Nut	
34	0920004	2	Washer	
35	0206002	1	Union	
36	37188197	1	COVER	
37		1		(36)
				Not serviced, order REF.36
38	2487854	1	Cap	(36)
39		1		(38)
				Not serviced, order REF.38
40	24870001	1	Joint	(38)
41	36811115	1	Joint	[X]
				. 2. 4. 10
42	0576102	2	Nut	
43	3314P004	2	Washer	
44	3381A003	2	Washer	
45	33872516	1	Pipe,Breather	
46	31754118	1	Spring	
47	21825195	1	Clip	
48	36561129	1	Clip	
49	2233204	1	Screw	
50	0920002	1	Washer	
51	0920052	1	Washer	
52	36561129	1	Clip	
53	2217570	1	Stud	
54	0576002	1	Nut	
55	0920053	1	Washer	

[X]

MASSEY FERGUSON

MF 364 SP - FP - AP - GE TRACTOR - 3540239

3540239

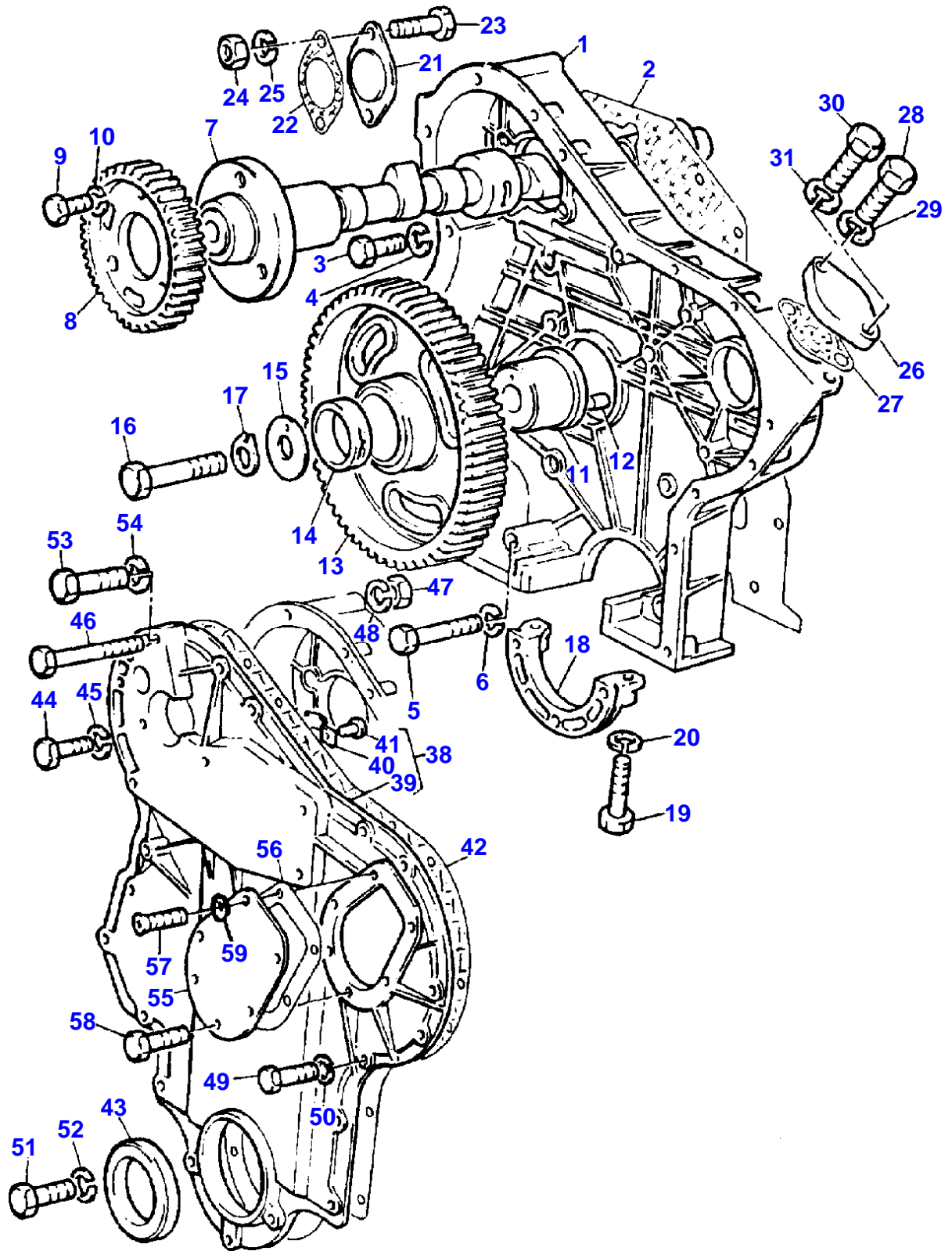
ROCKER SHAFT-T3.152.4 ENGINE

6

Item Part Number Qty Description

Comments

QTY PER TRACTORS SOLD (AA.BBB.CCC.DDD) (AA) FOR 1 ,(BBB) 2-10 (CCC)
11-25 (DDD) 26-50



TIMING GEAR AND CAMSHAFT-T3.152.4 ENGINE

Item	Part Number	Qty	Description	Comments
1	37161482	1	Timing Case	
2	36814161	1	GASKET	[X] . 1. 2. 8
3	0746355	12	Screw	
4	0920053	12	Washer	
5	0096234	2	Bolt	
6	0920053	2	Washer	
7	31415264	1	Camshaft	
8	31164131	1	GEAR	Number of teeth/spines 50
9	0746214	3	Screw	
10	0920053	3	Washer	
11	0995447	1	Hub	
12	0350005	1	Dowel	
13	31164362	1	Gear,Idler	[A, C] Number of teeth/spines 90
13	4111A015	1	Gear,Idler	[B, D] Number of teeth/spines 90
14	2511A735	1	Bush	
15	0940738	1	Plate	
16	0095199	1	Screw	
17	0920883	1	Washer	
18	37354312	1	Timinggear Cover	
19	0746259	2	SCREW	
20	0920053	2	Washer	
21	37461104	1	Plate	
22	36835413	1	Joint	
23	0748510	2	Bolt	
24	2238153	2	Nut	
25	0920054	2	Washer	
26	36172128	1	Plate	
27	36837413	1	Joint	
28	2183204	1	Screw	
29	0920053	1	Washer	
30	2183204	1	Screw	
31	0920053	1	Washer	
38	ZZ90039	1	Kit, Front Cover	
39		1	COVER	(38) Not serviced, order REF.38
40	3661P002	1	Spring	(38)
41	2126151	1	Rivet	(38)
42	36813158	1	GASKET	[X] . 1. 2. 8
43	2415344	1	Seal	[X] . 1. 2. 8
44	0748414	2	Setscrew	
45	0920053	2	Washer	
46	0096213	1	Bolt	
47	0576002	2	Nut	
48	0920053	2	Washer	
49	0748354	8	Screw	
50	0920052	8	Washer	
51	2233207	3	Screw	
52	0920053	3	Washer	
53	0096240	1	Bolt	
54	0920053	1	Washer	
55	36234114	1	Blanking Cover	
56	36862572	1	GASKET	
57	2233103	5	Screw	
58		1		
59	0920052	5	Washer	From Serial or Engine Number

[X]
 QTY PER TRACTORS SOLD (AA.BBB.CCC.DDD) (AA) FOR 1 ,(BBB) 2-10 (CCC)
 11-25 (DDD) 26-50
 [A]
 FOR ENGINES BUILT TO BUILD LIST CN31198 (3553117M9 1).
 [B]
 FOR ENGINES BUILT TO BUILD LIST CN31225 (3553116M9 1).
 [C]

MASSEY FERGUSON

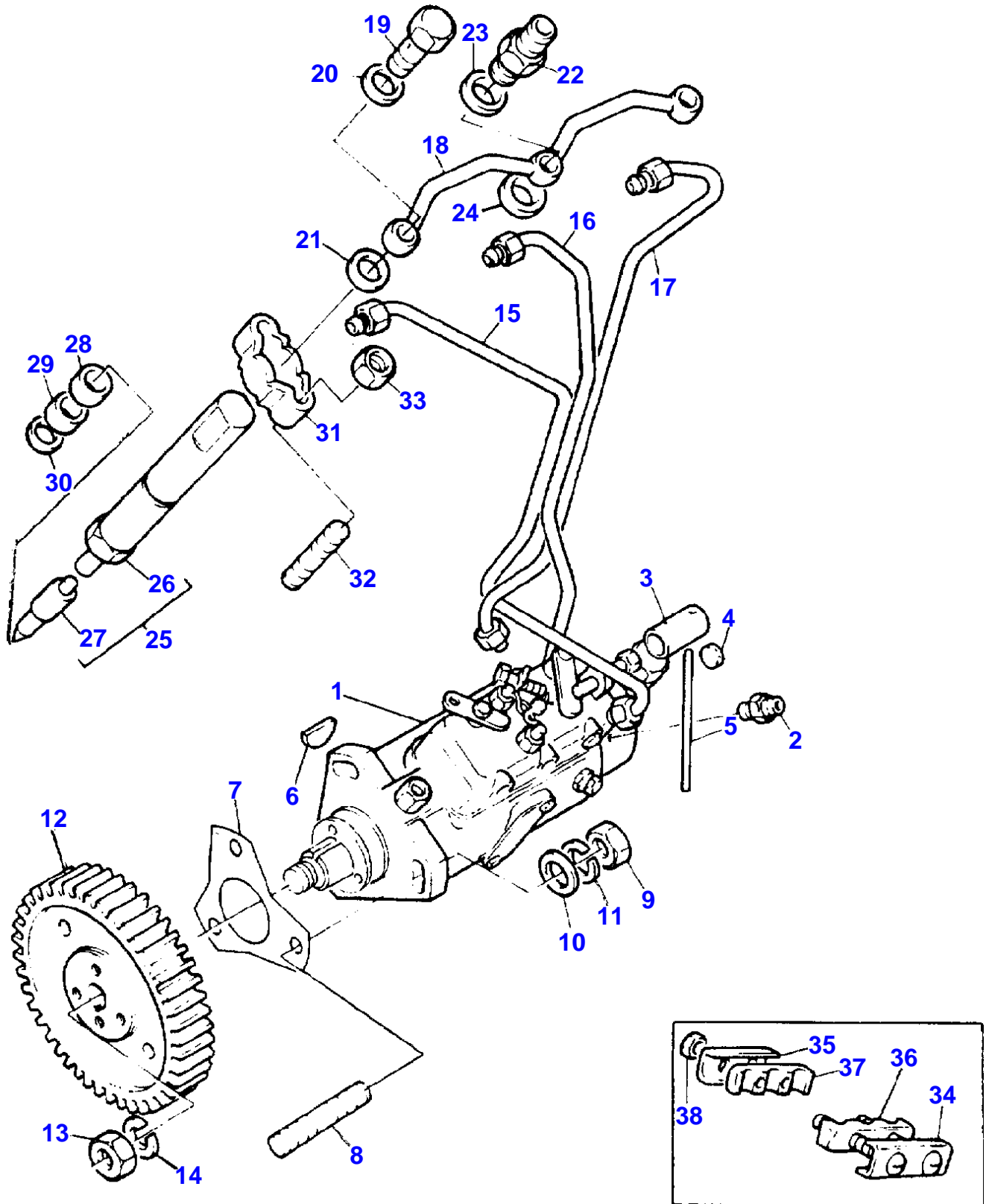
MF 364 SP - FP - AP - GE TRACTOR - 3540239

3540239

TIMING GEAR AND CAMSHAFT-T3.152.4 ENGINE

7

Item	Part Number	Qty	Description	Comments
				STD.HYDRAULIC LINES
				[D]
				SINGLE HYDRAULIC LINES



FUEL INJECTION EQUIPMENT-T3.152.4 ENGINE

Item	Part Number	Qty	Description	Comments
1	2643B132	1	PUMP	
2	28730179	1	Solenoid	
3	3281M002	1	SLEEVE	
4	31718104	1	Seal	
5	31718105	1	Wire	
6	26430809	1	Woodruff Key	
7	3687H011	1	GASKET	
8	2217575	3	Stud	
9	0576002	3	Nut	
10	390972X1	3	Washer Metric	
11	0920053	3	Washer	
12	3116K072	1	Gear,Fuel Pump	[A, C] Number of teeth/spines 50
12	3116K081	1	GEAR	[B, D] Number of teeth/spines 50
13		1	NUT	[F]
14	26430506	1	Washer	
15	3521E022	1	Injection Pipe	[X] NO.1 CYL. . 1. 2. 4
16	3521E023	1	Injection Pipe	[X] NO.2 CYL. . 1. 2. 4
17	3521E024	1	Injection Pipe	[X] NO.3 CYL. . 1. 2. 4
18	3558X013	1	Leak-Off Pipe	[X] . 1. 2. 4
19	0095315	2	Banjo Bolt	
20	0920107	2	Washer	
21	0921172	2	WASHER	
22	0201526	1	Union	
23	0920107	1	Washer	
24	0920107	1	Washer	
25	2645A013	3	Atomiser	[X] . 3. 6. 18
26	2645A301	1	Holder	(25)
27	2645K603	1	Nozzle	(25)
28	33813126	3	Spacer	
29	33813127	3	Seal	
30	0921173	3	Washer	
31		3	SUPPORT	Not serviced, order REF.39
32	2216108	6	Stud	
33	0576002	6	Nut	
34	38631117	1	Plate	
35	36511127	1	Plate	
36	36845115	1	Clip	
37	36845115	1	Clip	
38	2211401	2	Nut	
39	3662K002	3	Clamp	
40	26431164A	X	Shim	[E] (25) Thickness (+) 0,30MM
40	26431164B	X	Shim	Thickness (+) 0,42MM
	26431164C	X	Shim	Thickness (+) 0,44MM
	26431164D	X	Shim	Thickness (+) 0,46MM
	26431164E	X	SHIM	Thickness (+) 0,48MMMM
	26431164F	X	Shim	Thickness (+) 0,50MM
	26431164G	X	Shim	Thickness (+) 0,52MM
	26431164H	X	Shim	Thickness (+) 0,54MM
	26431164J	X	Shim	Thickness (+) 0,56MM
	26431164K	X	Shim	Thickness (+) 0,58MM
	26431164L	X	Shim	Thickness (+) 0,60MM
	26431164M	X	Shim	Thickness (+) 0,62MM
	26431164N	X	Shim	Thickness (+) 0,64MM
	26431164P	X	Shim	Thickness (+) 0,66MM
	26431164Q	X	SHIM	Thickness (+) 0,68MM
	26431164R	X	SHIM	Thickness (+) 0,70MM
	26431164S	X	SHIM	Thickness (+) 1,00MM
	26431164T	X	SHIM	Thickness (+) 1,28MM

MASSEY FERGUSON

MF 364 SP - FP - AP - GE TRACTOR - 3540239

3540239

FUEL INJECTION EQUIPMENT-T3.152.4 ENGINE

8

Item	Part Number	Qty	Description	Comments
40	26431164U	X	SHIM	Thickness (+) 1,56MM
41	26431823	1	SPRING	[E] (25)
42	26431824	1	SEAT	[E] (25)
43	26431839	1	CAP	[E] (25)

[E]

NOT ILLUSTRATED

[X]

QTY PER TRACTORS SOLD (AA.BBB.CCC.DDD) (AA) FOR 1 ,(BBB) 2-10 (CCC) 11-25 (DDD) 26-50

[A]

FOR ENGINES BUILT TO BUILD LIST CN31198 (3553117M9 1).

[B]

FOR ENGINES BUILT TO BUILD LIST CN31225 (3553116M9 1).

[C]

STD.HYDRAULIC LINES

[D]

SINGLE HYDRAULIC LINES

[F]

NO LONGER FITTED.



Suggest:

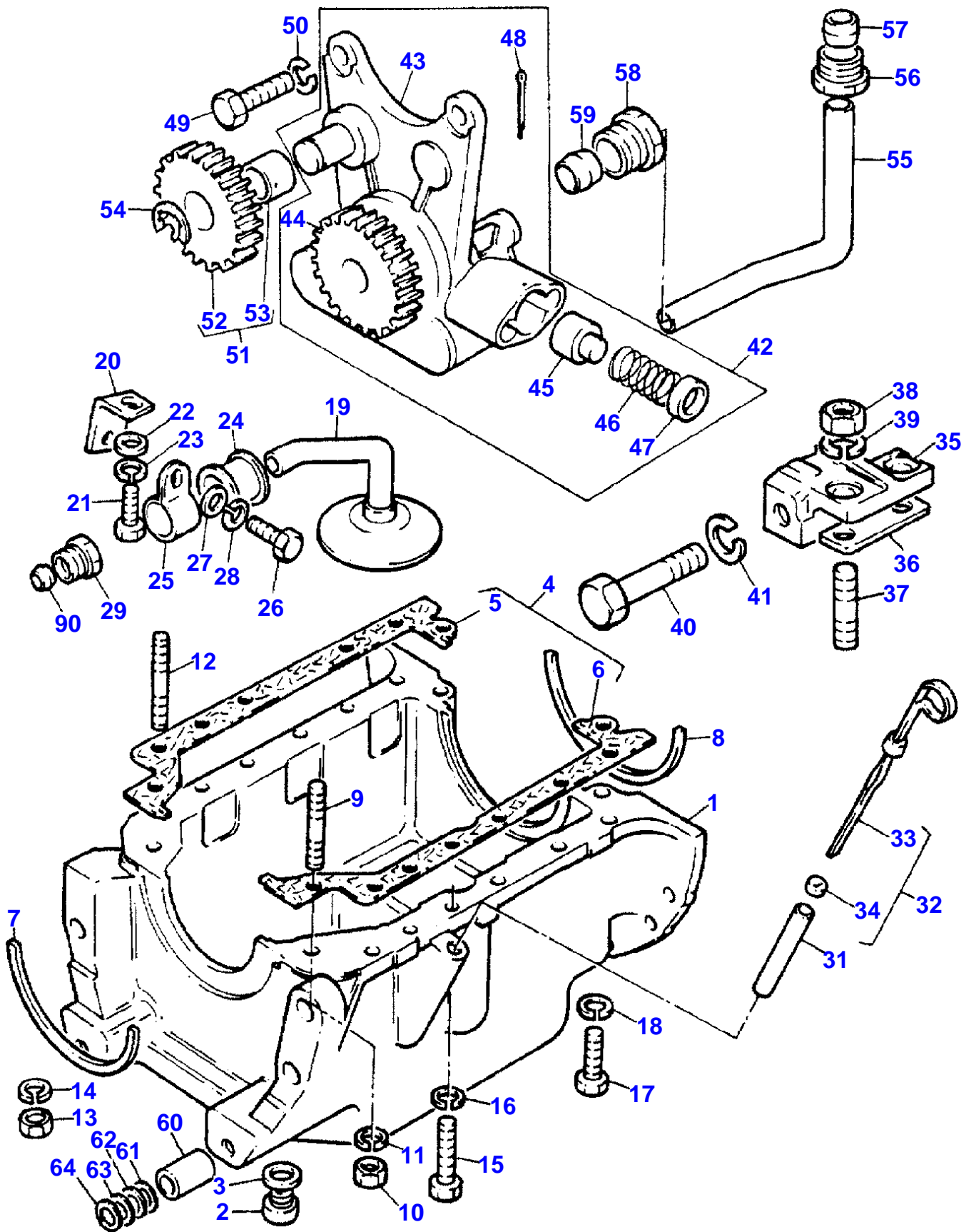
If the above button click is invalid.

Please download this document

first, and then click the above link

to download the complete manual.

Thank you so much for reading



<https://www.ebooklibonline.com>

Hello dear friend!

Thank you very much for reading.

Enter the link into your browser.

The full manual is available for immediate download.

<https://www.ebooklibonline.com>