

Page Title	Page Number
ENGINE - AD3.152 ENGINE	1
SHORT ENGINE- . - TABLE PK ACEC9106- .	2
CYLINDER BLOCK - AD3.152 ENGINE	3
CRANKSHAFT, PISTONS AND CONNECTING RODS - AD3.152 ENGINE	6
CYLINDER HEAD - AD3.152 ENGINE	9
ROCKER SHAFT - AD3.152 ENGINE	11
TIMING GEAR AND CAMSHAFT - AD3.152 ENGINE	13
FUEL INJECTION EQUIPMENT (DIESEL) - AD3.152 ENGINE	16
LUBRICATING OIL SUMP - AD3.152 ENGINE	18
LUBRICATING OIL FILTER AND INTEGRAL COOLER - AD3.152 ENGINE	21
WATER PUMP, THERMOSTAT AND HEAT EXCHANGER - AD3.152 ENGINE	22
LOW PRESSURE FUEL SYSTEM - AD3.152 ENGINE	24
AIR INDUCTION AND EXHAUST SYSTEM -	25
ALTERNATOR POSITIONER - AD3.152 ENGINE	26
JOINTS AND GASKETS - AD3.152 ENGINE	27
HEATER - COLD CLIMATE	28
ALTERNATOR - VALEO TYPE	29
ALTERNATOR-LUCAS -	31
STARTER MOTOR - UP TO SERIAL NUMBER R35158- .	33
STARTER MOTOR - FROM SERIAL NO. R35159- .	34
STARTER MOTOR - FROM SERIAL NO. S12087- .	36
COOLING SYSTEM-ENGINE - FAN AND HOSES	37
COOLING SYSTEM - RADIATOR AND BRACKET- .	38
FUEL SYSTEM-FUEL FILTER -	41
FUEL SYSTEM-FUEL TANK AND ATTACHMENTS - TANK STD	43
FUEL SYSTEM-FUEL TANK AND ATTACHMENTS - TANK	45
AIR FILTER-OIL BATH AIR FILTER -	47
EXHAUST SYSTEM-VERTICAL -	48
EXHAUST SYSTEM-HORIZONTAL -	49
THROTTLE CONTROLS -	51
INSTRUMENT PANEL AND INSTRUMENTS -	53
INSTRUMENT PANEL AND INSTRUMENTS -	57
ELECTRICAL WIRING -	58
ELECTRONIC HARNESS-INSTRUMENT PANEL -	63
SENSORS HARNESS -	64
LIGHTING EQUIPMENT-REAR -	65
ELECTRICAL WIRING-TRACTOR CAB -	66
LIGHTING EQUIPMENT -	67
LIGHTING EQUIPMENT -	72
ROTATING LIGHT -	73
BATTERY -	75
CLUTCH-DUAL CLUTCH - LUK - 11- .	76
CLUTCH-DUAL CLUTCH - O.M.G. - 11- .	79
CLUTCH-DUAL CLUTCH - O.M.G. - 11- .	81
CLUTCH-DUAL CLUTCH - LUK - 11- .	83
CLUTCH PEDAL AND LINKAGE -	85
CENTRE AXLE HOUSING AND TRANSMISSION HOUSING -	88
12 SPEED TRANSMISSION - STANDARD VERSION	90
12 SPEED TRANSMISSION - STANDARD VERSION	93
SHIFT LEVERS-12 SPEED TRANSMISSION -	96
SHIFT LEVERS-12 SPEED TRANSMISSION -	98
REDUCER - OVERDRIVE AND SHUTTLE VERSION	100
REDUCER CONTROL - OVERDRIVE AND SHUTTLE VERSION	104
REDUCER - OVERDRIVE AND UNDERDRIVE VERSION	106
REDUCER CONTROL - OVERDRIVE AND UNDERDRIVE VERSION	110
REDUCER - UNDERDRIVE AND SHUTTLE VERSION	112
REDUCER CONTROL - UNDERDRIVE AND SHUTTLE VERSION	116
REDUCER - SHUTTLE AND CREEPER VERSION	117
REDUCER CONTROL - SHUTTLE AND CREEPER VERSION	120
REDUCER - OVERDRIVE AND CREEPER VERSION	121
REDUCER CONTROL - OVERDRIVE AND CREEPER VERSION	124
REDUCER - UNDERDRIVE E CREEPER VERSION	126
REDUCER CONTROL - UNDERDRIVE E CREEPER VERSION	129
REDUCER - FOR SHUTTLE VERSION ONLY.	130
GEAR BOX - FOR SHUTTLE VERSION ONLY.	133
PTO SHAFT - 540 R.P.M.- .	134

TABLE OF CONTENT

PTO SHAFT - 540 R.P.M.- .	136
PTO-CONTROL - 540 R.P.M.- .	138
PTO SHAFT - 540/750/1000 R.P.M.- .	139
PTO SHAFT - 540/750/1000 R.P.M.- .	141
PTO-CONTROL - 540/750/1000 R.P.M.- .	143
REAR AXLE-DIFFERENTIAL -	145
REAR AXLE-HOUSING -	147
REAR AXLE-DIFFERENTIAL LOCK MECHANISM - MECHANICAL CONTROL- .	149
BRAKE AND CONTROLS -	150
BRAKE AND CONTROLS -	152
BRAKES-HANDBRAKE -	154
BRAKE CYLINDER -	156
BRAKES-MASTER CYLINDER -	158
REAR WHEELS -	159
FRONT WHEELS -	162
FRONT AXLE 2 WHEEL DRIVE-AXLE SUPPORT -	165
TRANSFER GEAR BOX-4 WHEEL DRIVE -	168
4 WHEEL DRIVE CONTROLS -	170
FRONT AXLE 4 WHEEL DRIVE-DIFFERENTIAL -	171
FRONT AXLE 4 WHEEL DRIVE-DIFFERENTIAL -	173
FRONT AXLE 4 WHEEL DRIVE-FINAL DRIVE -	175
STEERING HYDRAULIC LINES -	178
STEERING HYDRAULIC LINES -	180
STEERING ORBITROL UNIT -	182
STEERING ORBITROL UNIT - 4 WHEELS DRIVE	184
STEERING-STEERING PUMP - UP TO SERIAL NUMBER- R31000	186
STEERING-STEERING PUMP - FROM SERIAL NO- R31001.	187
STEERING-STEERING PUMP - FROM SERIAL NO- R31001.	188
STEERING CYLINDER-2 WHEEL DRIVE -	189
STEERING CYLINDER-4 WHEEL DRIVE -	191
HYDRAULIC LIFT PIPINGS - STANDARD VERSION	192
HYDRAULIC LIFT PIPINGS -	194
HYDRAULIC LIFT PIPINGS -	196
HYDRAULIC PUMP - TUROLLA	198
HYDRAULIC PUMP - BOSCH	199
HYDRAULIC PUMP - CESSNA	200
HYDRAULIC LIFT VALVE -	202
HYDRAULIC LIFT-LIFT ARMS -	204
HYDRAULIC LIFT-LIFT ARMS -	206
HYDRAULIC LIFT CYLINDER - AUXILIARY	208
REAR CONTROLS-DRAFT AND POSITION -	210
REAR CONTROLS-DRAFT AND POSITION -	212
AUXILIARY HYDRAULIC VALVE LINES - TILL TYPE	215
AUXILIARY HYDRAULIC VALVE LINES -	218
AUXILIARY HYDRAULICS VALVE - TILL TYPE STANDARD- .	220
AUXILIARY HYDRAULICS VALVE - TILL TYPE FLOATING- .	222
ACCESSORIES HYDRAULIC - ADDITIONAL POWER OUTLET UNIT	224
LINKAGE CAT 2 -	225
LINKAGE CAT 2 -	228
LINKAGE CAT 2 -	230
SHEET METAL-GRILLE -	232
SHEET METAL-HOOD -	233
SHEET METAL-PANELS -	235
DECALS -	236
DECALS -	239
DECALS -	243
FENDERS AND PLATFORM -	245
FENDERS - FRONT -	251
SAFETY FRAME -	252
SEAT-GRAMMER -	253
TRACTOR CAB-FRAME -	256
TRACTOR CAB-ROOF -	259
TRACTOR CAB-CAB DOOR -	262
TRACTOR CAB-WINDOWS - FRONT- .	264
TRACTOR CAB-WINDOWS - REAR	266
TRACTOR CAB-CAB INSULATION -	269
TRACTOR CAB-CAB INSULATION -	270
TRACTOR CAB-ELECTRICAL EQUIPMENT -	272

TABLE OF CONTENT

00

TRACTOR CAB-CAB INSULATION -	273
WEIGHT FRAME AND WEIGHTS -	275
HITCH CONNECTIONS -	276
REAR HOOK-ADJUSTABLE -	277
REAR HOOK-ADJUSTABLE - STANDARD	278
DRAWBAR -	279
DRAWBAR -	280
TOOL KIT -	281

<https://www.ebooklibonline.com>

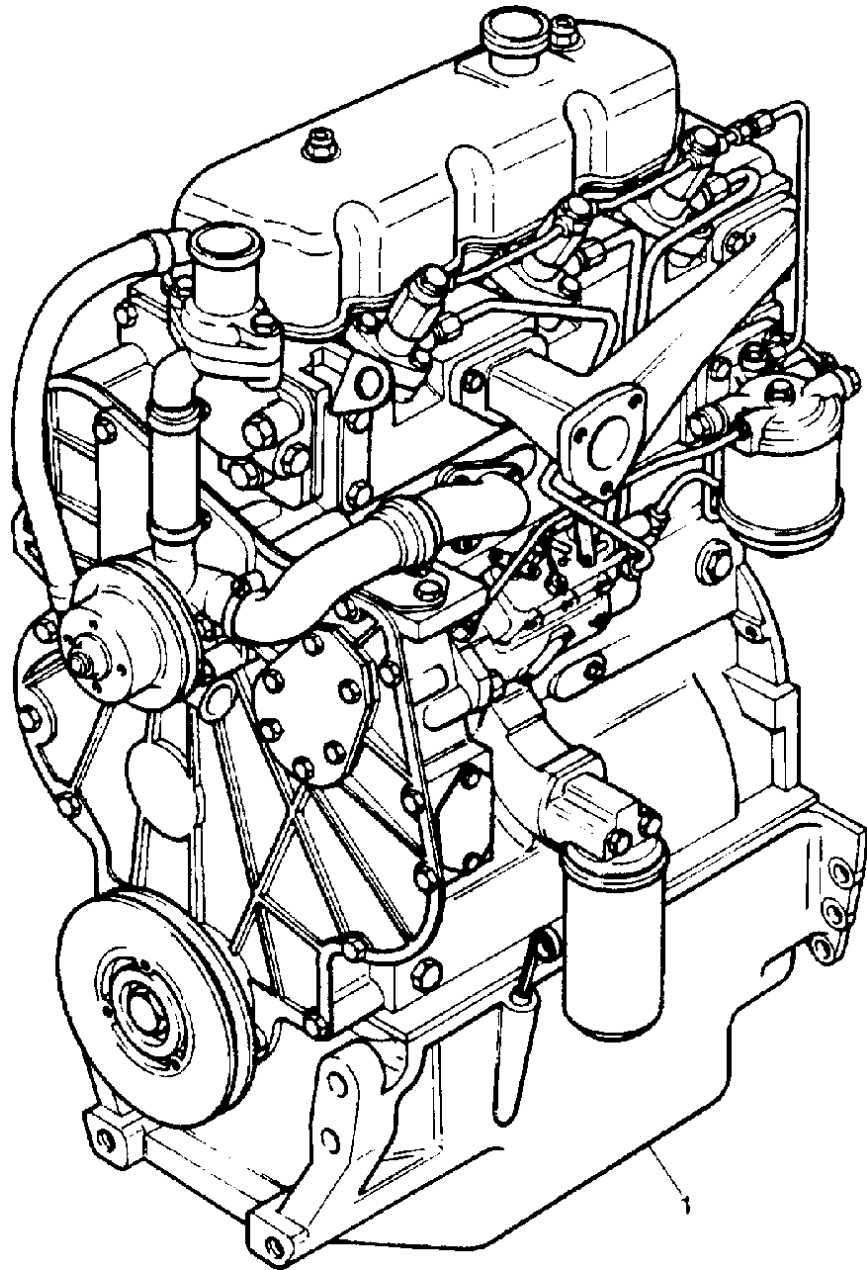
Hello dear friend!

Thank you very much for reading.

Enter the link into your browser.

The full manual is available for immediate download.

<https://www.ebooklibonline.com>



MASSEY FERGUSON

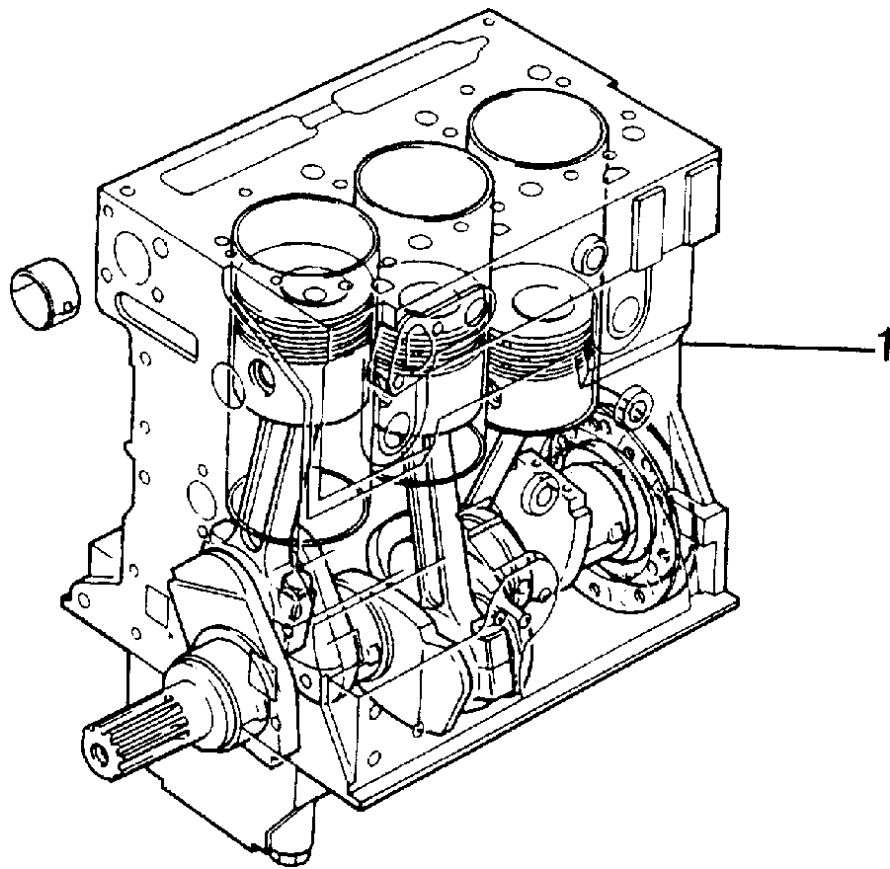
MF 354 V TRACTOR, ->| 30/06/94 - 3311567

3311567

ENGINE - AD3.152 ENGINE

1

Item	Part Number	Qty	Description	Comments
				AD3.152 ENGINE
1	CE 31223	1	Engine	(B)
	CE 31224	1	Engine	(C)
				(B)
				STD.HYDRAULIC LINES
				(C)
				SINGLE HYDRAULIC LINES



MASSEY FERGUSON

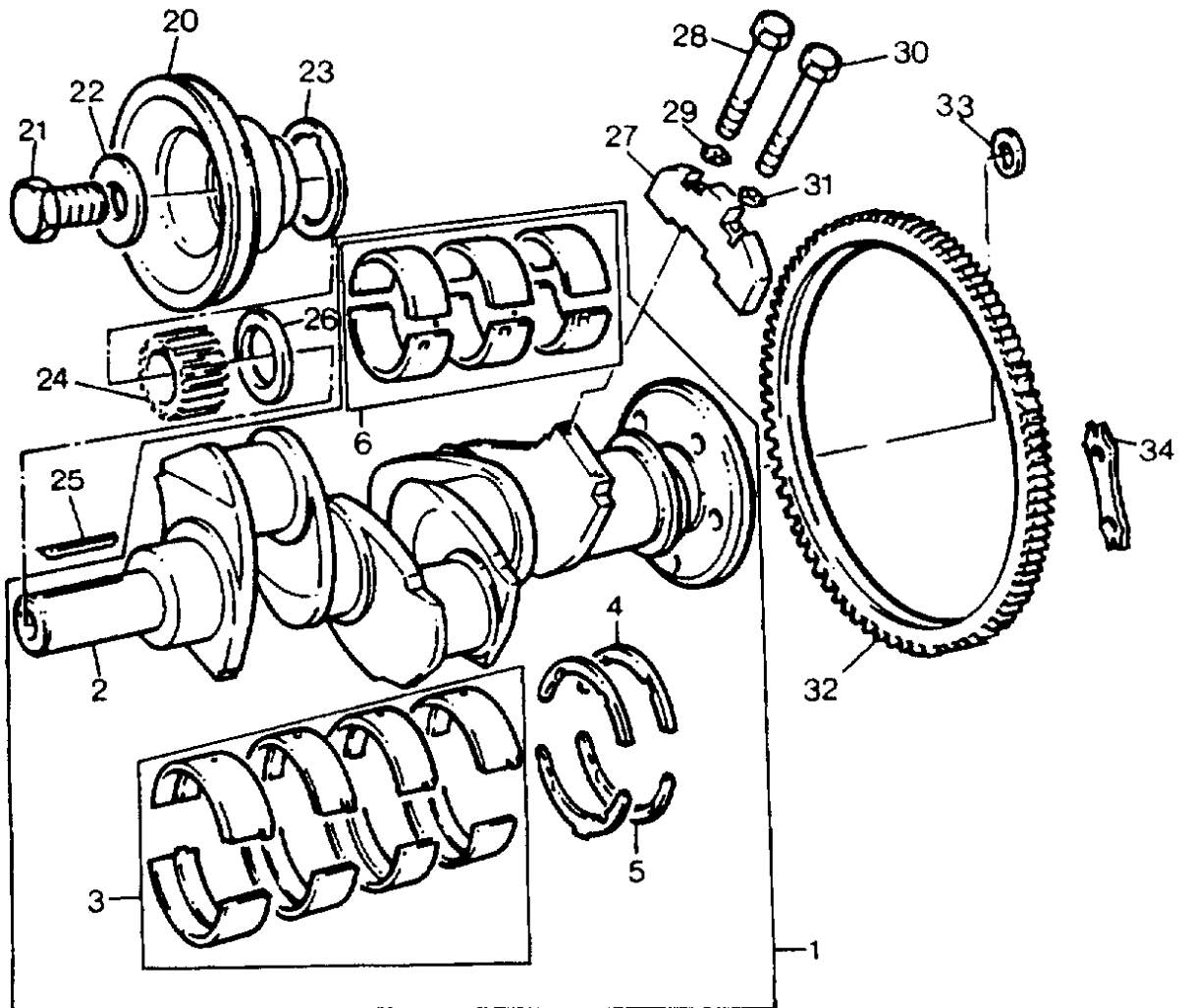
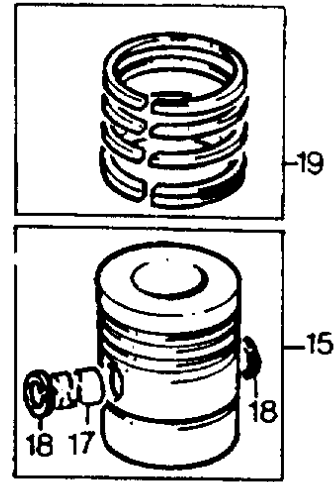
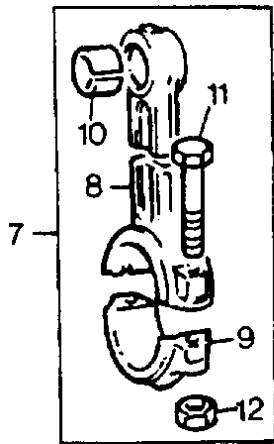
MF 354 V TRACTOR, ->| 30/06/94 - 3311567

3311567

SHORT ENGINE- . - TABLE PK ACEC9106- .

2

Item	Part Number	Qty	Description	Comments
				TABLE PK ACEC9106- .
1	CE39124	1	Engine	(A) Repairs and replaces 39116
2		1	Cylinder Block	(1) (B)
2		3	Liner	(1)
		1	Crankshaft	(1)
		2	Weight	(1)
		1	Bearing	(1)
		3	Piston	(1)
		3	Segment	(1)
		3	Conrod	(1)
		1	Bearing	(1)
		4	Washer	(1)
		1		(1)
		1	Housing	(1)
				(A) LIP SEAL
				(B) COMPLETE WITH PLUGS



Item	Part Number	Qty	Description	Comments
				AD3.152 ENGINE
1	ZZ 90078	1	Crankshaft	Repairs and replaces ZZ90122 Repairs and replaces U5BG0027 Repairs and replaces ZZ90019
2		1		(1) Not serviced, order REF.1
3	68084	1	Bearing	(1) (A)
3	68084A	X	Kit	(A) Thickness (-)0.25MM Thickness (-)0.010
3	68084B	X	Kit	(A) Repairs and replaces B(-)0.50MM
3	68084C	X	Kit	Repairs and replaces (-)0.020 (A) Thickness (-)0.75MM Thickness (-)0.030
4	31137211	2	Washer	(1)
	31137212	X	Washer	Thickness (+)0.19MM Thickness (+)0.0075
5	31137221	2	Washer	(1)
	31137222	X	Washer	Thickness (+)0.19MM Thickness (+)0.0075
6	85036	1	Bearing	(1) (A)
6	85036A	X	Bearing	(A) Thickness (-)0.25MM Thickness (-)0.010
6	85036B	X	Bearing	(A) Thickness (-)0.50MM Thickness (-)0.020
6	85036C	X	Bearing	(A) Thickness (-)0.75MM Thickness (-)0.030
7	ZZ 90010	1	Conrod	
8		1		(7) Not serviced, order REF.7
9		1		(7) Not serviced, order REF.7
10	31134151	1	Thimble	(7)
11	0095250	2	Screw	(7)
12	33221327	2	Nut	(7)
15	68331	1	Piston	(B)
	68332	1	Piston	(C)
17		1	Pin	Not serviced, order REF.N.15
18	0170001	2	Ring	(15)
19	41158057	3	Kit	
20	31147788	1	Pulley	
21	32162312	1	Screw	
22	33125112	1	Washer	
23	33176137	1	Spacer	
24	0410132	1	Gear	(D,F) Number of teeth/spines 25T
24	31163411	1	Gear	(E,G) Not serviced, order 25T
25	36271704	1	Key	
26	0330811	1	Shim	
27	31328241	2	Weight	
28	2185189	2	Screw	
29	31731515	2	Plate	Right Hand
30	2185189	2	Screw	
31	31731516	2	Plate	Left Hand
32	3552228M1	1	Crownwheel	

MASSEY FERGUSON

MF 354 V TRACTOR, ->| 30/06/94 - 3311567

3311567

CRANKSHAFT, PISTONS AND CONNECTING RODS - AD3.152 ENGINE

6

Item	Part Number	Qty	Description	Comments
33	33117127	6	Washer	
34	0921062	3	Plate	

(A)
PRE-FINISHED

(B)
UNTOPPED

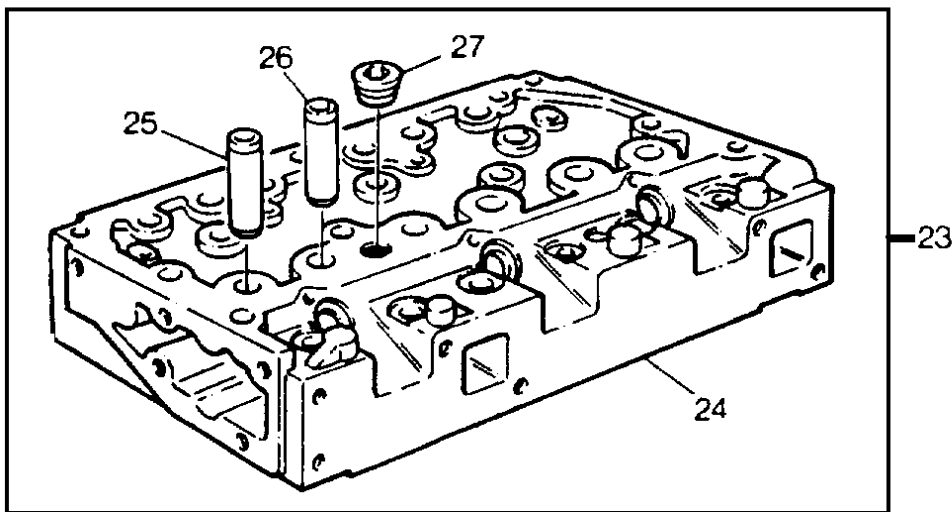
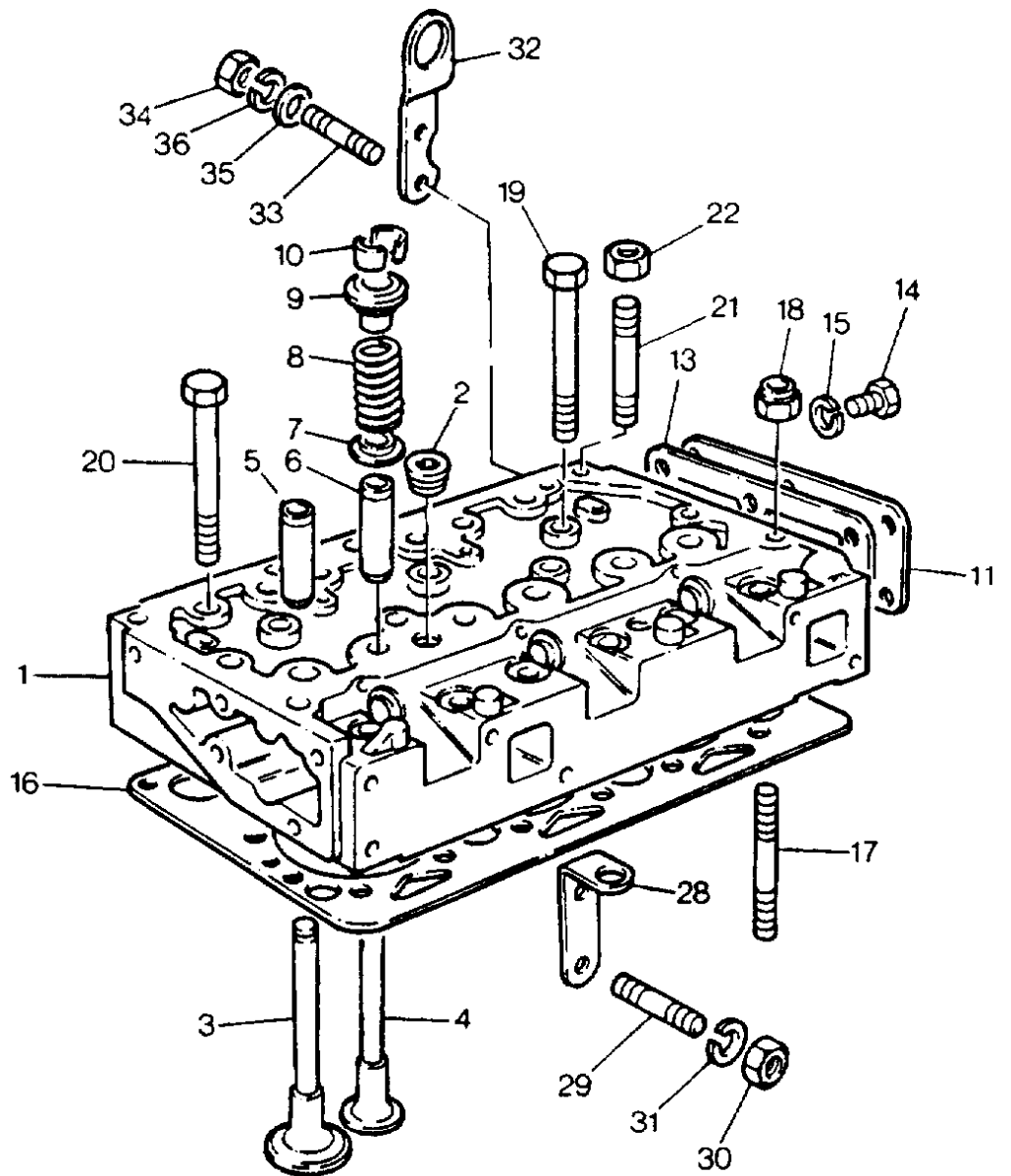
(C)
PRE-TOPPED

(D)
FOR ENGINES BUILT TO BUILD LIST CE312230(3553133M9 1).

(E)
FOR ENGINES BUILT TO BUILD LIST CE31224 (3553129M9 1).

(F)
STD.HYDRAULIC LINES

(G)
SINGLE HYDRAULIC LINES



MASSEY FERGUSON

MF 354 V TRACTOR, ->| 30/06/94 - 3311567

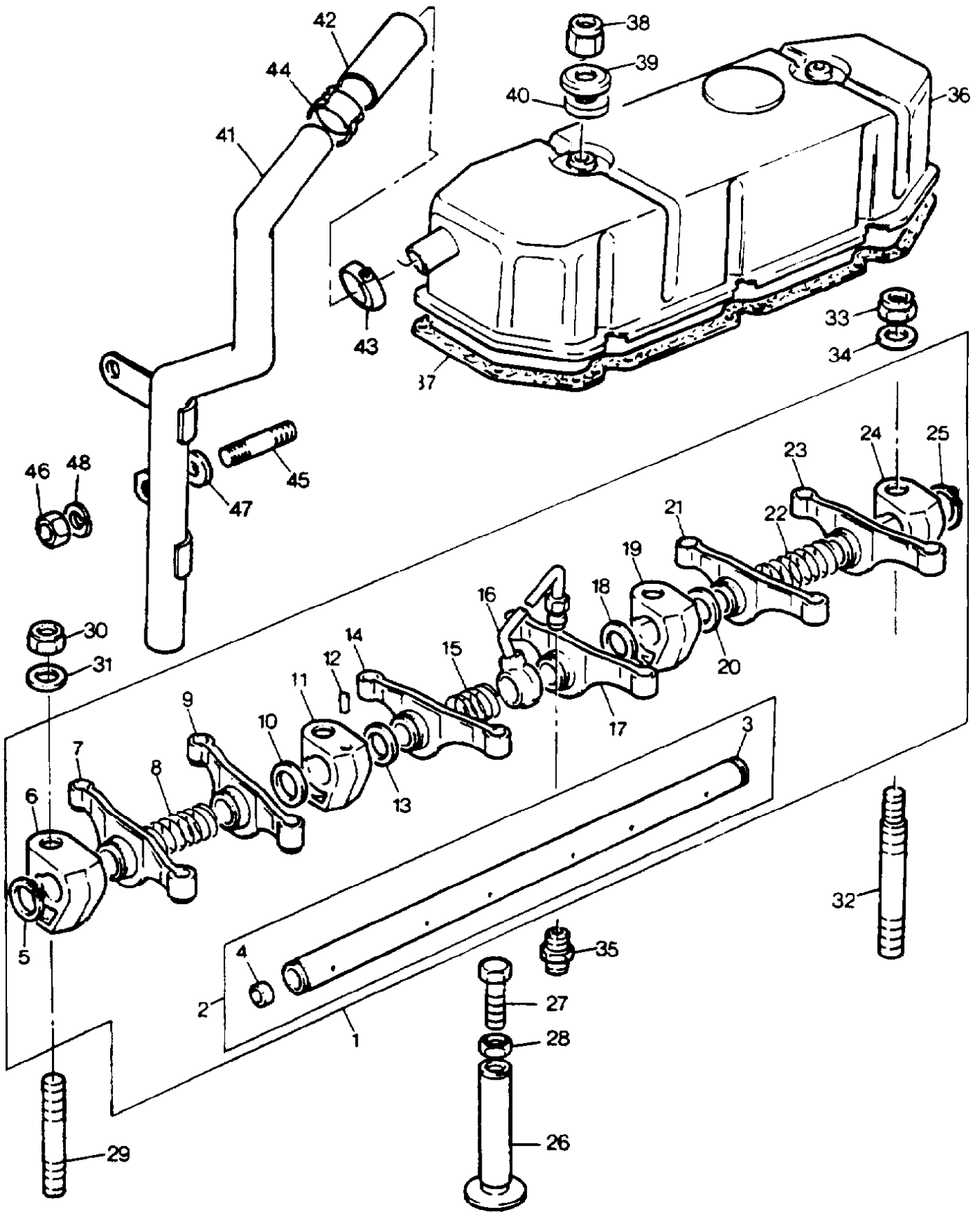
3311567

CYLINDER HEAD - AD3.152 ENGINE

9

Item	Part Number	Qty	Description	Comments
				AD3.152 ENGINE
1	ZZ 80082	1	Cylinder Head	Repairs and replaces ZZ80025
2	2431154	1	Plug	(1)
3	31431681	3	Valve	(1)
4	3142A081	3	Valve	(1)
				Repairs and replaces 31431011
5	33261723	3	Guide	(1)
6	33261723	3	Guide	(1)
7	33415133	6		(1)
8	0780006	6	Spring	(1)
9	33423148	6	Cap	(1)
10	0230001	12	Spring	(1)
				(A)
				Repairs and replaces 33173115
11	3612M002	1	Cover	
13	0490485	1		
14	0746254	6	Screw	
15	0920053	6	Washer	
16	3681E006	1		
17	32524132	2	Stud	
18	33221329	2	Nut	
19	32181457	4	Screw	
20	32181458	9	Screw	
21	32524148	3	Stud	
22	33221329	3	Nut	
23	ZZ 80017	X	Cylinder Head	(1)
				MINOR ASSY.
24		1		(23)
				Not serviced, order REF.23
25	33261723	3	Guide	(23)
26	33261723	3	Guide	(23)
27	2431154	1	Plug	(23)
28	36531408	1	Stirrup	
29	0826462	2	Stud	
30	0576051	2	Nut	
31	0920054	2	Lock Washer	
32	36456321	1	Plate	
33	2216194	2	Screw	
34	0576051	2	Nut	
35	0920004	2	Washer	
36	0920054	2	Lock Washer	

(A)
SERVICED IN PAIRS



ROCKER SHAFT - AD3.152 ENGINE

Item	Part Number	Qty	Description	Comments
				AD3.152 ENGINE
1	4115R805	1	Shaft	Repairs and replaces 4115R803
2	ZZ 90047	1	Shaft	Repairs and replaces 41151306 (1)
3		1		Repairs and replaces U7LR0002 (2) Not serviced, order REF.2
4	0650507	2	Plug	(2)
5	0170033	2	Ring	(1)
6	0101138	1	Support	(1)
7	3737A091	1	Lever	(1) Right Hand Repairs and replaces 3737A081 Repairs and replaces 3737A041
8	0780005	1	Spring	(1)
9	3737A091	1	Lever	(1) Right Hand Repairs and replaces 3737A081 Repairs and replaces 3737A041
10	0330505	1	Shim	(1)
11	37521212	1	Support	(1)
12	2112A066	1	Pin	(1)
13	0330505	1	Shim	(1)
14	3737A101	1	Lever	(1) Left Hand Repairs and replaces 3737A071 Repairs and replaces 3737A031
15	0780175	1	Spring	(1)
16	35568352	1	Pipe	(1)
17	3737A091	1	Lever	(1) Right Hand Repairs and replaces 3737A081 Repairs and replaces 3737A041
18	0330505	1	Shim	(1)
19	0101138	1	Support	(1)
20	0330505	1	Shim	(1)
21	3737A101	1	Lever	(1) Left Hand Repairs and replaces 3737A071 Repairs and replaces 3737A031
22	0780005	1	Spring	(1)
23	3737A101	1	Lever	(1) Left Hand Repairs and replaces 3737A071 Repairs and replaces 3737A031
24	0101138	1	Support	(1)
25	0170033	1	Ring	(1)
26	0860012	6	Tappet	
27	32151116	6	Screw	Repairs and replaces 0720677
28	0576052	6	Nut	
29	2214209	2	Stud	
30	2211283	2	Nut	
31	0920004	2	Washer	
32	32754435	2	Stud	
33	2211283	2	Nut	
34	0920004	2	Washer	
35	0206002	1	Union	
36	37188557	1	Cover	
37	36811115	1		
38	0576102	2	Nut	
39	3314P004	2	Washer	
40	3381A003	2	O Ring	
41	35732479	1	Chute	
42	0202058	1	Sleeve	
43	21825195	1	Clamp	Repairs and replaces 2481863
44	21825195	1	Clamp	Repairs and replaces 2481863
45	2217602	1	Screw	Repairs and replaces 0827622

MASSEY FERGUSON

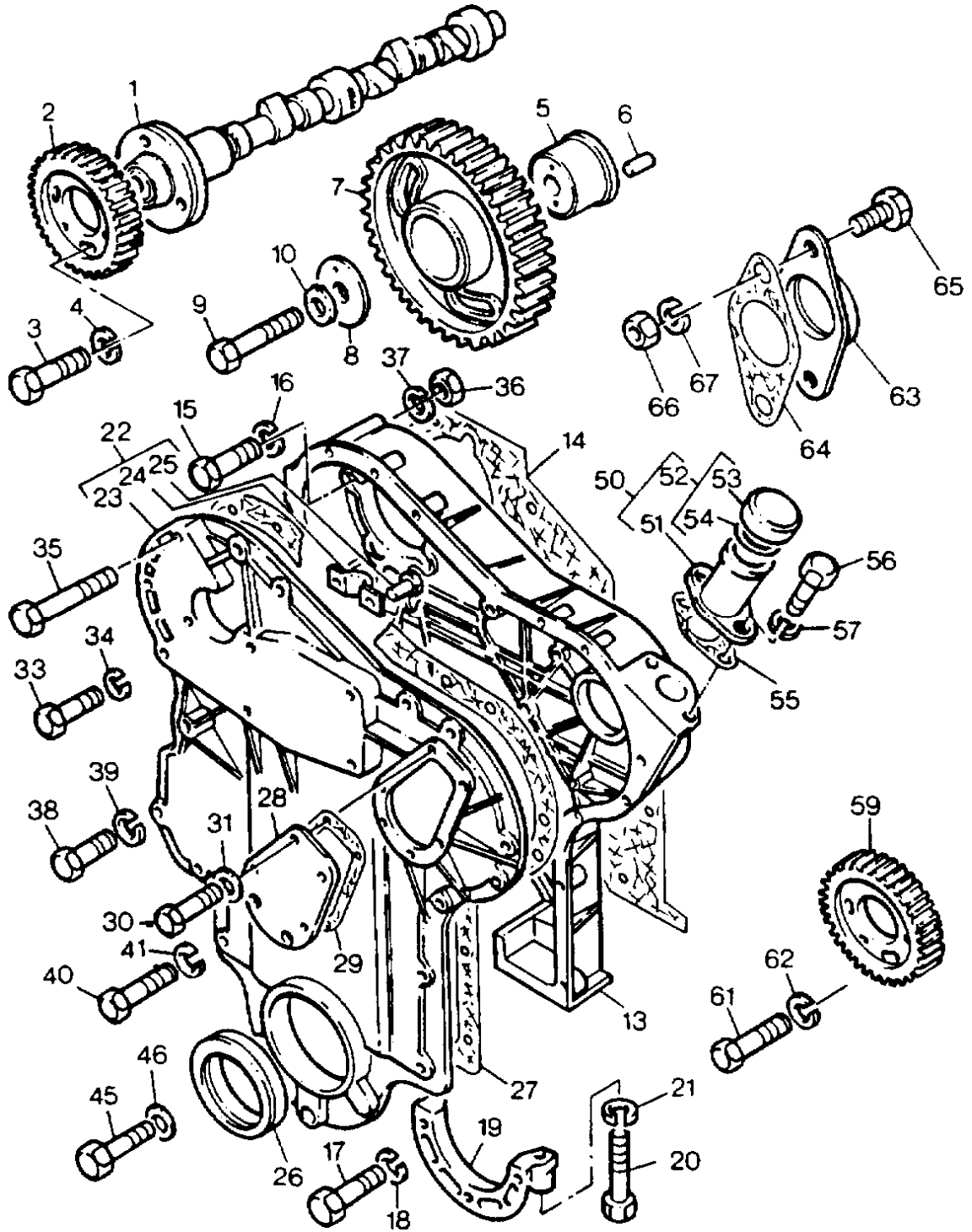
MF 354 V TRACTOR, ->| 30/06/94 - 3311567

3311567

ROCKER SHAFT - AD3.152 ENGINE

11

Item	Part Number	Qty	Description	Comments
46	0576002	1	Nut	
47	0920460	1	Washer	
48	0920053	1	Washer	



MASSEY FERGUSON

MF 354 V TRACTOR, ->| 30/06/94 - 3311567

3311567

TIMING GEAR AND CAMSHAFT - AD3.152 ENGINE

13

Item	Part Number	Qty	Description	Comments
AD3.152 ENGINE				
1	31415261	1	Shaft	
2	0410241	1	Gear	(A,C) Number of teeth/spines 50
2	31164131	1	Gear	(B,D) Number of teeth/spines 50
3	0746214	3	Screw	
4	0920053	3	Washer	
5	0995447	1	Hub	
6	0350005	1	Dowel	
7	31164362	1	Gear	(A,C) Number of teeth/spines 90
7	4111A015	1	Gear	(B,D) Number of teeth/spines 90
8	0940738	1		
9	0095199	1	Screw	
10	0920883	1	Washer	
13	37161481	1	Housing	
14	36814113	1		Repairs and replaces 36814119
15	0746355	12	Screw	
16	0920053	12	Washer	
17	0096234	2	Screw	
18	0920053	2	Washer	
19	37354312	1	Cover	
20	0096232	2	Screw	
21	0920053	2	Washer	
22	ZZ 90039	1	Cover	Repairs and replaces A5FH0245
23		1		(22) Not serviced, order REF.22
24	3661P002	1	Spring	(22)
25	2126151	1	Rivet	(22)
26	2415344	1		(22)
27	36813136	1		
28	3623H005	1	Plate	
29	36862512	1		
30	2227117	6	Screw	
31	2411151	6	Washer	
33	0748414	2	Screw	
34	0920053	2	Washer	
35	0096240	1	Screw	
36	0576002	1	Nut	
37	0920053	1	Washer	
38	0748353	8	Screw	
39	0920052	8	Washer	
40	2233207	3	Screw	
41	0920053	3	Washer	
45	0748354	1	Screw	
46	0920052	1	Washer	
50	35784123	1	Plug	
51		1		(50) Not serviced, order REF.50
52	2487854	1	Plug	(50)
53		1		(52) Not serviced, order REF.52
54	24870001	1		(52)
55	36837413	1		
56	2183204	2	Screw	

MASSEY FERGUSON

MF 354 V TRACTOR, ->| 30/06/94 - 3311567

3311567

TIMING GEAR AND CAMSHAFT - AD3.152 ENGINE

13

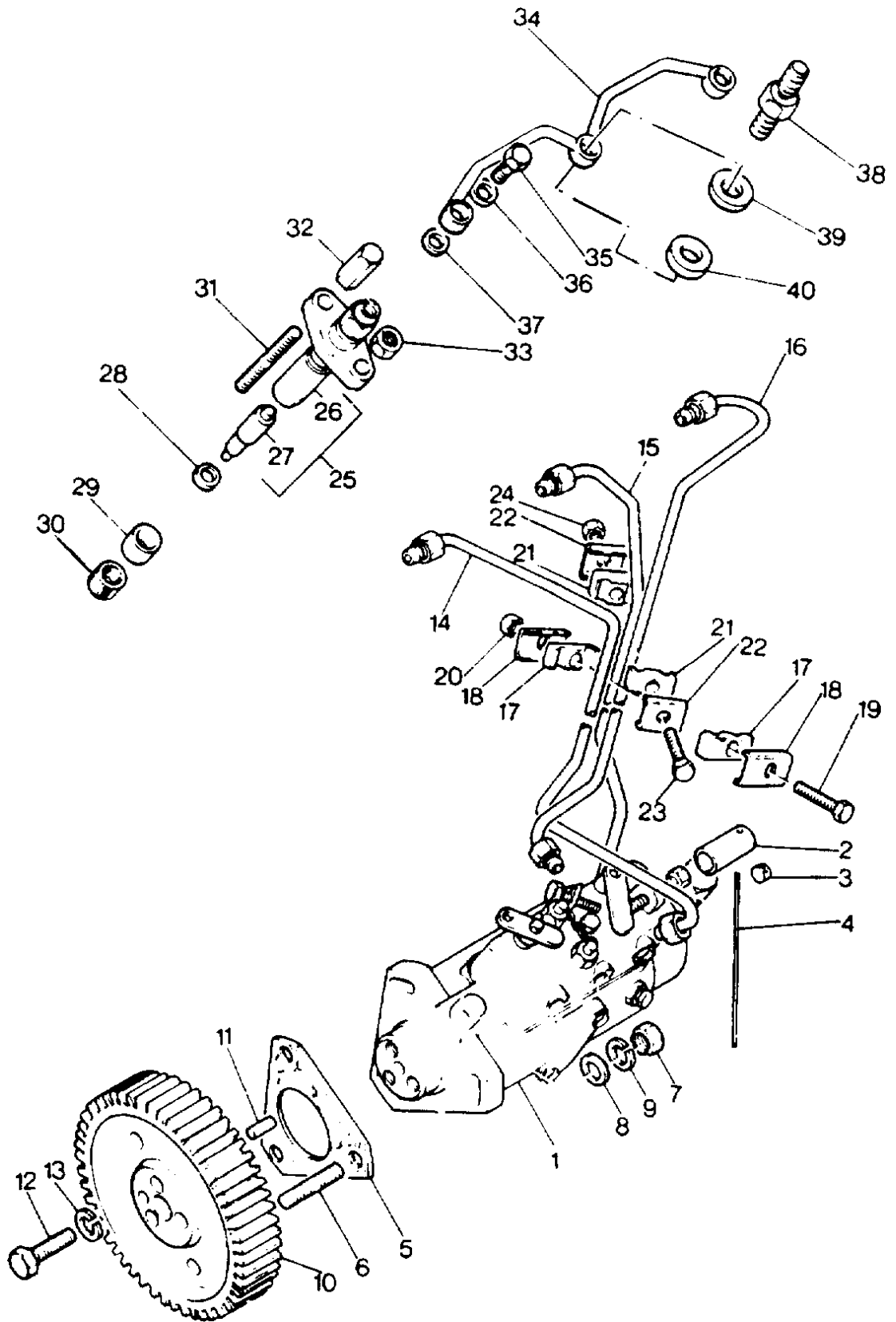
Item	Part Number	Qty	Description	Comments
57	0920053	2	Washer	
59		1		0587C18M
61		3		0587C18M
62		3		0587C18M
63	37461104	1	Cover	
64	36835413	1		
65	0748510	2	Screw	
66	2238153	2	Nut	
67	0920054	2	Lock Washer	

(A)
FOR ENGINES BUILT TO BUILD LIST CE312230(3553133M9 1).

(B)
FOR ENGINES BUILT TO BUILD LIST CE31224 (3553129M9 1).

(C)
STD.HYDRAULIC LINES

(D)
SINGLE HYDRAULIC LINES



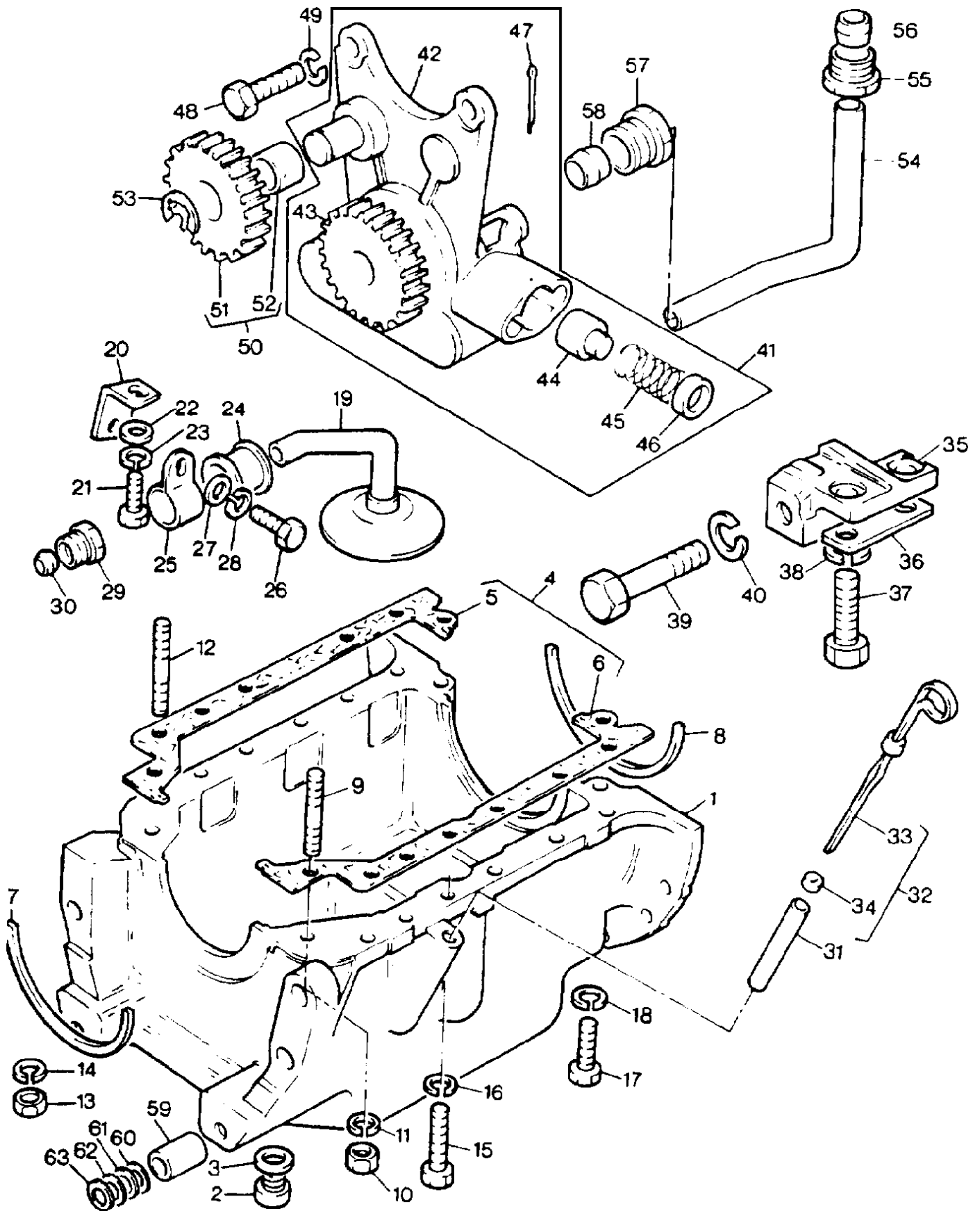
Item	Part Number	Qty	Description	Comments
				AD3.152 ENGINE
1	36963	1	Pump	
2	2644951	1	Sleeve	
3	31718104	1	Sealer	
4	31718105	1	Wire	
5	0490685	1		
6	2217575	3	Screw	Repairs and replaces 0827619
7	0576002	3	Nut	
8	0920003	3	Washer	
9	0920053	3	Washer	
10	31164631	1	Gear	(A,C) Number of teeth/spines 50
10	3116K083	1	Gear	(B,D) Number of teeth/spines 50
11	0350010	1	Dowel	
12	0746214	3	Screw	
13	0920053	3	Washer	
14	35342004	1	Pipe	NO.1 CYL.
15	35342005	1	Pipe	NO.2 CYL.
16	35342006	1	Pipe	NO.3 CYL.
17	36844116	2	Block	
18	36511123	2	Plate	
19	2182008	1	Screw	
20	2211401	1	Nut	
21	36844116	2	Block	
22	36511123	2	Plate	
23	2182008	1	Screw	
24	2211401	1	Nut	
25	2645680	3	Nozzle	
26	2646466	1	Support	(25)
27	2646848	1	Splasher	(25)
28	0921173	3	Washer	
29	33813126	3	Spacer	
30	33813127	3	Ring	
31	2216105	6	Stud	
32	32726512	3	Nut	
33	0576002	3	Nut	
34	3558X013	1	Pipe	
35	0095315	2	Filler	
36	0921176	2	Washer	
37	0921176	2	Washer	
38	0201526	1	Union	
39	0921176	1	Washer	
40	0921176	1	Washer	

(A)
FOR ENGINES BUILT TO BUILD LIST CE312230(3553133M9 1).

(B)
FOR ENGINES BUILT TO BUILD LIST CE31224 (3553129M9 1).

(C)
STD.HYDRAULIC LINES

(D)
SINGLE HYDRAULIC LINES



MASSEY FERGUSON

MF 354 V TRACTOR, ->| 30/06/94 - 3311567

3311567

LUBRICATING OIL SUMP - AD3.152 ENGINE

18

Item	Part Number	Qty	Description	Comments
				AD3.152 ENGINE
1	37172481	1	Sump	
2	32186405	1	Plug	
3	2415715	1	Ring	
4	41424209	1		
5		1		(4) Not serviced, order REF.4
6		1		(4) Not serviced, order REF.4
7	3688V003	1		
8	3688V002	1		
9	0826265	2	Stud	
10	0576002	2	Nut	
11	0920053	2	Washer	
12	0826285	1	Stud	
13	0576002	1	Nut	
14	0920053	1	Washer	
15	0746211	11	Screw	
16	0920053	11	Washer	
17	0096245	2	Screw	
18	0920053	2	Washer	
19	35137611	1	Pipe	
20	38121531	1	Support	
21	0746052	1	Screw	
22	0920002	1	Washer	
23	0920052	1	Washer	
24	33817308	1	Thimble	
25	36631118	1	Clamp	
26	0746053	1	Screw	
27	0920002	1	Washer	
28	0920052	1	Washer	
29	33532121	1	Nut	
30	0560244	1	Spinner	
31	33242407	1	Pipe	
32	31786412	1	Rod	
33		1		(32) Not serviced, order REF.32
34	0920022	1	Ring	(32)
35	38156311	1	Support	
36	36113131	1	Plate	
37	2183509	2	Screw	
38	0920056	2	Lock Washer	
39	0097109	1	Screw	
40	0920058	1	Lock Washer	
41	41314187	1	Pump	
42		1		(41) Not serviced, order REF.41
43		1		(41) Not serviced, order REF.41
44	32712715	1	Piston	(41)
45	31742128	1	Spring	(41)
46	33157122	1	Ring	(41)
47	0610012	1	Linch Pin	(41)
48	0746355	3	Screw	
49	0920053	3	Washer	
50	41115086	1	Gear	Number of teeth/spines 21
51		1		(50) Not serviced, order REF.50
52	0050265	1	Thimble	(50)
53	0180831	1	Ring	
54	34711129	1	Pipe	
55	33532121	1	Nut	

MASSEY FERGUSON

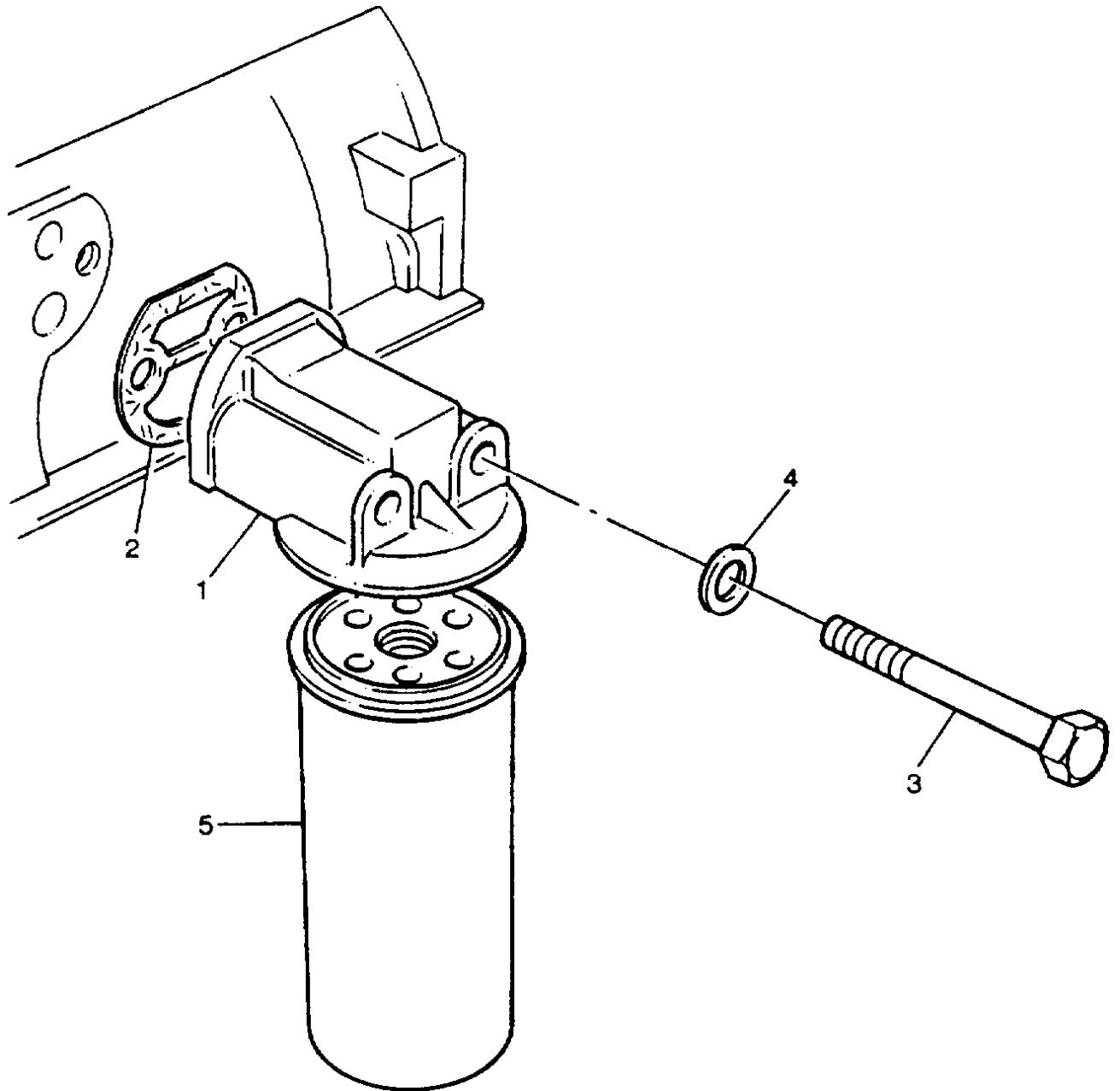
MF 354 V TRACTOR, ->| 30/06/94 - 3311567

3311567

LUBRICATING OIL SUMP - AD3.152 ENGINE

18

Item	Part Number	Qty	Description	Comments
56	0560244	1	Spinner	
57	33532121	1	Nut	
58	0560244	1	Spinner	
59	33266125	1	Spacer	
60	0760050	1	Shim	
61	33121417	2	Shim	
62	33121416	3	Shim	
63	33121415	4	Shim	



MASSEY FERGUSON

MF 354 V TRACTOR, ->| 30/06/94 - 3311567

3311567

LUBRICATING OIL FILTER AND INTEGRAL COOLER - AD3.152 ENGINE

21

Item	Part Number	Qty	Description	Comments
------	-------------	-----	-------------	----------

1	37764251	1	Head	
2	0490514	1		
3	0096443	2	Screw	
4	33115129	2	Washer	
5	1447082M91	1	Filter	



Suggest:

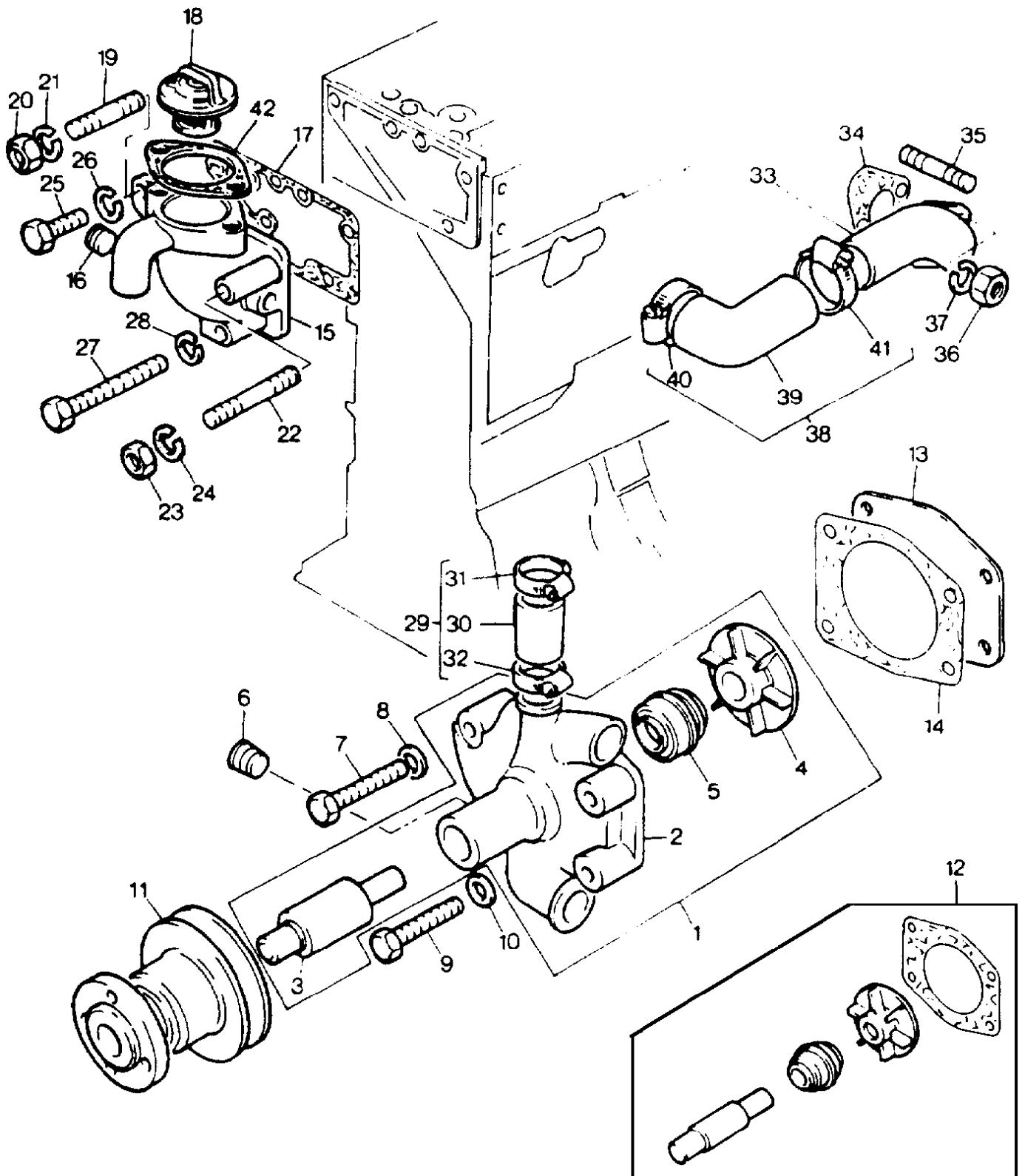
If the above button click is invalid.

Please download this document

first, and then click the above link

to download the complete manual.

Thank you so much for reading



<https://www.ebooklibonline.com>

Hello dear friend!

Thank you very much for reading.

Enter the link into your browser.

The full manual is available for immediate download.

<https://www.ebooklibonline.com>