

Page Title	Page Number
ENGINE ASSEMBLY-AD3.152 ENGINE	1
SHORT ENGINE-TABLE PK ACEC9106	2
CYLINDER BLOCK-AD3.152 ENGINE	3
CRANKSHAFT, PISTONS AND CONNECTING RODS-AD3.152 ENGINE	4
CYLINDER HEAD-AD3.152 ENGINE	5
ROCKER SHAFT-AD3.152 ENGINE	6
TIMING GEAR AND CAMSHAFT-AD3.152 ENGINE	7
FUEL INJECTION EQUIPMENT-AD3.152 ENGINE	8
LUBRICATING OIL SUMP-AD3.152 ENGINE	9
LUBRICATING OIL FILTER AND INTEGRAL COOLER-AD3.152 ENGINE	10
WATER PUMP, THERMOSTAT AND HEAT EXCHANGER-AD3.152 ENGINE	11
FUEL SYSTEM AND FILTER-AD3.152 ENGINE	12
AIR INDUCTION AND EXHAUST SYSTEM	13
ALTERNATOR POSITIONER-AD3.152 ENGINE	14
JOINTS AND GASKETS-AD3.152 ENGINE	15
HEATER KIT-COLD CLIMATE	16
ALTERNATOR	17
ALTERNATOR-VALEO TYPE	18
ALTERNATOR-ISKRA TYPE	19
STARTER MOTOR-MARELLI TYPE	20
STARTER MOTOR-BOSCH	21
STARTER MOTOR-ISKRA TYPE	22
COOLING SYSTEM-FAN AND HOSES	23
COOLING SYSTEM-RADIATOR AND BRACKET	24
FUEL SYSTEM	25
FUEL TANK	26
DRY AIR FILTER-DRY AIR CLEANER	27
EXHAUST SYSTEM	28
EXHAUST SYSTEM	29
HAND AND FOOT THROTTLE CONTROLS	30
BATTERY	31
INSTRUMENT PANEL	32
INSTRUMENT PANEL	33
ELECTRICAL WIRING-FRONT	34
ELECTRICAL WIRING-REAR	35
LIGHTING EQUIPMENT	36
LIGHTING EQUIPMENT	37
LIGHTING EQUIPMENT	38
CLUTCH-O.M.G. - 11	39
CLUTCH-LUK - 11	40
CLUTCH PEDAL AND LINKAGE	41
LOWER CLUTCH P.T.O.	42
CENTRE AXLE HOUSING AND TRANSMISSION HOUSING	43
CENTRE AXLE HOUSING AND TRANSMISSION HOUSING	44
TRANSMISSION	45
TRANSMISSION	46
SHIFT LEVERS	47
GEAR BOX	48
REDUCER OPTION-FOR SHUTTLE VERSION ONLY.	49
GEAR BOX-FOR SHUTTLE VERSION ONLY.	50
GEAR BOX-FOR SPECIAL OPTIONS VERSION ONLY	51
REDUCER OPTION-OVERDRIVE AND SHUTTLE VERSION	52
REDUCER OPTION-OVERDRIVE AND UNDERDRIVE VERSION	53
REDUCER OPTION-OVERDRIVE AND CREEPER VERSION	54
REDUCER OPTION-UNDERDRIVE AND SHUTTLE VERSION	55
REDUCER OPTION-UNDERDRIVE E CREEPER VERSION	56
REDUCER OPTION-SHUTTLE AND CREEPER VERSION	57
PTO SHAFT-STANDARD TYPE	58
PTO-CONTROL-540 R.P.M. STD	59
PTO SHAFT-540/750/1000 R.P.M.	60
PTO-CONTROL-540/750/1000 R.P.M.	61
TRANSFER GEAR BOX AND DRIVE SHAFT:	62
4 WHEEL DRIVE CONTROLS	63
REAR AXLE	64
REAR AXLE	65
REAR AXLE DIFFERENTIAL LOCK MECHANISM	66

TABLE OF CONTENT

DIFFERENTIAL LOCK CONTROLS	67
DIFFERENTIAL LOCK CONTROLS	68
BRAKE AND CONTROLS	69
BRAKE AND CONTROLS-DEVICE	70
BRAKE AND CONTROLS-PIPINGS	71
BRAKE AND CONTROLS-PIPINGS FRONT	72
BRAKES	73
MASTER CYLINDER-BRAKE PUMP	74
BRAKE CYLINDER	75
REAR WHEELS	76
FRONT WHEELS	77
FRONT AXLE 2 WHEEL DRIVE	78
FRONT AXLE 4 WHEEL DRIVE	79
FRONT AXLE 4 WHEEL DRIVE	80
FRONT AXLE 4 WHEEL DRIVE	81
STEERING HYDRAULIC LINES	82
STEERING HYDRAULIC LINES	83
STEERING HYDRAULIC LINES	84
STEERING ORBITROL UNIT-2 WHEEL DRIVE	85
STEERING ORBITROL UNIT-4 WHEELS DRIVE	86
STEERING-PUMP-TUROLLA	87
STEERING-PUMP-BOSCH	88
STEERING CYLINDER	89
STEERING CYLINDER	90
HYDRAULIC EQUIPMENT-HYDRAULIC LINES STD.	91
HYDRAULIC EQUIPMENT-SINGLE HYDRAULIC LINES	92
HYDRAULIC EQUIPMENT-SINGLE HYDRAULIC LINES	93
HYDRAULIC PUMP-TUROLLA	94
HYDRAULIC PUMP-BOSCH	95
HYDRAULIC PUMP-CESSNA	96
HYDRAULIC LIFT VALVE-WITH MECHANICS RISER	97
HYDRAULIC LIFT-WITH MECHANICS RISER	98
HYDRAULIC LIFT-WITH MECHANICS RISER	99
HYDRAULIC LIFT-WITH ELECTRONIC LIFT	100
HYDRAULIC LIFT-WITH ELECTRONIC LIFT	101
ELECTRICAL WIRING-WITH ELECTRONIC LIFT	102
HYDRAULIC LIFT VALVE-WITH ELECTRONIC LIFT	103
ELECTRICAL WIRING-CONTROL PANEL	104
ELECTRONIC LIFT	105
MECHANICAL CONTROL LIFT	106
MECHANICAL CONTROL LIFT	107
MECHANICAL CONTROL LIFT	108
AUXILIARY HYDRAULIC VALVE LINES	109
AUXILIARY HYDRAULIC VALVE LINES	110
PLATE FOR AUXILIARY HYDRAULIC VALVE-HIDROIRMA TYPE.	111
AUXILIARY HYDRAULICS VALVE STANDARD-HYDROIRMA TYPE STANDARD	112
AUXILIARY HYDRAULICS FLOATING-HYDROIRMA TYPE FLOATING	113
AUXILIARY HYDRAULIC VALVE LINES	114
AUXILIARY HYDRAULICS-CONTROL WITH 1.0 AND 2.0 DISTRIBUTOR.	115
AUXILIARY HYDRAULIC VALVE LINES-SINGLE HYDRAULIC LINES	116
AUXILIARY HYDRAULICS VALVE-TILL TYPE STANDARD	117
AUXILIARY HYDRAULICS VALVE-TILL TYPE FLOATING	118
LINKAGE	119
LINKAGE-MECANICS LIFT CYLINDER RIGTH	120
HYDRAULIC LIFT CYLINDER-HYDRAULIC LIFT CYLINDER,WITH 1'AND 2'AUXIL.HYD	121
LINKAGE	122
SHEET METAL	123
SHEET METAL	124
SIDE COVER-SHIELD FAN	125
SHEET METAL	126
DECALS	127
DECALS	128
DECALS	129
FENDERS - FRONT	130
FENDERS AND PLATFORM	131
FENDERS AND PLATFORM	132
REAR SHEET METAL	133
SEAT	134

TABLE OF CONTENT

00

SEAT	135
SEAT	136
SAFETY FRAME	137
ROTATING LIGHT	138
WEIGHT FRAME AND WEIGHTS W	139
HITCH CONNECTIONS-WITHOUT HITCH	140
REAR HOOK	141
DRAWBAR-HEAVY DUTY	142
DRAWBAR-	143
TOOL KIT	144
SEALERS AND LIQUID GASKETS ADHESIES	145
REDUCER OPTION	146
REDUCER OPTION-SHUTTLE AND CREEPER VERSION	147
REDUCER OPTION-OVERDRIVE AND CREEPER VERSION	148
REAR HOOK	149

**<https://www.ebooklibonline.com>**

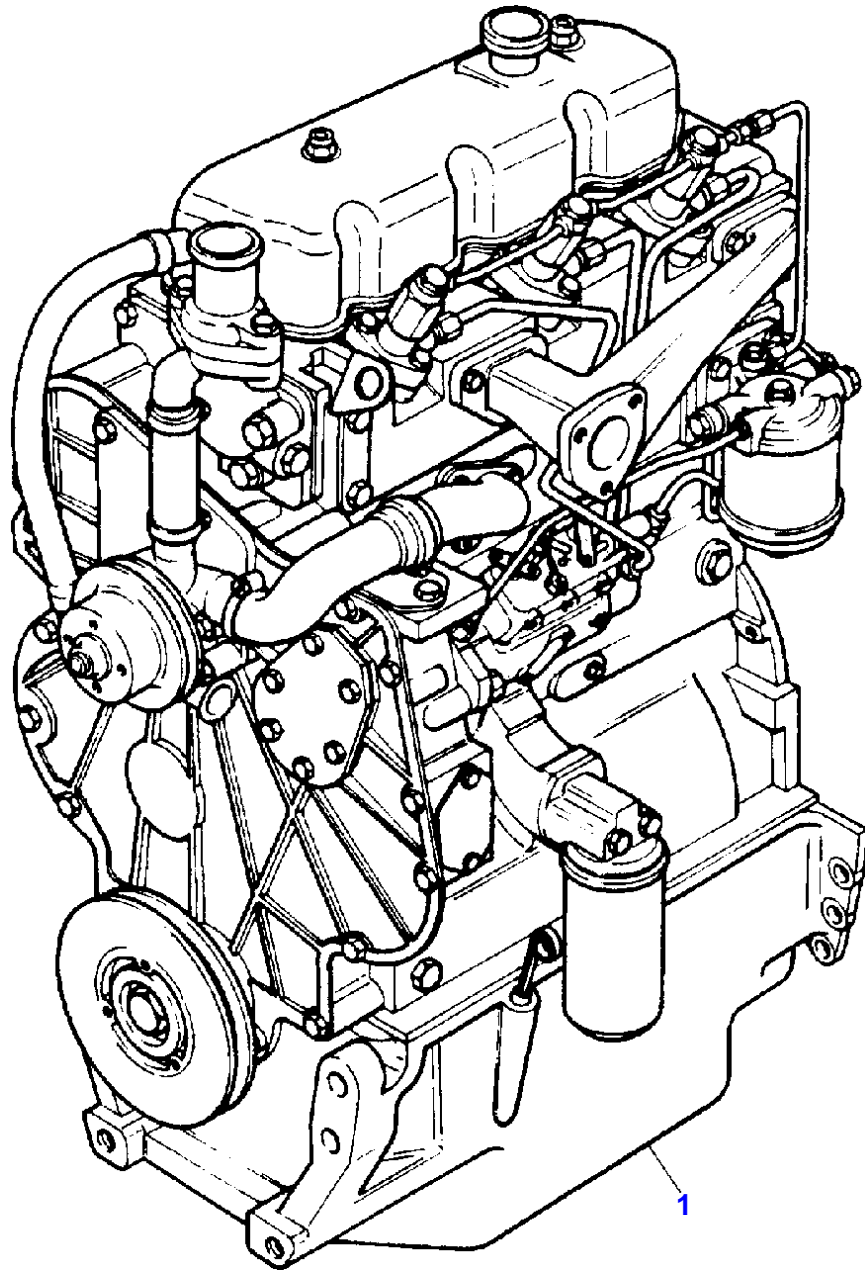
Hello dear friend!

Thank you very much for reading.

Enter the link into your browser.

The full manual is available for immediate download.

**<https://www.ebooklibonline.com>**



MASSEY FERGUSON

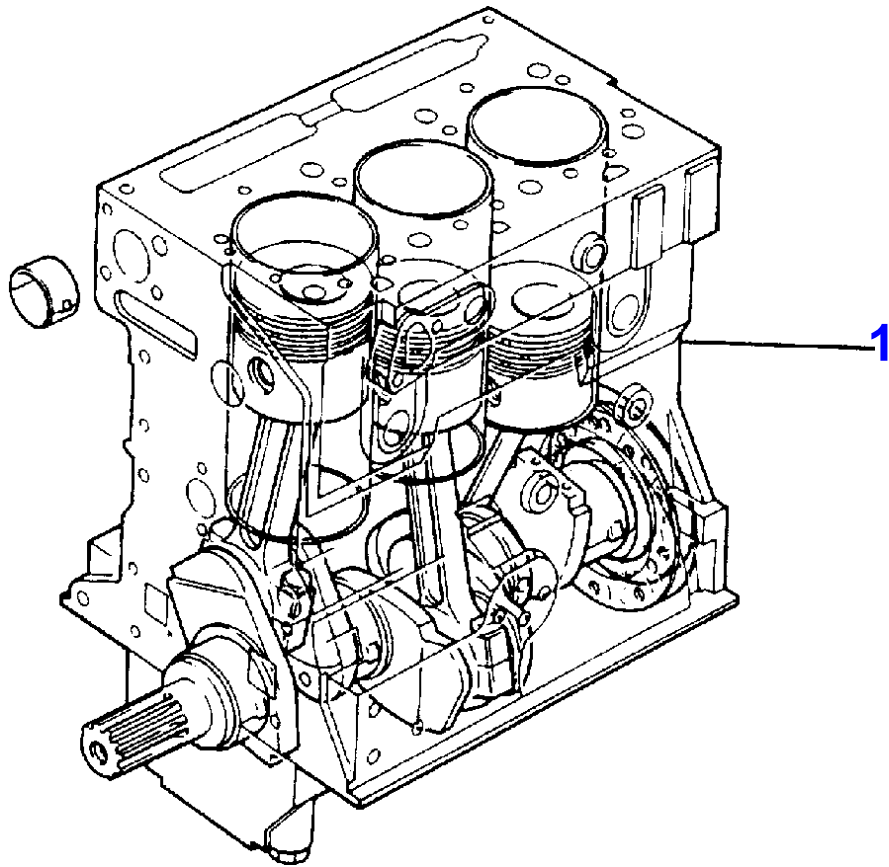
MF 354 V FOOTSTEP TRACTOR - 3540304

3540304

ENGINE ASSEMBLY-AD3.152 ENGINE

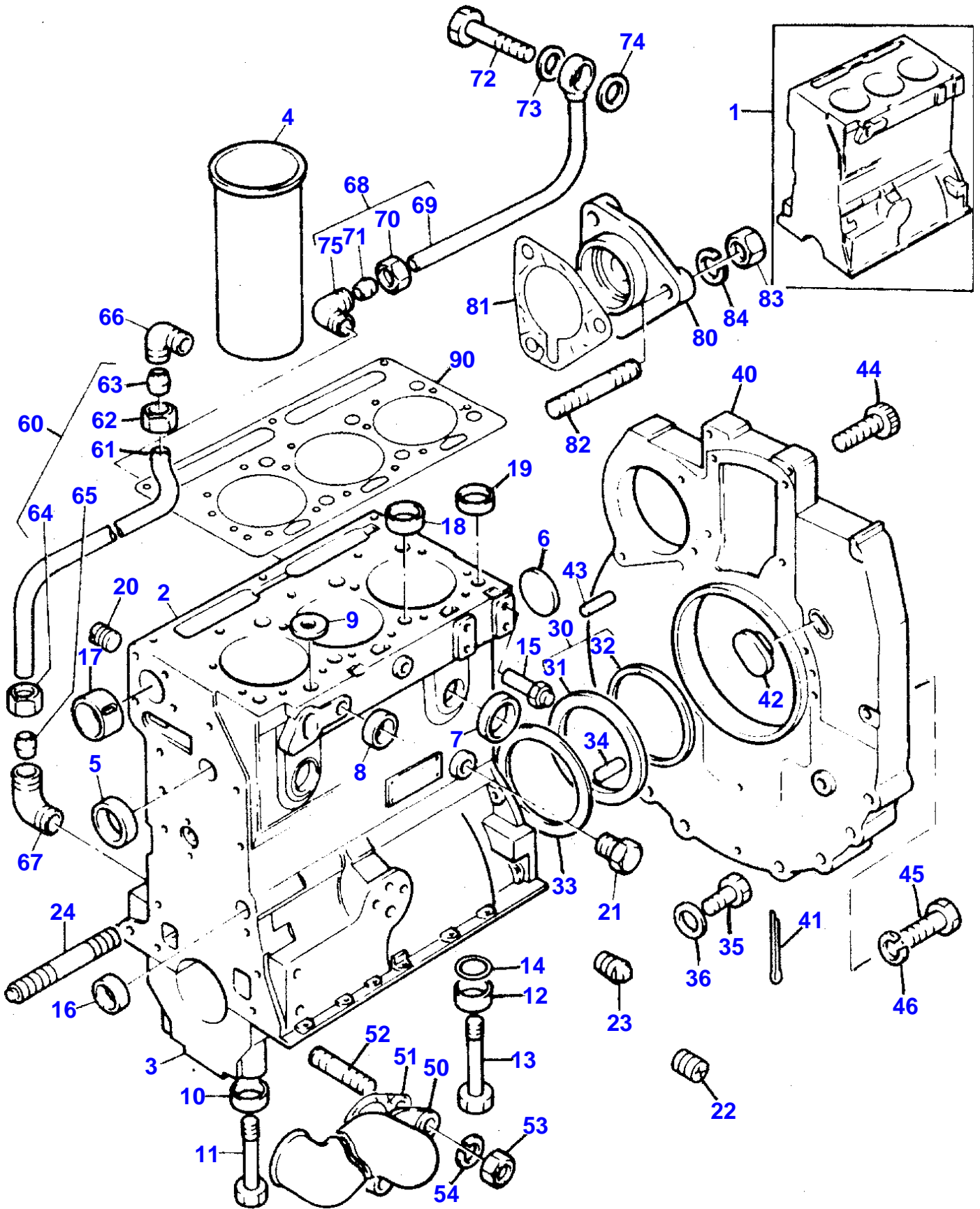
1

Item	Part Number	Qty	Description	Comments
1	3553118M91	1	Engine	[A] "CE31197"
1	3553128M91	1	Engine	[B] "CE31212"
				[A] STD.HYDRAULIC LINES
				[B] SINGLE HYDRAULIC LINES



SHORT ENGINE-TABLE PK ACEC9106

Item	Part Number	Qty	Description	Comments
1	CE39124	1	ENGINE	[A] "39116"
2		1		[B] (1)
		3		(1)
		1		(1)
		2		(1)
		1		(1)
		3		(1)
		3		(1)
		3		(1)
		1	BEARING	(1)
		4		(1)
		1		(1)
		1		(1)
				[B] COMPLETE WITH PLUGS
				[A] LIP SEAL

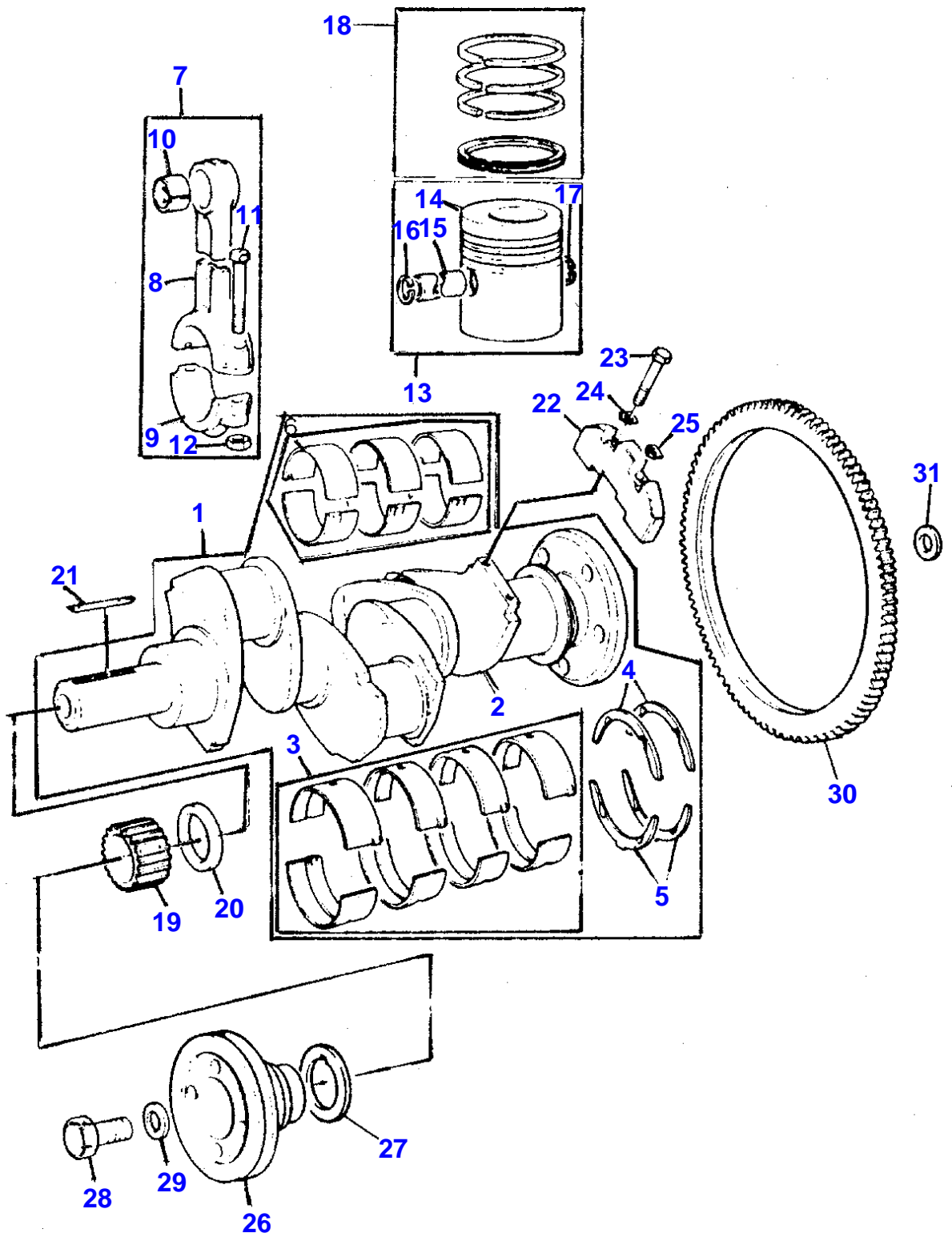


CYLINDER BLOCK-AD3.152 ENGINE

Item	Part Number	Qty	Description	Comments
1	ZZ 50206	1	BLOCK	
2	ZZ 50133	1	BLOCK	Up to Serial or Engine Number .....
		1	CYLINDER BLOCK	(1)
3		4		Not serviced, order REF.1 (1)
4	31358323	3	Liner	Not serviced, order REF.1 [A, X] (1)
4	31358345	X	Liner	. 3. 3. 6 [B]
	31358357	X	Liner	[B] Thickness (+) 0.76MM Thickness (+) 0.030
5	0650710	1	Plug	(1)
6	0650692	1	Plug	(1)
7	0650710	4	Plug	(1)
8	32417163	2	Plug	(1)
9	33141124	1	Plug	(1)
10	33137408	6	Thimble	(1)
11	32181441	6	Screw	(1)
12	33137408	2	Thimble	(1)
13	32181442	2	Screw	(1)
14	2415608	2	O Ring	(1)
15	2485A204	1	Plug	(1)
16	0650566	2	Plug	(1)
17	31134128	1	Bush	(1)
18	33157142	2	Plug	(1)
19	33157143	2	Plug	(1)
20	32114143	1	Plug	(1)
21	32161114	1	Plug	(1)
22	32114472	3	Plug	(1)
23	0650593	1	Plug	(1)
23	0650594	1	Plug	Up to Serial or Engine Number U726816K
24	32537404	1	Stud	From Serial or Engine Number U726817K
30	4142V002	1	Housing	[X] . 1. 2. 8
31		1	HOUSING	(30) Not serviced, order REF.30
32	2418F475	1	Seal	(30)
33	33826115	1	GASKET	[X] . 1. 2. 8
34	0350015	2	Dowel	[X] . 1. 2. 8
35	2183205	9	Screw	
36	390972X1	9	Washer Metric	
40	37147975	1	Plate	
41	0610045	1	Pin	
42	37813113	1	Plug	
43	0350016	2	Dowel	
44	0720798	2	Screw	
45	0746454	6	BOLT	
46	0920054	6	Washer	
50	37736243	1	UNION	[E]
51	3686J003	1	GASKET	[F]
	3686J003	1	GASKET	[G]
52	2183205	2	Screw	
53	0576002	2	Nut	
54	0920053	2	Washer	
60	35352404	1	Pipe,Oil	
61		1		(60) Not serviced, order REF.60
62	0576111	1	Nut	(60)
63	0566002	1	Olive	(60)
64	0576111	1	Nut	(60)
65	0566002	1	Olive	(60)
66	0201047	1	Connection	
67	0201047	1	Connection	
68	35568109	1	Pipe,Oil	
69		1	PIPE	(68)

CYLINDER BLOCK-AD3.152 ENGINE

Item	Part Number	Qty	Description	Comments
				Not serviced, order REF.68
70	0576111	1	Nut	(68)
71	0566002	1	Olive	(68)
72	0095350	1	Bolt	
73	2411118	1	Washer	
74	2411118	1	Washer	
75	0201047	1	Connection	
80	37556191	1	Plate	
81	36862605	1	GASKET	
82	2183205	3	Screw	(80)
83	390972X1	3	Washer Metric	
90	3681E024	1	GASKET	[X] 00.001.004.016
				[A] PRESS FIT
				[B] SLIP FIT
				[E] WAS 37736242 USE 37736243 WITH 3686J002
				[F] USED ONLY WITH 37736242
				[G] USED ONLY WITH 37736243
				[X] QTY PER TRACTORS SOLD (AA.BBB.CCC.DDD) (AA) FOR 1 ,(BBB) 2-10 (CCC) 11-25 (DDD) 26-50



CRANKSHAFT, PISTONS AND CONNECTING RODS-AD3.152 ENGINE

Item	Part Number	Qty	Description	Comments
1	ZZ90150	1	CRANKSHAFT	
2		1		(1) Not serviced, order REF.1
3	68084	X	Kit, Bearing	[A] (1)
	68084A	1	Kit, Bearing	[A, X] Thickness (-)0.25MM Thickness (-)0.010 . 1. 2. 3
3	68084B	X	Kit, Bearing	[A] Thickness (-)0.50MM Thickness (-)0.020
3	68084C	X	Kit, Bearing	[A] Thickness (-)0.75MM Thickness (-)0.030
4	31137211	2	Thrust Washer	(1)
	31137212	1	Washer	[X] Thickness (+)0.19MM Thickness (+)0.0075 . 1. 2. 3
5	31137221	2	Thrust Washer	(1)
	31137222	1	Washer	[X] Thickness (+)0.19MM Thickness (+)0.0075 . 1. 2. 3
6	85036	1	Kit, Bearing	[A] (1)
	85036A	1	Kit, Bearing	[A, X] Thickness (-)0.25MM Thickness (-)0.010 . 1. 2. 3
6	85036B	X	Kit, Bearing	[A] Thickness (-)0.50MM Thickness (-)0.020
6	85036C	X	Kit, Bearing	[A] Thickness (-)0.75MM Thickness (-)0.030
7	ZZ90010	1	Kit, Conrod	[X] . 3. 6. 18
8		1	CONROD	(7) Not serviced, order REF.7
9		1	SUPPORT	(7) Not serviced, order REF.7
10	31134151	1	Bush	(7)
11	0095250	2	Bolt	(7)
12	33221327	2	Nut	(7)
13	68302	3	Kit, Piston	[B]
	89214	3	Kit, Piston	[C, X] 00.003.006.018
14		1	PISTON	(13) Not serviced, order REF.13
15		1		(13) Not serviced, order REF.13
16	0170001	1	Circlip	(13)
17	0170001	1	Circlip	(13)
18	41158065	3	Kit, Piston Ring	[X] . 3. 6. 18
19	31163495	1	GEAR	[X] Number of teeth/spines 25 . 1. 2. 3
20	33125151	1	SPACER	
21	36271704	1	Woodruff Key	
22	31328242	2	Weight	[D]
23	2185189	4	Screw	
24	31731515	2	Washer	
25	31731516	2	Washer	
26	31147788	1	PULLEY	
27	33176137	1	Washer	
28	32162331	1	Screw	
29	33125112	1	Washer	
30	3552228M1	1	CROWNWHEEL	Number of teeth/spines 115
31	33117127	6	Washer	

MASSEY FERGUSON

MF 354 V FOOTSTEP TRACTOR - 3540304

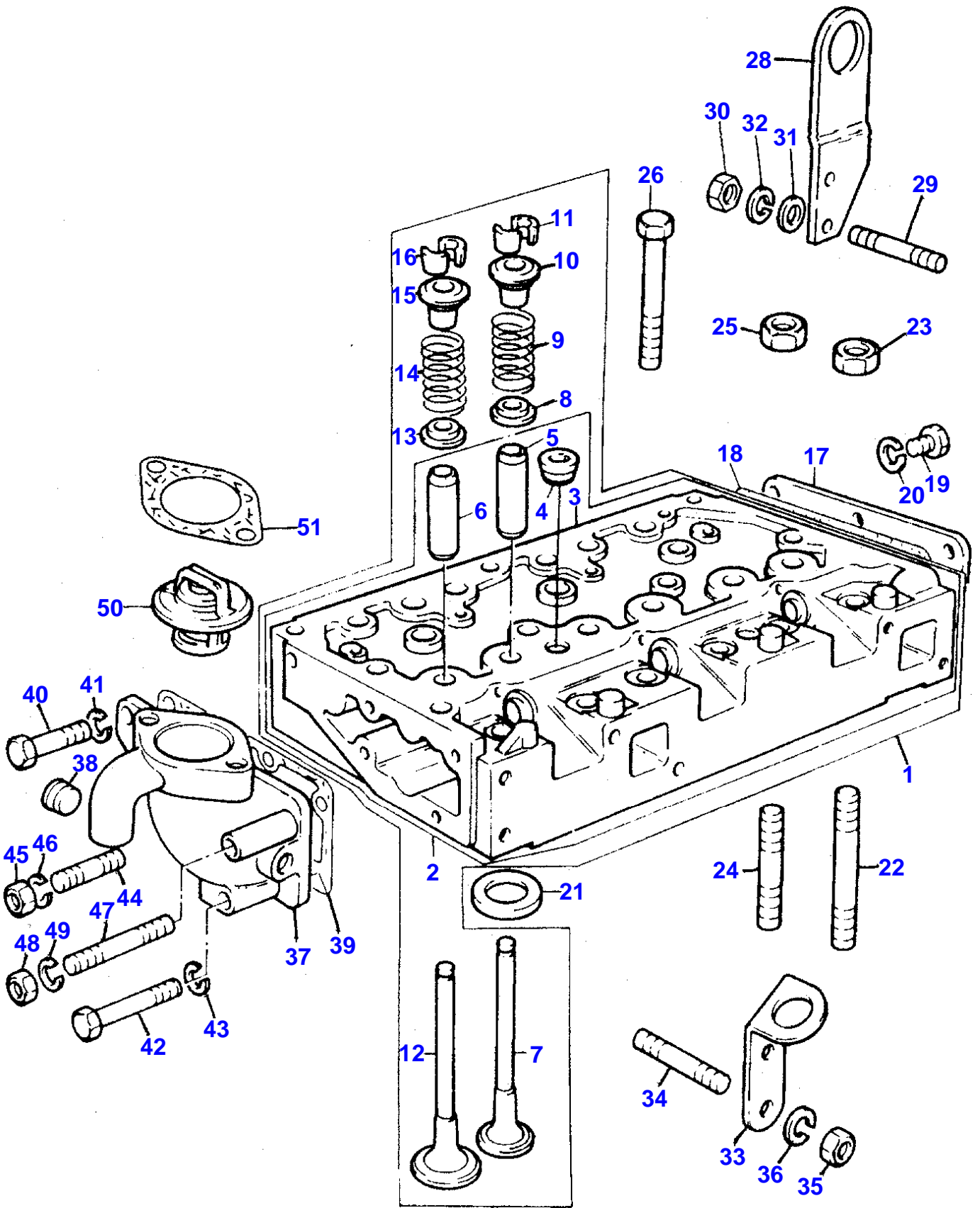
3540304

CRANKSHAFT, PISTONS AND CONNECTING RODS-AD3.152 ENGINE

4

Item	Part Number	Qty	Description	Comments
32	31137235	1	WASHER	(1)
32	31137236	X	WASHER	Thickness (+)0.007
33	31137245	1	WASHER	(1)
33	31137246	X	WASHER	Thickness (+)0.007

[A]  
PRE-FINISHED  
[C]  
PRE-TOPPED  
[B]  
UNTOPPED  
[X]  
QTY PER TRACTORS SOLD (AA.BBB.CCC.DDD) (AA) FOR 1 ,(BBB) 2-10 (CCC)  
11-25 (DDD) 26-50  
[D]  
REPLACES 31328241 IN ENGINE SETS ONLY(QTY 2).



CYLINDER HEAD-AD3.152 ENGINE

Item	Part Number	Qty	Description	Comments
1	ZZ80082	1	Kit, Cyl. Head	
2	ZZ 80017	1	CYLINDER HEAD	(1)
3		1		(2) Not serviced, order REF.2
4	2431154	2	Plug	(2)
5	33261723	3	Guide	(2)
6	3316A031	3	GUIDE	[X] (2) . 3. 6. 18
7	3142A081	3	Valve Exhaust	[X] (1) . 3. 6. 18 . 3. 6. 18
8	33415133	3	Washer	[X] (1) . 3. 6. 18
9	0780012	3	Spring	[X] (1) . 3. 6. 18
10	33423148	3	Cap	[X] (1) . 3. 6. 18
11	0230001	6	Cotter	[A, X] (1) . 3. 6. 18
12	31431681	3	Valve Inlet	[X] (1) . 3. 6. 18
13	33415133	3	Washer	(1)
14	0780012	3	Spring	(1)
15	33423148	3	Cap	(1)
16	0230001	6	Cotter	[A] (1)
17	3612M002	1	Plate	
18	36851416	1	GASKET	
19	353517X1	6	Screw Unf	
20	0920053	6	Washer	
21	33124428	3	Insert	
22	32524132	1	Stud	
23	33221329	1	Nut	
24	32524148	3	Stud	
25	33221329	3	Nut	
26	32181457	5	Screw	
27	32181458	9	Screw	
28		1		[B]
29	2216194	2	SCREW	
30	2188135	2	Nut	
31	0920004	2	Washer	
32	0920054	2	Washer	
33	36456321	1	Plate	
34	0826462	2	Stud	
35	2188135	2	Nut	
36	0920054	2	Washer	
37	37766363	1	Body	
38	2431A054	1	Plug	
39	3685A005	1	GASKET	
40	2183205	2	Screw	
41	0920053	2	Washer	
42	0096437	1	Bolt	
43	0920054	1	Washer	
44	2217072	1	Stud	
45	0576002	1	Nut	
46	0920053	1	Washer	
47	0096441	1	Bolt	
48	2188135	1	Nut	
49	0920054	1	Washer	
50	2485666	1	Thermostat	[X] . 2. 4. 16
51	36834154	1	GASKET	[X] . 2. 4. 16
				[A] SERVICED IN PAIRS [X] QTY PER TRACTORS SOLD (AA.BBB.CCC.DDD) (AA) FOR 1 ,(BBB) 2-10 (CCC) 11-25 (DDD) 26-50 [B]

MASSEY FERGUSON

MF 354 V FOOTSTEP TRACTOR - 3540304

3540304

CYLINDER HEAD-AD3.152 ENGINE

5

Item	Part Number	Qty	Description	Comments
				NOT SERVICED



ROCKER SHAFT-AD3.152 ENGINE

Item	Part Number	Qty	Description	Comments
1	4115R805	1	Rocker Shaft Ass	[X]
2	ZZ90047	1	Rocker Shaft	. 0. 1. 2 [X] (1)
3		1	SHAFT	. 1. 2. 4 (2)
4	0650507	2	Plug	Not serviced, order REF.2 [X] (2)
5	0170033	1	Circlip	. 2. 4. 8 (1)
6	0101138	1	Bracket	(1)
7	3737A091	1	Lever	(1)
8	0780005	1	Spring	Right Hand (1)
9	3737A091	1	Lever	(1)
10	0330505	1	Spacer	Right Hand (1)
11	37521212	1	Bracket	(1)
12	2112A066	1	Pin	(1)
13	0330505	1	Spacer	(1)
14	3737A101	1	Lever	(1)
15	0780175	1	Spring	Left Hand (1)
16	35568352	1	Pipe,Oil	(1)
17	3737A091	1	Lever	(1)
18	0330505	1	Spacer	Right Hand (1)
19	0101138	1	Bracket	(1)
20	0330505	1	Spacer	(1)
21	3737A101	1	Lever	(1)
22	0780005	1	Spring	Left Hand (1)
23	3737A101	1	Lever	(1)
24	0101138	1	Bracket	Left Hand (1)
25	0170033	1	Circlip	(1)
26	0860012	6	Tappet	[X] . 2. 4. 8
27	32151116	6	Screw	
28	0576052	6	Nut	
29	2214209	2	Stud	
30	2211283	2	Nut	
31	0920004	2	Washer	
32	32754435	2	Stud	
33	2211283	2	Nut	
34	0920004	2	Washer	
35	0206002	1	Union	
36	37188557	1	COVER	Up to Serial or Engine Number 31/01/94
37	37188197	1	COVER	From Serial or Engine Number 01/02/94
38	0576102	2	Nut	[X] . 2. 4. 10
39	3314P004	2	Washer	
40	3381A003	2	Washer	
41	35732479	1	Pipe	Up to Serial or Engine Number 31/01/94
42	0202058	1	Hose	Up to Serial or Engine Number 31/01/94
43	21825195	1	Clip	Up to Serial or Engine Number 31/01/94
44	21825195	1	Clip	Up to Serial or Engine Number 31/01/94
45	2217572	1	STUD	Up to Serial or Engine Number 31/01/94
46	0576002	1	Nut	Up to Serial or Engine Number 31/01/94
47	0920460	1	SPACER	Up to Serial or Engine Number 31/01/94
48	0920053	1	Washer	Up to Serial or Engine Number 31/01/94
49	2487854	1	Cap	(36) From Serial or Engine Number 01/02/94
50	24870001	1	Joint	(49) From Serial or Engine Number 01/02/94
51	21825195	1	Clip	From Serial or Engine Number 01/02/94
52	33872516	1	Pipe,Breather	From Serial or Engine Number 01/02/94
53	31754118	1	Spring	From Serial or Engine Number 01/02/94
54	0920053	1	Washer	From Serial or Engine Number 01/02/94

MASSEY FERGUSON

MF 354 V FOOTSTEP TRACTOR - 3540304

3540304

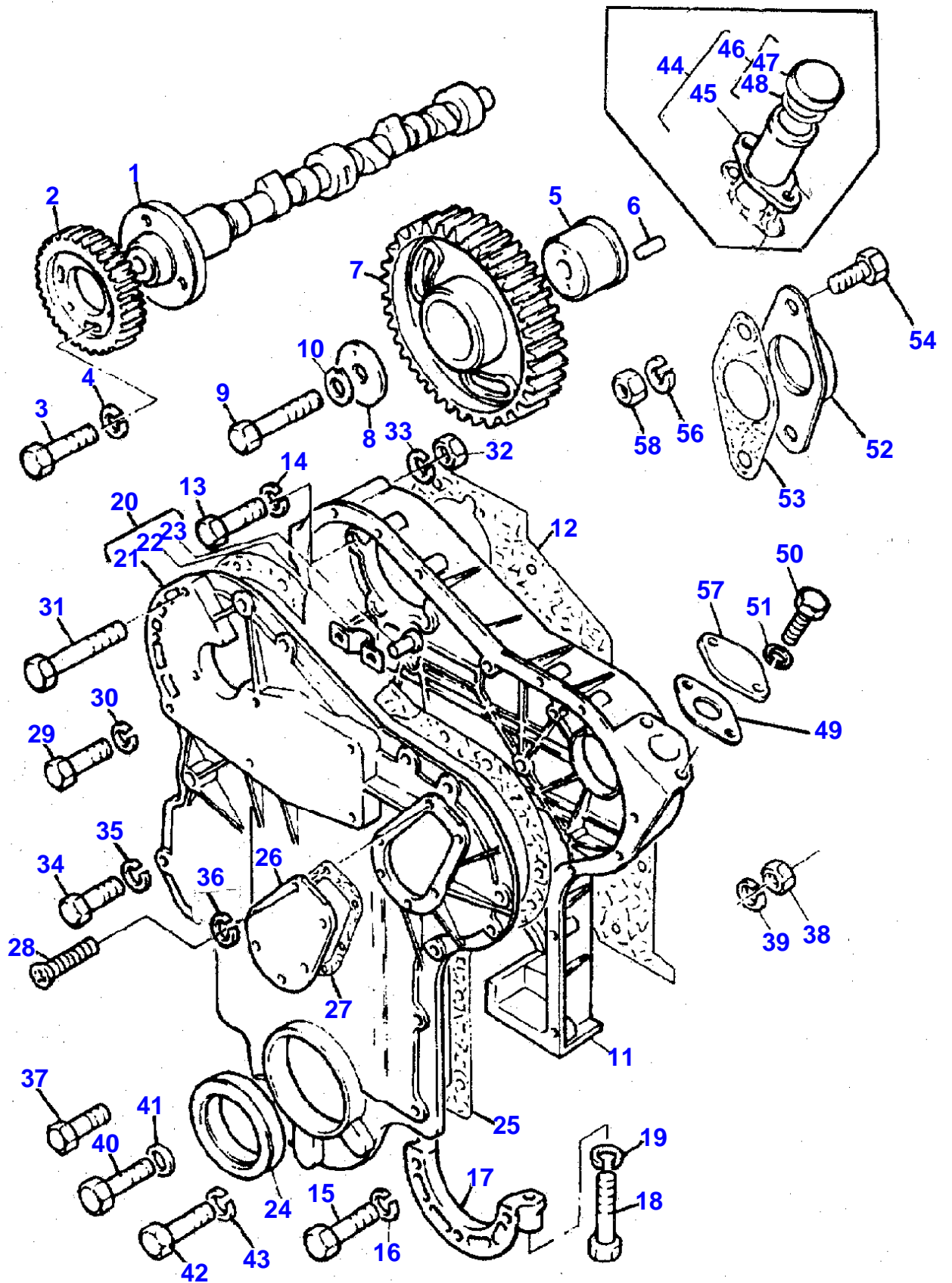
ROCKER SHAFT-AD3.152 ENGINE

6

Item	Part Number	Qty	Description	Comments
55	36561129	2	Clip	From Serial or Engine Number 01/02/94
56	2233204	1	Screw	From Serial or Engine Number 01/02/94

[X]

QTY PER TRACTORS SOLD (AA.BBB.CCC.DDD) (AA) FOR 1 ,(BBB) 2-10 (CCC) 11-25 (DDD) 26-50



TIMING GEAR AND CAMSHAFT-AD3.152 ENGINE

Item	Part Number	Qty	Description	Comments
1	31415264	1	Camshaft	
2	0410241	1	Gear,Camshaft	[A, C] Number of teeth/spines 50
2	31164131	1	GEAR	[B, D] Number of teeth/spines 50
3	0746214	3	Screw	
4	0920053	3	Washer	
5	0995447	1	Hub	
6	0350005	1	Dowel	
7	31164362	1	Gear,Idler	[A, C] Number of teeth/spines 90
7	4111A015	1	Gear,Idler	[B, D] Number of teeth/spines 90
8	0940738	1	Plate	
9	0095199	1	Screw	
10	0920883	1	Washer	
11	37161481	1	Timing Case	
12	36814161	1	GASKET	[X] . 1. 2. 8
13	0746355	12	Screw	
14	0920053	12	Washer	
15	0096234	2	Bolt	
16	0920053	2	Washer	
17	37354312	1	Timinggear Cover	
18	0746259	2	SCREW	
19	0920053	2	Washer	
20	ZZ90039	1	Kit, Front Cover	
21		1		(20) Not serviced, order REF.20
22	3661P002	1	Spring	(20)
23	2126151	1	Rivet	(20)
24	2415344	1	Seal	[X] . 1. 2. 8
25	36813158	1	GASKET	[X] 00.001.002.008 From Serial or Engine Number 01/02/94
26	36234114	1	Blanking Cover	From Serial or Engine Number 01/02/94
27	36862572	1	GASKET	
28	2227117	6	Screw	Up to Serial or Engine Number 31/01/94
	2233103	6	Screw	From Serial or Engine Number 01/02/94
29	0748414	2	Setscrew	
30	0920053	2	Washer	
31	0096213	1	Bolt	
32	0576002	1	Nut	
33	0920053	1	Washer	
34	0748354	8	Screw	
35	0920052	8	Washer	
36	0920052	6	Washer	From Serial or Engine Number 01/02/94
37	0748510	2	Bolt	
38	2238153	2	Nut	
39	0920054	2	Washer	
40	2233207	1	Screw	
41	2411152	1	Washer	
42	2233207	3	Screw	
43	0920053	3	Washer	
44	35784123	1	Filler	Up to Serial or Engine Number 31/01/94 (44) Not serviced, order REF.44 Up to Serial or Engine Number 31/01/94
45		1		(44) Up to Serial or Engine Number 31/01/94
46	2487854	1	Cap	(44) Up to Serial or Engine Number 31/01/94
47		1		(46) Not serviced, order REF.46 Up to Serial or Engine Number 31/01/94
48	24870001	1	Joint	(46) Up to Serial or Engine Number 31/01/94
49	36837413	1	Joint	
50	2183204	2	Screw	
51	0920053	2	Washer	
52	37461104	1	Plate	

MASSEY FERGUSON

MF 354 V FOOTSTEP TRACTOR - 3540304

3540304

TIMING GEAR AND CAMSHAFT-AD3.152 ENGINE

7

Item	Part Number	Qty	Description	Comments
53	36835432	1	GASKET	
54	0748510	2	Bolt	
55	2238153	2	Nut	
56	0920054	2	Washer	
57	36172128	1	Plate	From Serial or Engine Number 01/02/94

[X]

QTY PER TRACTORS SOLD (AA.BBB.CCC.DDD) (AA) FOR 1 ,(BBB) 2-10 (CCC) 11-25 (DDD) 26-50

[A]

FOR ENGINES BUILT TO BUILD LIST CE31197 (3553118M9 1).

[B]

FOR ENGINES BUILT TO BUILD LIST CE31212 (3553128M9 1).

[C]

STD.HYDRAULIC LINES

[D]

SINGLE HYDRAULIC LINES



FUEL INJECTION EQUIPMENT-AD3.152 ENGINE

Item	Part Number	Qty	Description	Comments
1	2643B133	1	Injection Pump	
2	3281M002	1	SLEEVE	
3	31718104	1	Seal	
4	31718105	1	Wire	
5	3687H011	1	GASKET	
6	2217575	3	Stud	
7	0576002	3	Nut	
8	390972X1	3	Washer Metric	
9	0920053	3	Washer	
10	31164632	1	Gear,Fuel Pump	[A, C] Number of teeth/spines 50
10	3116K082	1	GEAR	[B, D] Number of teeth/spines 50
11	0350010	1	Dowel	
12	0746211	3	Bolt	
13	0920053	3	Washer	
14	3521E018	1	PIPE	[X] NO.1 CYL. . 3. 6. 18
15	3521E019	1	PIPE	[X] NO.2 CYL. . 2. 6. 18
16	3521E021	1	PIPE	[X] NO.3 CYL. . 3. 6. 18
17	38631117	1	Plate	
18	36845115	1	Clip	
19	36845115	1	Clip	
20	36511127	1	Plate	
21	2211401	2	Nut	
22	2645C021	3	ATOMISER	[X] Up to Serial or Engine Number U860255U . 3. 6. 18
22	2645C021	3	ATOMISER	[X] From Serial or Engine Number U860256U 00.003.006.018
23	2645C305	1	SUPPORT	(22) Up to Serial or Engine Number U860255U
23	2645L301	1	SUPPORT	(22) From Serial or Engine Number U860256U
24	2645L604	1	NOZZLE	(22) Up to Serial or Engine Number U860255U
24	2645L604	1	NOZZLE	(22) From Serial or Engine Number U860256U
25	0921173	3	Washer	[X] . 3. 6. 18
26	33813126	3	Spacer	[X] . 3. 6. 16
27	33813127	3	Seal	[X] . 3. 6. 18
28	2216105	3	Stud	
29	32726512	3	Nut	
30	2216105	3	Stud	
31	353916X1	3	Nut Unf	
32	0576002	1	Nut	[X] . 3. 6. 18
33	0095315	2	Banjo Bolt	
34	0920107	2	Washer	
35	0920107	2	Washer	
36	0201526	1	Union	
37	0920107	1	Washer	
38	0920107	1	Washer	

[X]  
QTY PER TRACTORS SOLD (AA.BBB.CCC.DDD) (AA) FOR 1 ,(BBB) 2-10 (CCC) 11-25 (DDD) 26-50  
[A]  
FOR ENGINES BUILT TO BUILD LIST CE31197 (3553118M9 1).  
[B]

MASSEY FERGUSON

MF 354 V FOOTSTEP TRACTOR - 3540304

3540304

FUEL INJECTION EQUIPMENT-AD3.152 ENGINE

8

Item	Part Number	Qty	Description	Comments
				FOR ENGINES BUILT TO BUILD LIST CE31212 (3553128M9 1).
				[C]
				STD.HYDRAULIC LINES
				[D]
				SINGLE HYDRAULIC LINES



**Suggest:**

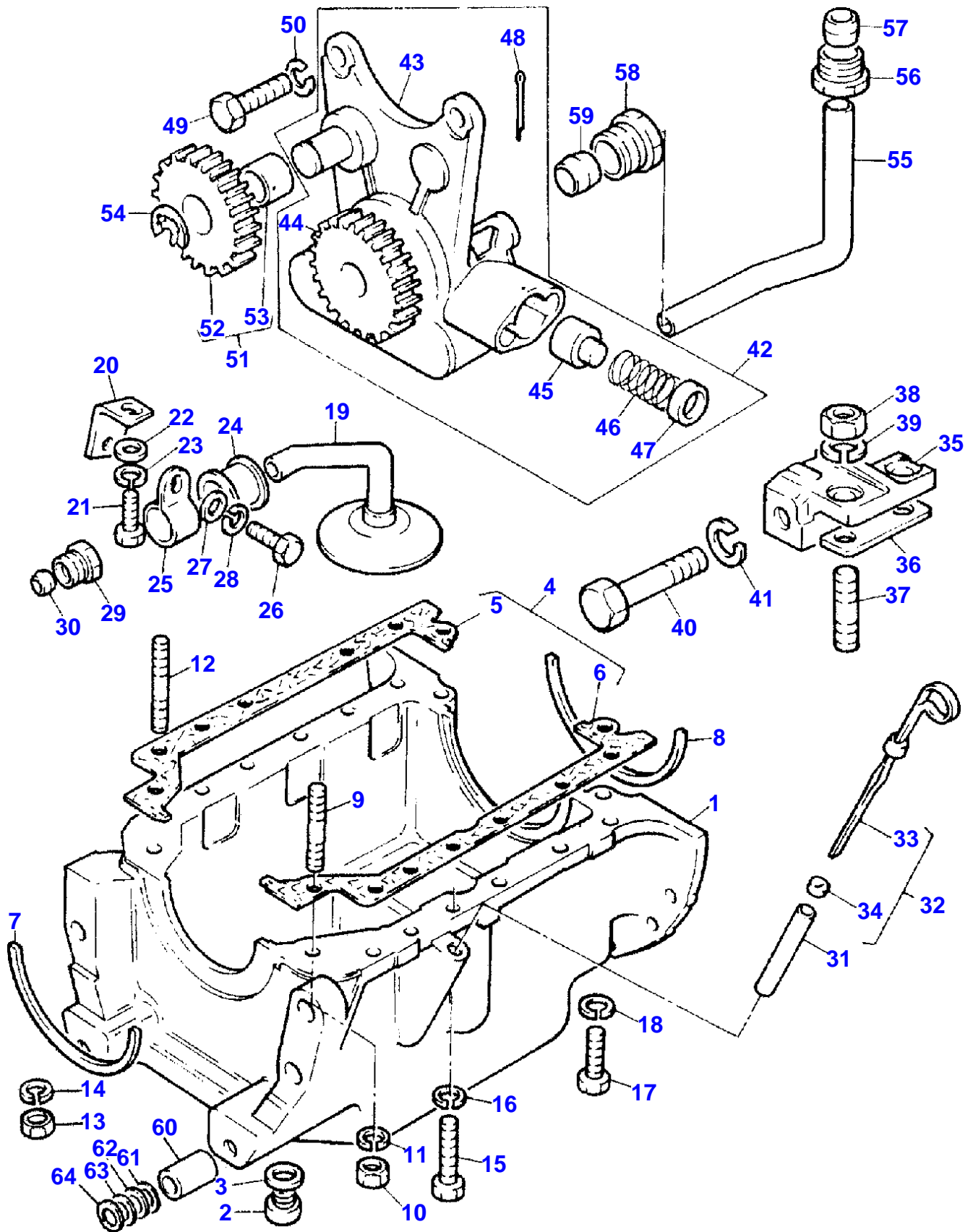
**If the above button click is invalid.**

**Please download this document**

**first, and then click the above link**

**to download the complete manual.**

**Thank you so much for reading**



**<https://www.ebooklibonline.com>**

Hello dear friend!

Thank you very much for reading.

Enter the link into your browser.

The full manual is available for immediate download.

**<https://www.ebooklibonline.com>**