

Page Title	Page Number
ENGINE ASSEMBLY-AD3.152 ENGINE	1
SHORT ENGINE-TABLE PK ACEC9106	2
CYLINDER BLOCK-AD3.152 ENGINE	3
CRANKSHAFT, PISTONS AND CONNECTING RODS-AD3.152 ENGINE	4
CYLINDER HEAD-AD3.152 ENGINE	5
ROCKER SHAFT-AD3.152 ENGINE	6
TIMING GEAR AND CAMSHAFT-AD3.152 ENGINE	7
FUEL INJECTION EQUIPMENT-AD3.152 ENGINE	8
LUBRICATING OIL SUMP-AD3.152 ENGINE	9
LUBRICATING OIL FILTER AND INTEGRAL COOLER-AD3.152 ENGINE	10
WATER PUMP, THERMOSTAT AND HEAT EXCHANGER-AD3.152 ENGINE	11
FUEL SYSTEM AND FILTER-AD3.152 ENGINE	12
AIR INDUCTION AND EXHAUST SYSTEM	13
ALTERNATOR POSITIONER-AD3.152 ENGINE	14
JOINTS AND GASKETS-AD3.152 ENGINE	15
HEATER KIT-COLD CLIMATE	16
ALTERNATOR	17
ALTERNATOR	18
ALTERNATOR-ISKRA TYPE	19
STARTER MOTOR-MARELLI TYPE	20
STARTER MOTOR-ISKRA TYPE	21
STARTER MOTOR-BOSCH	22
COOLING SYSTEM-FAN AND HOSES	23
COOLING SYSTEM-RADIATOR AND BRACKET	24
FUEL SYSTEM	25
FUEL TANK	26
DRY AIR FILTER-DRY AIR CLEANER	27
EXHAUST SYSTEM	28
THROTTLE CONTROLS	29
THROTTLE CONTROLS	30
BATTERY	31
INSTRUMENT PANEL AND INSTRUMENTS	32
INSTRUMENT PANEL AND INSTRUMENTS	33
ELECTRONIC HARNESS	34
ELECTRICAL WIRING-FRONT	35
ELECTRICAL WIRING-REAR	36
LIGHTING EQUIPMENT	37
LIGHTING EQUIPMENT	38
CLUTCH-O.M.G. - 11	39
CLUTCH-LUK - 11	40
CLUTCH PEDAL AND LINKAGE	41
LOWER CLUTCH P.T.O.	42
CENTRE AXLE HOUSING AND TRANSMISSION HOUSING	43
CENTRE AXLE HOUSING AND TRANSMISSION HOUSING	44
TRANSMISSION	45
TRANSMISSION	46
SHIFT LEVERS	47
GEAR BOX-FOR SHUTTLE VERSION ONLY.	48
REDUCER OPTION-FOR SHUTTLE VERSION ONLY.	49
GEAR BOX-FOR SHUTTLE VERSION ONLY.	50
GEAR BOX-FOR SPECIAL OPTIONS VERSION ONLY	51
REDUCER OPTION-OVERDRIVE AND SHUTTLE VERSION	52
REDUCER OPTION-OVERDRIVE AND UNDERDRIVE VERSION	53
REDUCER OPTION-OVERDRIVE AND CREEPER VERSION	54
REDUCER OPTION-UNDERDRIVE AND SHUTTLE VERSION	55
REDUCER OPTION-UNDERDRIVE E CREEPER VERSION	56
REDUCER OPTION-SHUTTLE AND CREEPER VERSION	57
PTO SHAFT-STANDARD	58
PTO SHAFT-540/750/1000 R.P.M.	59
PTO-CONTROL-STANDARD	60
PTO-CONTROL-540/750/1000 R.P.M.	61
TRANSFER GEAR BOX AND DRIVE SHAFT:	62
4 WHEEL DRIVE CONTROLS	63
REAR AXLE	64
REAR AXLE	65
DIFFERENTIAL LOCK MECHANISM	66

TABLE OF CONTENT

DIFFERENTIAL LOCK MECHANISM	67
BRAKE AND CONTROLS-PEDALS	68
BRAKE AND CONTROLS-PIPINGS	69
BRAKES AND CONTROLS	70
BRAKES	71
MASTER CYLINDER-BRAKE PUMP	72
BRAKE CYLINDER	73
TRAILER BRAKES-FRANCE TYPE	74
REAR WHEELS	75
WHEELS FRONT	76
FRONT AXLE 2 WHEEL DRIVE	77
FRONT AXLE 4 WHEEL DRIVE	78
FRONT AXLE 4 WHEEL DRIVE-WITH DISCBRAKES	79
FRONT AXLE 4 WHEEL DRIVE	80
FRONT AXLE 4 WHEEL DRIVE	81
FRONT AXLE 4 WHEEL DRIVE	82
STEERING HYDRAULIC LINES	83
STEERING HYDRAULIC LINES	84
STEERING ORBITROL UNIT-2 WHEEL DRIVE	85
STEERING ORBITROL UNIT-4 WHEELS DRIVE	86
STEERING-PUMP-TUROLLA	87
STEERING-PUMP-BOSCH	88
STEERING CYLINDER	89
STEERING CYLINDER	90
HYDRAULIC EQUIPMENT-HIDRAULIC LINES STD.	91
HYDRAULIC EQUIPMENT-WITH REAR AND FRONT CONTROL VALVE	92
HYDRAULIC PUMP-TUROLLA	93
HYDRAULIC PUMP-BOSCH	94
HYDRAULIC PUMP-TUROLLA	95
HYDRAULIC PUMP-BOSCH	96
HYDRAULIC LIFT VALVE-WITH MECANICS RISER	97
HYDRAULIC LIFT-WITH MECANICS RISER	98
HYDRAULIC LIFT-WITH ELECTRONIC LIFT	99
HYDRAULIC LIFT - DETAILS	100
ELECTRICAL WIRING-WITH ELECTRONIC LIFT	101
ELECTRICAL WIRING-WITH ELECTRONIC LIFT	102
ELECTRICAL WIRING-CONTROL PANEL ELECTRONIC LIFT	103
HYDRAULIC LIFT VALVE-WITH ELECTRONIC LIFT	104
HYDRAULIC LIFT CYLINDER	105
MECHANICAL CONTROL LIFT	106
MECHANICAL CONTROL LIFT-INTERMIX	107
MECHANICAL CONTROL LIFT	108
AUXILIARY HYDRAULIC VALVE LINES-TILL TYPE	109
AUXILIARY HYDRAULIC VALVE LINES-TILL TYPE	110
AUXILIARY HYDRAULIC VALVE LINES-THIRD DISTRIBUTOR TILL	111
AUXILIARY HYDRAULICS-CONTROL FOR 1.0 DDISTRIBUTOR	112
AUXILIARY HYDRAULICS-CONTROL WITH 1.0 AND 2.0 DISTRIBUTOR.	113
AUXILIARY HYDRAULICS-CONTROL FOR 3.0 DDISTRIBUTOR TILL	114
AUXILIARY HYDRAULICS VALVE STANDARD-UP TO SERIAL N.B32126	115
AUXILIARY HYDRAULICS VALVE STANDARD-FROM SERIAL N.B32127	116
AUXILIARY HYDRAULICS FLOATING-UP TO SERIAL N.B32126	117
AUXILIARY HYDRAULICS FLOATING-FROM SERIAL N.B32127	118
AUXILIARY HYDRAULIC VALVE LINES-WITH 1.0 DISTRIBUTOR	119
AUXILIARY HYDRAULIC VALVE LINES-WITH 2.0 DISTRIBUTORES	120
AUXILIARY HYDRAULIC VALVE LINES-WITH 3.0 DISTRIBUTORES	121
AUXILIARY HYDRAULIC VALVE LINES-WITH 4.0 DISTRIBUTORES	122
AUXILIARY HYDRAULICS-CONTROL WITH 1.0 AND 2.0 DISTRIBUTOR.	123
AUXILIARY HYDRAULICS-CONTROL FOR 3.0 DISTRIBUTOR - HIDROIRMA	124
AUXILIARY HYDRAULICS-CONTROL FOR 4.0 DISTRIBUTOR -HIDROIRMA	125
CONTROL VALVE-HIDROIRMA TYPE FOR REAR CONTROL VALVE	126
CONTROL VALVE-HIDROIRMA TYPE FOR REAR AND FRONT CONTROL VAL	127
AUXILIARY HYDRAULICS VALVE STANDARD-HIDROIRMA TYPE STANDARD	128
AUXILIARY HYDRAULICS VALVE STANDARD-HIDROIRMA TYPE STANDARD	129
AUXILIARY HYDRAULICS FLOATING-HIDROIRMA TYPE FLOATING	130
AUXILIARY HYDRAULICS FLOATING-HIDROIRMA TYPE FLOATING	131
.-HIDROIRMA TYPE.	132
.-HIDROIRMA TYPE.	133
UPPER AND LOWER LINKS AND RELATED PARTS	134

TABLE OF CONTENT

LINKAGE-QUICK ATTACH	135
LINKAGE-QUICK ATTACH	136
LINKAGE-QUICK ATTACH-DETAILS	137
LINKAGE-QUICK ATTACH	138
SHEET METAL	139
SIDE COVER-SHIELD FAN	140
SHEET METAL	141
SHEET METAL	142
SHEET METAL-CLADDING PLATFORM	143
SHEET METAL-CLADDING PLATFORM	144
BALE EJECTOR KIT	145
BALE EJECTOR KIT	146
BALE EJECTOR KIT	147
SUPPORTS PLATFORM	148
SHEET METAL-CLADDING PLATFORM	149
SHEET METAL-CHASSIS AND SUSPENSION	150
FENDERS - FRONT-4 WHEEL DRIVE	151
SEAT	152
SEAT	153
SEAT	154
SEAT	155
DRIVER SEAT	156
TRACTOR CAB	157
TRACTOR CAB-FRONT - WINDSCREEN	158
TRACTOR CAB-LOWER FIXED COMPONENTS	159
TRACTOR CAB	160
TRACTOR CAB-REAR AND BRACKET	161
TRACTOR CAB-LEFT SIDE - RIGHT SIDE	162
TRACTOR CAB-OUTSIDE AND INTERNAL	163
ROTATING LIGHT	164
WEIGHT FRAME AND WEIGHTS W	165
REAR HITCH	166
REAR HOOK-STANDARD	167
DRAWBAR-HEAVY DUTY	168
REAR HOOK-WITH 6 POSITIONS	169
REAR HITCH	170
TOOL KIT	171

<https://www.ebooklibonline.com>

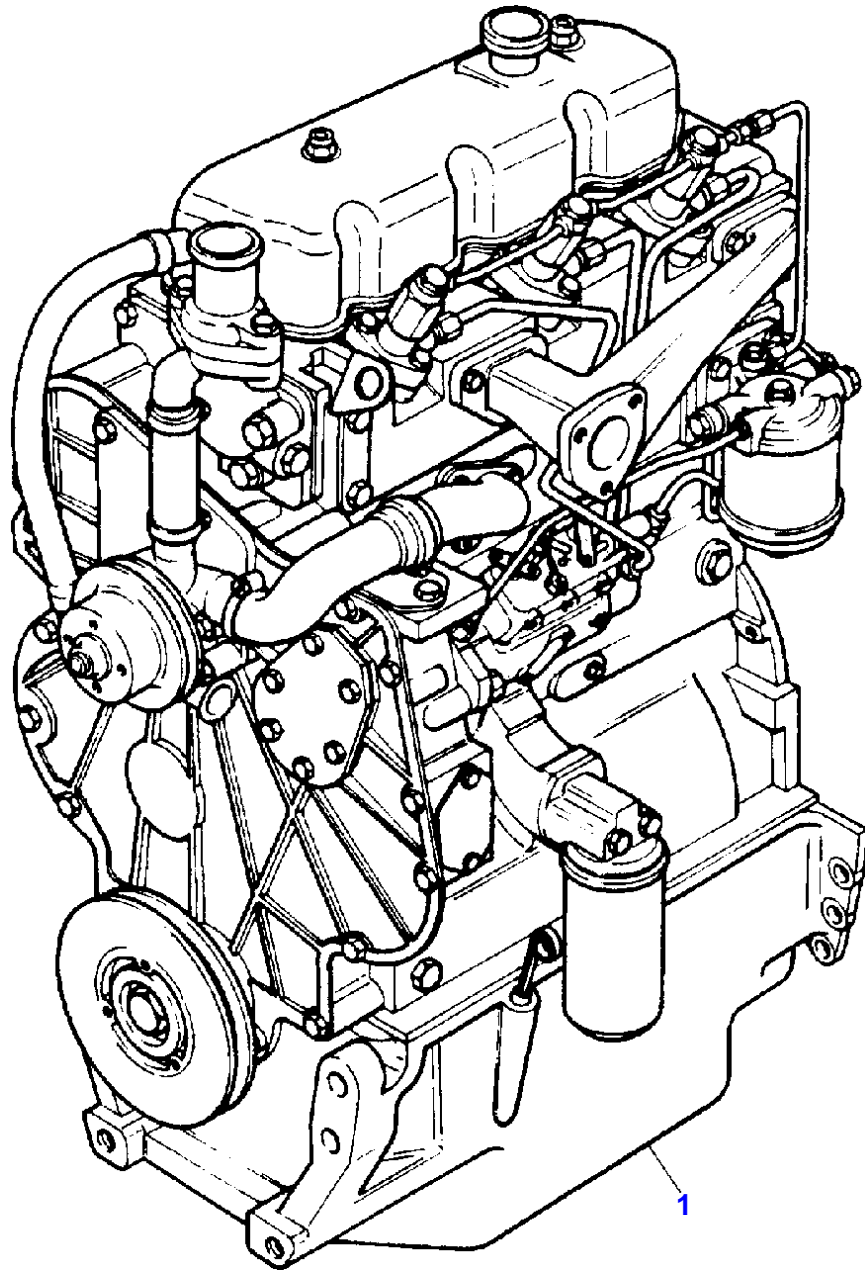
Hello dear friend!

Thank you very much for reading.

Enter the link into your browser.

The full manual is available for immediate download.

<https://www.ebooklibonline.com>



MASSEY FERGUSON

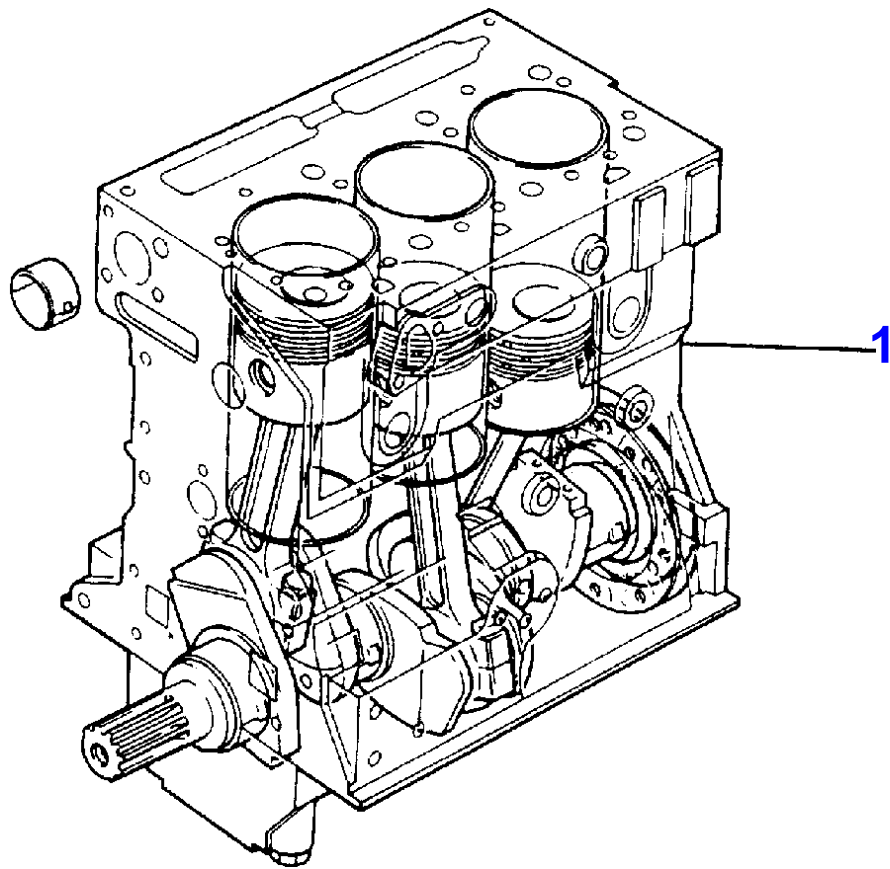
MF 354 AQ CAB TRACTOR - 3540968

3540968

ENGINE ASSEMBLY-AD3.152 ENGINE

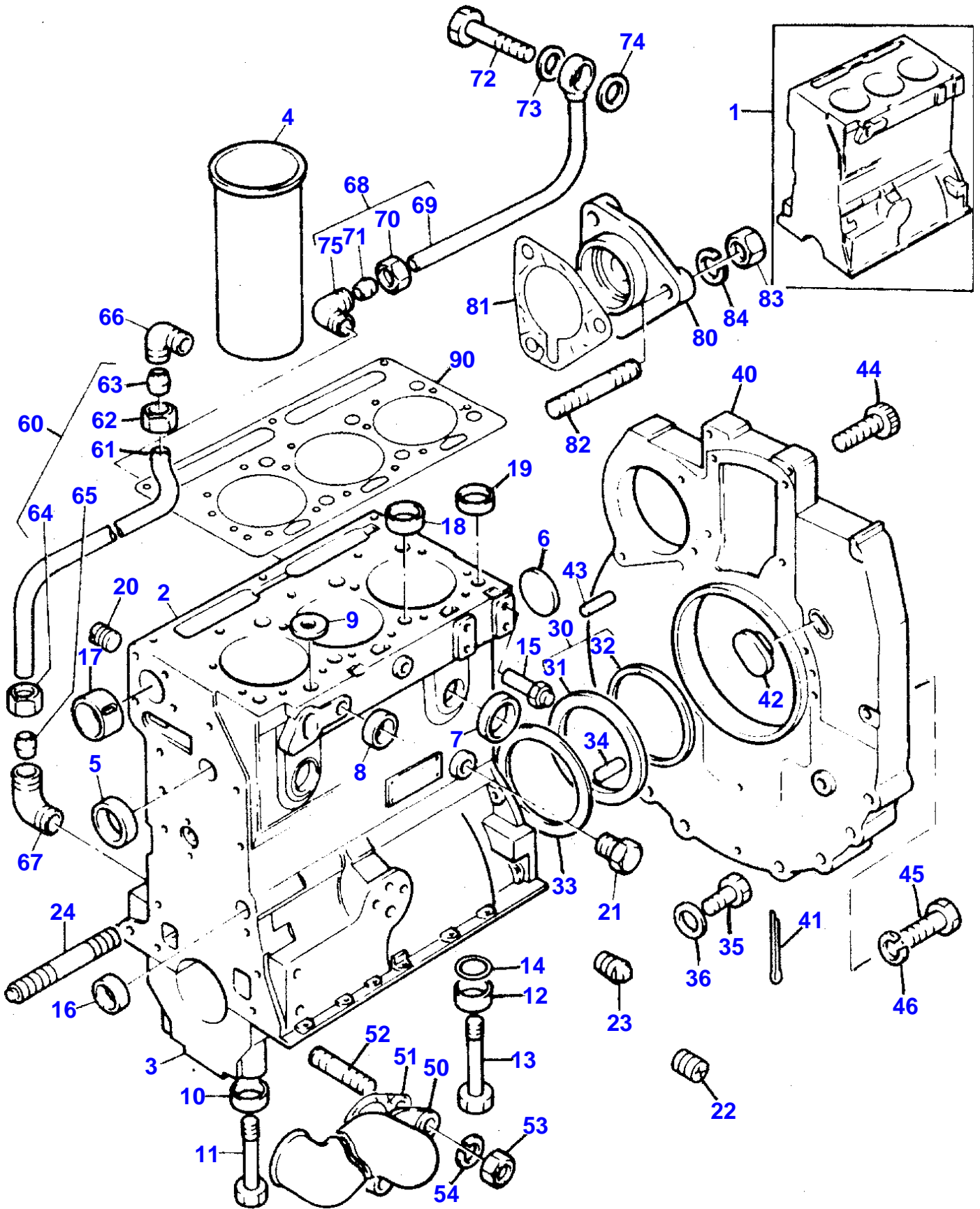
1

Item	Part Number	Qty	Description	Comments
1	3553118M91	1	Engine	[A] "CE31197"
1	3553128M91	1	ENGINE	[B] "CE31212"
				[A] STD.HYDRAULIC LINES
				[B] SINGLE HYDRAULIC LINES



SHORT ENGINE-TABLE PK ACEC9106

Item	Part Number	Qty	Description	Comments
1	CE39124	1	ENGINE	[A] "39116"
2		1	CYLINDER BLOCK	[B] (1)
		3	LINER	(1)
		1	CRANKSHAFT	(1)
		2	WEIGHT	(1)
		1	BEARING	(1)
		3	PISTON	(1)
		3	SEGMENT	(1)
		3	CONROD	(1)
		1	BEARING	(1)
		4	WASHER	(1)
		1	SEAL	(1)
		1	HOUSING	(1)
				[A] LIP SEAL
				[B] COMPLETE WITH PLUGS



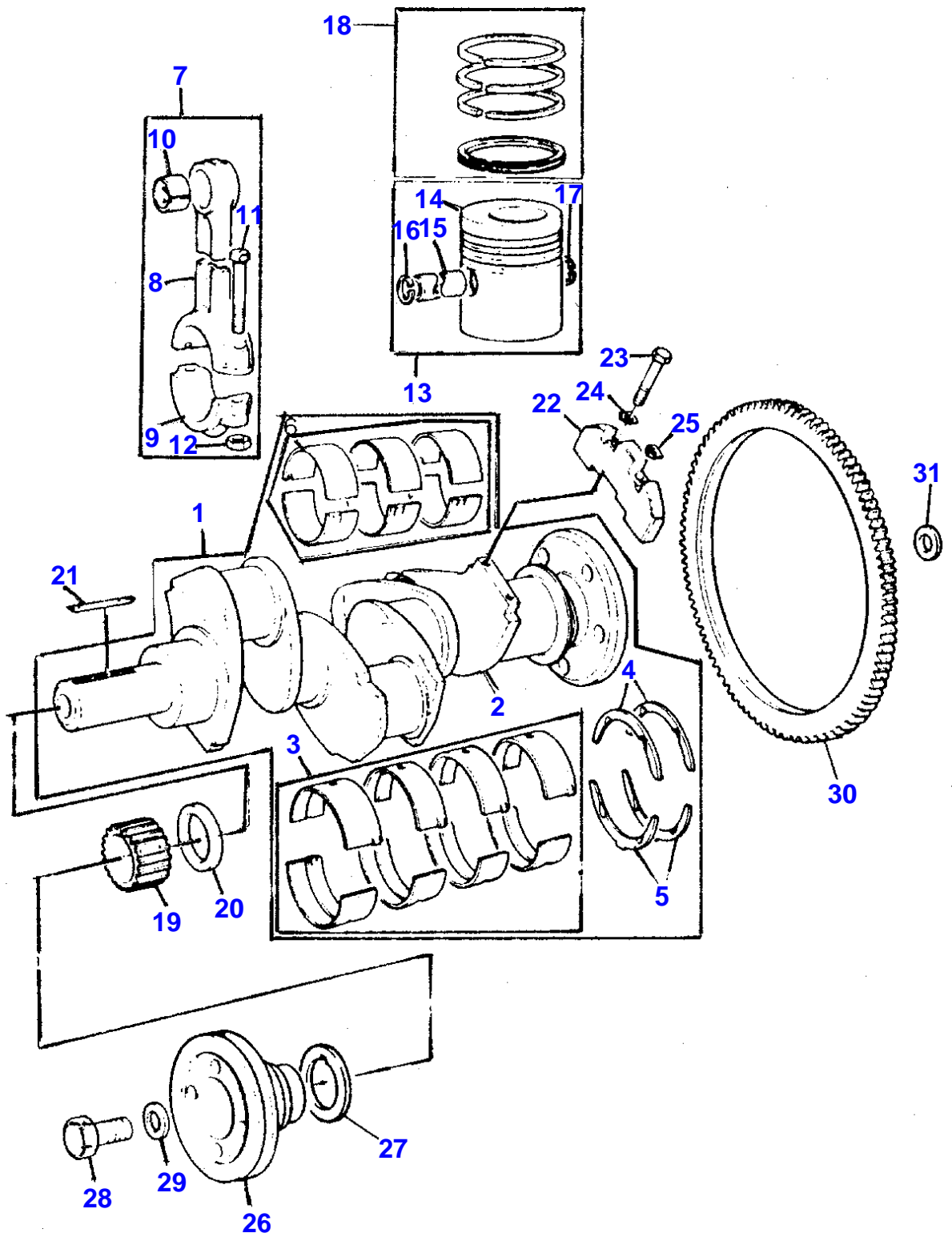
CYLINDER BLOCK-AD3.152 ENGINE

Item	Part Number	Qty	Description	Comments
1	ZZ 50206	1	BLOCK	
2	ZZ 50133	1	BLOCK	Up to Serial or Engine Number
		1	CYLINDER BLOCK	(1)
3		4	SUPPORT	Not serviced, order REF.1 (1)
4	31358323	3	Liner	Not serviced, order REF.1 [A, X] (1)
4	31358345	X	Liner	. 3. 3. 6 [B]
	31358357	X	Liner	[B] Thickness (+) 0.76MM Thickness (+) 0.030
5	0650710	1	Plug	(1)
6	0650692	1	Plug	(1)
7	0650710	4	Plug	(1)
8	32417163	2	Plug	(1)
9	33141124	1	Plug	(1)
10	33137408	6	Thimble	(1)
11	32181441	6	Screw	(1)
12	33137408	2	Thimble	(1)
13	32181442	2	Screw	(1)
14	2415608	2	O Ring	(1)
15	2485A204	1	Plug	(1)
16	0650566	2	Plug	(1)
17	31134128	1	Bush	(1)
18	33157142	2	Plug	(1)
19	33157143	2	Plug	(1)
20	32114143	1	Plug	(1)
21	32161114	1	Plug	(1)
22	32114472	3	Plug	(1)
23	0650593	1	Plug	(1)
23	0650594	1	Plug	Up to Serial or Engine Number U726816K
24	32537404	1	Stud	From Serial or Engine Number U726817K
30	4142V002	1	Housing	[X] . 1. 2. 8
31		1	HOUSING	(30) Not serviced, order REF.30
32	2418F475	1	Seal	(30)
33	33826115	1	GASKET	[X] . 1. 2. 8
34	0350015	2	Dowel	[X] . 1. 2. 8
35	2183205	9	Screw	
36	390972X1	9	Washer Metric	
40	37147975	1	Plate	
41	0610045	1	Pin	
42	37813113	1	Plug	
43	0350016	2	Dowel	
44	0720798	2	Screw	
45	0746454	6	BOLT	
46	0920054	6	Washer	
50	37736243	1	UNION	[E]
51	3686J003	1	GASKET	[F]
	3686J003	1	GASKET	[G]
52	2183205	2	Screw	
53	0576002	2	Nut	
54	0920053	2	Washer	
60	35352404	1	Pipe,Oil	
61		1	PIPE	(60) Not serviced, order REF.60
62	0576111	1	Nut	(60)
63	0566002	1	Olive	(60)
64	0576111	1	Nut	(60)
65	0566002	1	Olive	(60)
66	0201047	1	Connection	
67	0201047	1	Connection	
68	35568109	1	Pipe,Oil	
69		1	PIPE	(68)

CYLINDER BLOCK-AD3.152 ENGINE

Item	Part Number	Qty	Description	Comments
				Not serviced, order REF.68
70	0576111	1	Nut	(68)
71	0566002	1	Olive	(68)
72	0095350	1	Bolt	
73	2411118	1	Washer	
74	2411118	1	Washer	
75	0201047	1	Connection	
80	37556191	1	Plate	
81	36862605	1	GASKET	
82	2183205	3	Screw	(80)
83	390972X1	3	Washer Metric	
90	3681E024	1	GASKET	[X] 00.001.004.016

[A]
PRESS FIT
[B]
SLIP FIT
[E]
WAS 37736242 USE 37736243 WITH 3686J002
[F]
USED ONLY WITH 37736242
[G]
USED ONLY WITH 37736243
[X]
QTY PER TRACTORS SOLD (AA.BBB.CCC.DDD) (AA) FOR ,(BBB) 2-10 (CCC)
11-25 (D DD) 26-50



CRANKSHAFT, PISTONS AND CONNECTING RODS-AD3.152 ENGINE

Item	Part Number	Qty	Description	Comments
1	ZZ90150	1	CRANKSHAFT	
2		1	SHAFT	(1) Not serviced, order REF.1
3	68084	X	Kit, Bearing	[A] (1)
	68084A	1	Kit, Bearing	[A, X] Thickness (-)0.25MM Thickness (-)0.010 . 1. 2. 3
3	68084B	X	Kit, Bearing	[A] Thickness (-)0.50MM Thickness (-)0.020
3	68084C	X	Kit, Bearing	[A] Thickness (-)0.75MM Thickness (-)0.030
4	31137211	2	Thrust Washer	(1)
	31137212	1	Washer	[X] Thickness (+)0.19MM Thickness (+)0.0075 . 1. 2. 3
5	31137221	2	Thrust Washer	(1)
	31137222	1	Washer	[X] Thickness (+)0.19MM Thickness (+)0.0075 . 1. 2. 3
6	85036	1	Kit, Bearing	[A] (1)
	85036A	1	Kit, Bearing	[A, X] Thickness (-)0.25MM Thickness (-)0.010 . 1. 2. 3
6	85036B	X	Kit, Bearing	[A] Thickness (-)0.50MM Thickness (-)0.020
6	85036C	X	Kit, Bearing	[A] Thickness (-)0.75MM Thickness (-)0.030
7	ZZ90010	1	Kit, Conrod	[X] . 3. 6. 18
8		1	CONROD	(7) Not serviced, order REF.7
9		1	SUPPORT	(7) Not serviced, order REF.7
10	31134151	1	Bush	(7)
11	0095250	2	Bolt	(7)
12	33221327	2	Nut	(7)
13	68302	3	Kit, Piston	[B]
	89214	3	Kit, Piston	[C, X] 00.003.006.018
14		1	PISTON	(13) Not serviced, order REF.13
15		1	PIN	(13) Not serviced, order REF.13
16	0170001	1	Circlip	(13)
17	0170001	1	Circlip	(13)
18	41158065	3	Kit, Piston Ring	[X] . 3. 6. 18
19	31163495	1	GEAR	[X] Number of teeth/spines 25 . 1. 2. 3
20	33125151	1	SPACER	
21	36271704	1	Woodruff Key	
22	31328242	2	Weight	[D]
23	2185189	4	Screw	
24	31731515	2	Washer	
25	31731516	2	Washer	
26	31147788	1	PULLEY	
27	33176137	1	Washer	
28	32162331	1	Screw	
29	33125112	1	Washer	
30	3552228M1	1	CROWNWHEEL	Number of teeth/spines 115
31	33117127	6	Washer	

CRANKSHAFT, PISTONS AND CONNECTING RODS-AD3.152 ENGINE

Item	Part Number	Qty	Description	Comments
32	31137235	1	WASHER	(1)
32	31137236	X	WASHER	Thickness (+)0.007
33	31137245	1	WASHER	(1)
33	31137246	X	WASHER	Thickness (+)0.007

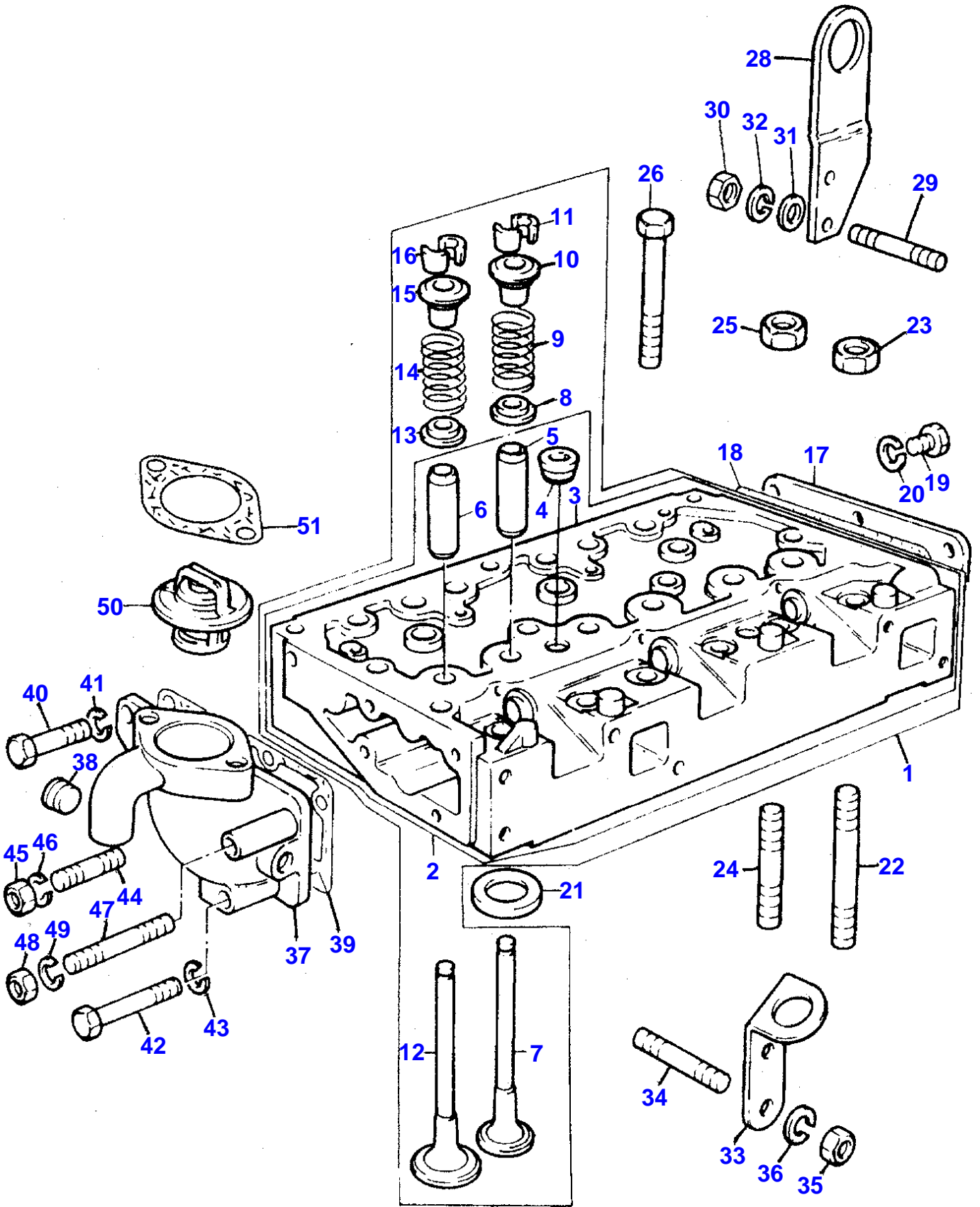
[A]
PRE-FINISHED

[B]
UNTOPPED

[C]
PRE-TOPPED

[D]
REPLACES 31328241 IN ENGINE SETS ONLY(QTY 2).

[X]
QTY PER TRACTORS SOLD (AA.BBB.CCC.DDD) (AA) FOR ,(BBB) 2-10 (CCC)
11-25 (D DD) 26-50



CYLINDER HEAD-AD3.152 ENGINE

Item	Part Number	Qty	Description	Comments
1	ZZ80082	1	Kit, Cyl. Head	
2	ZZ 80017	1	CYLINDER HEAD	(1)
3		1	CYLINDER HEAD	(2)
4	2431154	2	Plug	Not serviced, order REF.2 (2)
5	33261723	3	Guide	(2)
6	3316A031	3	GUIDE	[X] (2) . 3. 6. 18
7	3142A081	3	Valve Exhaust	[X] (1) . 3. 6. 18 . 3. 6. 18
8	33415133	3	Washer	[X] (1) . 3. 6. 18
9	0780012	3	Spring	[X] (1) . 3. 6. 18
10	33423148	3	Cap	[X] (1) . 3. 6. 18
11	0230001	6	Cotter	[A, X] (1) . 3. 6. 18
12	31431681	3	Valve Inlet	[X] (1) . 3. 6. 18
13	33415133	3	Washer	(1)
14	0780012	3	Spring	(1)
15	33423148	3	Cap	(1)
16	0230001	6	Cotter	[A] (1)
17	3612M002	1	Plate	
18	36851416	1	GASKET	
19	353517X1	6	Screw Unf	
20	0920053	6	Washer	
21	33124428	3	Insert	
22	32524132	1	Stud	
23	33221329	1	Nut	
24	32524148	3	Stud	
25	33221329	3	Nut	
26	32181457	5	Screw	
27	32181458	9	Screw	
28		1	STIRRUP	[B]
29	2216194	2	SCREW	
30	2188135	2	Nut	
31	0920004	2	Washer	
32	0920054	2	Washer	
33	36456321	1	Plate	
34	0826462	2	Stud	
35	2188135	2	Nut	
36	0920054	2	Washer	
37	37766363	1	Body	
38	2431A054	1	Plug	
39	3685A005	1	GASKET	
40	2183205	2	Screw	
41	0920053	2	Washer	
42	0096437	1	Bolt	
43	0920054	1	Washer	
44	2217072	1	Stud	
45	0576002	1	Nut	
46	0920053	1	Washer	
47	0096441	1	Bolt	
48	2188135	1	Nut	
49	0920054	1	Washer	
50	2485666	1	Thermostat	[X] . 2. 4. 16
51	36834154	1	GASKET	[X] . 2. 4. 16

[A]
SERVICED IN PAIRS
[B]
NOT SERVICED
[X]

MASSEY FERGUSON

MF 354 AQ CAB TRACTOR - 3540968

3540968

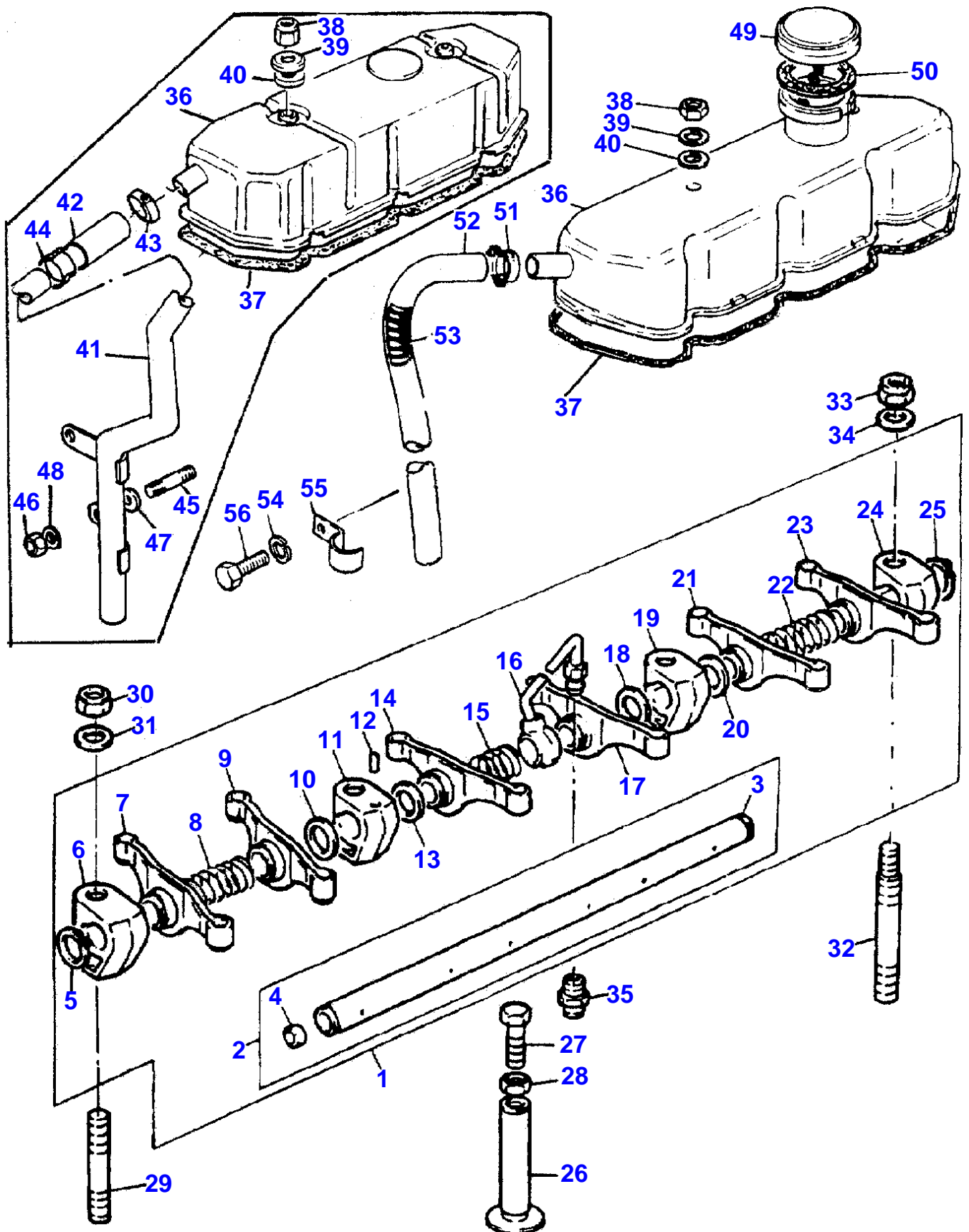
CYLINDER HEAD-AD3.152 ENGINE

5

Item Part Number Qty Description

Comments

QTY PER TRACTORS SOLD (AA.BBB.CCC.DDD) (AA) FOR ,(BBB) 2-10 (CCC)
11-25 (D DD) 26-50



ROCKER SHAFT-AD3.152 ENGINE

Item	Part Number	Qty	Description	Comments
1	4115R805	1	Rocker Shaft Ass	[X]
2	ZZ90047	1	Rocker Shaft	. 0. 1. 2 [X] (1)
3		1	SHAFT	. 1. 2. 4 (2)
4	0650507	2	Plug	Not serviced, order REF.2 [X] (2)
5	0170033	1	Circlip	. 2. 4. 8 (1)
6	0101138	1	Bracket	(1)
7	3737A091	1	Lever	(1) Right Hand
8	0780005	1	Spring	(1)
9	3737A091	1	Lever	(1) Right Hand
10	0330505	1	Spacer	(1)
11	37521212	1	Bracket	(1)
12	2112A066	1	Pin	(1)
13	0330505	1	Spacer	(1)
14	3737A101	1	Lever	(1) Left Hand
15	0780175	1	Spring	(1)
16	35568352	1	Pipe,Oil	(1)
17	3737A091	1	Lever	(1) Right Hand
18	0330505	1	Spacer	(1)
19	0101138	1	Bracket	(1)
20	0330505	1	Spacer	(1)
21	3737A101	1	Lever	(1) Left Hand
22	0780005	1	Spring	(1)
23	3737A101	1	Lever	(1) Left Hand
24	0101138	1	Bracket	(1)
25	0170033	1	Circlip	(1)
26	0860012	6	Tappet	[X] . 2. 4. 8
27	32151116	6	Screw	
28	0576052	6	Nut	
29	2214209	2	Stud	
30	2211283	2	Nut	
31	0920004	2	Washer	
32	32754435	2	Stud	
33	2211283	2	Nut	
34	0920004	2	Washer	
35	0206002	1	Union	
36	37188557	1	COVER	Up to Serial or Engine Number 31/01/94
	37188197	1	COVER	From Serial or Engine Number 01/02/94
37	36811115	1	Joint	[X] . 2. 4. 10
38	0576102	2	Nut	
39	3314P004	2	Washer	
40	3381A003	2	Washer	
41	35732479	1	Pipe	Up to Serial or Engine Number 31/01/94
42	0202058	1	Hose	Up to Serial or Engine Number 31/01/94
43	21825195	1	Clip	Up to Serial or Engine Number 31/01/94
44	21825195	1	Clip	Up to Serial or Engine Number 31/01/94
45	2217572	1	STUD	Up to Serial or Engine Number 31/01/94
46	0576002	1	Nut	Up to Serial or Engine Number 31/01/94
47	0920460	1	SPACER	Up to Serial or Engine Number 31/01/94
48	0920053	1	Washer	Up to Serial or Engine Number 31/01/94
49	2487854	1	Cap	(36) From Serial or Engine Number 01/02/94
50	24870001	1	Joint	(49) From Serial or Engine Number 01/02/94
51	21825195	1	Clip	From Serial or Engine Number 01/02/94
52	33872516	1	Pipe,Breather	From Serial or Engine Number 01/02/94
53	31754118	1	Spring	From Serial or Engine Number 01/02/94
54	0920053	1	Washer	From Serial or Engine Number 01/02/94

MASSEY FERGUSON

MF 354 AQ CAB TRACTOR - 3540968

3540968

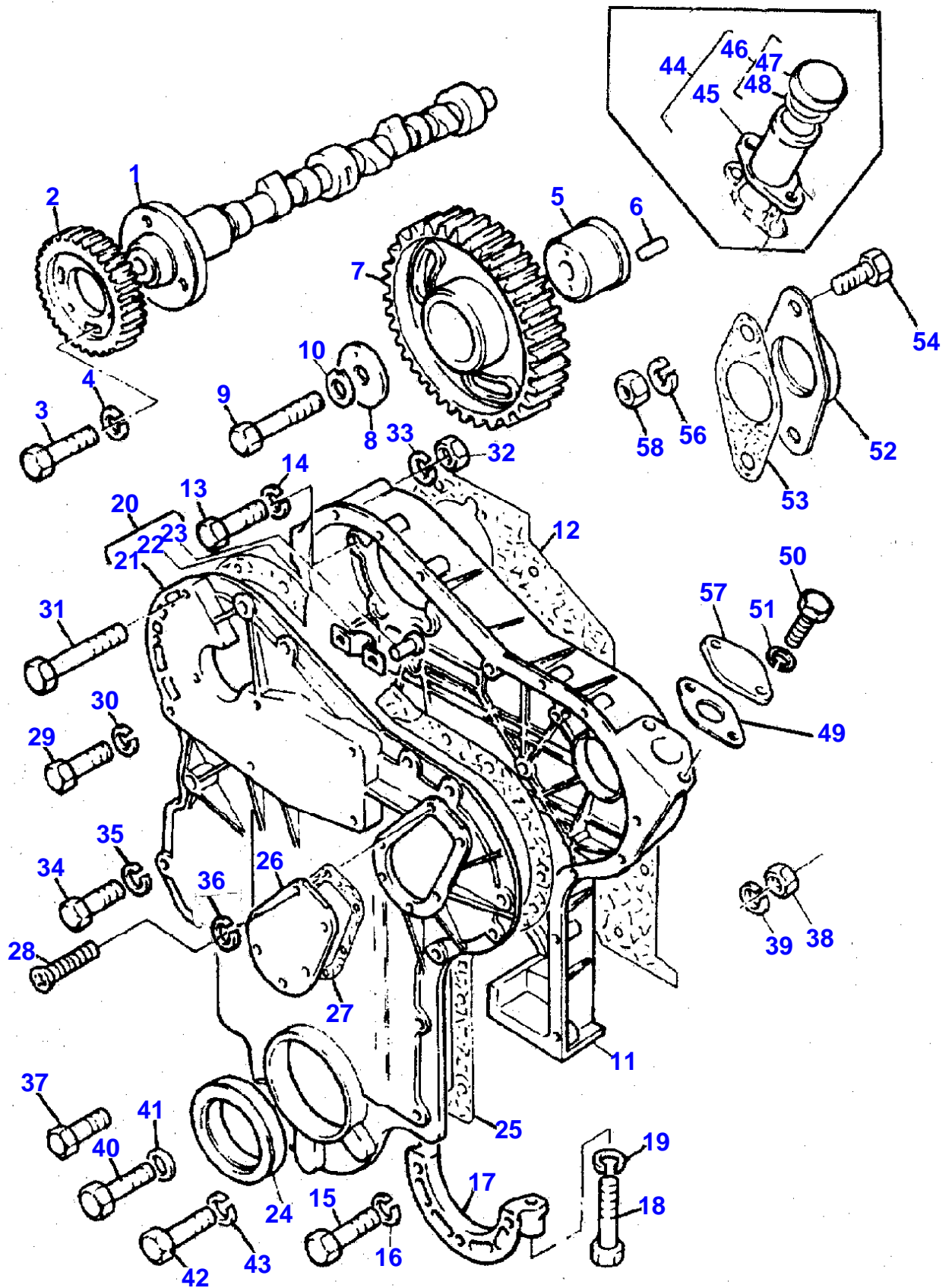
ROCKER SHAFT-AD3.152 ENGINE

6

Item	Part Number	Qty	Description	Comments
55	36561129	2	Clip	From Serial or Engine Number 01/02/94
56	2233204	1	Screw	From Serial or Engine Number 01/02/94

[X]

QTY PER TRACTORS SOLD (AA.BBB.CCC.DDD) (AA) FOR ,(BBB) 2-10 (CCC)
11-25 (D DD) 26-50



TIMING GEAR AND CAMSHAFT-AD3.152 ENGINE

Item	Part Number	Qty	Description	Comments
1	31415264	1	Camshaft	
2	0410241	1	Gear,Camshaft	[A, C] Number of teeth/spines 50
2	31164131	1	GEAR	[B, D] Number of teeth/spines 50
3	0746214	3	Screw	
4	0920053	3	Washer	
5	0995447	1	Hub	
6	0350005	1	Dowel	
7	31164362	1	Gear,Idler	[A, C] Number of teeth/spines 90
7	4111A015	1	Gear,Idler	[B, D] Number of teeth/spines 90
8	0940738	1	Plate	
9	0095199	1	Screw	
10	0920883	1	Washer	
11	37161481	1	Timing Case	
12	36814161	1	GASKET	[X] . 1. 2. 8
13	0746355	12	Screw	
14	0920053	12	Washer	
15	0096234	2	Bolt	
16	0920053	2	Washer	
17	37354312	1	Timinggear Cover	
18	0746259	2	SCREW	
19	0920053	2	Washer	
20	ZZ90039	1	Kit, Front Cover	
21		1	GUARD	(20) Not serviced, order REF.20
22	3661P002	1	Spring	(20)
23	2126151	1	Rivet	(20)
24	2415344	1	Seal	[X] . 1. 2. 8
25	36813158	1	GASKET	[X] 00.001.002.008 From Serial or Engine Number 01/02/94
26	36234114	1	Blanking Cover	From Serial or Engine Number 01/02/94
27	36862572	1	GASKET	
28	2227117	6	Screw	Up to Serial or Engine Number 31/01/94
	2233103	6	Screw	From Serial or Engine Number 01/02/94
29	0748414	2	Setscrew	
30	0920053	2	Washer	
31	0096213	1	Bolt	
32	0576002	1	Nut	
33	0920053	1	Washer	
34	0748354	8	Screw	
35	0920052	8	Washer	
36	0920052	6	Washer	From Serial or Engine Number 01/02/94
37	0748510	2	Bolt	
38	2238153	2	Nut	
39	0920054	2	Washer	
40	2233207	1	Screw	
41	2411152	1	Washer	
42	2233207	3	Screw	
43	0920053	3	Washer	
44	35784123	1	Filler	Up to Serial or Engine Number 31/01/94
45		1	FILLER	(44) Not serviced, order REF.44 Up to Serial or Engine Number 31/01/94
46	2487854	1	Cap	(44) Up to Serial or Engine Number 31/01/94
47		1	CAP	(46) Not serviced, order REF.46 Up to Serial or Engine Number 31/01/94
48	24870001	1	Joint	(46) Up to Serial or Engine Number 31/01/94
49	36837413	1	Joint	
50	2183204	2	Screw	
51	0920053	2	Washer	
52	37461104	1	Plate	

MASSEY FERGUSON

MF 354 AQ CAB TRACTOR - 3540968

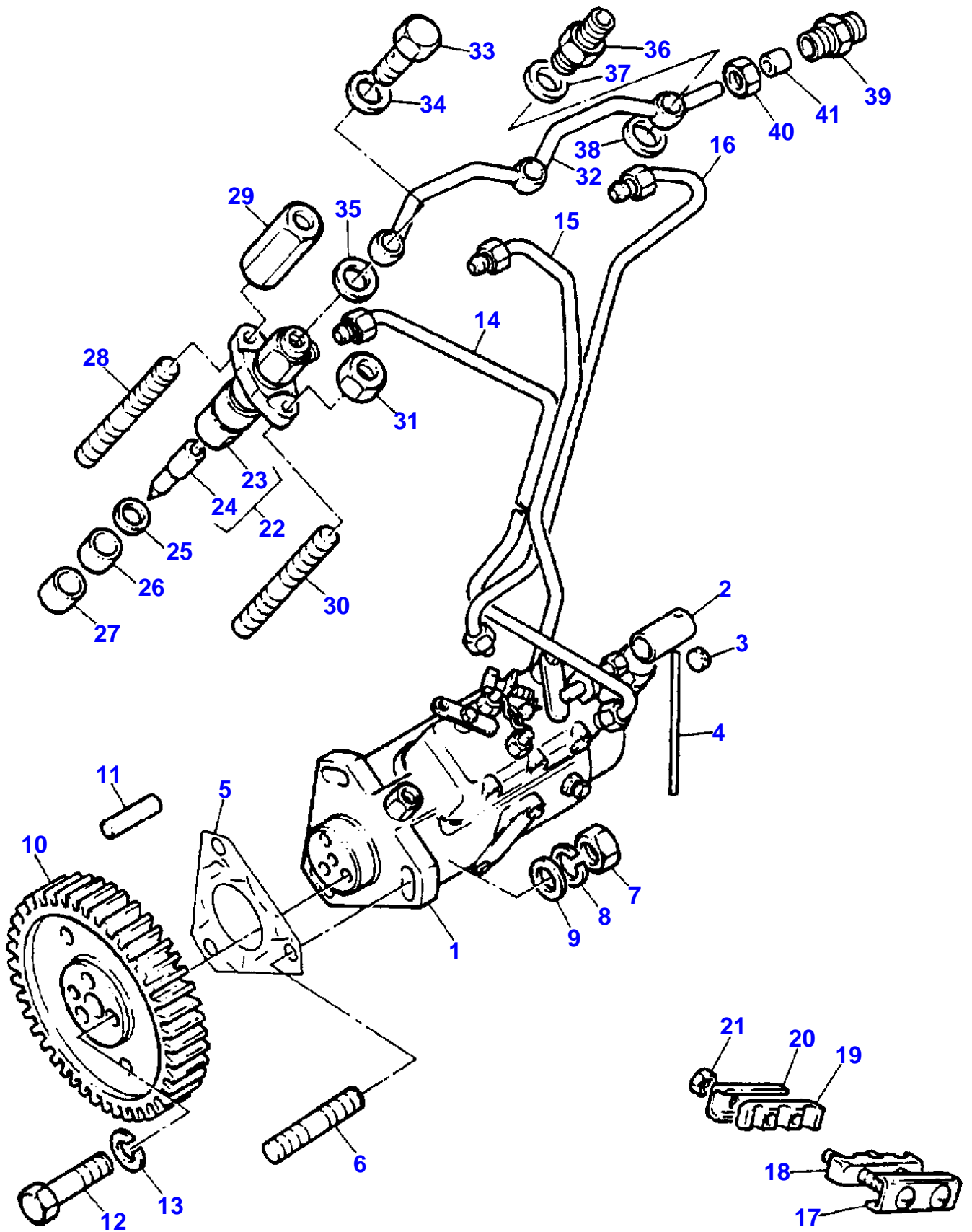
3540968

TIMING GEAR AND CAMSHAFT-AD3.152 ENGINE

7

Item	Part Number	Qty	Description	Comments
53	36835432	1	GASKET	
54	0748510	2	Bolt	
55	2238153	2	Nut	
56	0920054	2	Washer	
57	36172128	1	Plate	From Serial or Engine Number 01/02/94

[A]
FOR ENGINES BUILT TO BUILD LIST CE31197 (3553118M 1).
[B]
FOR ENGINES BUILT TO BUILD LIST CE31212 (3553128M 1).
[C]
STD.HYDRAULIC LINES
[D]
SINGLE HYDRAULIC LINES
[X]
QTY PER TRACTORS SOLD (AA.BBB.CCC.DDD) (AA) FOR ,(BBB) 2-10 (CCC)
11-25 (D DD) 26-50



FUEL INJECTION EQUIPMENT-AD3.152 ENGINE

Item	Part Number	Qty	Description	Comments
1	2643B133	1	Injection Pump	
2	3281M002	1	SLEEVE	
3	31718104	1	Seal	
4	31718105	1	Wire	
5	3687H011	1	GASKET	
6	2217575	3	Stud	
7	0576002	3	Nut	
8	390972X1	3	Washer Metric	
9	0920053	3	Washer	
10	31164632	1	Gear,Fuel Pump	[A, C]
				Number of teeth/spines 50
10	3116K082	1	GEAR	[B, D]
				Number of teeth/spines 50
11	0350010	1	Dowel	
12	0746211	3	Bolt	
13	0920053	3	Washer	
14	3521E018	1	PIPE	[X]
				NO.1 CYL. . 3. 6. 18
15	3521E019	1	PIPE	[X]
				NO.2 CYL. . 2. 6. 18
16	3521E021	1	PIPE	[X]
				NO.3 CYL. . 3. 6. 18
17	38631117	1	Plate	
18	36845115	1	Clip	
19	36845115	1	Clip	
20	36511127	1	Plate	
21	2211401	2	Nut	
22	2645C021	3	ATOMISER	[X]
				Up to Serial or Engine Number U860255U . 3. 6. 18
22	2645C021	3	ATOMISER	[X]
				From Serial or Engine Number U860256U 00.003.006.018
23	2645C305	1	SUPPORT	(22)
				Up to Serial or Engine Number U860255U
23	2645L301	1	SUPPORT	(22)
				From Serial or Engine Number U860256U
24	2645L604	1	NOZZLE	(22)
				Up to Serial or Engine Number U860255U
24	2645L604	1	NOZZLE	(22)
				From Serial or Engine Number U860256U
25	0921173	3	Washer	[X]
				. 3. 6. 18
26	33813126	3	Spacer	[X]
				. 3. 6. 16
27	33813127	3	Seal	[X]
				. 3. 6. 18
28	2216105	3	Stud	
29	32726512	3	Nut	
30	2216105	3	Stud	
31	353916X1	3	Nut Unf	
32	0576002	1	Nut	[X]
				. 3. 6. 18
33	0095315	2	Banjo Bolt	
34	0920107	2	Washer	
35	0920107	2	Washer	
36	0201526	1	Union	
37	0920107	1	Washer	
38	0920107	1	Washer	

[A]
FOR ENGINES BUILT TO BUILD LIST CE31197 (3553118M 1).
[B]
FOR ENGINES BUILT TO BUILD LIST CE31212 (3553128M 1).
[C]
STD.HYDRAULIC LINES

MASSEY FERGUSON

MF 354 AQ CAB TRACTOR - 3540968

3540968

FUEL INJECTION EQUIPMENT-AD3.152 ENGINE

8

Item	Part Number	Qty	Description	Comments
				[D] SINGLE HYDRAULIC LINES
				[X] QTY PER TRACTORS SOLD (AA.BBB.CCC.DDD) (AA) FOR ,(BBB) 2-10 (CCC) 11-25 (D DD) 26-50



Suggest:

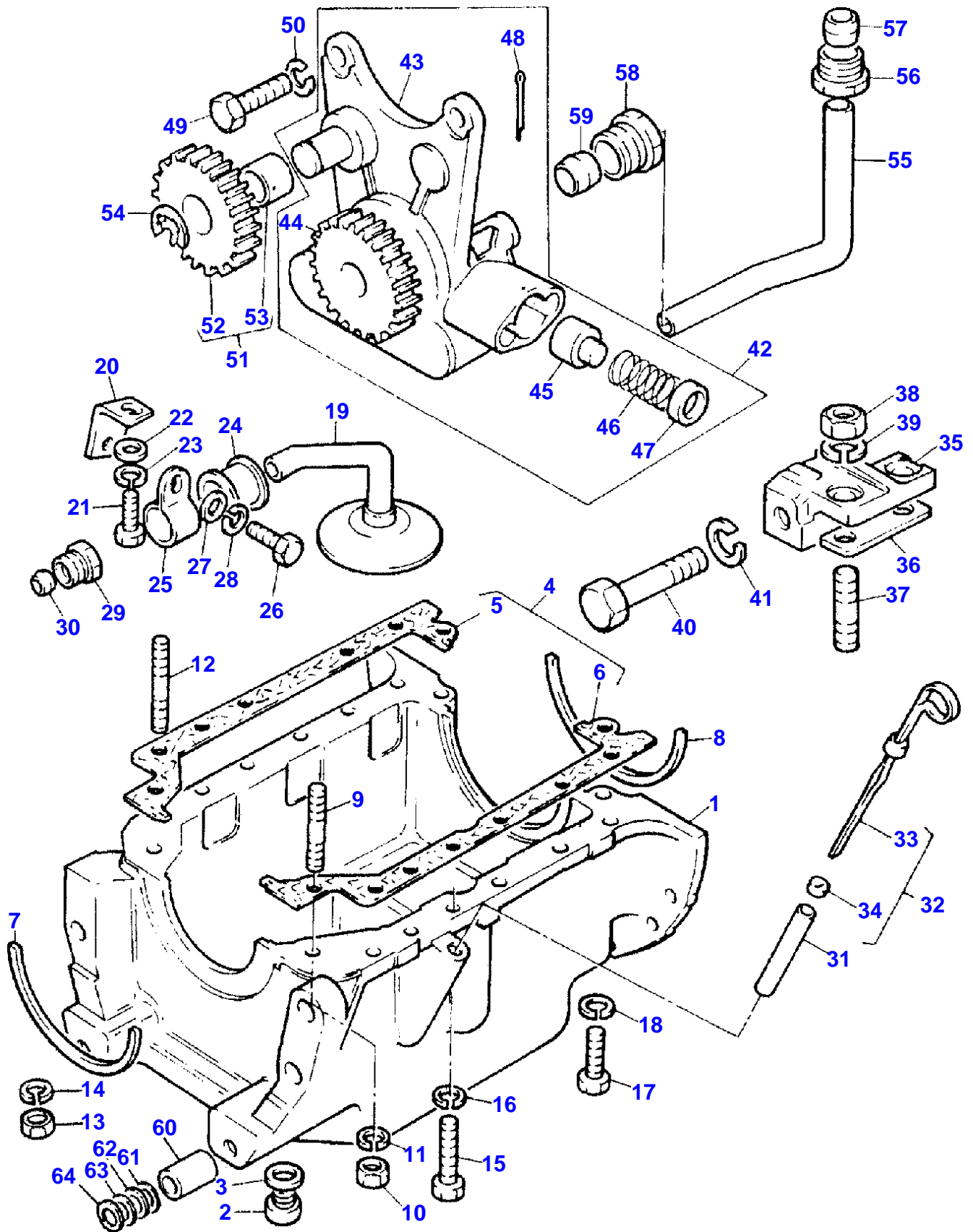
If the above button click is invalid.

Please download this document

first, and then click the above link

to download the complete manual.

Thank you so much for reading



<https://www.ebooklibonline.com>

Hello dear friend!

Thank you very much for reading.

Enter the link into your browser.

The full manual is available for immediate download.

<https://www.ebooklibonline.com>