

OPERATOR'S MANUAL

ROTARY TILLERS

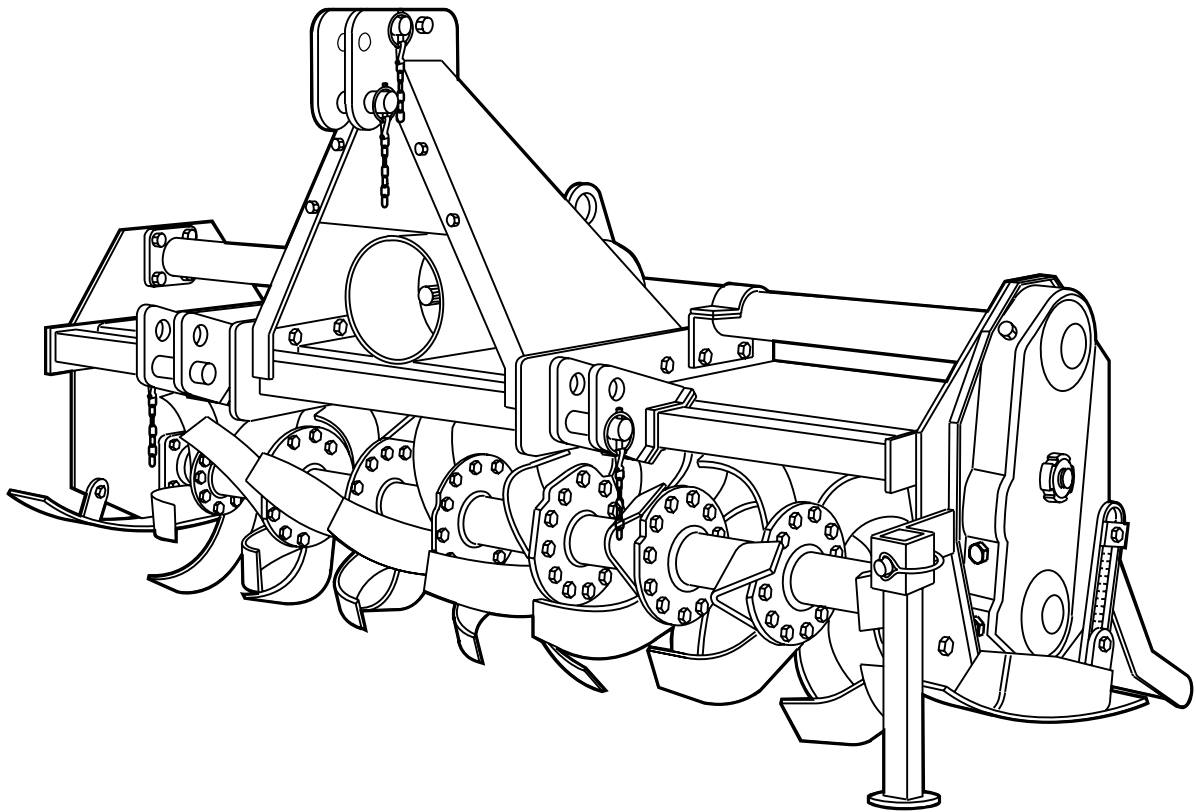
RT 1173

RT 1273

RT 2293

RT 1181

RT 2283



FRONTIER
EQUIPMENT

Cod. F07010857 / Rev. 00 (2011-04)

THIS MANUAL IS ALSO APPLICABLE TO FRONTIER TILLERS WITH MODEL NUMBERS ENDING IN A 'C'.

TABLE OF CONTENTS

Technical specification		Tilling tips	20
Technical specification	4	During tilling	20
Technical specification - Hitch	6	Replacement parts	20
Safety signs		Service Machine Safely	
Safety-Alert simbol	7	Practice safe maintenance	21
Identification machine	7	Wear appropriate clothing	21
Machine safety labels	7	Stay clear of rotating drivelines	21
Machine safety labels and positions		Service lubrication	
Machine safety labels and positions	8	Service lubrication	22
Preparing the vehicle		Every 8 work hours	22
Preparing the tractor	10	Every 50 work hours	22
Park vehicle safety	10	Every 400 work hours	22
Stay clear of rotating drivelines	10	Every 1000 work hours	22
Installing		Greasing and lubricant points	23
Installing tiller on tractor	10	Lubricants	23
PTO shaft	12	Screw tightening torques	23
PTO shaft with clutch	13	Service	
Quick Coupler (optional)	14	Chain stretcher	24
Park vehicle safety	14	Service intervals	24
Stay clear of rotating drivelines	14	Replacing tines	24
Removing		Tines	24
Removing tiller	15	Troubleshooting	
Removing tiller with Quick Coupler	15	Using troubleshooting chart	25
Operating		Storing machine	
Operate safely	16	Storing tiller	26
Wear appropriate clothing	17	Removing tiller from storage	26
Stay clear of rotating drivelines	17	Assembly / Spare parts	
Raising parking stand	17	RT 1173-1181-1273-2283-2293	27
Lowering parking stand	17	Lift hook assembly procedure	29
Levelling attachments (side-to-side)	17	Installing driveline on tiller	29
Levelling tiller (front-to-rear)	18	Spare parts	29
Adjusting skid shoes	18		
Adjusting levelling board	18		
Spring ram	19		
Change speed	19		

TO THE DEALER:

Assembly and proper installation of this product is the responsibility of the Frontier dealer. Read manual instruction and safety rules. Make sure all items on the Dealer's Pre-Delivery Check List in the Operator's Manual are completed before releasing equipment to the owner.

The dealer must complete the Warranty Registration, located on the Frontier website. **Warranty claims will be denied if the Warranty Registration has not been completed.**

TO THE OWNER:

Read this manual before operating your frontier equipment. The information presented will prepare you to do a better and a safer job. Keep this manual handy for ready reference. Require all operators to read this manual carefully and become acquainted with all the adjustment and operating procedures before attempting to operate. Replacement manuals can be obtained from your selling dealer.

The equipment you have purchased has been carefully engineered and manufactured to provide dependable and satisfactory use. Like all mechanical products, it will require cleaning and upkeep. Lubricate the unit as specified. Observe all safety information in this manual and safety decals on the equipment.

For service, your authorized Frontier dealer has trained mechanics, genuine Frontier service parts, and the necessary tools and equipment to handle all your needs.

Use only genuine Frontier service parts. Substitute parts will void the warranty and may not meet standards required for safe and satisfactory operation. Record the model number and serial number of your equipment in the spaces provided:

Model: _____ **Date of Purchase** _____
Serial Number: (see Safety Decal section for location) _____

Provide this information to your dealer to obtain correct repair parts.

Throughout this manual, the term **IMPORTANT** is used to indicate that failure to observe can cause damage to equipment. The terms **CAUTION**, **WARNING** and **DANGER** are used in conjunction with the Safety-Alert Symbol, (a triangle with an exclamation mark), to indicate the degree of hazard for items of personal safety.



This Safety-Alert Symbol indicates a hazard and means **ATTENTION! BECOME ALERT! YOUR SAFETY IS INVOLVED!**



Indicates an imminently hazardous situation that, if not avoided, will result in death or serious injury.



WARNING

Indicates a potentially hazardous situation that, if not avoided, could result in death or serious injury, and includes hazards that are exposed when guards are removed.



CAUTION

Indicates a potentially hazardous situation that, if not avoided, may result in minor or moderate injury.

IMPORTANT

Indicates that a failure to observe can cause damage to equipment.

NOTE

Indicates helpful information.

<https://www.ebooklibonline.com>

Hello dear friend!

Thank you very much for reading.

Enter the link into your browser.

The full manual is available for immediate download.

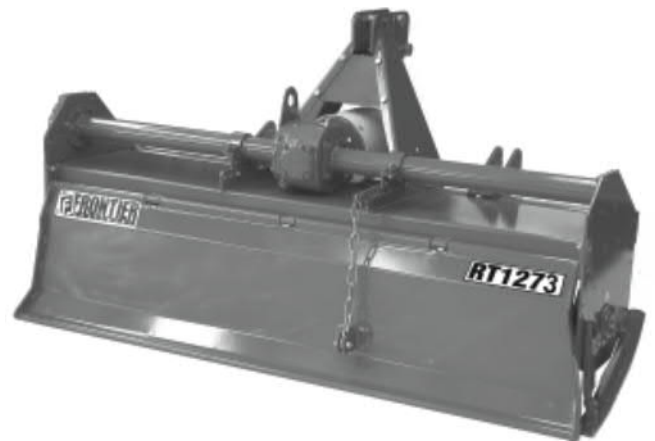
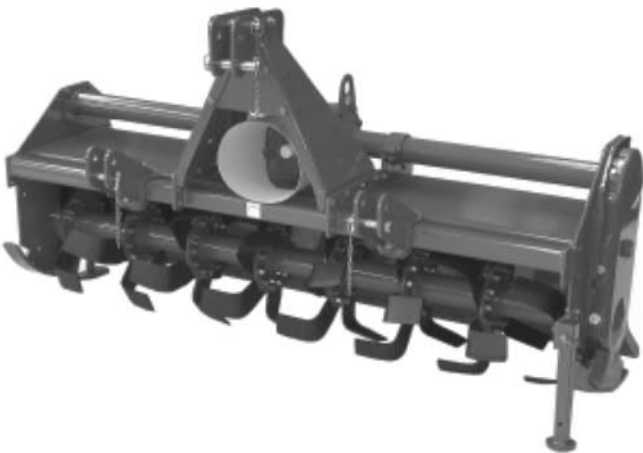
<https://www.ebooklibonline.com>

TECHNICAL SPECIFICATIONS

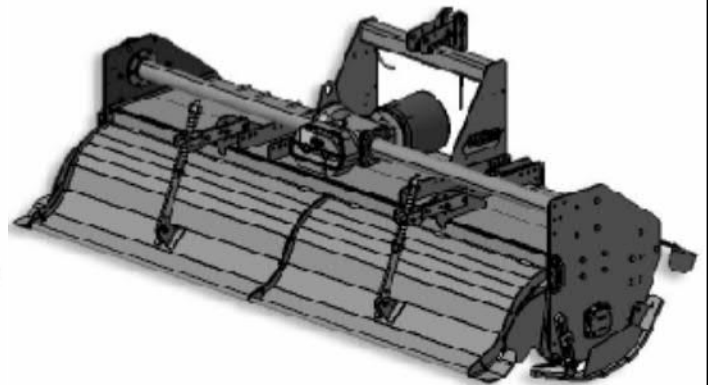
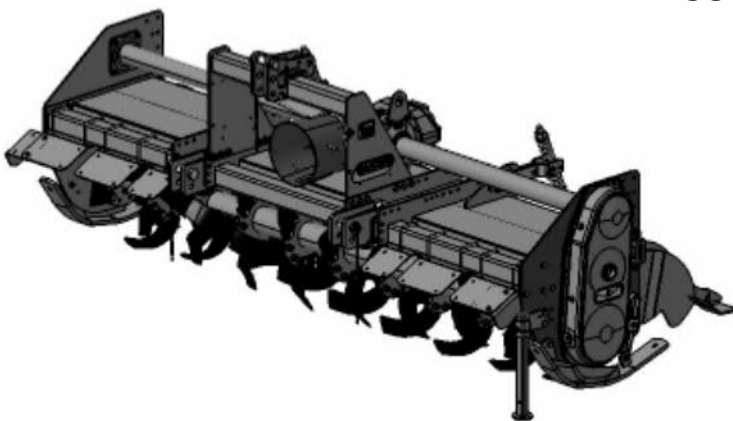
RT 1173 - 1181



RT 1273



RT 2283 - 2293



TECHNICAL SPECIFICATIONS

RT 1173 - 1181

<i>Model</i>	<i>Work/width inches</i>	<i>Tractor HP min</i>	<i>Tractor HP max</i>	<i>Weight lbs.</i>	<i>Side Drive</i>	<i>PTO shaft</i>	<i>Speeds gear box</i>	<i>Input speed</i>	<i>Hitch</i>	<i>Tines STD</i>	<i>Rotor blades</i>	<i>Rotor flanges</i>
RT 1173	73	45	60	761	Chain ASA 100	Slip Clutch	Single	540	Cat. "II" Quick coupler	"C"	6	10
RT 1181	81	50	60	810	Chain ASA 100	Slip Clutch	Single	540	Cat. "II" Quick coupler	"C"	6	11

RT 1273

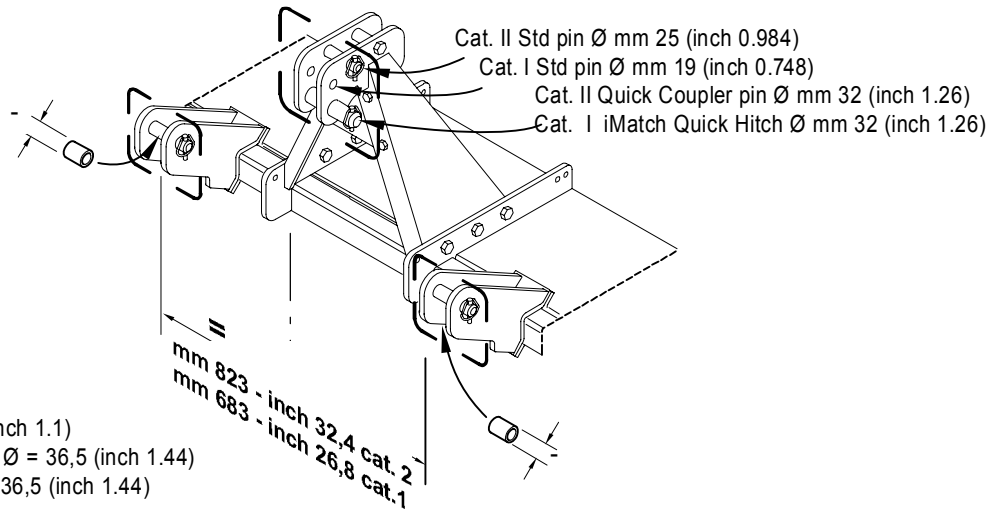
<i>Model</i>	<i>Work/width inches</i>	<i>Tractor HP min</i>	<i>Tractor HP max</i>	<i>Weight lbs.</i>	<i>Side Drive</i>	<i>PTO shaft</i>	<i>Speeds gear box</i>	<i>Input speed</i>	<i>Hitch</i>	<i>Tines STD</i>	<i>Rotor blades</i>	<i>Rotor flanges</i>
RT 1273	73	30-70	80	968	Gear	Slip Clutch	Single	540	Cat. "II" Quick coupler	"L"	6	7

RT 2283 - 2293

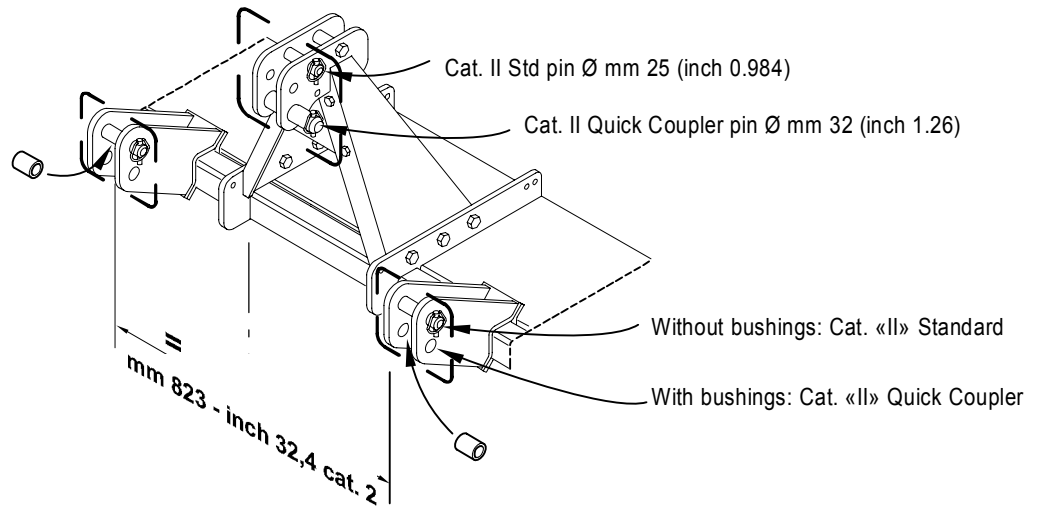
<i>Model</i>	<i>Work/width inches</i>	<i>Tractor HP min</i>	<i>Tractor HP max</i>	<i>Weight lbs.</i>	<i>Side Drive</i>	<i>PTO shaft</i>	<i>Speeds gear box</i>	<i>Input speed</i>	<i>Hitch</i>	<i>Tines STD</i>	<i>Rotor blades</i>	<i>Rotor flanges</i>
RT 2283	83	30-70	80	1397	Gear	Slip Clutch	Multi	540	Cat. "II" Quick coupler	"L"	6	8
RT 2293	93	40-80	100	1496	Gear	Slip Clutch	Multi	540	Cat. "II" Quick coupler	"L"	6	9

TECHNICAL SPECIFICATIONS - HITCH

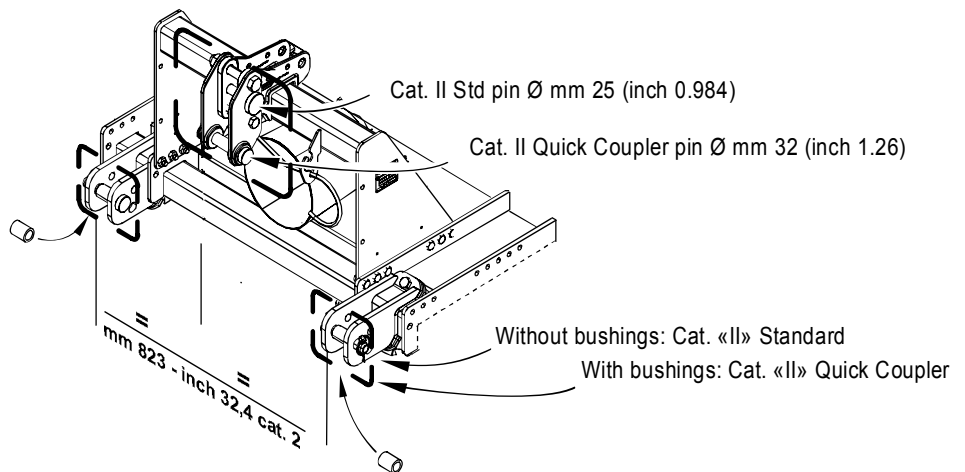
RT 1173 - 1181: Cat. «I» Standard and iMatch Quick Hitch; Cat. «II» Standard and Quick Coupler



RT 1273 : Cat. «II» Standard and Quick Coupler



RT 2283 - 2293 : Cat. «II» Standard and Quick Coupler



SAFETY SIGNS

Safety-alert symbol

Read and recognize safety information.

Be alert to the potential for personal injury when you see this safety-alert symbol.



On your machine safety labels, the words DANGER, WARNING, and CAUTION are used with safety-alert symbol.

DANGER identifies the most serious hazards. In this manual, the word CAUTION and this symbol call attention to safety messages.

Identification machine

Identification plate machine

Machine safety labels

1) WARNING: AVOID INJURY FROM ROTATING KNIVES:

- Keep hands, feet and clothing away.

2) WARNING: AVOID INJURY FROM PTO:

- Keep all shields in place. Keep hands, feet and clothing away.
- Operate only with 540 RPM.

3) CAUTION: AVOID INJURY

- Read Operator's Manual
- Ballast power unit per operator's manual
- Know location and function of controls
- Keep all shields in place
- Stay clear of power driven parts
- Never carry riders
- Keep people and pets a safe distance away from machine

BEFORE DISMOUNTING OR SERVICING

- Shut off engine and remove key
- Lock brake for park
- Lower or block up machine

4) DANGER: ROTATING DRIVELINE - CONTACT CAN CAUSE DEATH - KEEP AWAY! - DO NOT OPERATE WITHOUT:

- All driveline, tractor and equipment shields in place
- Drivelines securely attached at both ends
- Drivelines shields that turn freely on driveline.

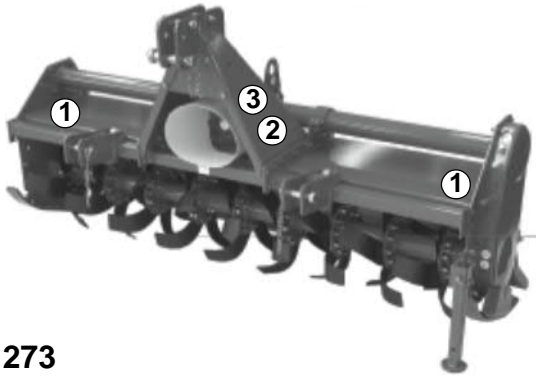
5) DANGER: SHIELD MISSING DO NOT OPERATE

Picture Note: Separate telescoping driveshaft members to locate safety label. Label attached to outer profile tube.



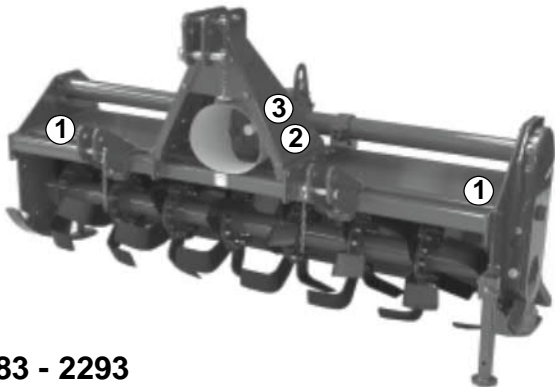
MACHINE SAFETY LABELS AND POSITIONS

RT 1173 - 1181



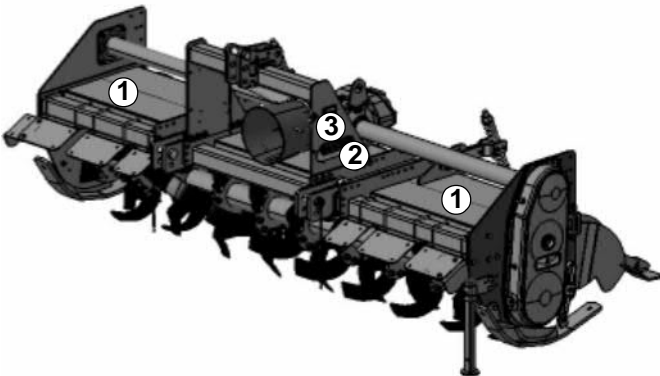
1

RT 1273

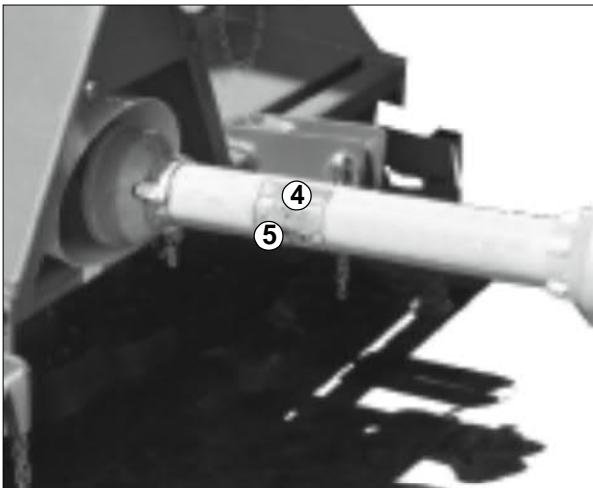


2

RT 2283 - 2293



3



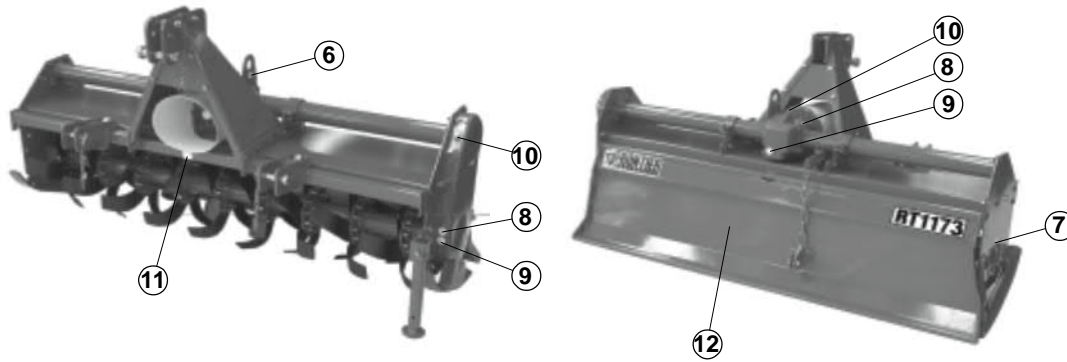
4



5

MACHINE SAFETY LABELS AND POSITIONS

RT 1173 - 1181

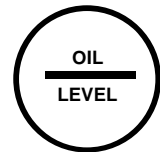
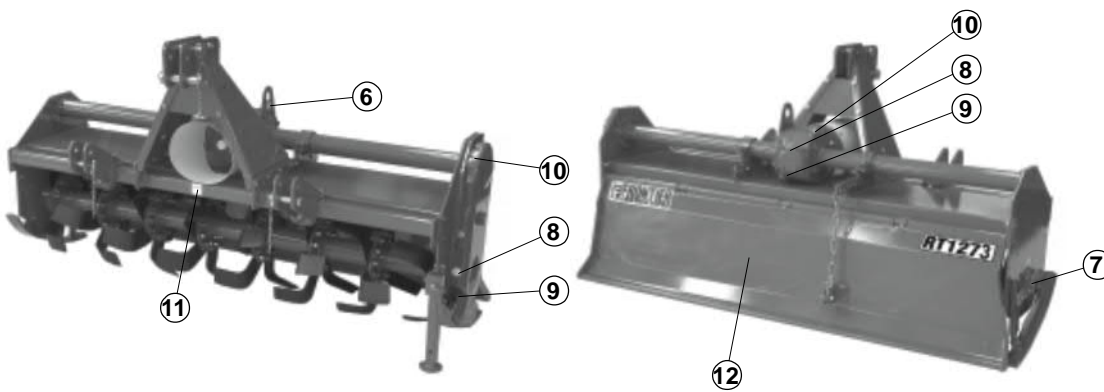


6

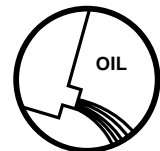


7

RT 1273

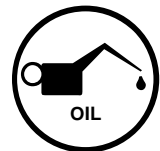
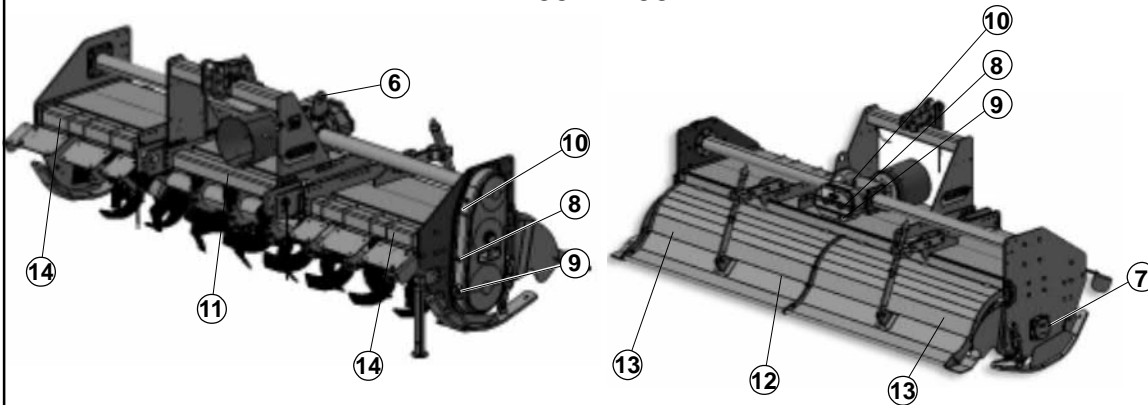


8



9

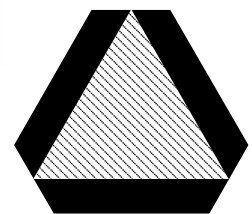
RT 2283 - 2293



10



11



12



13



14

- 6) Coupling point for lifting (indicating the maximum capacity)
- 7) Greasing point / Oil fill and level plugs
- 8) Oil level plug
- 9) Oil drain plug
- 10) Oil fill plug
- 11) Number of revolutions of power takeoff
- 12) Warning, slow machine
- 13) Red strip (only for model: 2293)
- 14) Amber strip (only for model: 2293)

PREPARING THE VEHICLE

Preparing the tractor



CAUTION: Avoid injury. Proper ballasting is required for safe operation of your tiller

IMPORTANT: Refer to the tractor operator manual for proper ballasting information and tire inflation

- A 540 rpm PTO
- Refer to the tractor operator manual for correct ballasting and tire pressure, depending on installed equipment.

Park vehicle safety

- Stop vehicle on a level surface, not on a slope.
- Disengage PTO.
- Engage the park brake.
- STOP the engine.
- Remove the key.
- Before you leave the operator's seat, wait for engine and all moving parts to STOP.

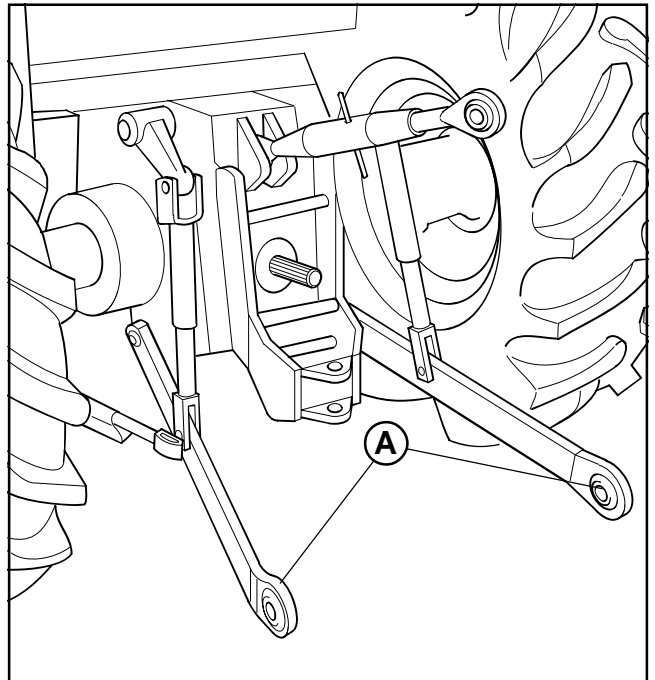
Stay clear of rotating drivelines

Entanglement in rotating driveline can cause serious injury or death:

- Wear close fitting clothing.
- STOP the engine and be sure PTO driveline is stopped before getting near it.

Installing tiller on tractor

1. Back tractor into position and align draft links (A) with draft link brackets on tiller using tractor rockshaft control.



CAUTION: Before you work around hitch:



- STOP engine.
- LOCK park brake.
- FIRMLY block tiller on horizontal surface.

Locate driller pin in holes (B).

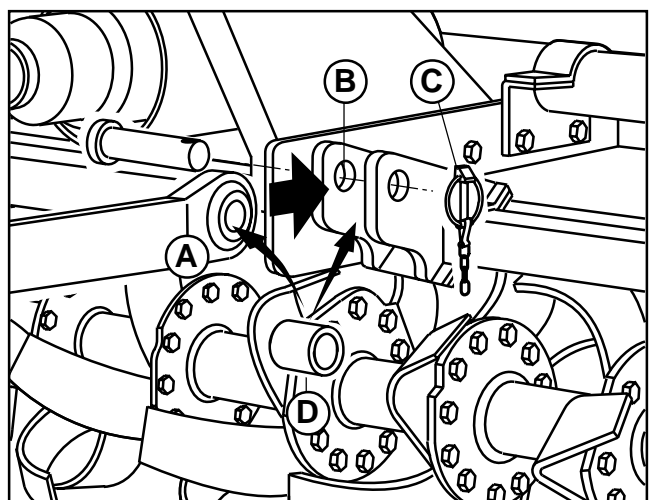
RT 1173 - 1181 model:

2. Insert bushings (D) in each draft links then fasten each draft link to draft link brackets with drilled pins and quiklock pins (C).

For cat. «I» Standard bushings $\varnothing = 28$ (inch 1.102)

For cat. «II» Quick Coupler bushings $\varnothing = 36,5$ (inch 1.437)

For cat. «I» iMatch Quick Hitch $\varnothing = 36,5$ (inch 1.437)





Suggest:

If the above button click is invalid.

Please download this document

first, and then click the above link

to download the complete manual.

Thank you so much for reading

INSTALLING

Locate driller pin in top lift brackets holes (B).

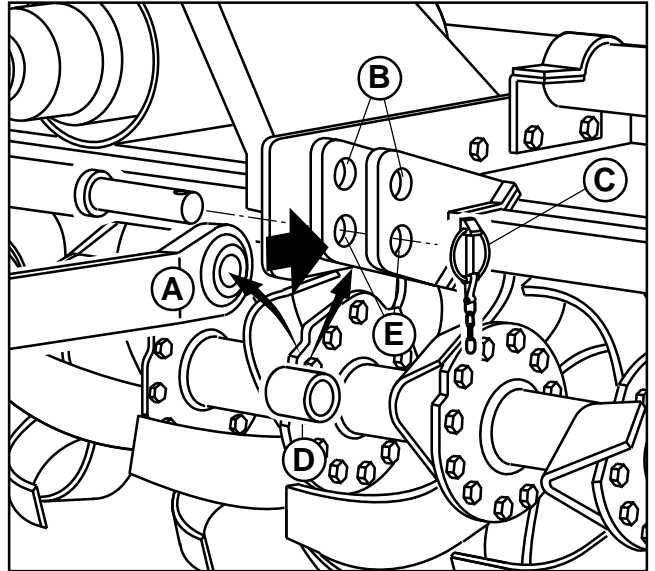
RT 1273 model (Cat. «II» Std.):

2. Fasten each draft link (A) to draft link brackets with drilled pins and quiklock pins (C).

Locate driller pin in lower lift brackets holes (E).

RT 1273 model (Cat. «II» Quick Coupler):

2. Insert bushings (D) in each draft links (A) than fasten each draft link to draft link brackets with drilled pins and quiklock pins (C).



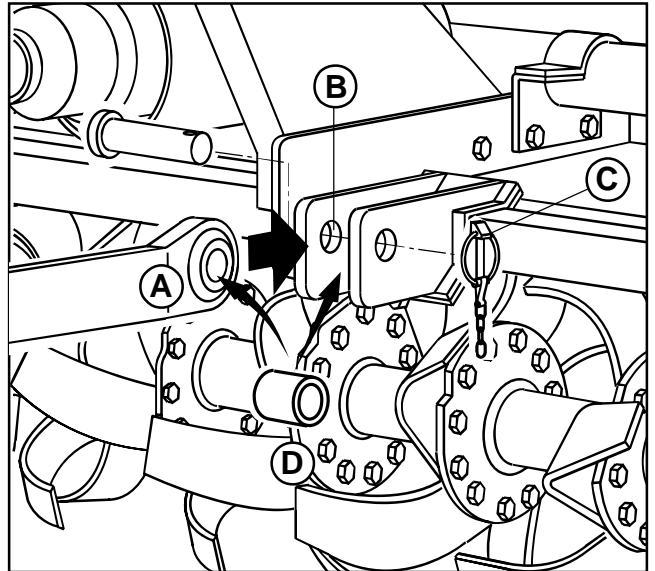
Locate driller pin in holes (B).

RT 2283-2293 model (Cat. «II» Std.):

2. Fasten each draft link (A) to draft link brackets with drilled pins and quiklock pins (C).

RT 2283-2293 model (Cat. «II» Quick Coupler):

2. Insert bushings (D) in each draft links (A) than fasten each draft link to draft link brackets with drilled pins and quiklock pins (C).



Locate driller pin in top holes (D)

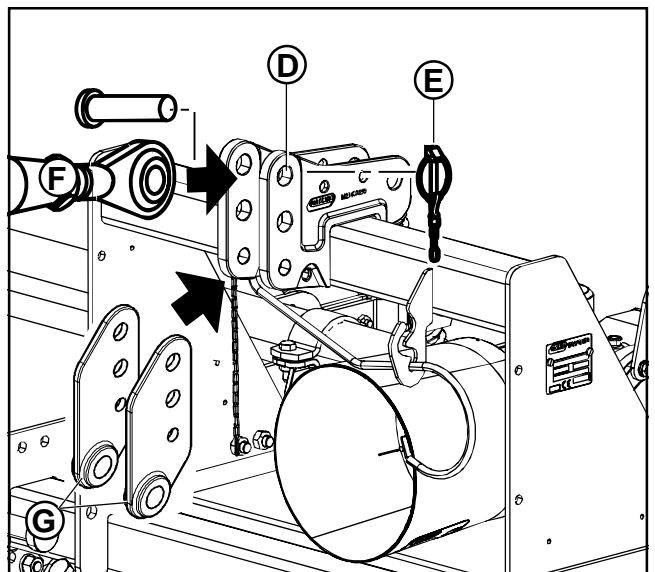
RT 2283-2293 model (Cat. «II» Std.):

3. Install center link (F) on tiller and fasten with drilled pin and quiklock pin (E).

Locate driller pin in top holes (G)

RT 2283-2293 model (Cat. «II» Quick Coupler):

3. Install center link (F) on tiller and fasten with drilled pin and quiklock pin (E).



<https://www.ebooklibonline.com>

Hello dear friend!

Thank you very much for reading.

Enter the link into your browser.

The full manual is available for immediate download.

<https://www.ebooklibonline.com>