

# Parts Manual

---

## **TH580B TELEHANDLER**

---

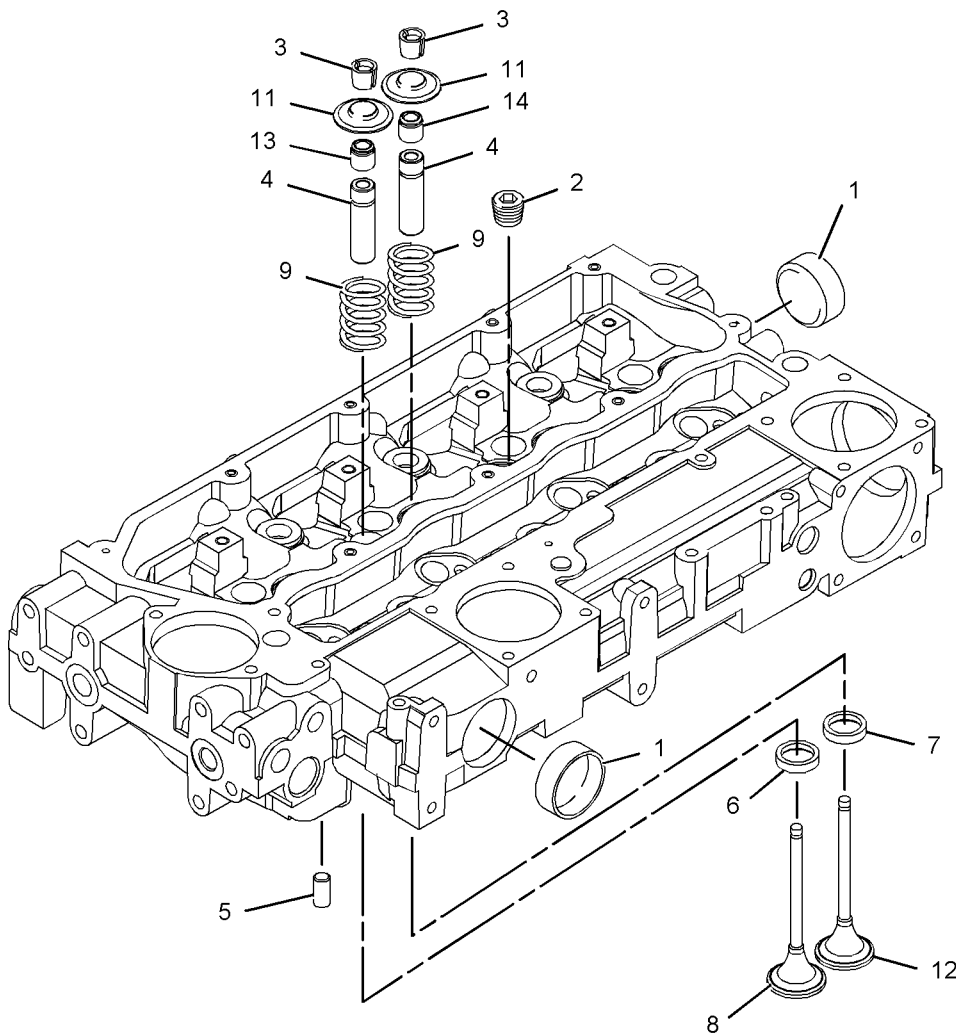
S/N TBJ00100 thru TBJ00408

# BASIC ENGINE

## 225-5505 CYLINDER HEAD GP

PART OF 225-5504, 234-2672 CYLINDER HEAD GP  
AN ATTACHMENT

NOTE	REF NO	GRAPHIC REF	PART NUMBER	QTY	PART NAME						SEE PAGE
					1	2	3	4	5	6 (PRODUCT LEVEL)	
	1	1	9Y-5015	2	PLUG-FREEZE						
	2	1	067-6006	4	PLUG						
	3	1	147-1979	16	RETAINER-VALVE SPRING						
	4	1	185-0882	8	GUIDE-VALVE (INTAKE)						
	5	1	185-0884	2	DOWEL						
	6	1	225-5493	4	INSERT-VALVE (INLET)						
	7	1	225-5494	4	INSERT-VALVE (EXHAUST)						
	8	1	225-5495	4	VALVE-INLET						
	9	1	225-5496	8	SPRING-VALVE						
	11	1	225-5498	8	CAP						
	12	1	225-5499	4	VALVE-EXHAUST						
	13	1	252-6438	4	SEAL-INLET VALVE						
	14	1	254-3954	4	SEAL-EXHAUST VALVE						



GRAPHIC #1

<END>

g01095858

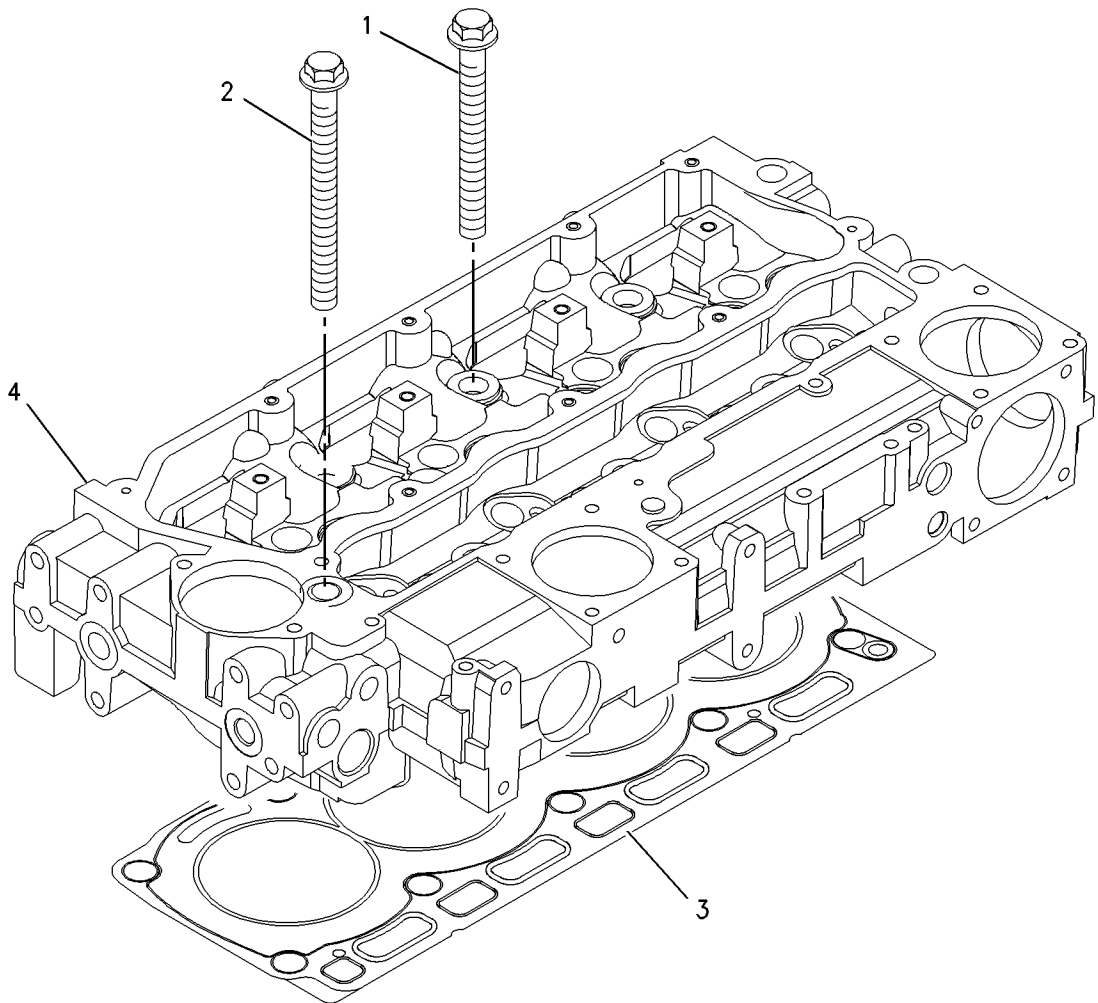
# BASIC ENGINE

## 234-2672 CYLINDER HEAD GP

PART OF 176-3180 ENGINE [AR] PRIMARY  
AN ATTACHMENT

NOTE	REF NO	GRAPHIC REF	PART NUMBER	QTY	PART NAME						SEE PAGE
					1	2	3	4	5	6 (PRODUCT LEVEL)	
	1	1	225-5501	7	BOLT (M15X1.5X137-MM)						
	2	1	225-5502	3	BOLT (M15X1.5X162-MM)						
	3	1	240-7194	1	GASKET-HEAD						
Y	4	1	225-5505	1	CYLINDER HEAD GP						34

Y-SEPARATE ILLUSTRATION



GRAPHIC #1

<END>

g00909291

**<https://www.ebooklibonline.com>**

Hello dear friend!

Thank you very much for reading.

Enter the link into your browser.

The full manual is available for immediate download.

**<https://www.ebooklibonline.com>**

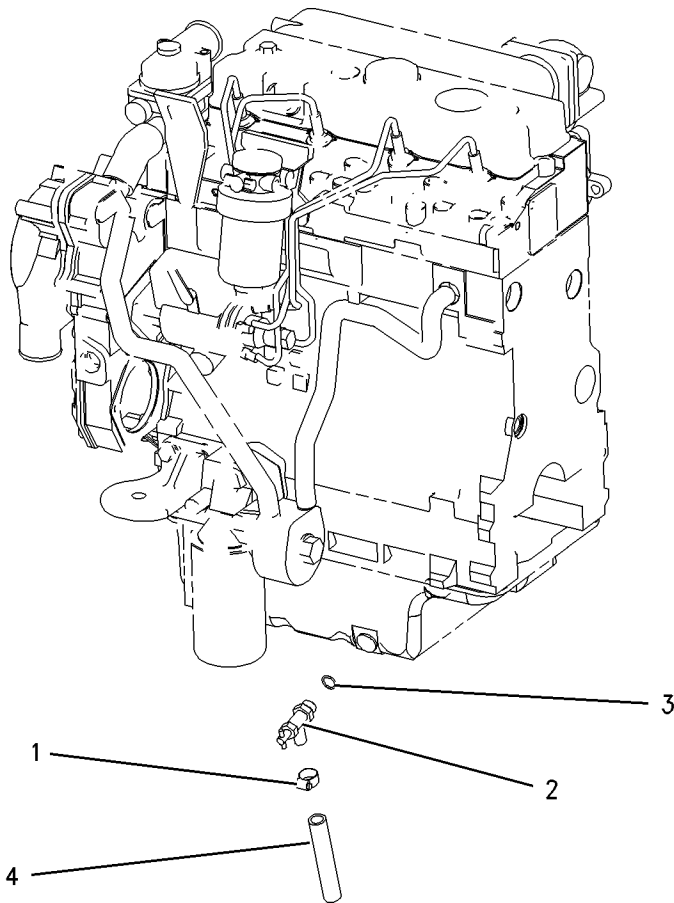
# BASIC ENGINE

## 180-3267 DRAIN GP - ENGINE OIL

PART OF 271-0945 INSTALLATION AR-ENGINE  
AN ATTACHMENT

NOTE	REF NO	GRAPHIC REF	PART NUMBER	QTY	PART NAME						SEE PAGE
					1	2	3	4	5	6 (PRODUCT LEVEL)	
	1	1	<b>5D-1026</b>	1	CLAMP-HOSE						
	2	1	<b>6V-7238</b>	1	VALVE-SHUTOFF (SUMP DRAIN)						
	3	1	<b>3K-0360</b>	1	SEAL-O-RING						
E	4	1	<b>5P-0743</b>		HOSE (13CM)						

E-ORDER BY THE CENTIMETER



GRAPHIC #1

<END>

g00879690

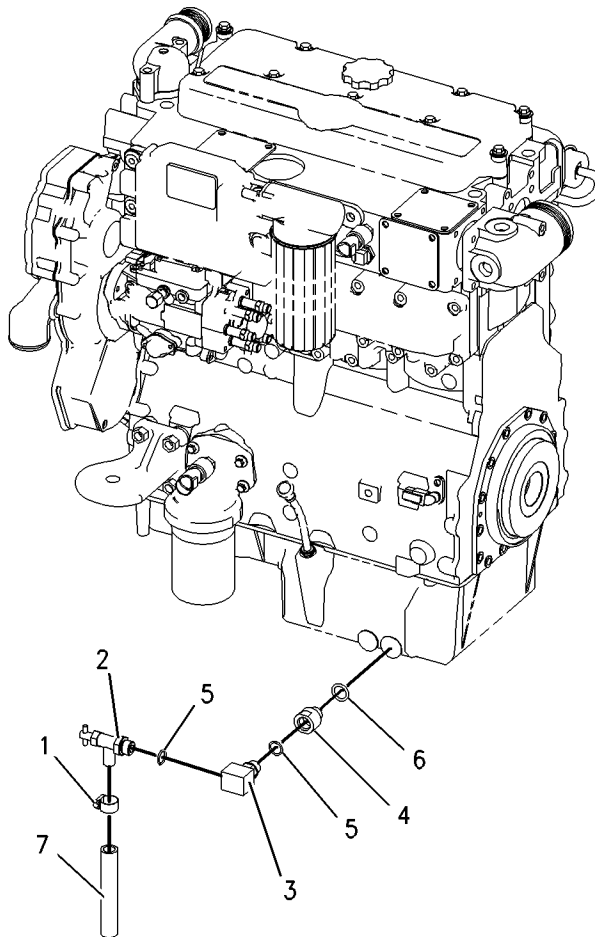
# BASIC ENGINE

## 207-4171 DRAIN GP - ENGINE OIL

PART OF 300-1837 INSTALLATION AR -ENGINE  
AN ATTACHMENT

NOTE	REF NO	GRAPHIC REF	PART NUMBER	QTY	PART NAME						SEE PAGE
					1	2	3	4	5	6	
	1	1	<b>5D-1026</b>	1	CLAMP-HOSE						
	2	1	<b>6V-7238</b>	1	VALVE-SHUTOFF (SUMP DRAIN)						
	3	1	<b>8T-0119</b>	1	ELBOW						
	4	1	<b>159-5255</b>	1	ADAPTER						
	5	1	<b>3K-0360</b>	2	SEAL-O-RING						
	6	1	<b>5P-6718</b>	1	SEAL-O-RING						
E	7	1	<b>5P-0743</b>	1	HOSE (13CM)						

E-ORDER BY THE CENTI METER



GRAPHIC #1

<END>

g00866974

# BASIC ENGINE

## 178-8203 DRIVE GP FAN

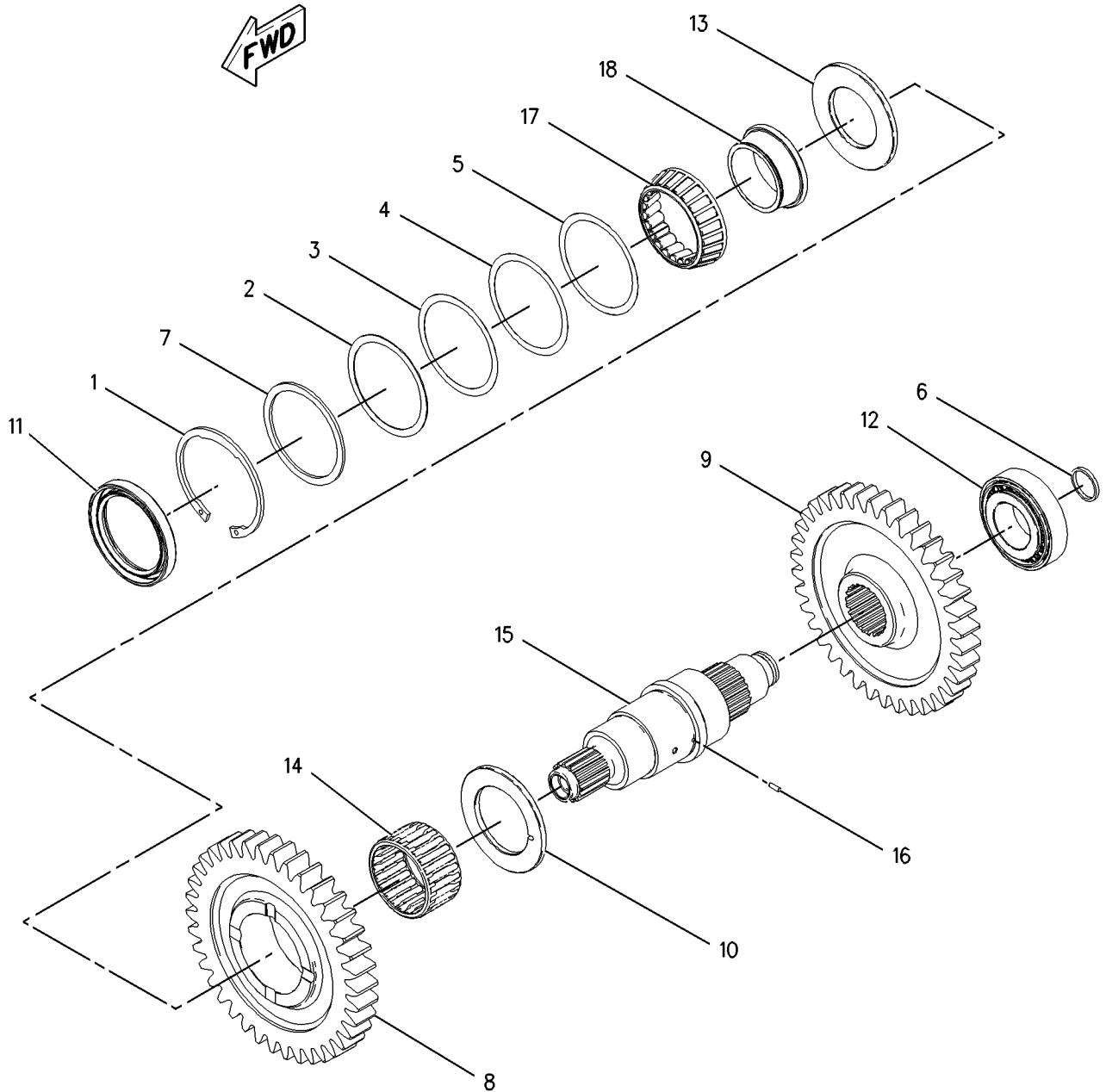
PART OF 268-9319 TRANSMISSION GP  
AN ATTACHMENT

NOTE	REF NO	GRAPHIC REF	PART NUMBER	QTY	PART NAME						SEE PAGE
					1	2	3	4	5	6 (PRODUCT LEVEL)	
	1	1	<b>095-0941</b>	1	RING-RETAINING						
B	2	1	<b>104-3288</b>	1	SHIM (0.05-MM THK)						
B	3	1	<b>121-2059</b>	1	SHIM (0.08-MM THK)						
B	4	1	<b>121-2060</b>	1	SHIM (0.18-MM THK)						
B	5	1	<b>121-2061</b>	1	SHIM (0.6-MM THK)						
	6	1	<b>122-1878</b>	1	RING-SEAL						
	7	1	<b>122-1879</b>	1	SPACER (58X67.5X2-MM THK)						
	8	1	<b>221-6795</b>	1	GEAR AS (38 TEETH)						
	9	1	<b>178-8125</b>	1	GEAR (38 TEETH)						
	10	1	<b>178-8129</b>	1	WASHER-THRUST						
	11	1	<b>178-8208</b>	1	SEAL-OIL						
	12	1	<b>190-1576</b>	1	BEARING AS-TAPERED ROLLER						
	13	1	<b>206-4383</b>	1	WASHER-THRUST						
	14	1	<b>209-3764</b>	1	BEARING AS-ROLLER						
	15	1	<b>221-6781</b>	1	SHAFT AS						
		1	<b>1P-0604</b>	1	PLUG-CUP						
		1	<b>178-8126</b>	1	SHAFT						
	16	1	<b>7T-3035</b>	1	PIN						
	17	1	<b>123-8905</b>	1	CUP-TAPERED ROLLER						
	18	1	<b>123-8906</b>	1	CUP-TAPERED ROLLER						

B-USE AS REQUIRED

# BASIC ENGINE

178-8203 DRIVE GP - FAN (contd.)

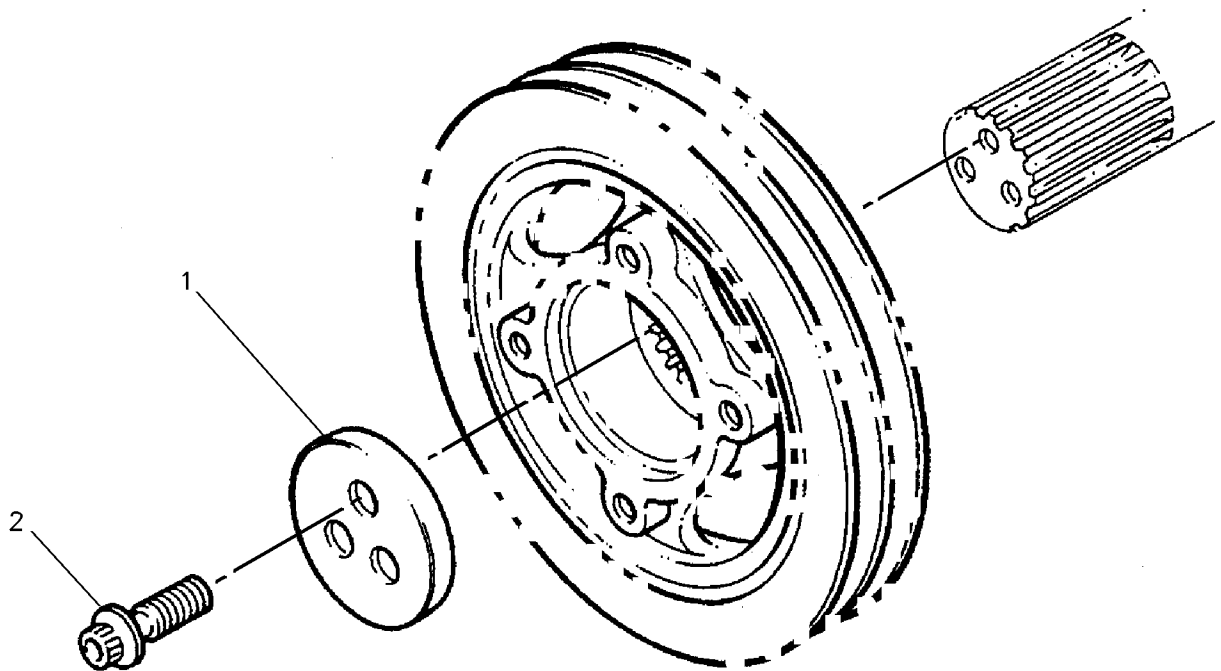


# BASIC ENGINE

## 230-7354 FASTENER GP - PULLEY

PART OF 176-3180 ENGINE [AR] PRIMARY  
AN ATTACHMENT

NOTE	REF NO	GRAPHIC REF	PART NUMBER	QTY	PART NAME						SEE PAGE
					1	2	3	4	5	6 (PRODUCT LEVEL)	
	1	1	<b>6I-0501</b>	1	BLOCK						
	2	1	<b>7W-4634</b>	3	BOLT (7/16-20X1.5-1N)						



GRAPHIC #1

<END>

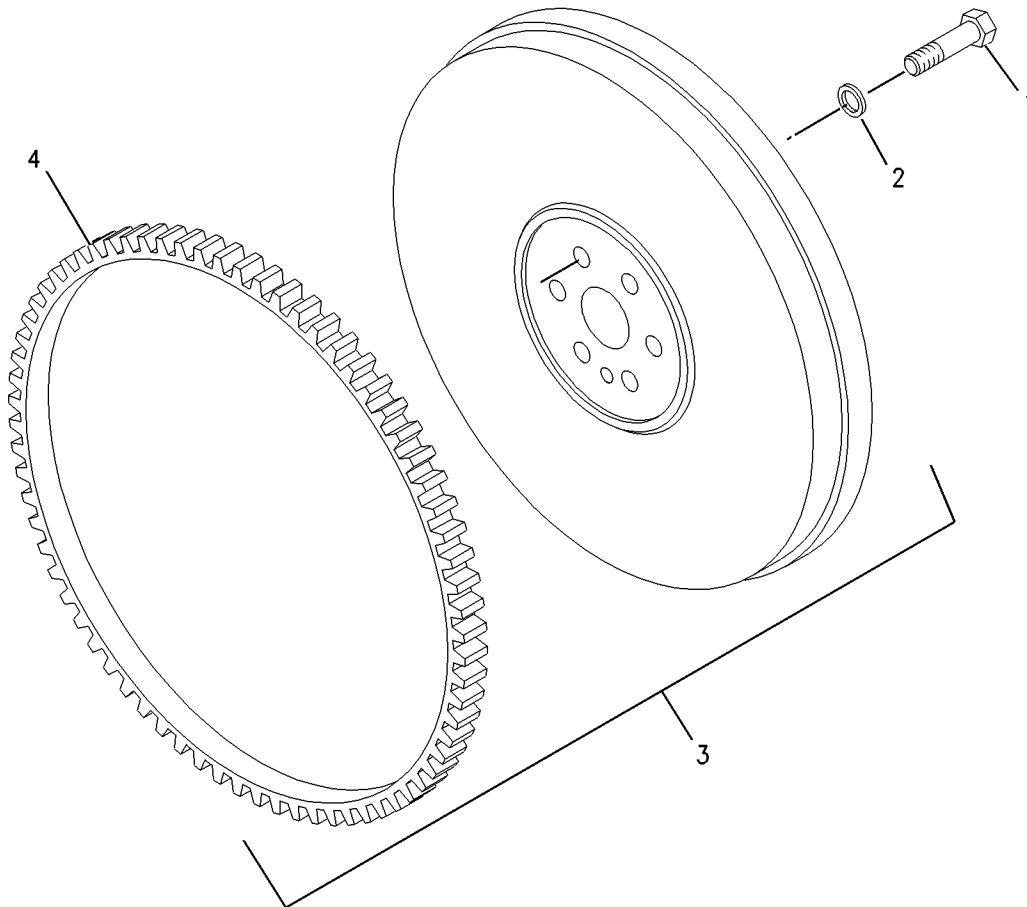
g00948929

# BASIC ENGINE

## 230-7300 FLYWHEEL GP

PART OF 176-3180 ENGINE AR-PRIMARY  
AN ATTACHMENT

NOTE	REF NO	GRAPHIC REF	PART NUMBER	QTY	PART NAME						SEE PAGE
					1	2	3	4	5	6 (PRODUCT LEVEL)	
	1	1	<b>0S-1603</b>	6	BOLT (1/2-20X1.5-1N)						
	2	1	<b>5P-8245</b>	6	WASHER-HARD (13.5X25.5X3-MM THK)						
	3	1	<b>245-9828</b>	1	FLYWHEEL AS						
	4	1	<b>033-7687</b>	1	RING-STARTING MOTOR (126-TEETH)						



GRAPHIC #1

<END>

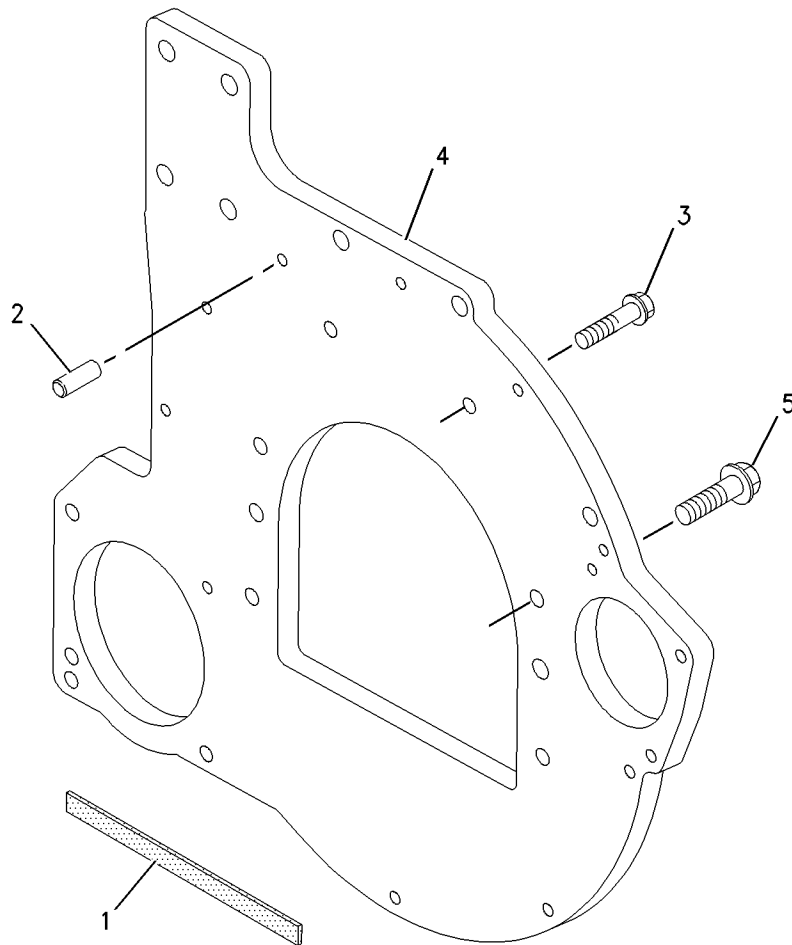
g00955555

# BASIC ENGINE

## 230-7928 HOUSING GP - FLYWHEEL

PART OF 176-3180 ENGINE [A] PRIMARY  
AN ATTACHMENT

NOTE	REF NO	GRAPHIC REF	PART NUMBER	QTY	PART NAME						SEE PAGE
					1	2	3	4	5	6 (PRODUCT LEVEL)	
	1	1	<b>7W-4642</b>	1	SHIELD-DUST						
	2	1	<b>287-8597</b>	2	DOWEL						
	3	1	<b>106-8954</b>	2	BOLT (M12X1.75X35-MM)						
	4	1	<b>254-6819</b>	1	PLATE-ADAPTER						
	5	1	<b>230-7924</b>	6	BOLT						



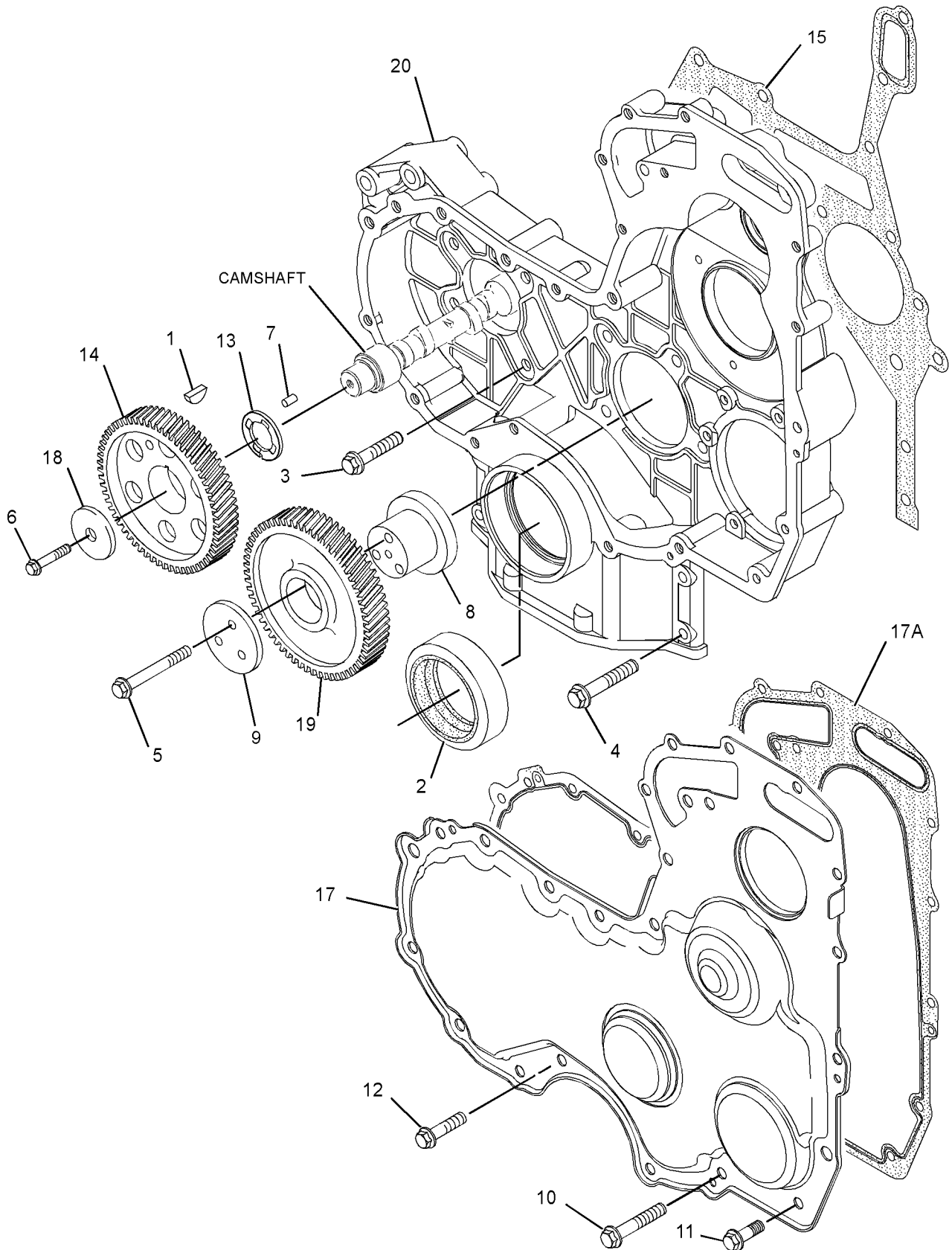
GRAPHIC #1

<END>

g00956054

# BASIC ENGINE

232-6179 HOUSING GP - FRONT (contd.)



GRAPHIC #1

<END>

g01311941

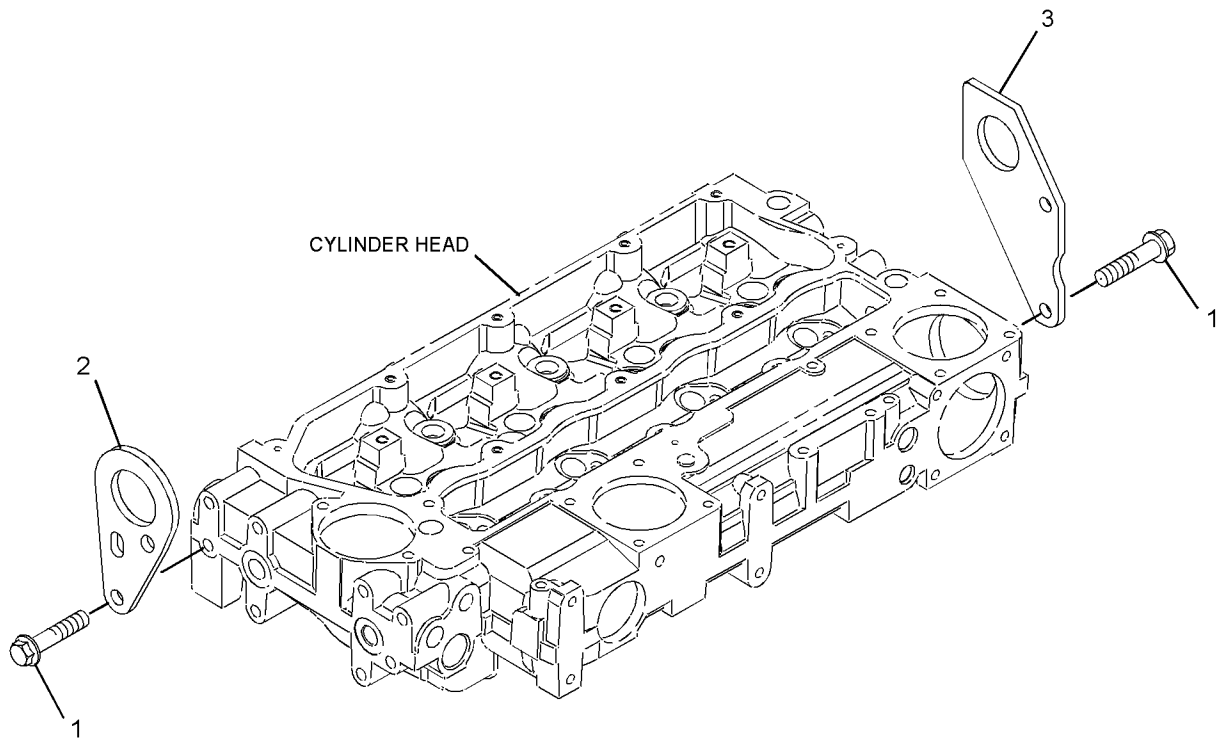
# BASIC ENGINE

## 232-3713 LIFTING GP-ENGINE

PART OF 175-3180 ENGINE AS PRIMARY  
AN ATTACHMENT

NOTE	REF NO	GRAPHIC REF	PART NUMBER	QTY	PART NAME						SEE PAGE
					1	2	3	4	5	6 (PRODUCT LEVEL)	
M	1	1	<b>100-4830</b>	4	BOLT (M10X1.5X20-MM)						
	2	1	<b>225-8848</b>	1	PLATE-LIFTING						
	3	1	<b>275-2452</b>	1	PLATE-LIFTING						

M-METRIC PART



GRAPHIC #1

<END>

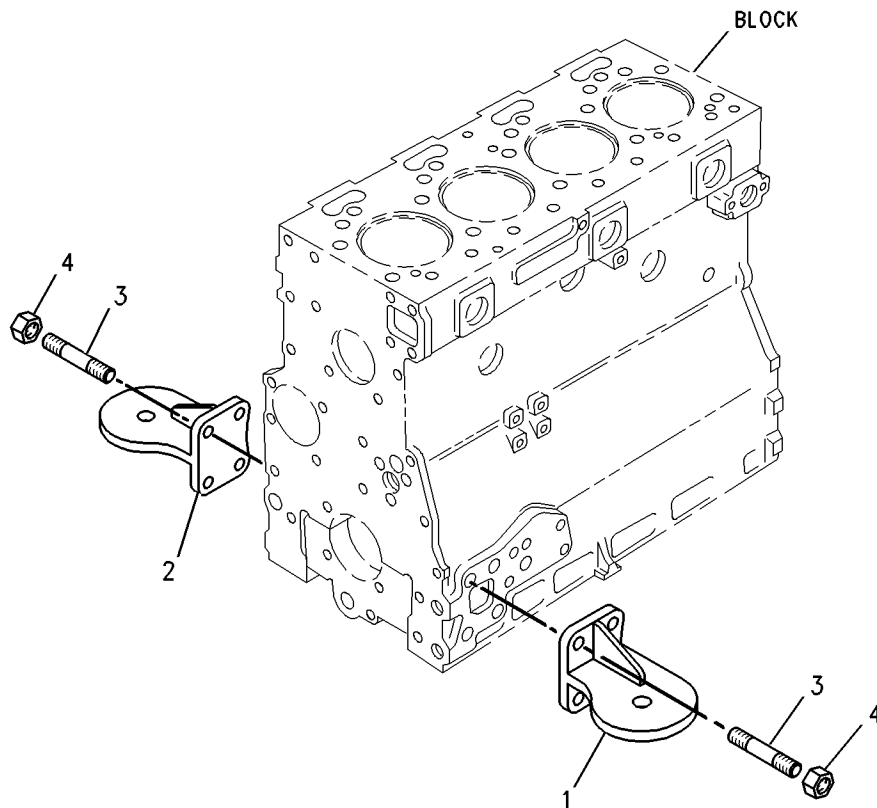
g01210949

# BASIC ENGINE

## 232-3715 MOUNTING GP-ENGINE

PART OF 176-3180 ENGINE AR PRIMARY  
AN ATTACHMENT

NOTE	REF NO	GRAPHIC REF	PART NUMBER	QTY	PART NAME						SEE PAGE
					1	2	3	4	5	6 (PRODUCT LEVEL)	
	1	1	195-2132	1	SUPPORT-FRONT						
	2	1	195-2134	1	SUPPORT-FRONT						
	3	1	195-2136	8	STUD						
	4	1	195-2221	8	NUT						



GRAPHIC #1

<END>

g00985148

# BASIC ENGINE

## 229-2528 MOUNTING GP-ENGINE & TMSN

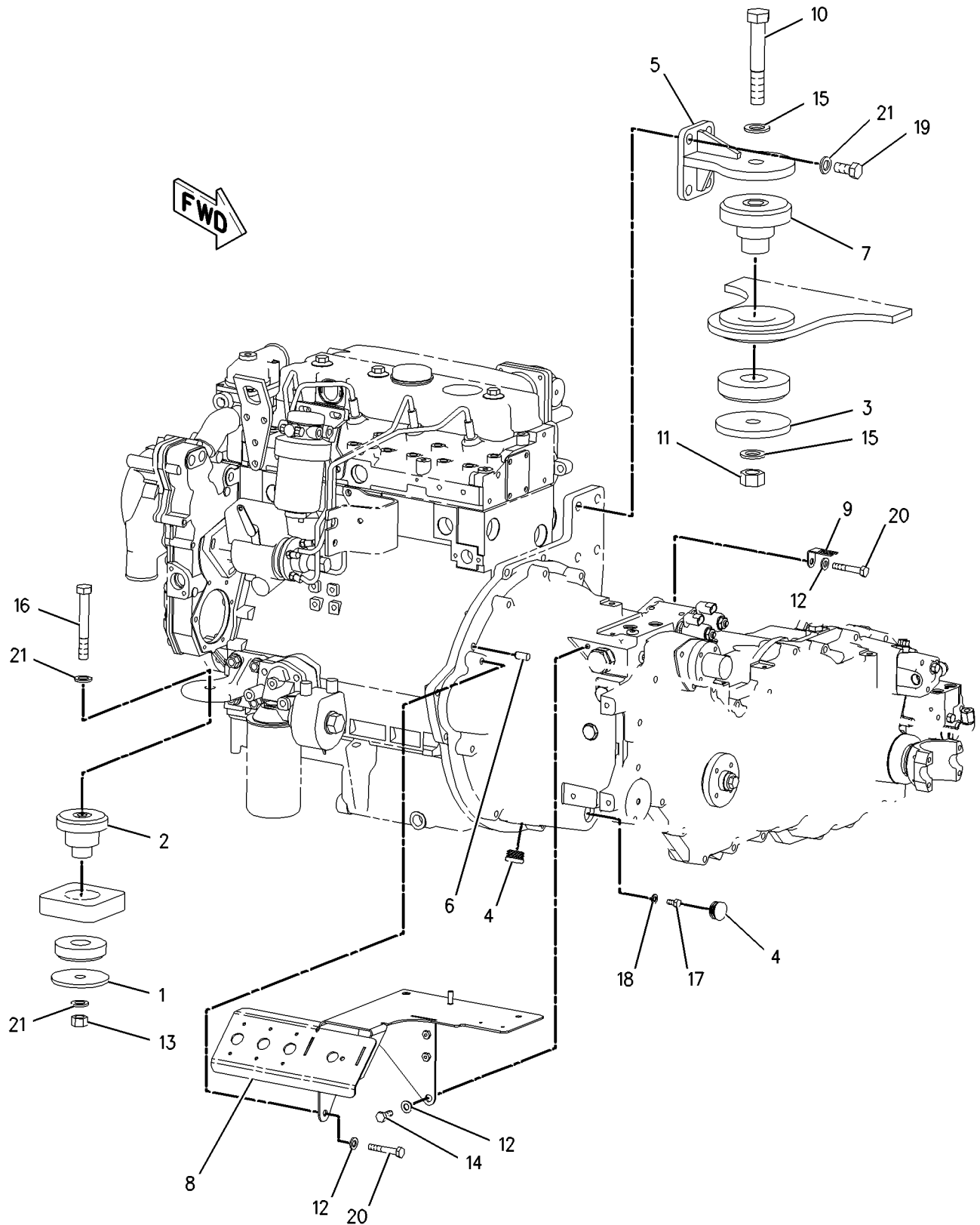
PART OF 271 0945 INSTALLATION FOR ENGINE  
AN ATTACHMENT

NOTE	REF NO	GRAPHIC REF	PART NUMBER	QTY	PART NAME						SEE PAGE
					1	2	3	4	5	6 (PRODUCT LEVEL)	
	1	1	<b>3E-4892</b>	2	WASHER (16.75X100X6-MM THK)						
	2	1	<b>3E-4924</b>	2	MOUNTING AS						
	3	1	<b>7Y-2174</b>	1	WASHER (24.5X130X12-MM THK)						
	4	1	<b>178-8211</b>	2	PLUG						
	5	1	<b>183-3789</b>	1	SUPPORT AS						
	6	1	<b>183-9058</b>	2	DOWEL						
	7	1	<b>194-3278</b>	1	MOUNT AS						
	8	1	<b>227-4476</b>	1	BRACKET AS						
	9	1	<b>132-5789</b>	1	CLIP						
M	10	1	<b>8C-3290</b>	1	BOLT (M24X3X150-MM)						
M	11	1	<b>8T-4001</b>	1	NUT (M24X3-THD)						
	12	1	<b>8T-4121</b>	10	WASHER-HARD (11X21X2.5-MM THK)						
M	13	1	<b>8T-4132</b>	2	NUT (M16X2-THD)						
M	14	1	<b>8T-4136</b>	1	BOLT (M10X1.5X25-MM)						
	15	1	<b>8T-4167</b>	2	WASHER-HARD (26X44X4-MM THK)						
M	16	1	<b>8T-4174</b>	2	BOLT (M16X2X120-MM)						
M	17	1	<b>8T-4200</b>	8	BOLT (M8X1.25X16-MM)						
	18	1	<b>8T-4224</b>	8	WASHER-HARD (8.8X16X2-MM THK)						
M	19	1	<b>8T-4779</b>	4	BOLT (M16X2X35-MM)						
M	20	1	<b>8T-6466</b>	9	BOLT (M10X1.5X60-MM)						
	21	1	<b>9X-8257</b>	8	WASHER (17.5X30X3.5-MM THK)						

M-METRIC PART

# BASIC ENGINE

229-2528 MOUNTING GP - ENGINE & TMSN (contd.)



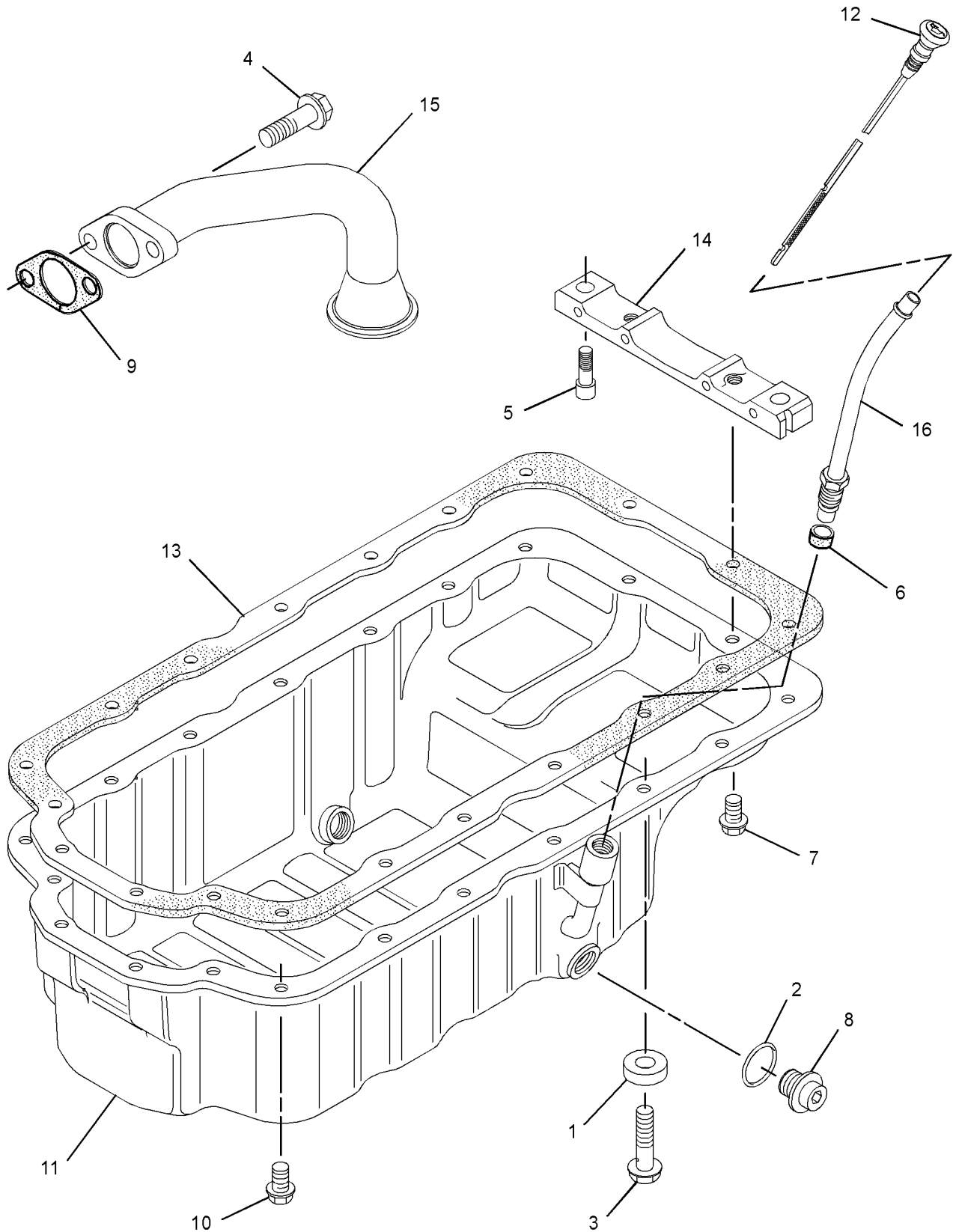
GRAPHIC #1

<END>

g00937536

# BASIC ENGINE

234-2939 PAN[GP-OI][contd.]



GRAPHIC #1

<END>

g01271586

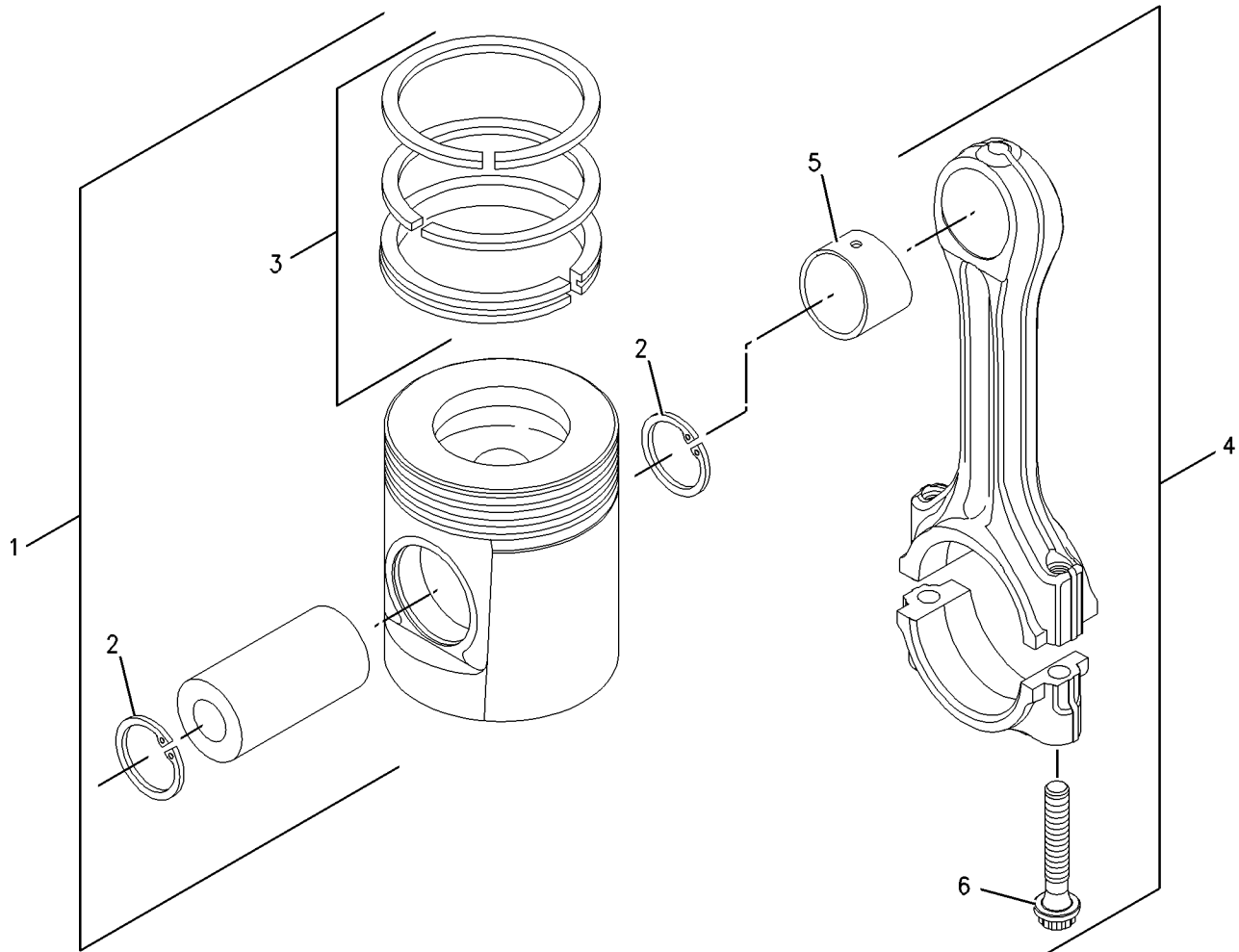
# BASIC ENGINE

## 234-2671 PISTON & ROD GP

PART OF 176-3180 ENGINE OR PRIMARY  
AN ATTACHMENT

NOTE	REF NO	GRAPHIC REF	PART NUMBER	QTY	PART NAME						SEE PAGE
					1	2	3	4	5	6 (PRODUCT LEVEL)	
	1	1	<b>225-5437</b>	1	PISTON AS						
	2	1	<b>124-3536</b>	2	RING-RETAINING						
	3	1	<b>225-5436</b>	1	KIT-PISTON RING						
J	4	1	<b>225-5441</b>	4	ROD AS-CONNECTING (LENGTH L)						
					-OR-						
J		1	<b>225-5451</b>	4	ROD AS-CONNECTING (LENGTH K)						
					-OR-						
J		1	<b>225-5453</b>	4	ROD AS-CONNECTING (LENGTH J)						
					-OR-						
J		1	<b>225-5454</b>	4	ROD AS-CONNECTING (LENGTH H)						
					-OR-						
J		1	<b>225-5458</b>	4	ROD AS-CONNECTING (LENGTH G)						
					-OR-						
J		1	<b>225-5459</b>	4	ROD AS-CONNECTING (LENGTH F)						
					(EACH ROD AS INCLUDES)						
	5	1	<b>225-5438</b>	1	BUSHING						
	6	1	<b>225-5439</b>	2	BOLT						

J-ENSURE THAT CORRECT ROD LENGTH IS FITTED



GRAPHIC #1

<END>

g00909669



**Suggest:**

**If the above button click is invalid.**

**Please download this document**

**first, and then click the above link**

**to download the complete manual.**

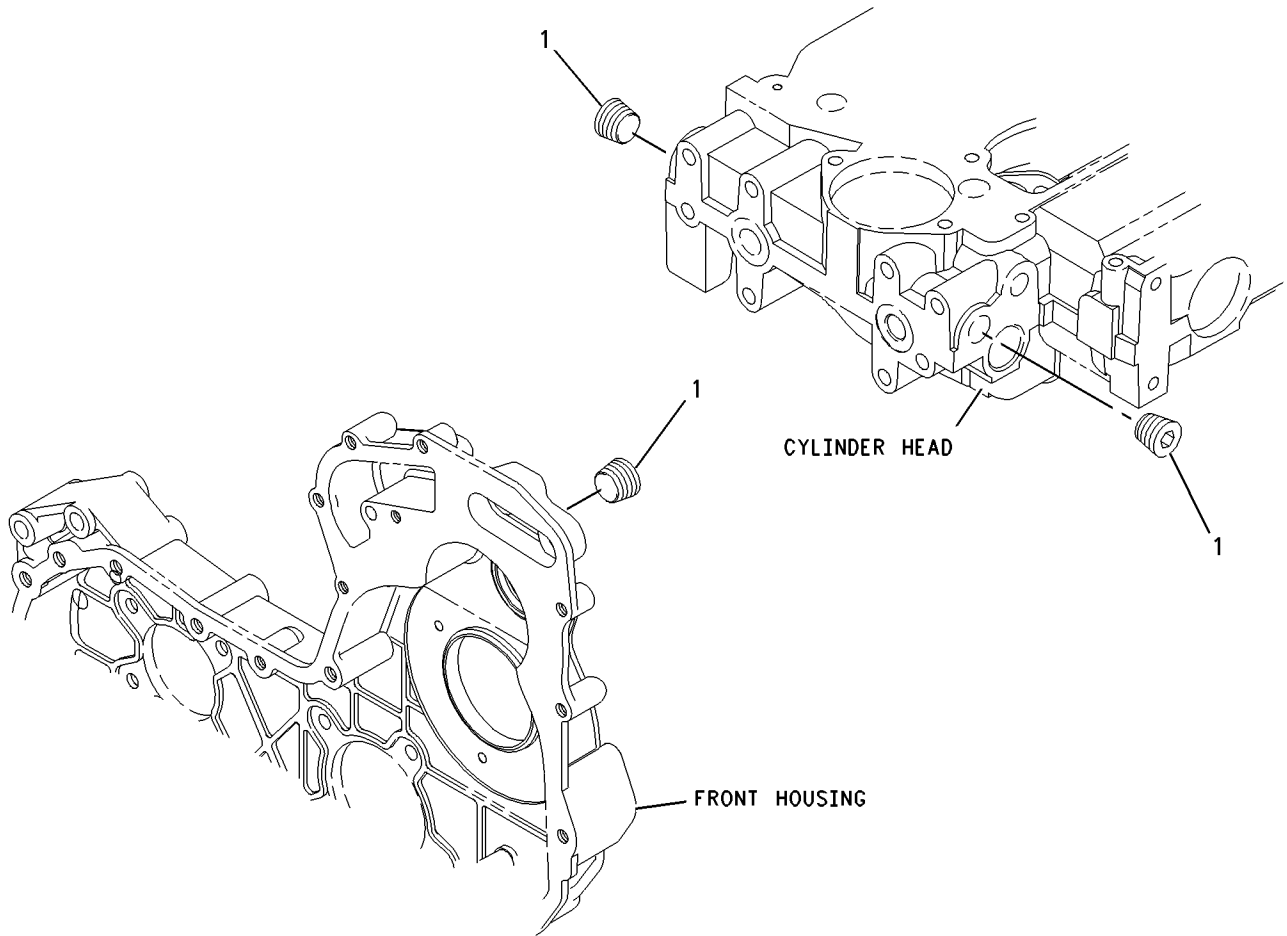
**Thank you so much for reading**

# BASIC ENGINE

## 225-4317 PLUG GP - ENGINE

FRONT HOUSING, CYLINDER HEAD  
 PART OF 178-3180 ENGINE OR PRIMARY  
 AN ATTACHMENT

NOTE	REF NO	GRAPHIC REF	PART NUMBER	QTY	PART NAME						SEE PAGE
					1	2	3	4	5	6 (PRODUCT LEVEL)	
	1	1	2B-0858	3	PLUG-PI PE						



GRAPHIC #1

<END>

g00911937

**<https://www.ebooklibonline.com>**

Hello dear friend!

Thank you very much for reading.

Enter the link into your browser.

The full manual is available for immediate download.

**<https://www.ebooklibonline.com>**