



---

# *Parts Manual*

## ***Models*** ***TH414C GC*** ***TH417C GC***

SN KRF00150 to Present  
SN LYN00150 to Present  
SN NAB00150 to Present  
SN NMM00150 to Present

**31200958**

*Revised*  
*November 21, 2017*

---

# TABLE OF CONTENTS

FIGURE NO.	TITLE	PAGE NO.
<b>SECTION 1 –</b>		
<b>FRAME &amp; ATTACHING PARTS .....</b>		<b>1-1</b>
1-1	Frame Installation - TH414C GC .....	1-2
1-2	Frame Installation - TH417C GC .....	1-4
1-3	Enclosure Group Installation .....	1-6
1-4	Mirror Installation - TH414C GC .....	1-8
1-5	Mirror Installation - TH417C GC .....	1-10
1-6	Rear Mirror Installation .....	1-12
1-7	Mirror Assembly .....	1-14
1-8	Boom Prop Installation .....	1-16
1-9	Wheel Chock Installation .....	1-18
1-10	Counterweight Installation - TH414C GC .....	1-20
1-11	Counterweight Installation - TH417C GC .....	1-22
1-12	Hood Assembly .....	1-24
1-13	Sound Suppression Installation .....	1-26
1-14	Chassis Cover Plate Installation - TH414C GC .....	1-28
1-15	Chassis Cover Plate Installation - TH417C GC .....	1-30
1-16	License Plate Installation .....	1-32
1-17	Retrieval Hitch Installation .....	1-34
1-18	Hydraulic Tank Installation .....	1-36
<b>SECTION 2 –</b>		
<b>BOOM .....</b>		<b>2-1</b>
2-1	Boom Installation - TH414C GC (No Auxiliary Hydraulics) .....	2-2
2-2	Boom Installation - TH414C GC (Auxiliary Hydraulics) .....	2-4
2-3	Boom Installation - TH417C GC (No Auxiliary Hydraulics) .....	2-6
2-4	Boom Installation - TH417C GC (Auxiliary Hydraulics) .....	2-8
2-5	Boom Assembly - TH414C GC (No Auxiliary Hydraulics) .....	2-10
2-6	Boom Assembly - TH414C GC (Auxiliary Hydraulics) .....	2-12
2-7	Boom Assembly - TH417C GC (No Auxiliary Hydraulics) .....	2-14
2-8	Boom Assembly - TH417C GC (Auxiliary Hydraulics) .....	2-18
2-9	Extend Chain Assembly - TH414C GC .....	2-22
2-10	Extend Chain Assembly (1) - TH417C GC .....	2-24
2-11	Extend Chain Assembly (2) - TH417C GC .....	2-26
2-12	Retract Chain Assembly - TH414C GC .....	2-28
2-13	Retract Chain Assembly (1) - TH417C GC .....	2-30
2-14	Retract Chain Assembly (2) - TH417C GC .....	2-32
2-15	Cover Plate Installation - TH414C GC .....	2-34
2-16	Cover Plate Installation - TH417C GC .....	2-36
2-17	First Boom Section - TH414C GC .....	2-38
2-18	First Boom Section - TH417C GC .....	2-40
2-19	Second Boom Section - TH414C GC .....	2-42
2-20	Second Boom Section - TH417C GC .....	2-44
2-21	Third Boom Section - TH414C GC .....	2-46
2-22	Third Boom Section - TH417C GC .....	2-48

# TABLE OF CONTENTS

FIGURE NO.	TITLE	PAGE NO.
2-23	Fourth Boom Section - TH417C GC .....	2-50
2-24	Hose Support Assembly - TH417C GC .....	2-52
2-25	Manual Quick Attach .....	2-54
2-26	Hydraulics Installation - TH414C GC (No Auxiliary Hydraulics) .....	2-56
2-27	Hydraulics Installation - TH414C GC (Auxiliary Hydraulics) .....	2-58
2-28	Hydraulics Installation - TH417C GC .....	2-60
2-29	Hydraulics Assembly - TH417C GC .....	2-62
2-30	Hydraulics Installation - TH417C GC (Auxiliary Hydraulics) .....	2-64
2-31	Boom Brush Installation - TH414C GC .....	2-66
2-32	Boom Brush Installation - TH417C GC .....	2-68
2-33	Boom Brush Bracket Assembly (1) .....	2-70
2-34	Boom Brush Bracket Assembly (2) .....	2-72
2-35	Boom Brush Bracket Assembly (3) .....	2-74
2-36	Boom Brush Bracket Assembly - TH414C GC (4) .....	2-76
2-37	Boom Brush Bracket Assembly - TH414C GC (5) .....	2-78
2-38	Boom Brush Bracket Assembly (6) .....	2-80
2-39	Boom Brush Bracket Assembly - TH417C GC (7) .....	2-82
2-40	Boom Brush Bracket Assembly - TH417C GC (8) .....	2-84
2-41	Boom Brush Bracket Assembly - TH417C GC (9) .....	2-86
2-42	Boom Brush Bracket Assembly - TH417C GC (10) .....	2-88
2-43	Boom Brush Bracket Assembly - TH417C GC (11) .....	2-90
<b>SECTION 3 -</b>		
<b>ATTACHMENTS .....</b>		<b>3-1</b>
3-1	Standard Carriage .....	3-2
3-2	Side Shift Carriage .....	3-4
3-3	Manitou Carriage .....	3-6
3-4	Forks .....	3-8
3-5	General Purpose Bucket .....	3-10
3-6	Material Handling Bucket .....	3-12
3-7	Truss Boom .....	3-14
3-8	Lifting Hook .....	3-16
3-9	Manitou Carriage Installation - TH414C GC .....	3-18
3-10	Manitou Carriage Installation - TH417C GC .....	3-20
3-11	Manitou Coupler Installation .....	3-22
3-12	JCB Carriage Installation - TH414C GC .....	3-24
3-13	JCB Carriage Installation - TH417C GC .....	3-26
3-14	JCB Coupler Installation .....	3-28
3-15	JCB Coupling .....	3-30
3-16	JCB Fork Assembly .....	3-32
3-17	Fork Transport Latch Installation .....	3-34
3-18	Homologation Warning Panel Installation - TH414C GC (Germany) .....	3-36
3-19	Installation, Fork And Hook - TH414C GC .....	3-38
3-20	Installation, Fork And Hook - TH417C GC .....	3-40
3-21	4 Ton Fork Hook .....	3-42

**<https://www.ebooklibonline.com>**

Hello dear friend!

Thank you very much for reading.

Enter the link into your browser.

The full manual is available for immediate download.

**<https://www.ebooklibonline.com>**

# TABLE OF CONTENTS

FIGURE NO.	TITLE	PAGE NO.
3-22	Reflective Plates Installation (Bucket) (Italy) .....	3-44
3-23	Reflective Plates Installation (Forks) (Italy) .....	3-46
3-24	Bucket Guard Accessory (Italy) .....	3-48
 <b>SECTION 4 –</b>		
	<b>ENGINE &amp; ATTACHING PARTS .....</b>	<b>4-1</b>
4-1	Engine and Transmission Installation .....	4-2
4-2	Engine and Transmission Installation .....	4-10
4-3	Engine Installation .....	4-12
4-4	Engine Mounting Installation .....	4-14
4-5	Pump Installation .....	4-16
4-6	Turbo Shield Installation .....	4-18
4-7	Fuel Lines Installation .....	4-20
4-8	Fuel Tank Installation .....	4-22
4-9	Fuel Tank .....	4-24
4-10	Cooling System Installation .....	4-26
4-11	Expansion Tank Assembly .....	4-30
4-12	Radiator Assembly .....	4-32
4-13	Heater Lines Installation .....	4-34
4-14	Air System Installation .....	4-36
4-15	Air Filter Assembly .....	4-38
4-16	Air Intake Filter .....	4-40
4-17	Exhaust System Installation .....	4-42
4-18	Engine Oil Drain Installation .....	4-46
4-19	Pad Lock .....	4-48
 <b>SECTION 5 –</b>		
	<b>DRIVE TRAIN .....</b>	<b>5-1</b>
5-1	Axle Installation - TH414C GC .....	5-2
5-2	Axle Installation (No Foam Fill) - TH417C GC .....	5-4
5-3	Axle Installation (Foam Fill) - TH417C GC .....	5-6
5-4	Driveshaft Installation -TH414C GC .....	5-8
5-5	Driveshaft Installation - TH417C GC .....	5-10
5-6	Front Axle - TH414C GC .....	5-12
5-7	Front Axle, Central Housing - TH414C GC .....	5-14
5-8	Front Axle, Differential - TH414C GC .....	5-16
5-9	Front Axle, Hub Reduction - TH414C GC .....	5-18
5-10	Front Axle, Brakes - TH414C GC .....	5-22
5-11	Front Axle, Steering - TH414C GC .....	5-24
5-12	Front Axle, Trunion - TH414C GC .....	5-26
5-13	Front Axle, Trunion Kit - TH414C GC .....	5-28
5-14	Differential Kit .....	5-30
5-15	Front Axle - TH417C GC (Prior to SN NAB00193) .....	5-32
5-16	Front Axle, Central Housing - TH417C GC (Prior to SN NAB00193) .....	5-34
5-17	Front Axle, Differential - TH417C GC (Prior to SN NAB00193) .....	5-36

# TABLE OF CONTENTS

FIGURE NO.	TITLE	PAGE NO.
5-18	Front Axle, Hub Reduction - TH417C GC (Prior to SN NAB00193) .....	5-38
5-19	Front Axle, Brakes - TH417C GC (Prior to SN NAB00193) .....	5-42
5-20	Front Axle, Steering - TH417C GC (Prior to SN NAB00193) .....	5-44
5-21	Front Axle, Trunion - TH417C GC (Prior to SN NAB00193) .....	5-46
5-22	Front Axle - TH417C GC (SN NAB00193 to Present) .....	5-48
5-23	Front Axle, Central Housing - TH417C GC (SN NAB00193 to Present) .....	5-50
5-24	Front Axle, Differential - TH417C GC (SN NAB00193 to Present) .....	5-52
5-25	Front Axle, Hub Reduction - TH417C GC (SN NAB00193 to Present) .....	5-54
5-26	Front Axle, Brakes - TH417C GC (SN NAB00193 to Present) .....	5-56
5-27	Front Axle, Steering - TH417C GC (SN NAB00193 to Present) .....	5-58
5-28	Front Axle, Trunion - TH417C GC (SN NAB00193 to Present) .....	5-60
5-29	Differential Kit (SN NAB00193 to Present) .....	5-62
5-30	Reduction Bushing (SN NAB00193 to Present) .....	5-64
5-31	Steering Case Kit LH (SN NAB00193 to Present) .....	5-66
5-32	Steering Case Kit RH (SN NAB00193 to Present) .....	5-68
5-33	Steering Adjust Bolt Kit (SN NAB00193 to Present) .....	5-70
5-34	Ring Gear Support Kit (SN NAB00193 to Present) .....	5-72
5-35	Planet Gear Carrier Kit (SN NAB00193 to Present) .....	5-74
5-36	Trunion Kit (SN NAB00193 to Present) .....	5-76
5-37	Rear Axle - TH414C GC, TH417C GC (No Foam Fill) .....	5-78
5-38	Rear Axle, Central Housing - TH414C GC, TH417C GC (No Foam Fill) .....	5-80
5-39	Rear Axle, Differential - TH414C GC, TH417C GC (No Foam Fill) .....	5-82
5-40	Rear Axle, Hub Reduction - TH414C GC, TH417C GC (No Foam Fill) .....	5-84
5-41	Rear Axle, Brakes - TH414C GC, TH417C GC (No Foam Fill) .....	5-88
5-42	Rear Axle, Steering - TH414C GC, TH417C GC (No Foam Fill) .....	5-90
5-43	Rear Axle, Trunion - TH414C GC, TH417C GC (No Foam Fill) .....	5-92
5-44	Rear Axle, Trunion Kit - TH414C GC, TH417C GC (No Foam Fill) .....	5-94
5-45	Piston Kit .....	5-96
5-46	Rear Axle - TH417C GC (Foam Fill) (Prior to SN NAB00193) .....	5-98
5-47	Rear Axle, Central Housing - TH417C GC (Foam Fill) (Prior to SN NAB00193) .....	5-100
5-48	Rear Axle, Differential - TH417C GC (Foam Fill) (Prior to SN NAB00193) .....	5-102
5-49	Rear Axle, Hub Reduction - TH417C GC (Foam Fill) (Prior to SN NAB00193) .....	5-104
5-50	Rear Axle, Brakes - TH417C GC (Foam Fill) (Prior to SN NAB00193) .....	5-108
5-51	Rear Axle, Steering - TH417C GC (Foam Fill) (Prior to SN NAB00193) .....	5-110
5-52	Rear Axle, Trunion - TH417C GC (Foam Fill) (Prior to SN NAB00193) .....	5-112
5-53	Rear Axle - TH4017C GC (Foam Fill) (SN NAB00193 to Present) .....	5-114
5-54	Rear Axle, Central Housing - TH417C GC (Foam Fill) (SN NAB00193 to Present) .....	5-116
5-55	Rear Axle, Differential - TH417C GC (Foam Fill) (SN NAB00193 to Present) .....	5-118
5-56	Rear Axle, Hub Reduction - TH417C GC (Foam Fill) (SN NAB00193 to Present) .....	5-120
5-57	Rear Axle, Brakes - TH417C GC (Foam Fill) (SN NAB00193 to Present) .....	5-122
5-58	Rear Axle, Steering - TH417C GC (Foam Fill) (SN NAB00193 to Present) .....	5-124
5-59	Rear Axle, Trunion - TH417C GC (Foam Fill) (SN NAB00193 to Present) .....	5-126
5-60	Differential Kit (SN NAB00193 to Present) .....	5-128
5-61	Reduction Bushing (SN NAB00193 to Present) .....	5-130
5-62	Steering Case Kit LH (SN NAB00193 to Present) .....	5-132

# TABLE OF CONTENTS

FIGURE NO.	TITLE	PAGE NO.
5-63	Steering Case Kit RH (SN NAB00193 to Present) .....	5-134
5-64	Steering Adjust Bolt Kit (SN NAB00193 to Present) .....	5-136
5-65	Ring Gear Support Kit (SN NAB00193 to Present) .....	5-138
5-66	Planet Gear Carrier Kit (SN NAB00193 to Present) .....	5-140
5-67	Piston (SN NAB00193 to Present) .....	5-142
5-68	Trunion Kit (SN NAB00193 to Present) .....	5-144
5-69	Powershift Transmission .....	5-146
5-70	Powershift Transmission, Converter Housing .....	5-148
5-71	Powershift Transmission, Transmission Plate .....	5-150
5-72	Powershift Transmission, Torque Converter .....	5-152
5-73	Powershift Transmission, Gear Group .....	5-154
5-74	Powershift Transmission, Pump Drive .....	5-156
5-75	Powershift Transmission, Charge Pump .....	5-158
5-76	Powershift Transmission, Reverse Idler .....	5-160
5-77	Powershift Transmission, Forward and Reverse Shaft .....	5-162
5-78	Powershift Transmission, 3rd Shaft .....	5-164
5-79	Powershift Transmission, 1st and 2nd Shaft .....	5-166
5-80	Powershift Transmission, Output Shaft .....	5-168
5-81	Powershift Transmission, Drop Box .....	5-170
5-82	Powershift Transmission, Control .....	5-172
5-83	Powershift Transmission, Modulation Valve .....	5-174
5-84	Powershift Transmission, Drive Plate .....	5-176
5-85	Powershift Transmission .....	5-178
5-86	Powershift Transmission, Converter Housing .....	5-180
5-87	Powershift Transmission, Transmission Plate .....	5-182
5-88	Powershift Transmission, Torque Converter .....	5-184
5-89	Powershift Transmission, Gear Group .....	5-186
5-90	Powershift Transmission, Pump Drive .....	5-188
5-91	Powershift Transmission, Charge Pump .....	5-190
5-92	Powershift Transmission, Reverse Idler .....	5-192
5-93	Powershift Transmission, Forward and Reverse Shaft .....	5-194
5-94	Powershift Transmission, 3rd Shaft .....	5-196
5-95	Powershift Transmission, 1st and 2nd Shaft .....	5-198
5-96	Powershift Transmission, Output Shaft .....	5-200
5-97	Powershift Transmission, Drop Box .....	5-202
5-98	Powershift Transmission, Control .....	5-204
5-99	Powershift Transmission, Modulation Valve .....	5-206
5-100	Powershift Transmission, Drive Plate .....	5-208
5-101	Tire Wheel Set, Mitas 15.5/80-24 - TH414C GC .....	5-210
5-102	RH Mitas Wheel - TH414C GC .....	5-212
5-103	LH Mitas Wheel - TH414C GC .....	5-214
5-104	Tire Wheel Set, Mitas 14.00-24 TG02 - TH417C GC .....	5-216
5-105	RH Mitas Wheel - TH417C GC .....	5-218
5-106	LH Mitas Wheel - TH417C GC .....	5-220
5-107	Tire Wheel Set, Goodyear 15.5-25 SGL - TH414C GC .....	5-222

# TABLE OF CONTENTS

FIGURE NO.	TITLE	PAGE NO.
5-108	RH Goodyear Wheel - TH414C GC .....	5-224
5-109	LH Goodyear Wheel - TH414C GC .....	5-226
5-110	Tire Wheel Set, Goodyear 14.00-24 SGG - TH417C GC .....	5-228
5-111	RH Goodyear Wheel - TH417C GC .....	5-230
5-112	LH Goodyear Wheel - TH417C GC .....	5-232
5-113	Tire Wheel Set, Michelin 400/80-24 Power CL - TH414C GC .....	5-234
5-114	RH Michelin Wheel - TH414C GC .....	5-236
5-115	LH Michelin Wheel - TH414C GC .....	5-238
5-116	Tire Wheel Set, Michelin 14.00-24 - TH417C GC .....	5-240
5-117	Michelin Wheel - TH417C GC .....	5-242
5-118	Tire Wheel Set, Firestone 370/75-28 14 Ply - TH414C GC .....	5-244
5-119	Firestone Wheel - TH414C GC .....	5-246
5-120	Tire Wheel Set, Firestone 400/75-28 16 Ply - TH417C GC .....	5-248
5-121	Firestone Wheel - TH417C GC .....	5-250
5-122	Foam Filled Wheel Set - TH414C GC .....	5-252
5-123	RH Foam Wheel - TH414C GC .....	5-254
5-124	LH Foam Wheel - TH414C GC .....	5-256
5-125	Foam Filled Wheel Set - TH417C GC .....	5-258
5-126	RH Foam Wheel - TH417C GC .....	5-260
5-127	LH Foam Wheel - TH417C GC .....	5-262
5-128	Fender Installation - TH414C GC .....	5-264
5-129	RH Fender Assembly - TH414C GC .....	5-266
5-130	LH Fender Assembly - TH414C GC .....	5-268
5-131	Fender Installation - TH417C GC .....	5-270
5-132	RH Fender Assembly - TH417C GC .....	5-272
5-133	LH Fender Assembly - TH417C GC .....	5-274

## SECTION 6 –

<b>CAB</b> .....	<b>6-1</b>
6-1 Cab Installation (FNR Lever) .....	6-2
6-2 Cab Installation (No FNR Lever) .....	6-4
6-3 Cab (FNR Lever) .....	6-6
6-4 Cab (No FNR Lever) .....	6-8
6-5 Cab Assembly .....	6-10
6-6 Cab .....	6-12
6-7 Fuel Door Installation .....	6-14
6-8 Door Strap Installation .....	6-16
6-9 Interior Mirror .....	6-18
6-10 Mirror Installation .....	6-20
6-11 Trim Installation .....	6-22
6-12 Cover Panel Installation .....	6-24
6-13 Gasket Installation .....	6-26
6-14 Front Cover Assembly .....	6-28
6-15 Headliner Installation .....	6-30
6-16 Front Panel Installation .....	6-32

# TABLE OF CONTENTS

FIGURE NO.	TITLE	PAGE NO.
6-17	Rear Cover Panel Installation .....	6-34
6-18	Rear Cover Panel Assembly .....	6-36
6-19	Rear Window Installation .....	6-38
6-20	Rear Window Assembly .....	6-40
6-21	Cab Door Installation .....	6-42
6-22	Window Assembly .....	6-44
6-23	Cab Door Assembly .....	6-46
6-24	Vinyl Seat Installation .....	6-48
6-25	Vinyl Seat .....	6-50
6-26	Cloth Seat Installation .....	6-52
6-27	Cloth Seat .....	6-54
6-28	Wiper Tank Installation .....	6-56
6-29	Front Wiper Installation .....	6-58
6-30	Roof Wiper Installation .....	6-60
6-31	Heater Installation .....	6-62
6-32	Cab Heater .....	6-64
6-33	Air Conditioning Installation .....	6-66
6-34	Heater (HAC) .....	6-70
6-35	Heater (No A/C) .....	6-72
6-36	Cab Mount Installation .....	6-74
6-37	Sun Blind Installation .....	6-76
6-38	Hydraulic Valve Cover Installation .....	6-78
6-39	Condenser Cover Installation .....	6-80
6-40	Top Screen Guard Installation .....	6-82
6-41	Front Screen Guard Installation .....	6-84
6-42	Toolbox Installation .....	6-86
6-43	Front License Plate Installation .....	6-88
6-44	Step Installation .....	6-90
<b>SECTION 7 –</b>		
<b>CONTROLS .....</b>		
		<b>7-1</b>
7-1	Brake Pedal installation .....	7-2
7-2	Brake Pedal Assembly .....	7-4
7-3	Accelerator Pedal Installation .....	7-6
7-4	Accelerator Pedal Assembly .....	7-8
7-5	Steering Column Installation (FNR Lever) .....	7-10
7-6	Steering Column (FNR Lever) .....	7-12
7-7	Steering Column Installation (No FNR Lever) .....	7-14
7-8	Steering Column (No FNR Lever) .....	7-16
7-9	Steering Wheel .....	7-18
7-10	Mechanical Park Brake Installation - TH414C GC .....	7-20
7-11	Hydraulic Park Brake Installation - TH417C GC .....	7-22
7-12	Joystick Installation (FNR Lever) .....	7-24
7-13	Joystick Installation (No FNR Lever) .....	7-26
7-14	Joystick Installation (Auxiliary Hydraulics, FNR Lever) .....	7-28

# TABLE OF CONTENTS

FIGURE NO.	TITLE	PAGE NO.
7-15	Joystick Installation (Auxiliary Hydraulics, No FNR Lever) .....	7-30
7-16	Joystick (FNR Lever) .....	7-32
7-17	Joystick (No FNR Lever) .....	7-36
7-18	Joystick (Auxiliary Hydraulics, FNR Lever) .....	7-40
7-19	Joystick (Auxiliary Hydraulics, No FNR Lever) .....	7-44
7-20	Brake Pedal Installation Prep .....	7-48
7-21	Brake Damper Installation (Italy) - TH414C GC .....	7-50

## SECTION 8 –

<b>HYDRAULIC CIRCUITS .....</b>	<b>8-1</b>	
8-1	Supply Lines Installation - TH414C GC .....	8-2
8-2	Supply Lines Installation - TH417C GC .....	8-4
8-3	Pump Lines Installation - TH414C GC (No Auxiliary Hydraulics) .....	8-6
8-4	Pump Lines Installation - TH414C GC (Auxiliary Hydraulics) .....	8-8
8-5	Pump Lines Installation - TH417C GC (No Auxiliary Hydraulics) .....	8-10
8-6	Pump Lines Installation - TH417C GC (Auxiliary Hydraulics) .....	8-12
8-7	Steering Installation - TH414C GC .....	8-14
8-8	Steering Installation - TH417C GC .....	8-16
8-9	Upper Brake Lines Installation - TH414C GC .....	8-18
8-10	Upper Brake Lines Installation - TH417C GC .....	8-22
8-11	Lower Brake Lines Installation - TH414C GC .....	8-26
8-12	Lower Brake Lines Installation - TH417C GC .....	8-28
8-13	Implement Lines Installation - TH414C GC (No Aux Hydraulics) .....	8-30
8-14	Implement Lines Installation - TH414C GC (Auxiliary Hydraulics) .....	8-32
8-15	Implement Lines Installation - TH417C GC (No Aux Hydraulics) .....	8-34
8-16	Implement Lines Installation - TH417C GC (Auxiliary Hydraulics) .....	8-36
8-17	Leveling and Outriggers Installation - TH414C GC .....	8-38
8-18	Leveling and Outriggers Installation - TH417C GC .....	8-40
8-19	Outrigger Leg Assembly .....	8-42
8-20	Breather Installation .....	8-44
8-21	Remote Grease System Installation .....	8-46
8-22	Boom Remote Grease Installation - TH414C GC .....	8-48
8-23	Boom Remote Grease Installation - TH417C GC .....	8-50
8-24	Auxiliary Lines Installation .....	8-52
8-25	Transmission Cooling Installation .....	8-54

## SECTION 9 –

<b>HYDRAULIC COMPONENTS .....</b>	<b>9-1</b>	
9-1	Lift Cylinder .....	9-2
9-2	Lift Cylinder .....	9-4
9-3	Lift Cylinder .....	9-6
9-4	Lift Cylinder .....	9-8
9-5	Extend/Retract Cylinder - TH414C GC .....	9-10
9-6	Extend/Retract Cylinder - TH417C GC .....	9-12
9-7	Tilt Cylinder .....	9-14

# TABLE OF CONTENTS

FIGURE NO.	TITLE	PAGE NO.
9-8	Compensation Cylinder .....	9-16
9-9	Frame Level Cylinder - TH414C GC .....	9-18
9-10	Frame Level Cylinder - TH417C GC .....	9-20
9-11	Outrigger Cylinder .....	9-22
9-12	Main Control Valve (No Auxiliary Hydraulics) .....	9-24
9-13	Main Control Valve (Auxiliary Hydraulics) .....	9-28
9-14	Steering Select Valve .....	9-32
9-15	Outrigger Valve .....	9-34
9-16	Gear Pump .....	9-36
9-17	Hydraulic Tank .....	9-38
9-18	Hydraulic Park Brake Release Valve - TH417C GC .....	9-40
9-19	Hydraulic Oil Filter .....	9-42
9-20	Outrigger Valve .....	9-44

## SECTION 10 –

### **ELECTRICAL ..... 10-1**

10-1	Engine Electrical Installation .....	10-2
10-2	200 Amp Relay .....	10-4
10-3	Battery Installation .....	10-6
10-4	Cab Electrical Installation .....	10-8
10-5	UGM Control .....	10-10
10-6	PCB Electrical Assembly .....	10-12
10-7	PC Board .....	10-14
10-8	LSI Installation .....	10-16
10-9	Radio Installation .....	10-18
10-10	Cab Earth Installation .....	10-20
10-11	Horn Installation .....	10-22
10-12	Boom Angle Sensor Installation - TH414C GC .....	10-24
10-13	Boom Angle Sensor Installation With Folding Lights - TH414C GC .....	10-26
10-14	Boom Angle Sensor Installation - TH417C GC .....	10-28
10-15	Boom Angle Sensor Installation With Folding Lights - TH417C GC .....	10-30
10-16	Boom Retract Sensor Installation - TH414C GC .....	10-32
10-17	Boom Retract Sensor Installation - TH417C GC .....	10-34
10-18	LSI Sensor Installation .....	10-36
10-19	Back-Up Alarm Installation .....	10-38
10-20	Back-Up Alarm Installation, Folding Lights .....	10-40
10-21	White Noise Back-Up Alarm Installation .....	10-42
10-22	White Noise Back-Up Alarm Installation, Folding Lights .....	10-44
10-23	Chassis Harness Installation - TH414C GC .....	10-46
10-24	Chassis Harness Installation - TH417C GC .....	10-48
10-25	Dash Electrical Installation .....	10-50
10-26	Cab Worklights Installation (No HAC) .....	10-52
10-27	Cab Worklights Installation (HAC) .....	10-54
10-28	Driving Lights Installation (Germany and CE) .....	10-56
10-29	Driving Lights Installation (UK and Ireland) .....	10-58

# TABLE OF CONTENTS

FIGURE NO.	TITLE	PAGE NO.
10-30	Beacon Installation .....	10-60
10-31	Beacon Ready Installation .....	10-62
10-32	Outriggers Deployed Installation - TH417C GC .....	10-64
10-33	Cold Weather Pack Installation .....	10-66
10-34	Thermal Bypass Installation .....	10-68
10-35	-30 Degree Celsius Battery Installation .....	10-70
10-36	Heater Block Installation .....	10-72
10-37	Engine Harness .....	10-74
10-38	Chassis Harness .....	10-78
10-39	Cab Harness .....	10-82
10-40	Cab Power Harness .....	10-90
10-41	Radio Harness .....	10-92
10-42	Worklights Harness .....	10-94
10-43	Light Extension Harness .....	10-96
10-44	Beacon Harness .....	10-98
10-45	Outriggers Deployed Chassis Harness - TH417C GC .....	10-100
10-46	Outriggers Deployed Cab Harness - TH417C GC .....	10-102
10-47	Roof Wiper Harness .....	10-104
10-48	HAC Cab Harness .....	10-106
10-49	HAC Chassis Harness .....	10-108
10-50	Rear Lights Installation .....	10-110
10-51	Standard Rear Lights Installations .....	10-112
<b>SECTION 11 –</b>		
<b>DECALS .....</b>		<b>11-1</b>
11-1	Decal Location Installation .....	11-2
11-2	Joystick Decal Installation (Bucket Pattern) .....	11-6
11-3	Joystick Decal Installation (Fork Pattern) .....	11-8
11-4	Boom Decals Installation .....	11-10
11-5	Decal Installation (Russia) .....	11-12
11-6	Sound Plate Installation (106dB) .....	11-14
11-7	Sound Plate Installation (104dB) .....	11-16
11-8	Load Chart - TH414C GC .....	11-18
11-9	Load Chart - TH417C GC .....	11-20
11-10	Reflectors Installation .....	11-22
11-11	25KPH Decals Installation (France) .....	11-24
11-12	CAT Decal Installation - TH414C GC .....	11-26
11-13	CAT Decal Installation - TH417C GC .....	11-28
11-14	Construction Installation (UK and Ireland) .....	11-30
11-15	Construction Installation (CE) .....	11-32
11-16	Construction Installation (France) .....	11-34
11-17	EAC Decal Installation .....	11-36
11-18	Homologation Plate Installation (Spain) .....	11-38
11-19	Homologation Plate Installation (Italy) .....	11-40
11-20	Decal Homologation Installation (Italy) .....	11-42

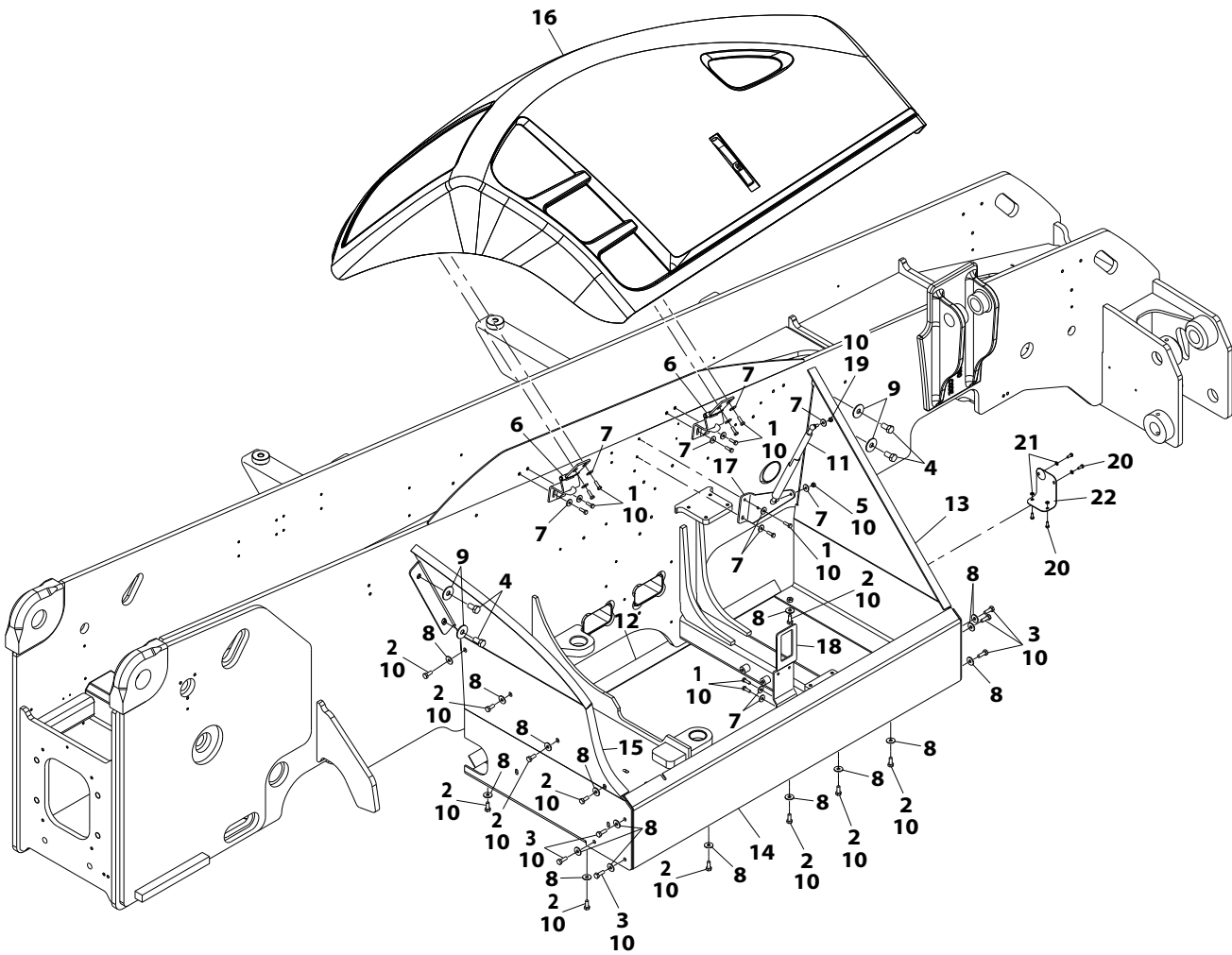
# TABLE OF CONTENTS

<b>FIGURE NO.</b>	<b>TITLE</b>	<b>PAGE NO.</b>
11-21	Homologation Plate Installation (Belgium) .....	11-46
<b>SECTION 12 –</b>		
<b>MAINTENANCE PARTS LIST</b>	.....	<b>12-1</b>
<b>SECTION 13 – PART NUMBER INDEX</b>	.....	<b>13-1</b>



## FRAME & ATTACHING PARTS

Figure 1-3 Enclosure Group Installation



ART\_1001150552-E



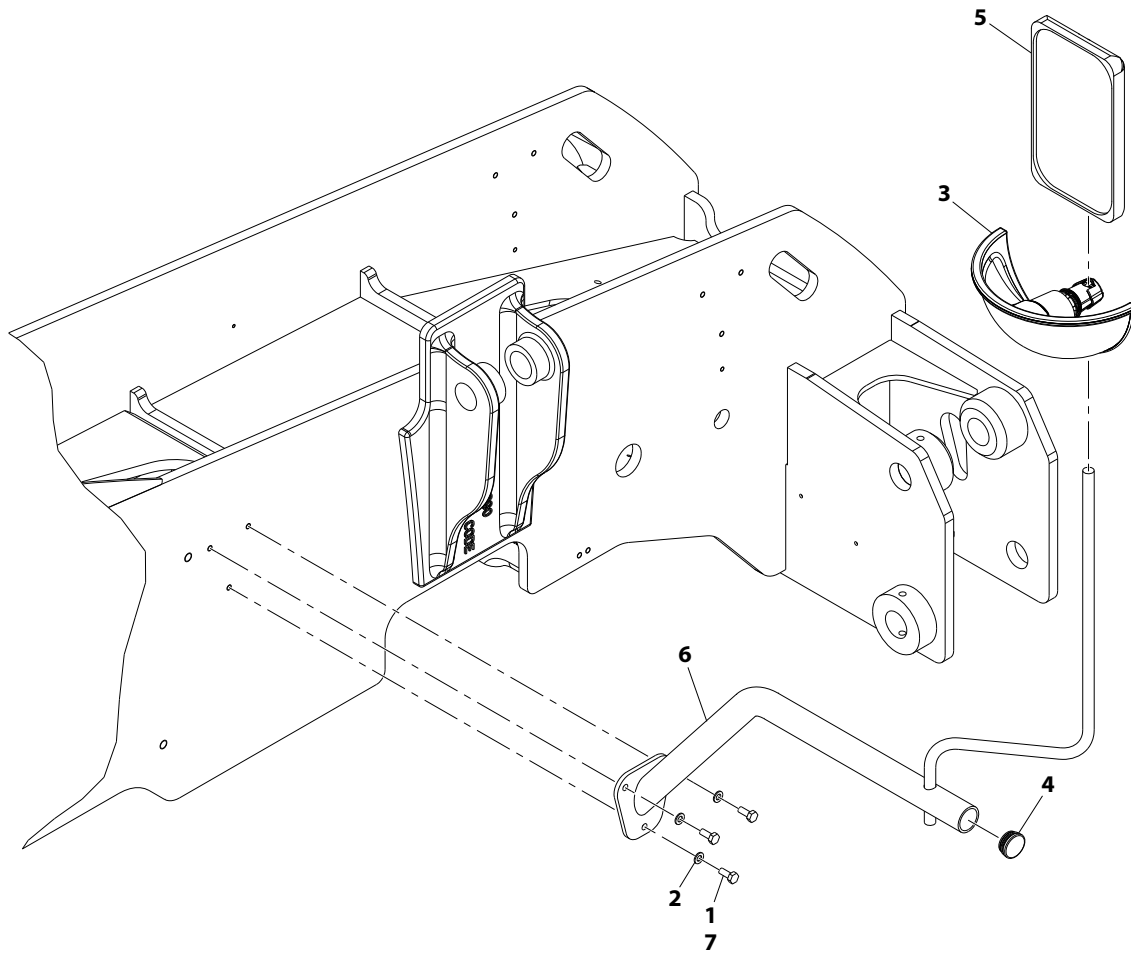
Figure 1-3 Enclosure Group Installation

Item	Part Number	Qty.	Description	Rev.
	461-2120	Ref	Enclosure Group Installation	E
1	8T-4908	12	Bolt, M8X25	
2	8T-4136	11	Bolt, M10X25	
3	8T-4195	6	Bolt, M10X30	
4	7X-2552	4	Bolt, M16X30	
5	5C-7261	1	Nut, M8X1.25	
6	420-9613	2	Hinge, Hood	
7	309-3997	13	Washer, M8	
8	116-8517	18	Washer, M10	
9	459-8918	4	Washer, M17	
10		AR	Loctite® 243™	
11	459-8867	1	Spring, Gas	
12	459-7669	1	Plate, Belly Pan	
13	468-1689	1	Panel, Front	
14	459-7671	1	Panel, Side	
15	459-7672	1	Panel, Rear	
16	458-8930	1	Cover, Hood (See HOOD ASSEMBLY for Breakdown)	
17	459-7673	1	Bracket, Gas Spring Mount	
18	459-7674	1	Plate, Latch	
19	298-0539	1	Nut, M10X1.5	
20	5C-9553	4	Bolt, M6X16	
21	8T-4205	4	Washer, M6	
22	468-1690	1	Panel, Drain	



## FRAME & ATTACHING PARTS

Figure 1-4 Mirror Installation - TH414C GC



ART\_1001144111-C



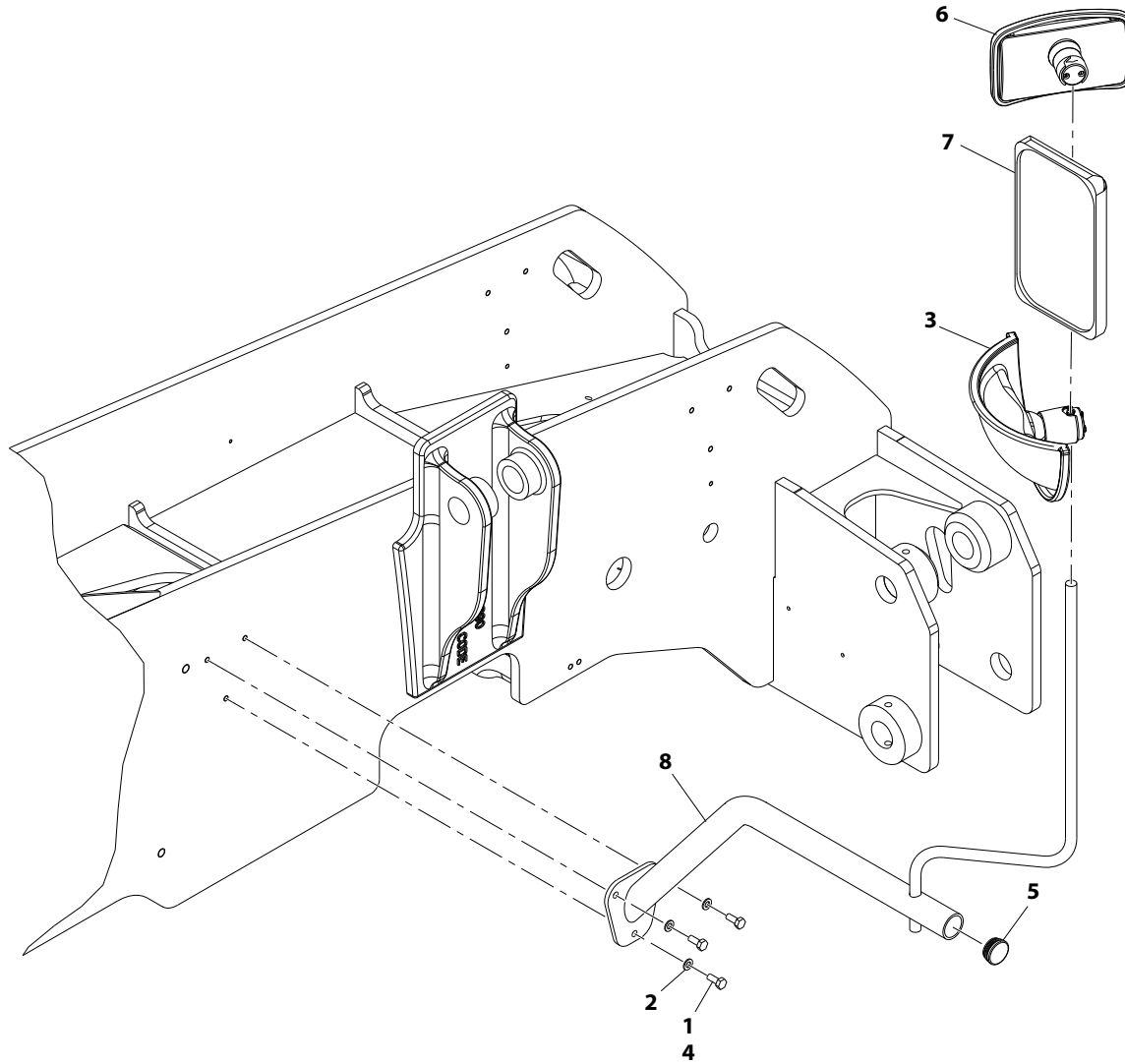
Figure 1-4 Mirror Installation - TH414C GC

Item	Part Number	Qty.	Description	Rev.
	459-3668	Ref	Mirror Installation - TH414C GC	C
1	8T-4136	3	Bolt, M10X25	
2	8T-4121	3	Washer, M10	
3	336-7619	1	Assembly, Mirror (See MIRROR ASSEMBLY for Breakdown)	
4	314-5567	1	Cap, Lamp Bracket	
5	434-3614	1	Mirror, Convex	
6	459-3669	1	Bracket, Mirror	
7		AR	Loctite® 243™	



# FRAME & ATTACHING PARTS

Figure 1-5 Mirror Installation - TH417C GC



ART\_1001171098-C



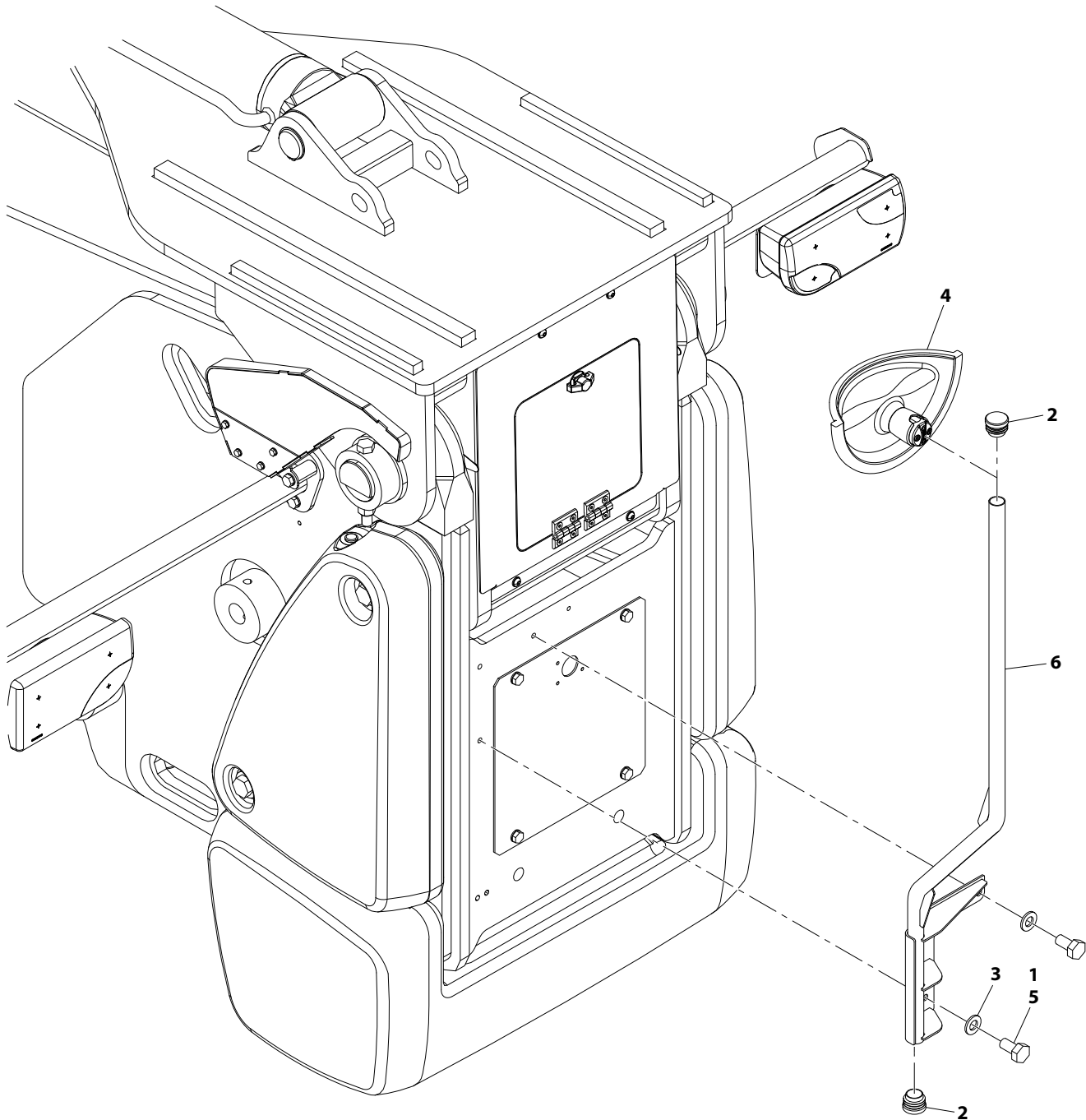
Figure 1-5 Mirror Installation - TH417C GC

Item	Part Number	Qty.	Description	Rev.
	459-9616	Ref	Mirror Installation - TH417C GC	C
1	8T-4136	3	Bolt, M10X25	
2	8T-4121	3	Washer, M10	
3	336-7619	1	Assembly, Mirror (See MIRROR ASSEMBLY for Breakdown)	
4		AR	Loctite® 243™	
5	314-5567	1	Cap, Lamp Bracket	
6	424-0720	1	Mirror, Convex	
7	434-3614	1	Mirror, Convex	
8	459-3669	1	Bracket, Mirror	



## FRAME & ATTACHING PARTS

Figure 1-6 Rear Mirror Installation



ART\_1001179993-A

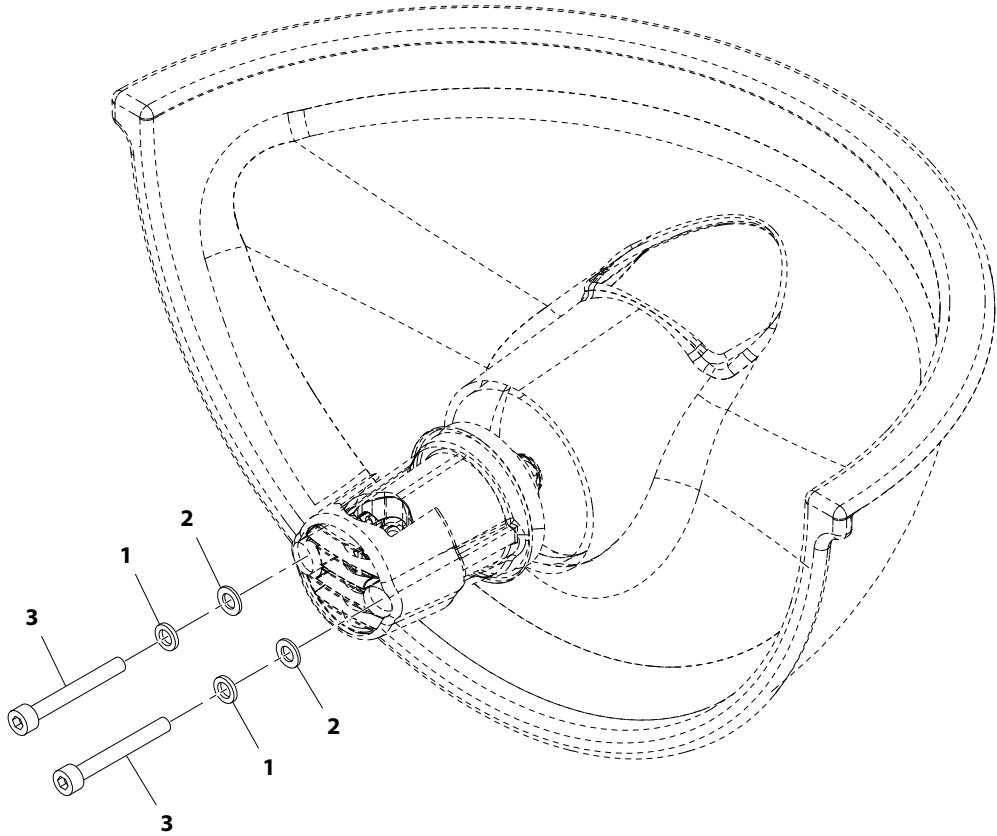


Figure 1-6 Rear Mirror Installation

Item	Part Number	Qty.	Description	Rev.
	470-9725	Ref	Rear Mirror Installation, (If equipped)	A
1	8T-4137	3	Bolt, M10X20	
2	470-9726	2	Cap	
3	8T-4121	3	Washer, M10	
4	336-7619	1	Assembly, Mirror (See MIRROR ASSEMBLY for Breakdown)	
5		AR	Loctite® 243™	
6	470-9727	1	Bracket	



**Figure 1-7 Mirror Assembly**



ART\_1001008436-C



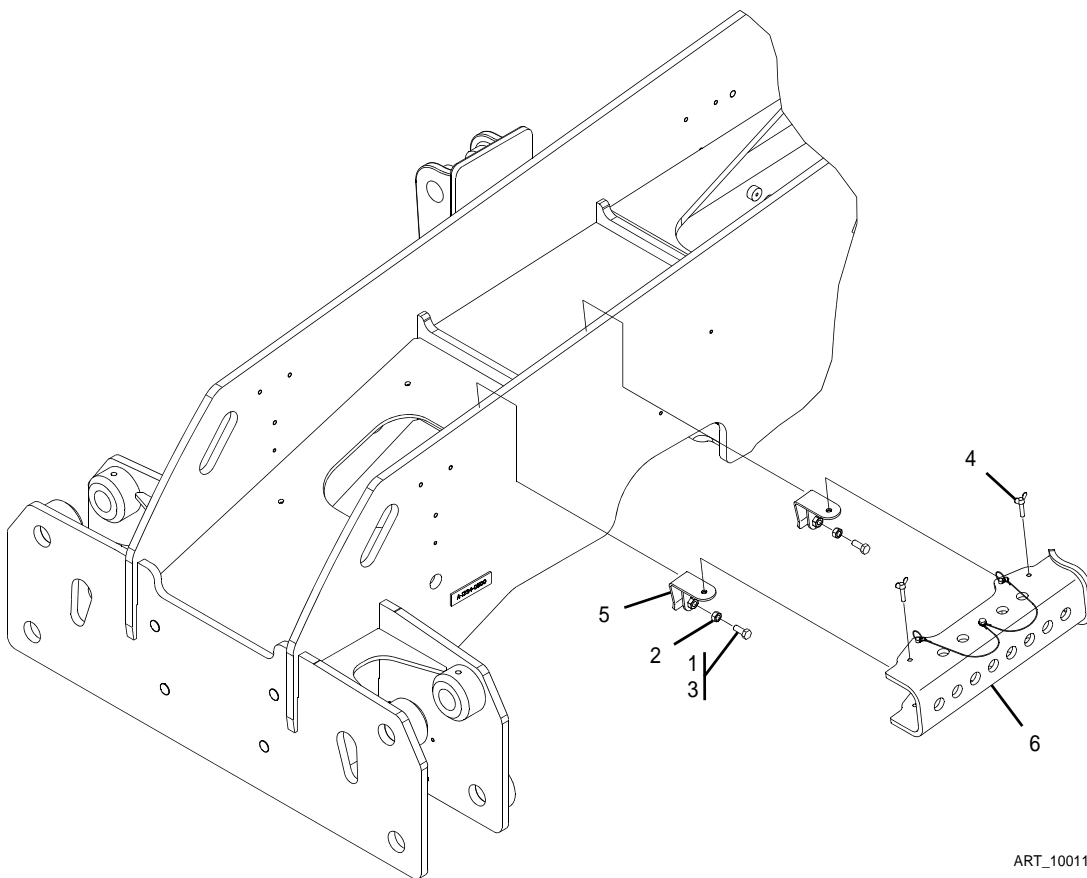
Figure 1-7 Mirror Assembly

Item	Part Number	Qty.	Description	Rev.
1	336-7619	Ref	Mirror Assembly	C
2	3B-4503	2	Washer, Lock M12	
2	8T-0328	2	Washer	
3	281-0791	2	Bolt	



## FRAME & ATTACHING PARTS

Figure 1-8 Boom Prop Installation



ART\_1001164211-B



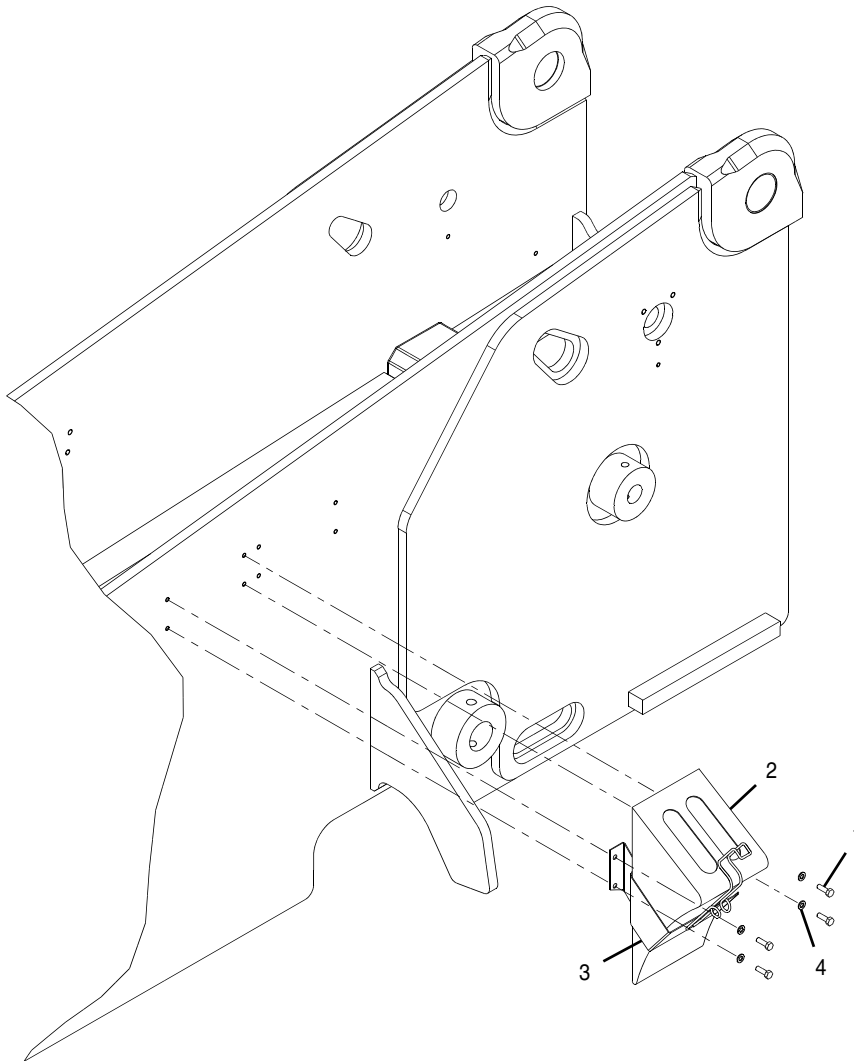
Figure 1-8 Boom Prop Installation

Item	Part Number	Qty.	Description	Rev.
	459-8830	Ref	Boom Prop Installation	B
1	8T-4139	2	Bolt, M12X30	
2	471-2121	2	Nut, M12X1.75	
3		AR	Loctite® 243™	
4	327-1059	2	Bolt, Wing M8X40	
5	327-1058	2	Bracket, Boom Prop Mount	
6	459-8831	1	Bracket, Boom Prop	



## FRAME & ATTACHING PARTS

Figure 1-9 Wheel Chock Installation



ART\_1001157868-A



Figure 1-9 Wheel Chock Installation

Item	Part Number	Qty.	Description	Rev.
	459-8838	Ref	Wheel Chock Installation	A
1	8T-4908	4	Bolt, M8X25	
2	368-5401	1	Wedge	
3	368-5402	1	Holder, Wedge	
4	8T-4224	4	Washer, M8	



**Suggest:**

**If the above button click is invalid.**

**Please download this document**

**first, and then click the above link**

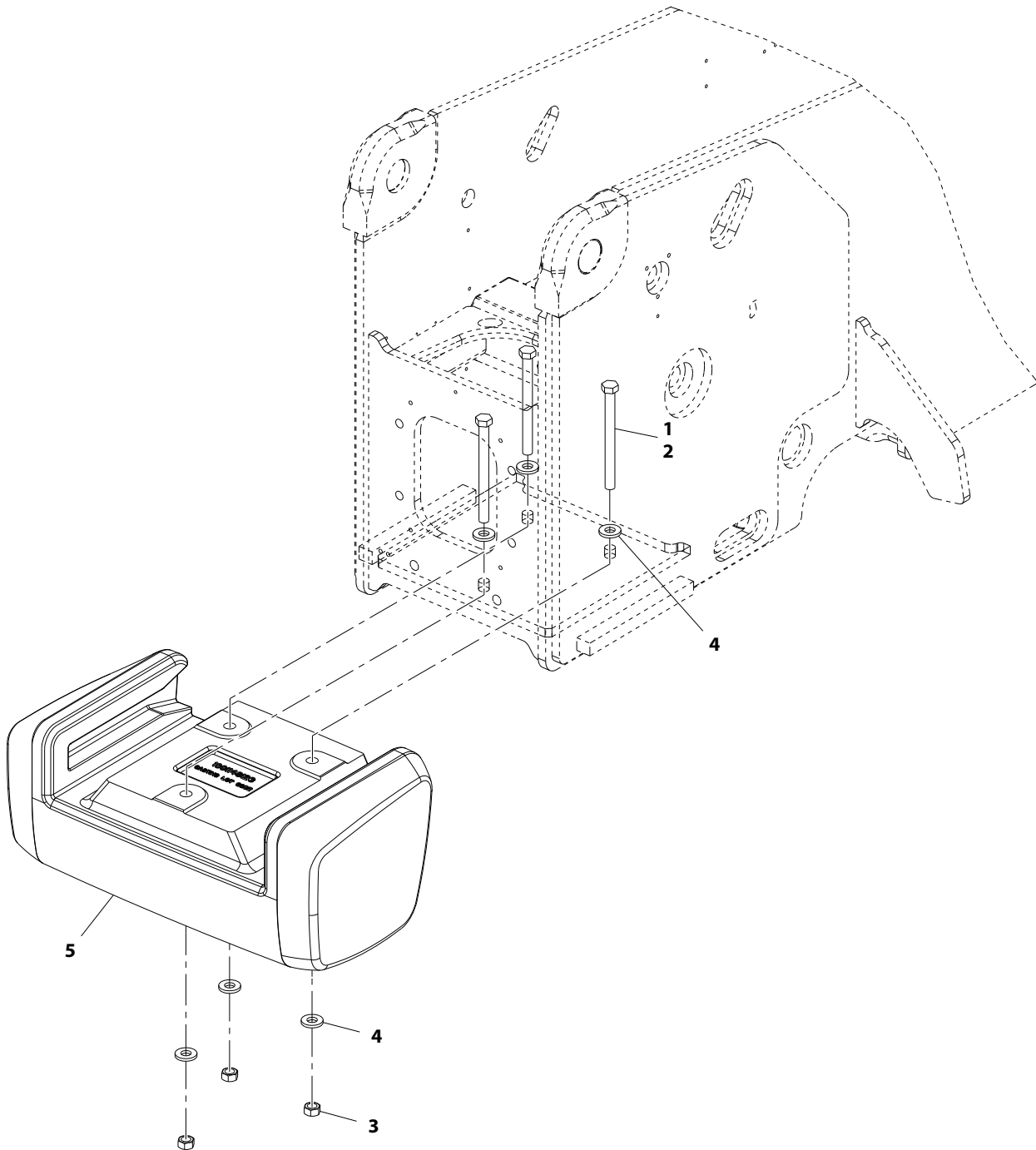
**to download the complete manual.**

**Thank you so much for reading**



## FRAME & ATTACHING PARTS

Figure 1-10 Counterweight Installation - TH414C GC



ART\_1001150401-B

**<https://www.ebooklibonline.com>**

Hello dear friend!

Thank you very much for reading.

Enter the link into your browser.

The full manual is available for immediate download.

**<https://www.ebooklibonline.com>**