

# Parts Manual

---

## **TH360B Telehandler**

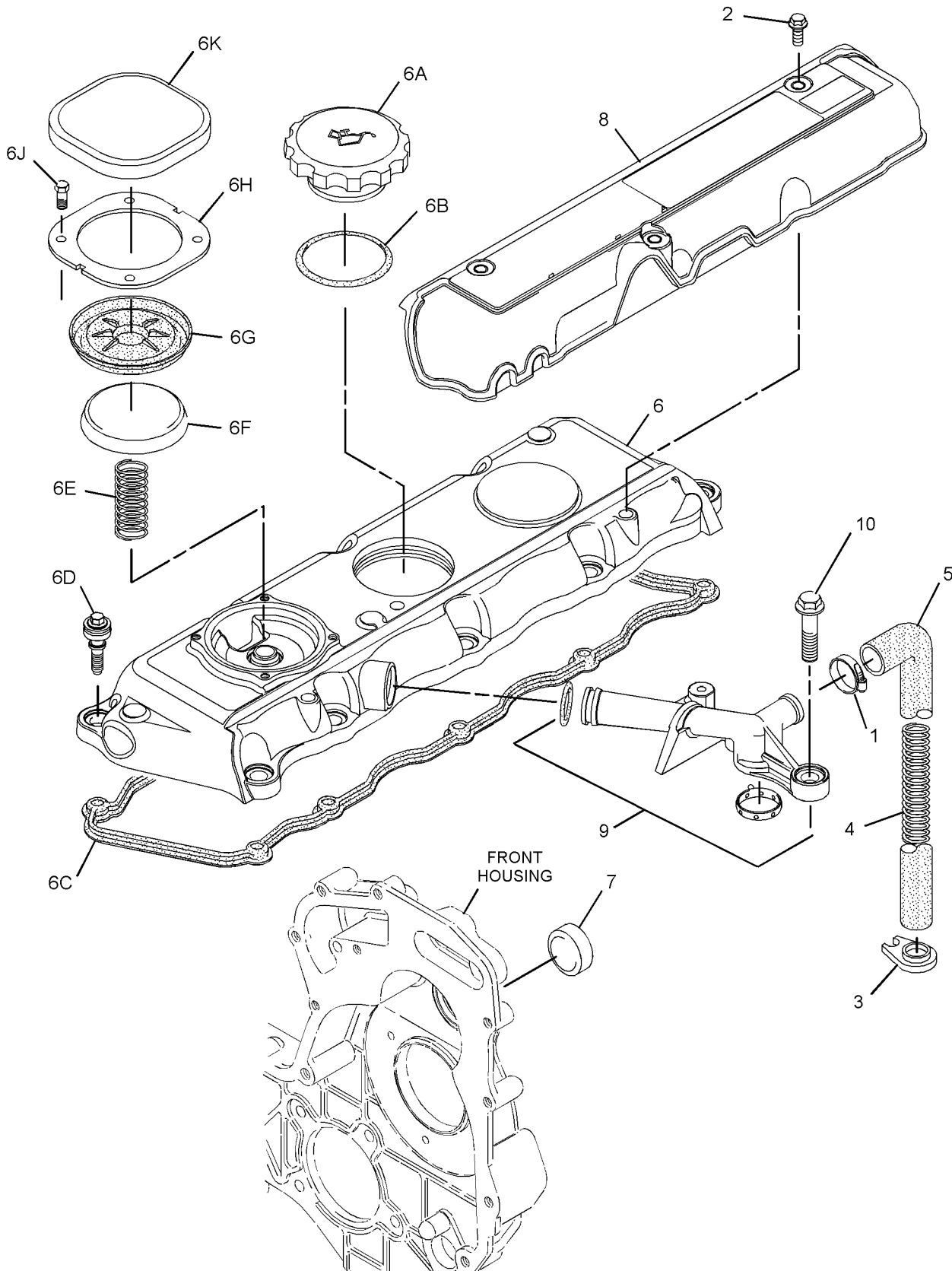
---

S/N TBH00100 thru TBH01008



# BASIC ENGINE

239-5602 COVER GP - VALVE MECHANISM (contd.)



GRAPHIC #1

<END>

g01264737

# BASIC ENGINE

## 234-2670 CRANKSHAFT GP

PART OF 176-3180 ENGINE AR-PRIMARY  
AN ATTACHMENT

NOTE	REF NO	GRAPHIC REF	PART NUMBER	QTY	PART NAME						SEE PAGE
					1	2	3	4	5	6 (PRODUCT LEVEL)	
	1	1	<b>216-8314</b>	1	GEAR-CRANKSHAFT (34-TEETH)						
	2	1	<b>225-8841</b>	1	CRANKSHAFT GP						
	3	1	<b>1B-8736</b>	1	KEY-WOODRUFF						
	4	1	<b>032-9090</b>	2	WASHER-THRUST (STANDARD-UPPER)						
AB		1	<b>067-6873</b>		WASHER-THRUST (0.18-MM OS)						
	5	1	<b>032-9091</b>	2	WASHER-THRUST (STANDARD-LOWER)						
AB		1	<b>067-6874</b>		WASHER-THRUST (0.18-MM OS)						
	6	1	<b>225-7772</b>	1	BEARING SET-MAIN (STANDARD)						
AB		1	<b>233-3784</b>		KIT-CRANKSHAFT BEARING (0.25-MM OS)						
AB		1	<b>233-3785</b>		KIT-CRANKSHAFT BEARING (0.5-MM OS)						
AB		1	<b>233-3786</b>		KIT-CRANKSHAFT BEARING (0.76-MM OS)						
	7	1	<b>225-7781</b>	1	BEARING SET-ROD						
AB		1	<b>233-3788</b>		KIT-ROD BEARING (0.25-MM OS)						
AB		1	<b>233-3789</b>		KIT-ROD BEARING (0.51-MM OS)						
AB		1	<b>233-3790</b>		KIT-ROD BEARING (0.76-MM OS)						
	8	1	<b>225-8839</b>	1	DOWEL						
	9	1	<b>249-9227</b>	1	RING-TIMING						

A - NOT PART OF THIS GROUP  
B - USE AS REQUIRED

**<https://www.ebooklibonline.com>**

Hello dear friend!

Thank you very much for reading.

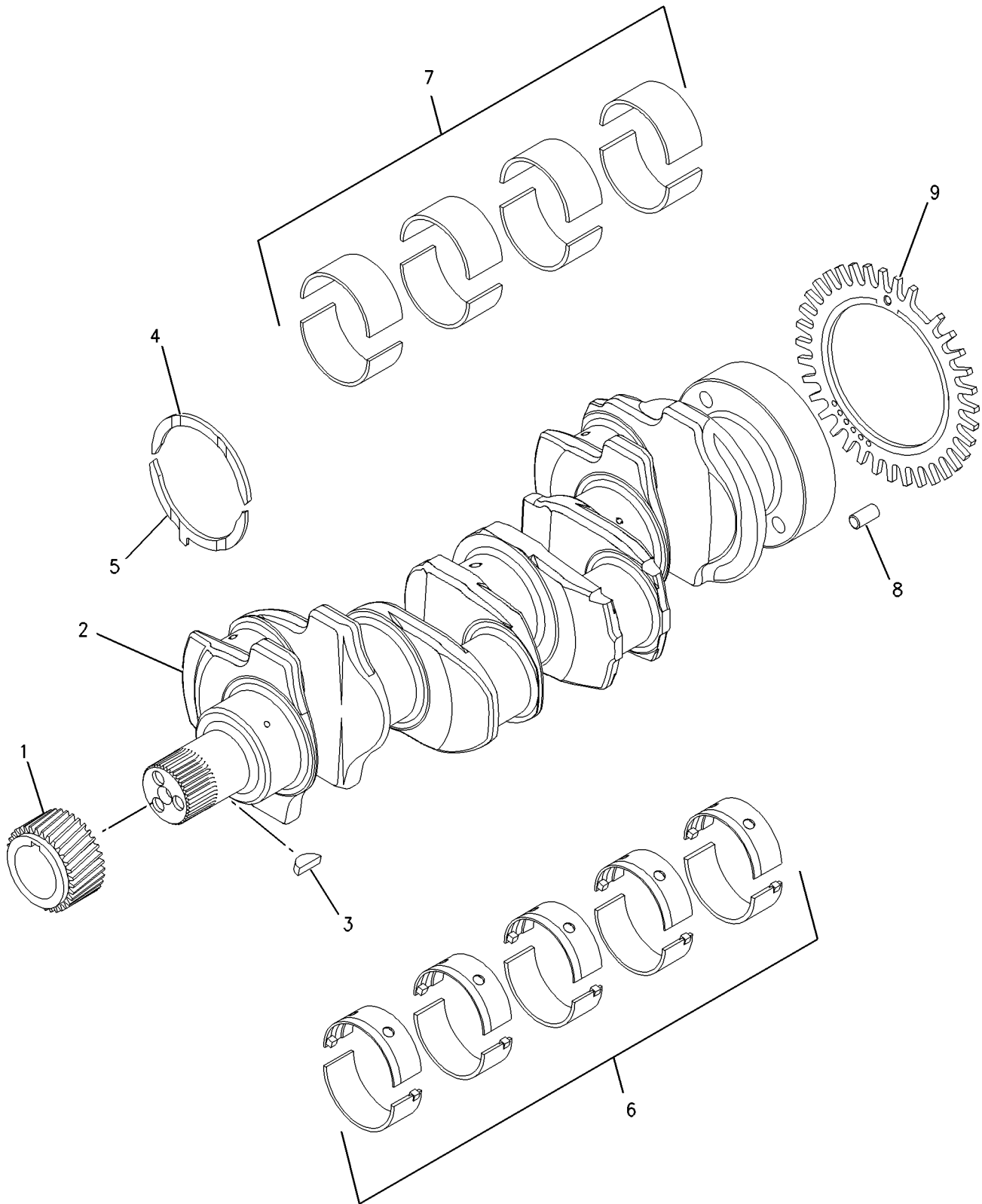
Enter the link into your browser.

The full manual is available for immediate download.

**<https://www.ebooklibonline.com>**

# BASIC ENGINE

234-2670 CRANKSHAFT GP (contd.)



GRAPHIC #1

<END>

g00908707

# BASIC ENGINE

## 232-7604 CYLINDER BLOCK GP

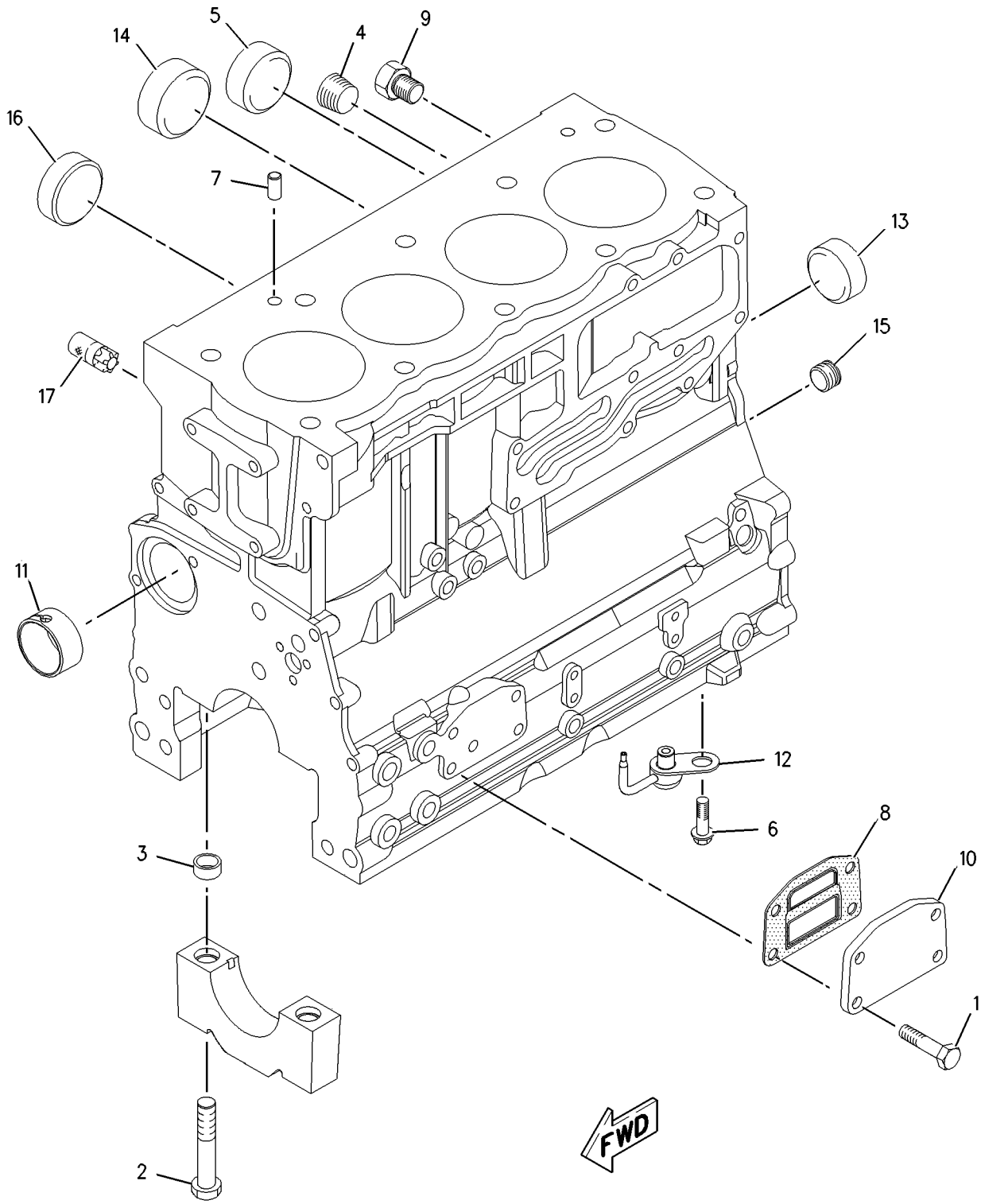
PART OF 234-2669 CYLINDER BLOCK GP  
AN ATTACHMENT

NOTE	REF NO	GRAPHIC REF	PART NUMBER	QTY	PART NAME						SEE PAGE
					1	2	3	4	5	6 (PRODUCT LEVEL)	
	1	1	<b>6I-0572</b>	4	BOLT (M8X1.25X20-MM)						
	2	1	<b>035-8068</b>	10	BOLT (5/8-18X3.75-IN)						
	3	1	<b>067-6002</b>	10	DOWEL						
	4	1	<b>067-6006</b>	1	PLUG						
	5	1	<b>067-6043</b>	1	PLUG-SIDE						
M	6	1	<b>100-4841</b>	4	BOLT (M6X1X10-MM)						
	7	1	<b>185-0884</b>	2	DOWEL						
	8	1	<b>225-7944</b>	1	GASKET (ENGINE OIL FILTER BASE)						
	9	1	<b>225-8858</b>	2	PLUG						
	10	1	<b>232-3751</b>	1	PLATE						
	11	1	<b>232-7440</b>	1	BEARING						
	12	1	<b>276-5605</b>	4	JET AS-PISTON COOLING						
	13	1	<b>232-7596</b>	1	PLUG						
	14	1	<b>232-7597</b>	2	PLUG						
	15	1	<b>232-7599</b>	1	PLUG						
	16	1	<b>232-7600</b>	1	PLUG-CUP						
	17	1	<b>232-7603</b>	1	PLUG						

M-METRIC PART

# BASIC ENGINE

232-7604 [CYLINDER]BLOCK[GP](contd.)



GRAPHIC #1

<END>

g00951214

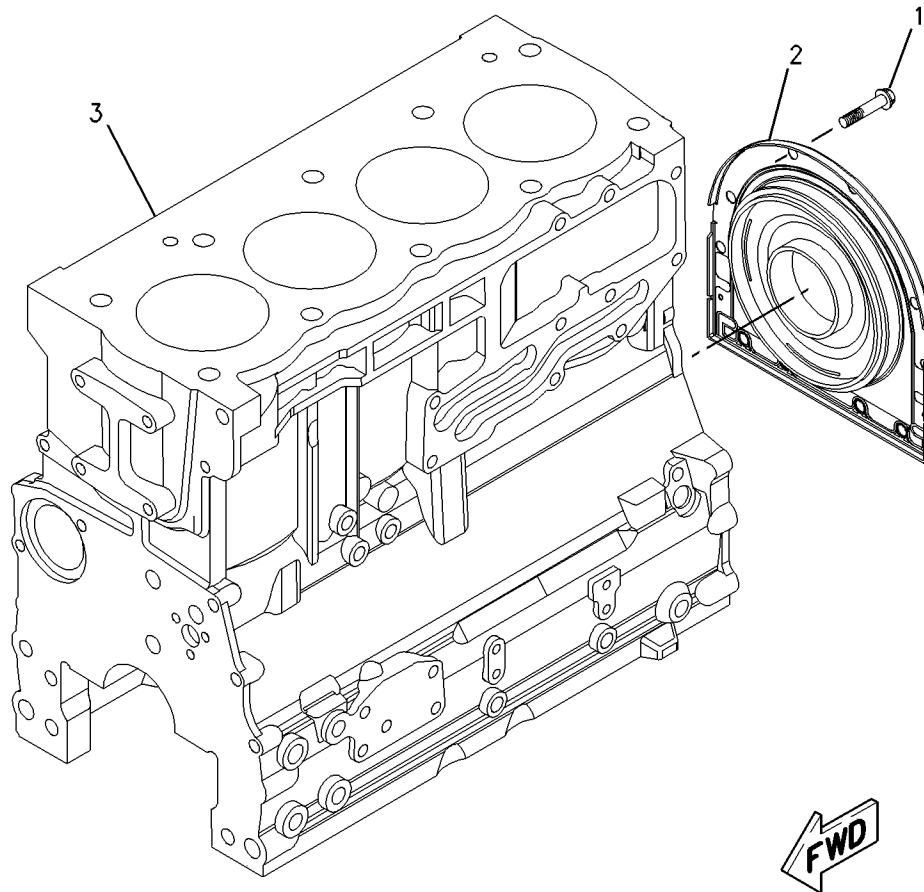
# BASIC ENGINE

## 234-2669 CYLINDER BLOCK GP

PART OF 176-3180 ENGINE AR-PRIMARY  
AN ATTACHMENT

NOTE	REF NO	GRAPHIC REF	PART NUMBER	QTY	PART NAME						SEE PAGE
					1	2	3	4	5	6 (PRODUCT LEVEL)	
M	1	1	209-9219	10	BOLT (M8X1.25X16-MM)						
	2	1	232-7449	1	HOUSING AS						
Y	3	1	232-7604	1	CYLINDER BLOCK GP						21

M- METRIC PART  
Y- SEPARATE ILLUSTRATION



GRAPHIC #1

<END>

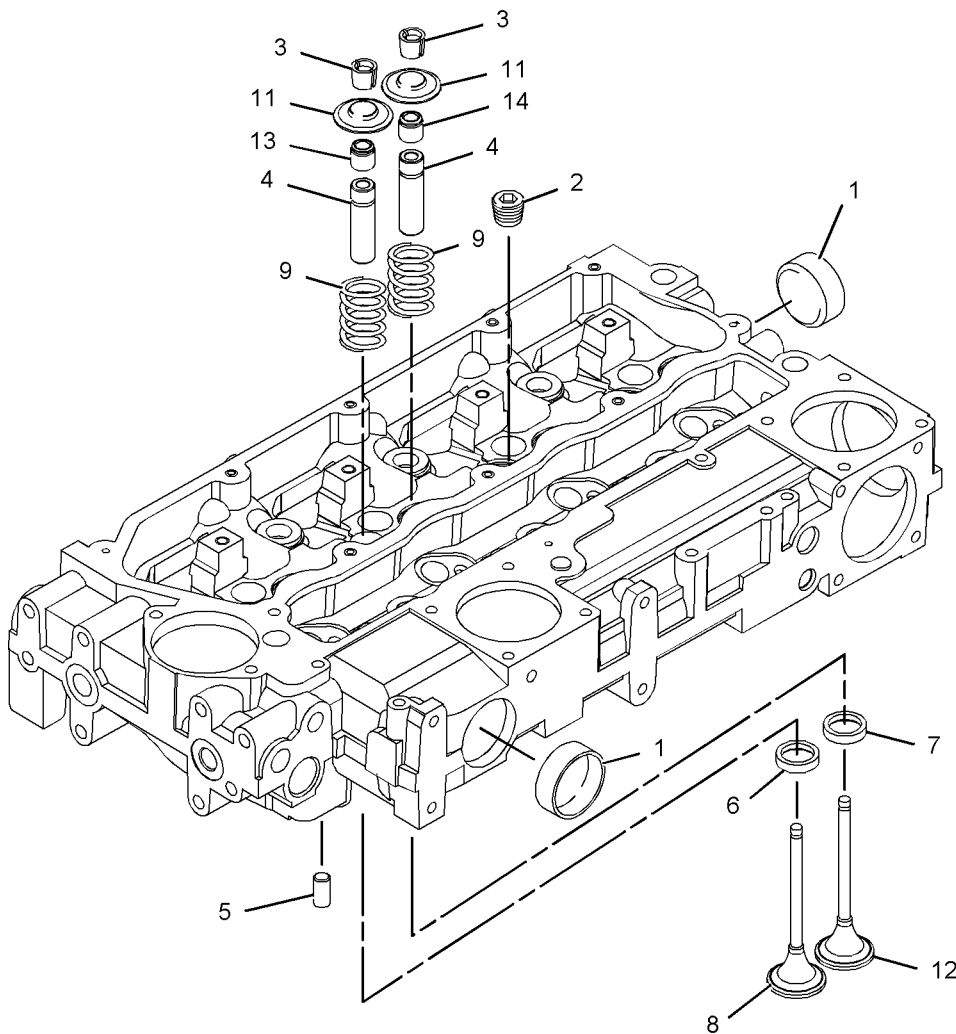
g00952056

# BASIC ENGINE

## 225-5505 CYLINDER HEAD GP

PART OF 234-2672 CYLINDER HEAD GP  
AN ATTACHMENT

NOTE	REF NO	GRAPHIC REF	PART NUMBER	QTY	PART NAME						SEE PAGE
					1	2	3	4	5	6 (PRODUCT LEVEL)	
	1	1	9Y-5015	2	PLUG-FREEZE						
	2	1	067-6006	4	PLUG						
	3	1	147-1979	16	RETAINER-VALVE SPRING						
	4	1	185-0882	8	GUIDE-VALVE (INTAKE)						
	5	1	185-0884	2	DOWEL						
	6	1	225-5493	4	INSERT-VALVE (INLET)						
	7	1	225-5494	4	INSERT-VALVE (EXHAUST)						
	8	1	225-5495	4	VALVE-INLET						
	9	1	225-5496	8	SPRING-VALVE						
	11	1	225-5498	8	CAP						
	12	1	225-5499	4	VALVE-EXHAUST						
	13	1	252-6438	4	SEAL-INLET VALVE						
	14	1	254-3954	4	SEAL-EXHAUST VALVE						



GRAPHIC #1

<END>

g01095858

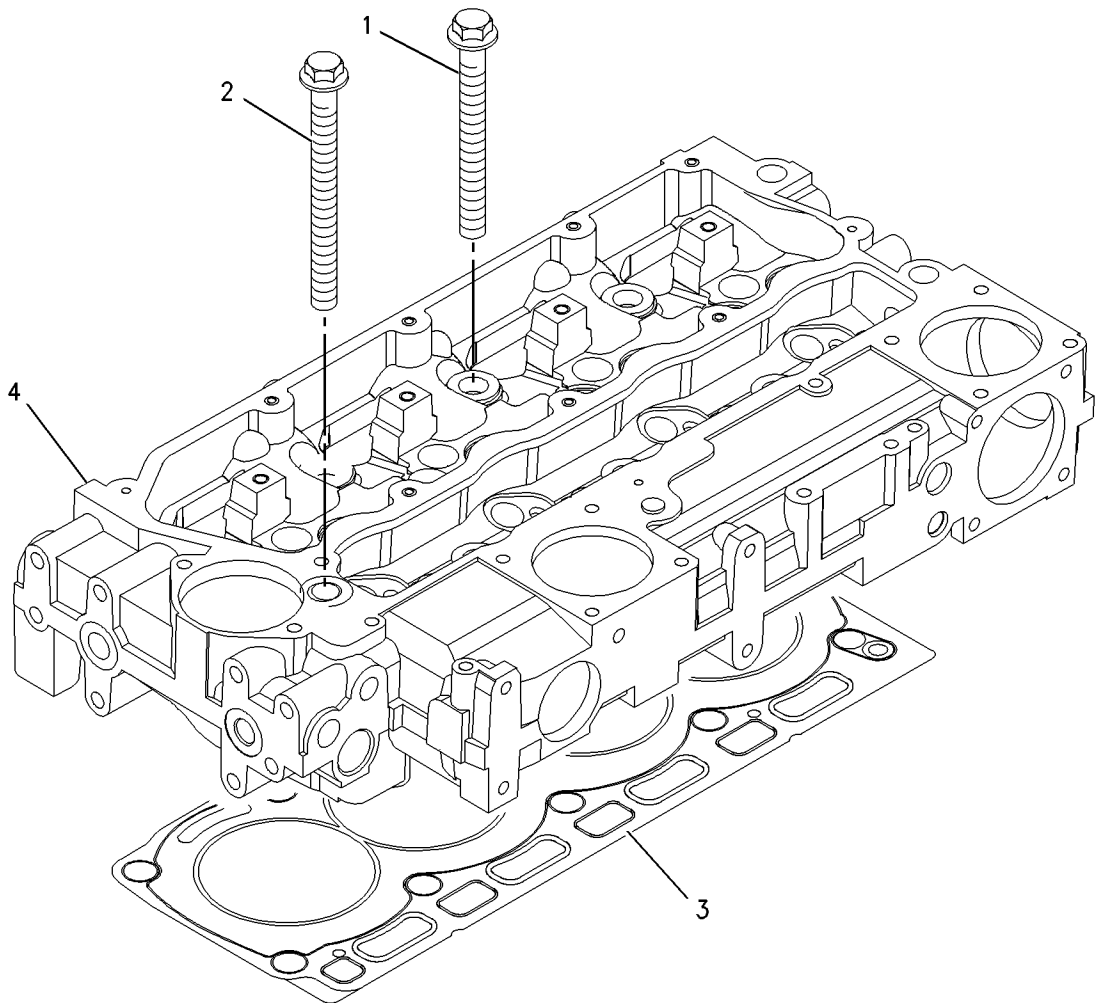
# BASIC ENGINE

## 234-2672 CYLINDER HEAD GP

PART OF 176-3180 ENGINE AR-PRIMARY  
AN ATTACHMENT

NOTE	REF NO	GRAPHIC REF	PART NUMBER	QTY	PART NAME						SEE PAGE
					1	2	3	4	5	6 (PRODUCT LEVEL)	
	1	1	225-5501	7	BOLT (M15X1.5X137-MM)						
	2	1	225-5502	3	BOLT (M15X1.5X162-MM)						
	3	1	240-7194	1	GASKET-HEAD						
Y	4	1	225-5505	1	CYLINDER HEAD GP						24

Y - SEPARATE ILLUSTRATION



GRAPHIC #1

<END>

g00909291

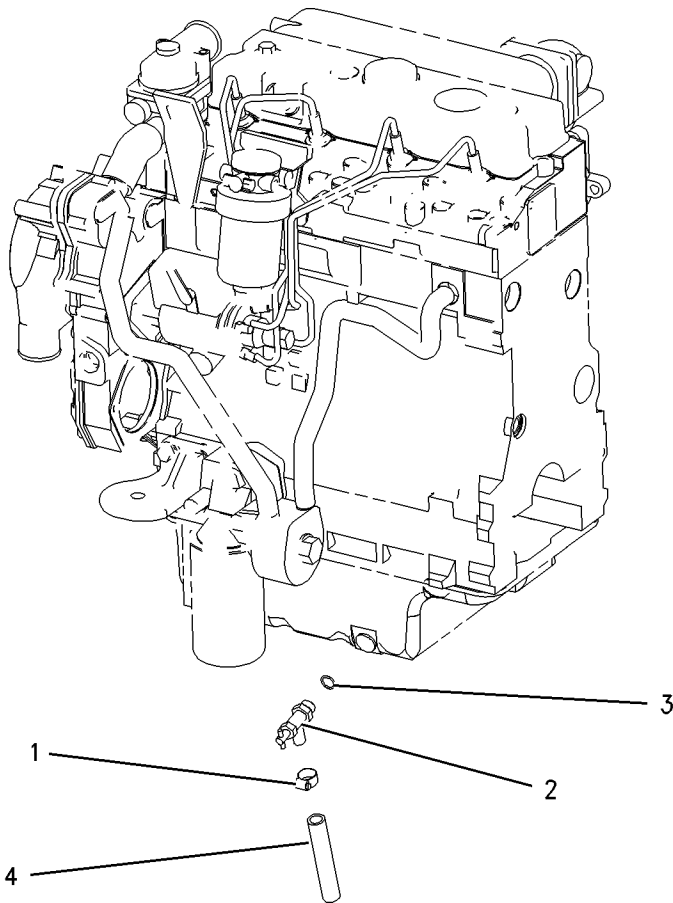
# BASIC ENGINE

## 180-3267 DRAIN GP - ENGINE OIL

PART OF 271-0945 INSTALLATION AR-ENGINE  
AN ATTACHMENT

NOTE	REF NO	GRAPHIC REF	PART NUMBER	QTY	PART NAME						SEE PAGE
					1	2	3	4	5	6 (PRODUCT LEVEL)	
	1	1	<b>5D-1026</b>	1	CLAMP - HOSE						
	2	1	<b>6V-7238</b>	1	VALVE - SHUTOFF (SUMP DRAIN)						
	3	1	<b>3K-0360</b>	1	SEAL - O-RING						
E	4	1	<b>5P-0743</b>		HOSE (13CM)						

E - ORDER BY THE CENTIMETER



GRAPHIC #1

<END>

g00879690

# BASIC ENGINE

## 178-8203 DRIVE GP FAN

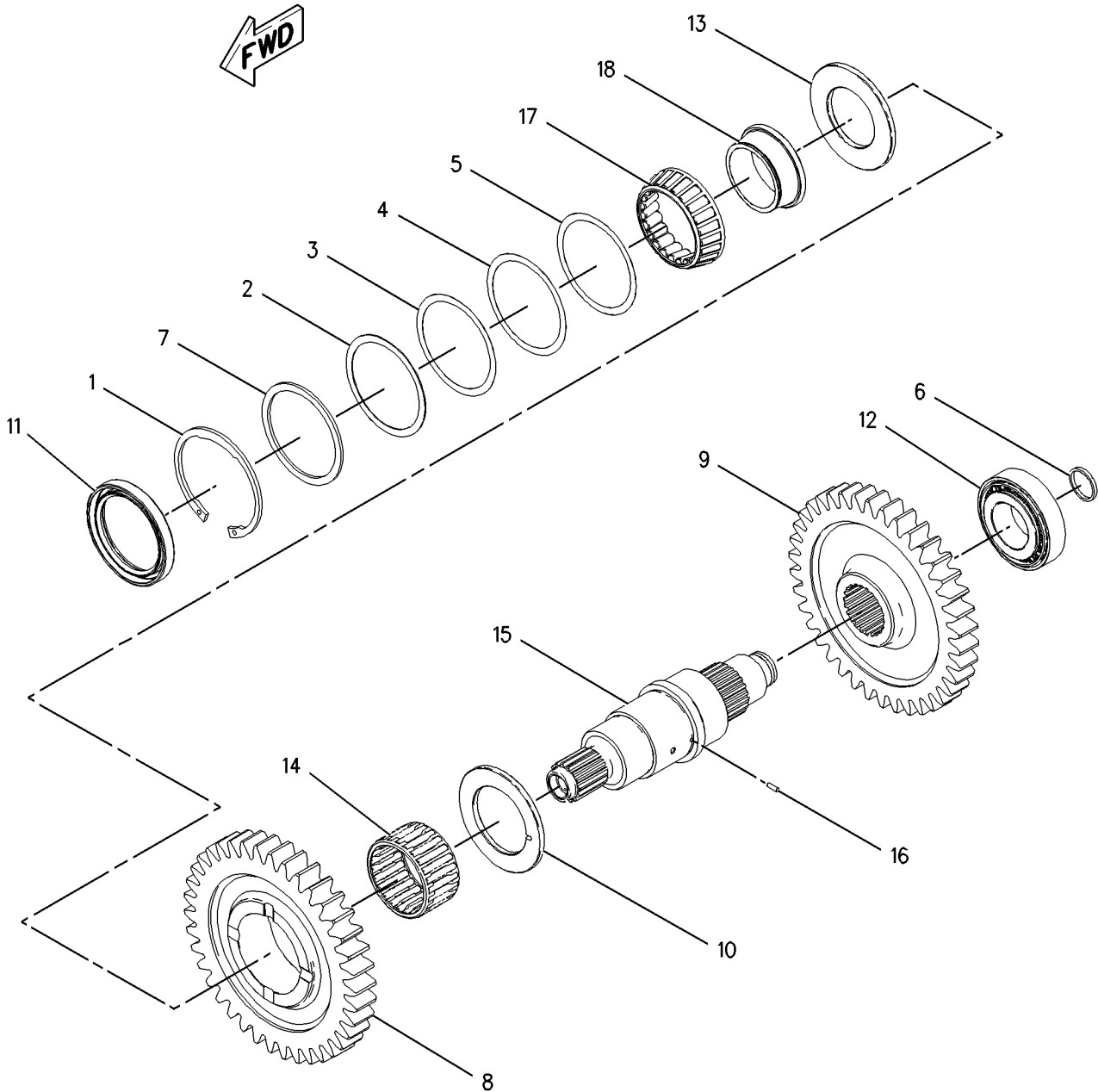
PART OF 268-9319 TRANSMISSION GP  
AN ATTACHMENT

NOTE	REF NO	GRAPHIC REF	PART NUMBER	QTY	PART NAME						SEE PAGE
					1	2	3	4	5	6 (PRODUCT LEVEL)	
	1	1	<b>095-0941</b>	1	RING-RETAINING						
B	2	1	<b>104-3288</b>	1	SHIM (0.05-MM THK)						
B	3	1	<b>121-2059</b>	1	SHIM (0.08-MM THK)						
B	4	1	<b>121-2060</b>	1	SHIM (0.18-MM THK)						
B	5	1	<b>121-2061</b>	1	SHIM (0.6-MM THK)						
	6	1	<b>122-1878</b>	1	RING-SEAL						
	7	1	<b>122-1879</b>	1	SPACER (58X67.5X2-MM THK)						
	8	1	<b>221-6795</b>	1	GEAR AS (38 TEETH)						
	9	1	<b>178-8125</b>	1	GEAR (38 TEETH)						
	10	1	<b>178-8129</b>	1	WASHER-THRUST						
	11	1	<b>178-8208</b>	1	SEAL-OIL						
	12	1	<b>190-1576</b>	1	BEARING AS-TAPERED ROLLER						
	13	1	<b>206-4383</b>	1	WASHER-THRUST						
	14	1	<b>209-3764</b>	1	BEARING AS-ROLLER						
	15	1	<b>221-6781</b>	1	SHAFT AS						
		1	<b>1P-0604</b>	1	PLUG-CUP						
		1	<b>178-8126</b>	1	SHAFT						
	16	1	<b>7T-3035</b>	1	PIN						
	17	1	<b>123-8905</b>	1	CUP-TAPERED ROLLER						
	18	1	<b>123-8906</b>	1	CUP-TAPERED ROLLER						

B-USE AS REQUIRED

# BASIC ENGINE

178 - 203 DRIVE GP - FAN (contd.)



GRAPHIC #1

<END>

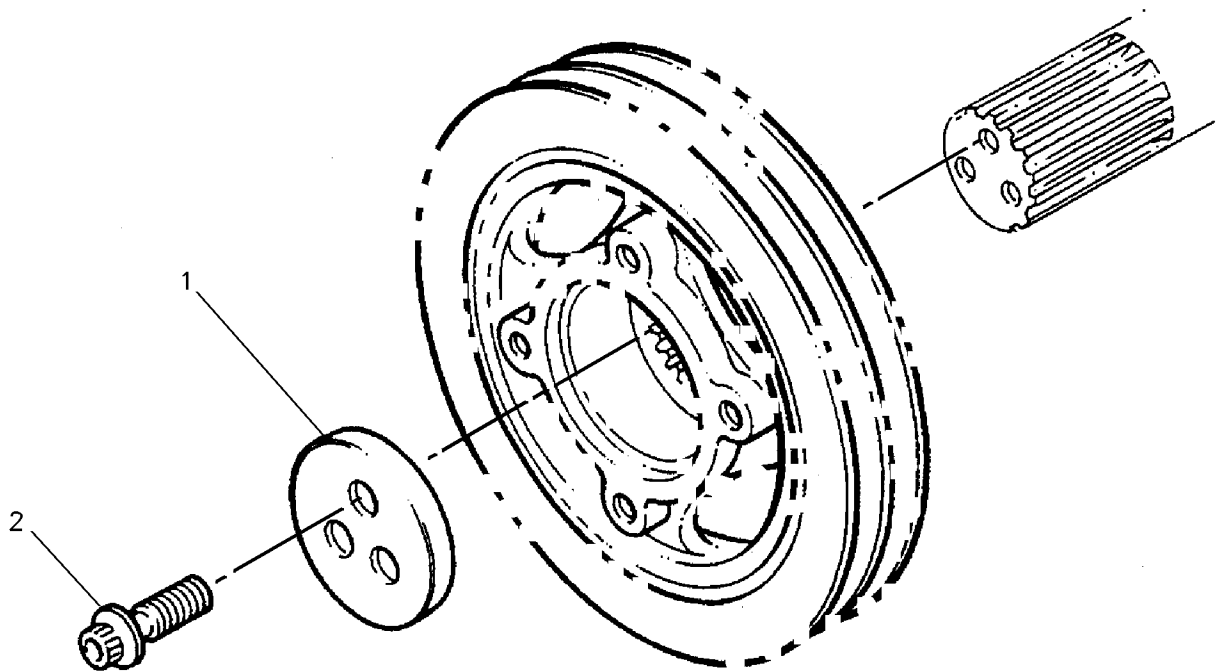
g00999932

# BASIC ENGINE

## 230-7354 FASTENER GP - PULLEY

PART OF 176-3180 ENGINE AR-PRIMARY  
AN ATTACHMENT

NOTE	REF NO	GRAPHIC REF	PART NUMBER	QTY	PART NAME						SEE PAGE
					1	2	3	4	5	6 (PRODUCT LEVEL)	
	1	1	<b>6I-0501</b>	1	BLOCK						
	2	1	<b>7W-4634</b>	3	BOLT (7/16-20X1.5-IN)						



GRAPHIC #1

<END>

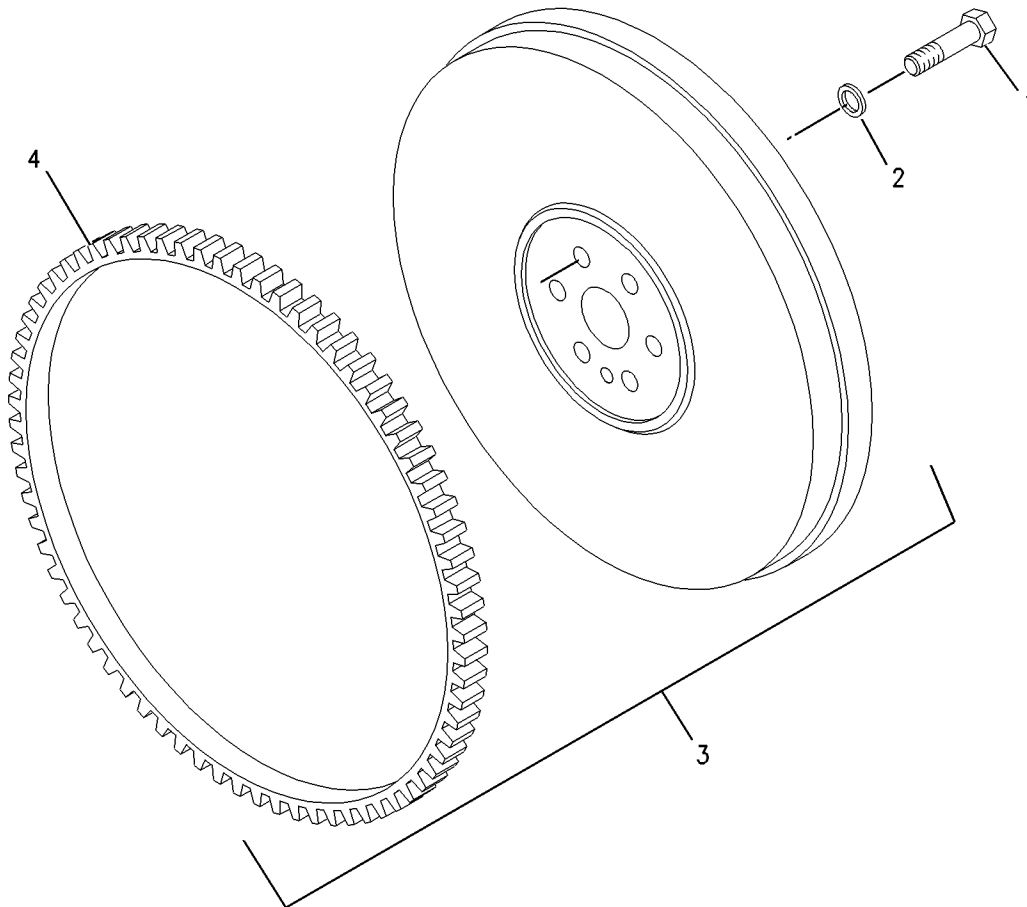
g00948929

# BASIC ENGINE

## 230-7300 FLYWHEEL GP

PART OF 176-3180 ENGINE AR-PRIMARY  
AN ATTACHMENT

NOTE	REF NO	GRAPHIC REF	PART NUMBER	QTY	PART NAME						SEE PAGE
					1	2	3	4	5	6 (PRODUCT LEVEL)	
	1	1	<b>0S-1603</b>	6	BOLT (1/2-20X1.5-IN)						
	2	1	<b>5P-8245</b>	6	WASHER-HARD (13.5X25.5X3-MM THK)						
	3	1	<b>245-9828</b>	1	FLYWHEEL AS						
	4	1	<b>033-7687</b>	1	RING-STARTING MOTOR (126-TEETH)						



GRAPHIC #1

<END>

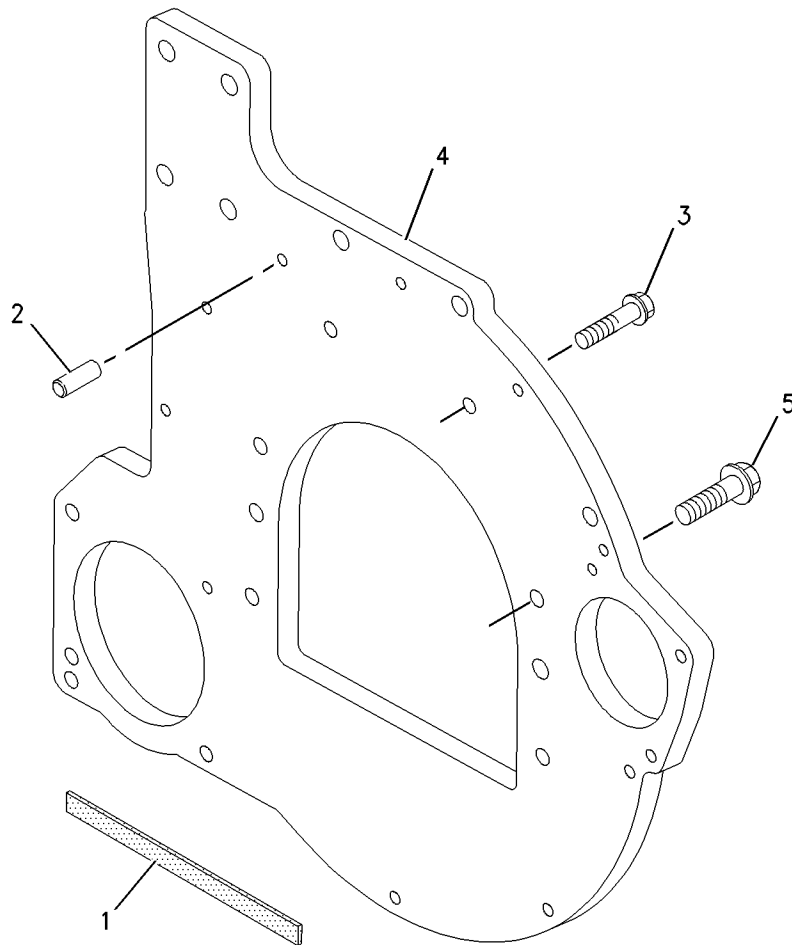
g00955555

# BASIC ENGINE

## 230-7928 HOUSING GP - FLYWHEEL

PART OF 176-3180 ENGINE AR-PRIMARY  
AN ATTACHMENT

NOTE	REF NO	GRAPHIC REF	PART NUMBER	QTY	PART NAME						SEE PAGE
					1	2	3	4	5	6 (PRODUCT LEVEL)	
	1	1	7W-4642	1	SHIELD-DUST						
	2	1	287-8597	2	DOWEL						
	3	1	106-8954	2	BOLT (M12X1.75X35-MM)						
	4	1	254-6819	1	PLATE-ADAPTER						
	5	1	230-7924	6	BOLT						



GRAPHIC #1

<END>

g00956054

# BASIC ENGINE

## 232-6179 HOUSING GP - FRONT

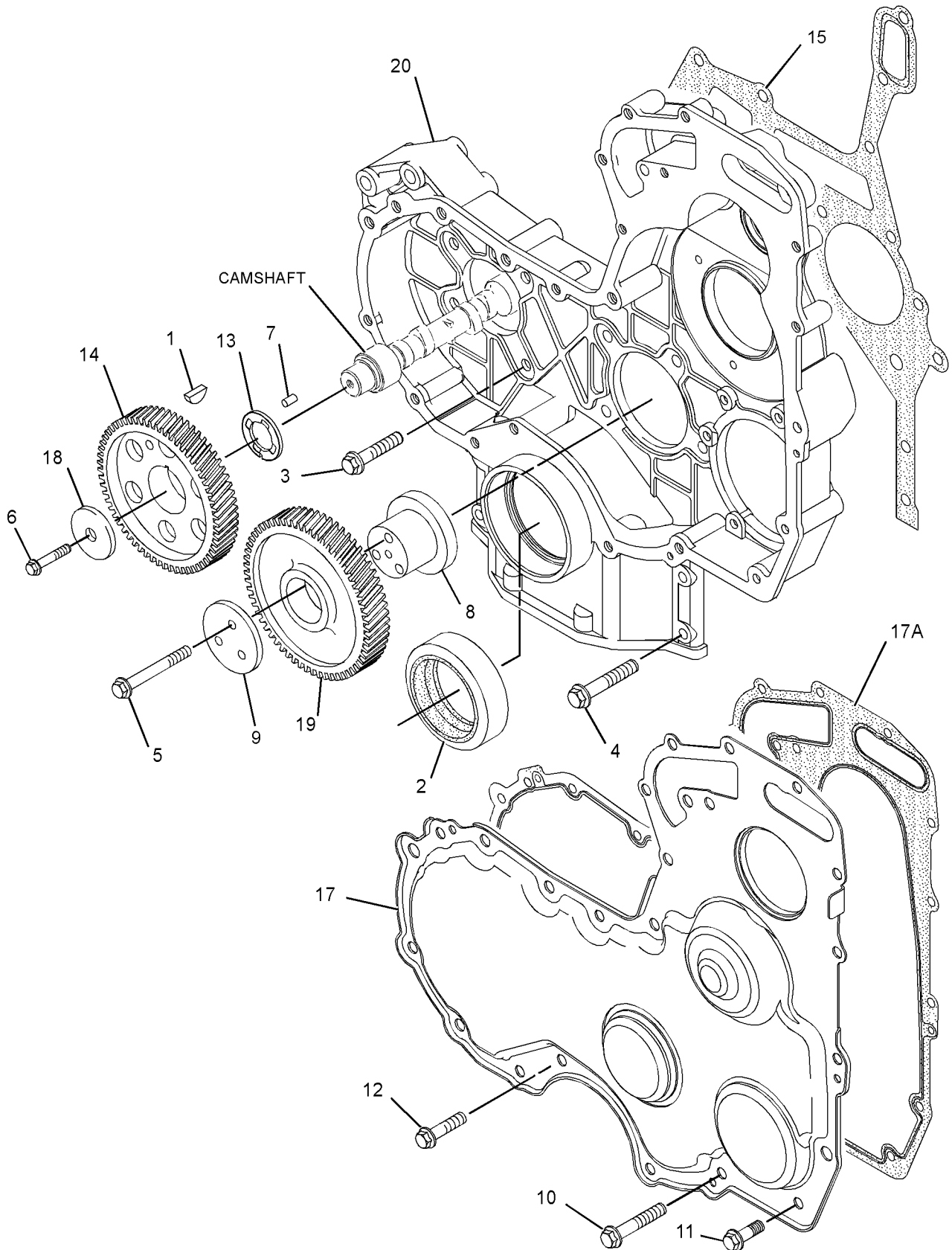
PART OF 176-3180 ENGINE AR-PRIMARY  
AN ATTACHMENT

NOTE	REF NO	GRAPHIC REF	PART NUMBER	QTY	PART NAME						SEE PAGE
					1	2	3	4	5	6 (PRODUCT LEVEL)	
	1	1	<b>1B-8736</b>	1	KEY-WOODRUFF						
	2	1	<b>288-0422</b>	1	SEAL-OIL (FRONT)						
M	3	1	<b>6I-0217</b>	8	BOLT (M8X1.25X20-MM)						
M	4	1	<b>6I-0645</b>	4	BOLT (M8X1.25X25-MM)						
M	5	1	<b>6I-0650</b>	3	BOLT (M10X1.5X25-MM)						
	6	1	<b>7C-4616</b>	1	BOLT (M12X1.75X45-MM)						
	7	1	<b>067-6179</b>	1	DOWEL						
	8	1	<b>282-0861</b>	1	HUB-IDLER GEAR						
	9	1	<b>295-0711</b>	1	PLATE-RETAINING						
M	10	1	<b>100-3751</b>	5	BOLT (M8X1.25X65-MM)						
M	11	1	<b>100-4830</b>	1	BOLT (M10X1.5X20-MM)						
M	12	1	<b>124-3815</b>	9	BOLT (M8X16X1.25-MM)						
	13	1	<b>232-3666</b>	1	WASHER-THRUST						
	14	1	<b>216-8634</b>	1	GEAR-CAMSHAFT (68-TEETH)						
	15	1	<b>277-3012</b>	1	GASKET-COVER						
	17	1	<b>226-8767</b>	1	COVER AS-FRONT						
	17A	1	<b>226-8766</b>	1	GASKET-COVER						
	18	1	<b>133-1011</b>	1	WASHER						
	19	1	<b>251-4336</b>	1	GEAR AS-IDLER (73-TEETH)						
	20	1	<b>294-0298</b>	1	HOUSING-FRONT						

M - METRIC PART

# BASIC ENGINE

232 - 179 HOUSING GP - FRONT (contd.)



GRAPHIC #1

<END>

g01311941

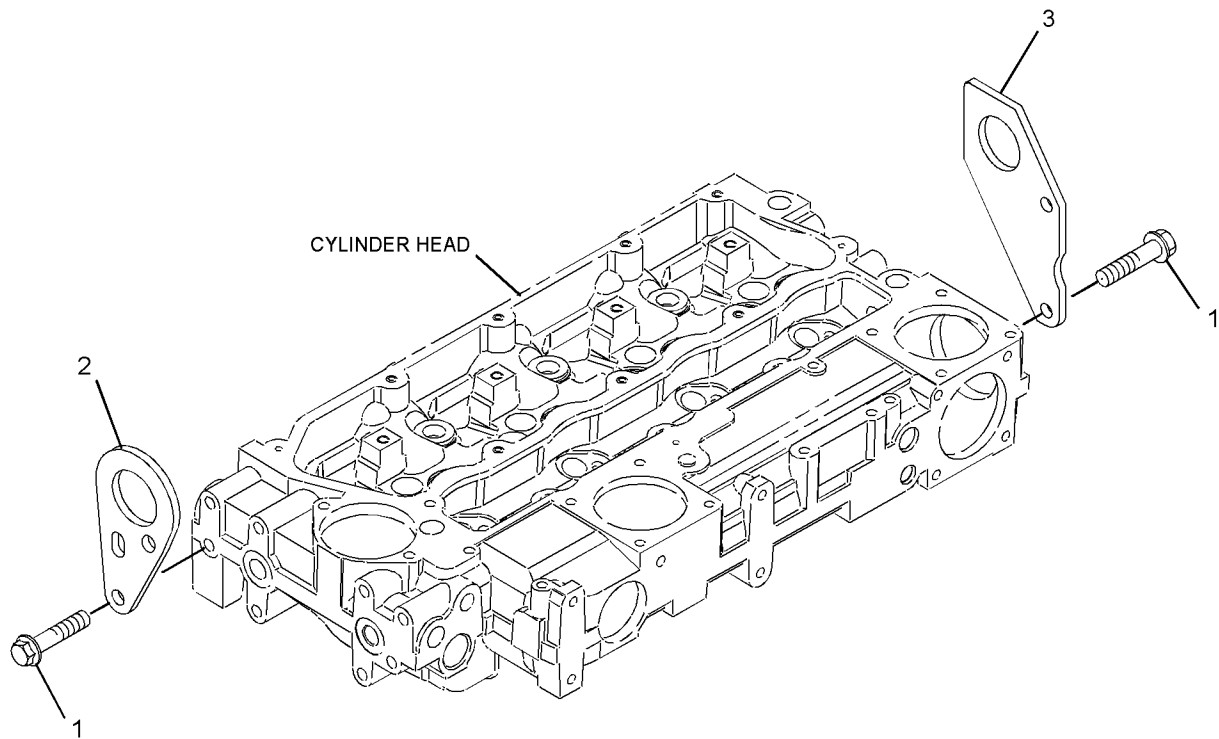
# BASIC ENGINE

## 232-3713 LIFTING GP-ENGINE

PART OF 176-3180 ENGINE AR-PRIMARY  
AN ATTACHMENT

NOTE	REF NO	GRAPHIC REF	PART NUMBER	QTY	PART NAME						SEE PAGE
					1	2	3	4	5	6 (PRODUCT LEVEL)	
M	1	1	100-4830	4	BOLT (M10X1.5X20-MM)						
	2	1	225-8848	1	PLATE-LIFTING						
	3	1	275-2452	1	PLATE-LIFTING						

M-METRIC PART



GRAPHIC #1

<END>

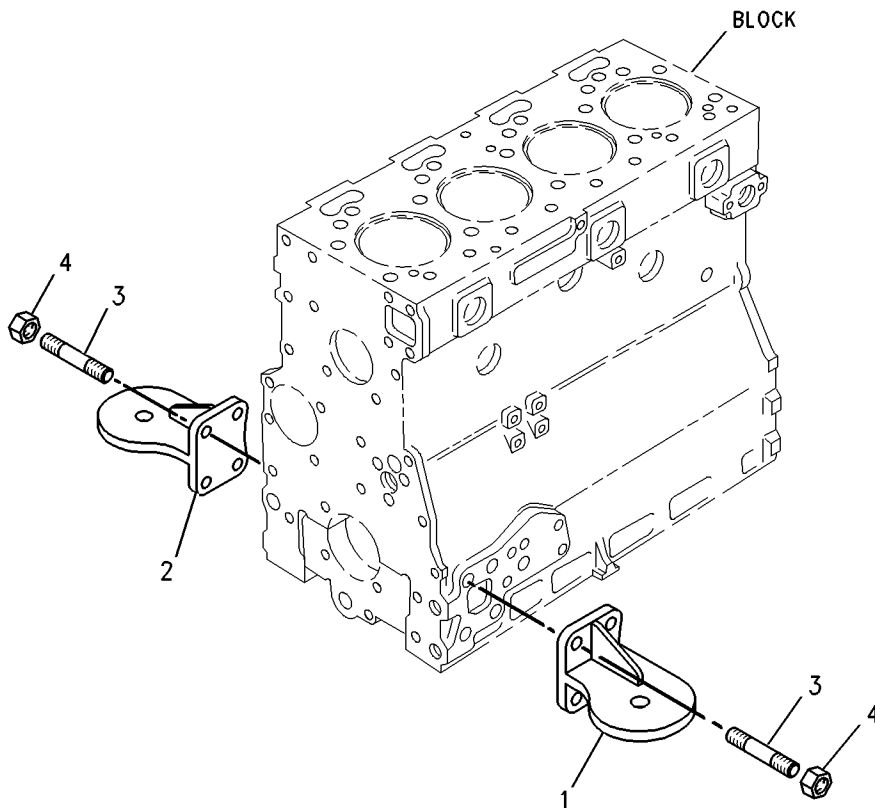
g01210949

# BASIC ENGINE

## 232-3715 MOUNTING GP-ENGINE

PART OF 176-3180 ENGINE AR-PRIMARY  
AN ATTACHMENT

NOTE	REF NO	GRAPHIC REF	PART NUMBER	QTY	PART NAME						SEE PAGE
					1	2	3	4	5	6 (PRODUCT LEVEL)	
	1	1	195-2132	1	SUPPORT - FRONT						
	2	1	195-2134	1	SUPPORT - FRONT						
	3	1	195-2136	8	STUD						
	4	1	195-2221	8	NUT						



GRAPHIC #1

<END>

g00985148

# BASIC ENGINE

## 229-2528 MOUNTING GP-ENGINE & TMSN

PART OF 271-0945 INSTALLATION AR-ENGINE  
AN ATTACHMENT

NOTE	REF NO	GRAPHIC REF	PART NUMBER	QTY	PART NAME						SEE PAGE
					1	2	3	4	5	6 (PRODUCT LEVEL)	
	1	1	<b>3E-4892</b>	2	WASHER (16.75X100X6-MM THK)						
	2	1	<b>3E-4924</b>	2	MOUNTING AS						
	3	1	<b>7Y-2174</b>	1	WASHER (24.5X130X12-MM THK)						
	4	1	<b>178-8211</b>	2	PLUG						
	5	1	<b>183-3789</b>	1	SUPPORT AS						
	6	1	<b>183-9058</b>	2	DOWEL						
	7	1	<b>194-3278</b>	1	MOUNT AS						
	8	1	<b>227-4476</b>	1	BRACKET AS						
	9	1	<b>132-5789</b>	1	CLIP						
M	10	1	<b>8C-3290</b>	1	BOLT (M24X3X150-MM)						
M	11	1	<b>8T-4001</b>	1	NUT (M24X3-THD)						
	12	1	<b>8T-4121</b>	10	WASHER-HARD (11X21X2.5-MM THK)						
M	13	1	<b>8T-4132</b>	2	NUT (M16X2-THD)						
M	14	1	<b>8T-4136</b>	1	BOLT (M10X1.5X25-MM)						
	15	1	<b>8T-4167</b>	2	WASHER-HARD (26X44X4-MM THK)						
M	16	1	<b>8T-4174</b>	2	BOLT (M16X2X120-MM)						
M	17	1	<b>8T-4200</b>	8	BOLT (M8X1.25X16-MM)						
	18	1	<b>8T-4224</b>	8	WASHER-HARD (8.8X16X2-MM THK)						
M	19	1	<b>8T-4779</b>	4	BOLT (M16X2X35-MM)						
M	20	1	<b>8T-6466</b>	9	BOLT (M10X1.5X60-MM)						
	21	1	<b>9X-8257</b>	8	WASHER (17.5X30X3.5-MM THK)						

M - METRIC PART



**Suggest:**

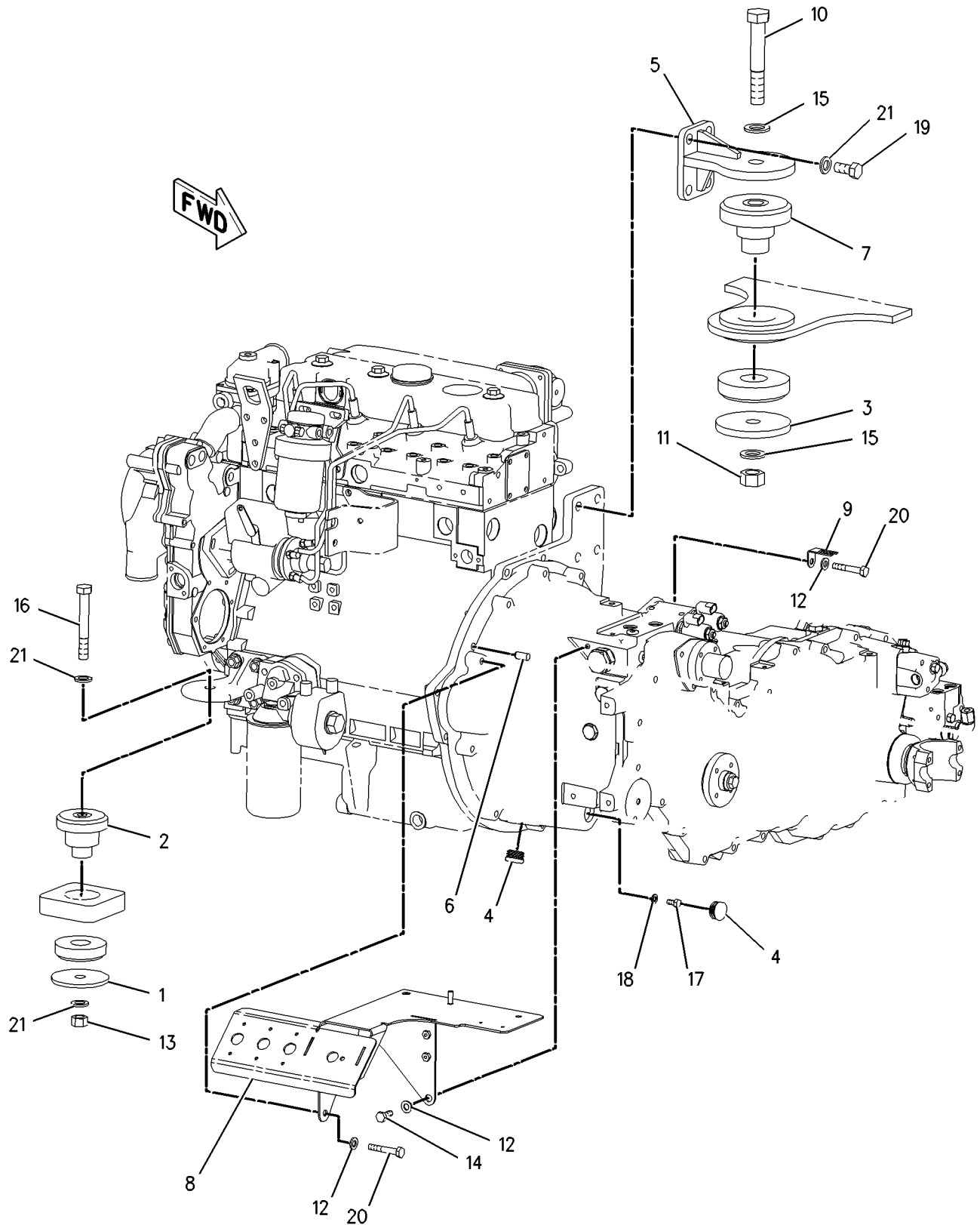
**If the above button click is invalid.**

**Please download this document first, and then click the above link to download the complete manual.**

**Thank you so much for reading**

# BASIC ENGINE

229 - 2528 MOUNTING GP - ENGINE & TMSN (contd.)



GRAPHIC #1

<END>

g00937536

**<https://www.ebooklibonline.com>**

Hello dear friend!

Thank you very much for reading.

Enter the link into your browser.

The full manual is available for immediate download.

**<https://www.ebooklibonline.com>**