



Parts Manual

Model TH255C

S/N JK200150 & After
S/N JK300150 & After

31200721

*Revised
September 12, 2017*

TABLE OF CONTENTS

FIGURE NO.	TITLE	PAGE NO.
SECTION 1 –		
FRAME & ATTACHING PARTS		1-1
1-1	Frame & Attaching Parts	1-2
1-2	Covers	1-8
1-3	License Plate Holder Installation	1-16
1-4	Hitches	1-18
1-5	Hitch Assembly	1-22
SECTION 2 –		
BOOM		2-1
2-1	Boom Assembly - Components	2-2
2-2	Boom Assembly - Pads & Shims	2-6
2-3	Quick Coupler	2-8
2-4	Manual Quick Coupler Installation	2-10
2-5	Hydraulic Quick Coupler Installation	2-12
SECTION 3 –		
ATTACHMENTS		3-1
3-1	Standard Carriage	3-2
3-2	Universal Standard Carriage	3-4
3-3	Side Tilt Carriage	3-6
3-4	Universal Side Tilt Carriage	3-8
3-5	Universal Side Shift Carriage	3-10
3-6	Forks	3-12
3-7	Grapple Bucket	3-14
3-8	Light Material Buckets	3-20
3-9	Fork Mounted Hook	3-22
3-10	Universal Hitch Attachment	3-24
3-11	Universal Quick Attach Lifting Hook	3-26
3-12	Multi-Purpose Bucket	3-28
3-13	Fork Muck Attachment (w/GRAB)	3-30
3-14	Reflective Plates Installation (Forks)	3-32
3-15	Reflective Plates Installation (Bucket) (Italy)	3-34
SECTION 4 –		
ENGINE & ATTACHING PARTS		4-1
4-1	Engine Installation	4-2
4-2	Fuel Tank & Lines	4-6
4-3	Fuel Tank and Components Installation	4-8
4-4	Radiator Installation	4-12
4-5	Air Cleaner Installation	4-16
4-6	Exhaust Installation	4-18
4-7	Engine Heater Installation	4-22
4-8	Lubricity Doser Installation	4-24

TABLE OF CONTENTS

FIGURE NO.	TITLE	PAGE NO.
4-9	Precleaner Filter	4-26
SECTION 5 –		
DRIVE TRAIN		5-1
5-1	Drivetrain Installation	5-2
5-2	Front Axle Assembly	5-4
5-3	Central Housing & Steering	5-6
5-4	Differential	5-8
5-5	Hub Reduction	5-12
5-6	Brakes	5-14
5-7	Rear Axle Assembly	5-16
5-8	Central Housing & Steering	5-18
5-9	Differential	5-20
5-10	Hub Reduction	5-22
5-11	Fender Installation	5-24
5-12	Tires & Rims	5-26
SECTION 6 –		
CAB		6-1
6-1	Cab Installation	6-2
6-2	Open Cab	6-8
6-3	Enclosed Cab Installation	6-10
6-4	Rear Window Installation	6-14
6-5	Cab Interior	6-16
6-6	Overhead Console Installation	6-20
6-7	Suspension Seat	6-22
6-8	Wiper Installation	6-24
6-9	Heater & A/C - Cab	6-26
6-10	AC Condenser Installation	6-34
6-11	AC System Installation	6-36
6-12	Heater Assembly	6-38
6-13	Heater Assembly with AC	6-40
SECTION 7 –		
CONTROLS		7-1
7-1	Brake	7-2
7-2	Accelerator	7-6
7-3	Steering Column	7-8
7-4	Boom Joystick	7-10
SECTION 8 –		
HYDRAULIC CIRCUITS		8-1
8-1	Supply Circuit	8-2
8-2	Dump Circuit	8-6

<https://www.ebooklibonline.com>

Hello dear friend!

Thank you very much for reading.

Enter the link into your browser.

The full manual is available for immediate download.

<https://www.ebooklibonline.com>

TABLE OF CONTENTS

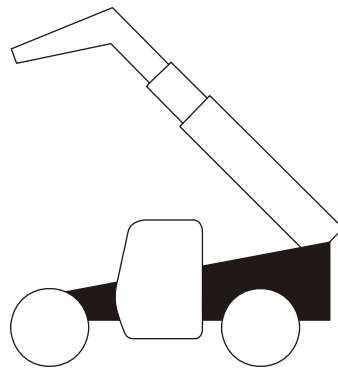
FIGURE NO.	TITLE	PAGE NO.
8-3	Steer Select	8-10
8-4	Service/Park Brake	8-12
8-5	Boom Joystick	8-14
8-6	Lift Cylinder	8-18
8-7	Extend/Retract Cylinder	8-22
8-8	Tilt & Compensating	8-24
8-9	Auxiliary Hydraulics	8-26
8-10	Rear Auxiliary Hydraulics	8-28
8-11	Auxiliary Hydraulics Pressure Relief	8-30
8-12	Hydraulic Tank Breather Installation	8-32
SECTION 9 –		
HYDRAULIC COMPONENTS		9-1
9-1	Lift Cylinder	9-2
9-2	Extend/Retract Cylinder	9-8
9-3	Tilt Cylinder	9-12
9-4	Compensating Cylinder	9-16
9-5	Fork Locking Cylinder	9-20
9-6	Side Tilt Carriage Cylinder & Grapple Bucket Cylinder	9-22
9-7	Universal Side Shift Cylinder	9-24
9-8	Main Control Valve	9-26
9-9	Front Drive Motor	9-28
9-10	Hydrostatic Drive Pump	9-30
9-11	Gear Pump	9-32
9-12	Divertor Valve	9-34
9-13	Steering Select Valve	9-36
9-14	Pilot Select Valve	9-38
9-15	Brake Valves	9-40
SECTION 10 –		
ELECTRICAL		10-1
10-1	Engine Compartment Electrical Installation	10-2
10-2	Boom and Frame Electrical Installation	10-4
10-3	Cab Electrical Installation	10-10
10-4	Cab Switches	10-12
10-5	Work Lights	10-14
10-6	Drive Lights	10-18
10-7	Engine Harness	10-22
10-8	Frame Harness	10-28
10-9	Frame Option Harness	10-34
10-10	Cab Harness	10-40
10-11	Cab Roof Harness	10-52
10-12	Roof Worklight Harness	10-54
10-13	Boom Worklight Harness	10-56
10-14	Beacon Worklight Harness	10-58

TABLE OF CONTENTS

FIGURE NO.	TITLE	PAGE NO.	
10-15	Boom Aux Harness	10-60	
10-16	LSI Boom Sensor Harness	10-62	
10-17	Mode Select Harness	10-64	
10-18	Heater Jumper Harness	10-66	
10-19	Valve Jumper Harness	10-68	
10-20	AC Condenser Harness	10-70	
SECTION 11 –			
	DECALS	11-1	
11-1	Cab & Frame Decals	11-2	
11-2	Boom Decals	11-8	
SECTION 12 –			
	MAINTENANCE PARTS LIST	12-1	
SECTION 13 – PART NUMBER INDEX			13-1

SECTION 1

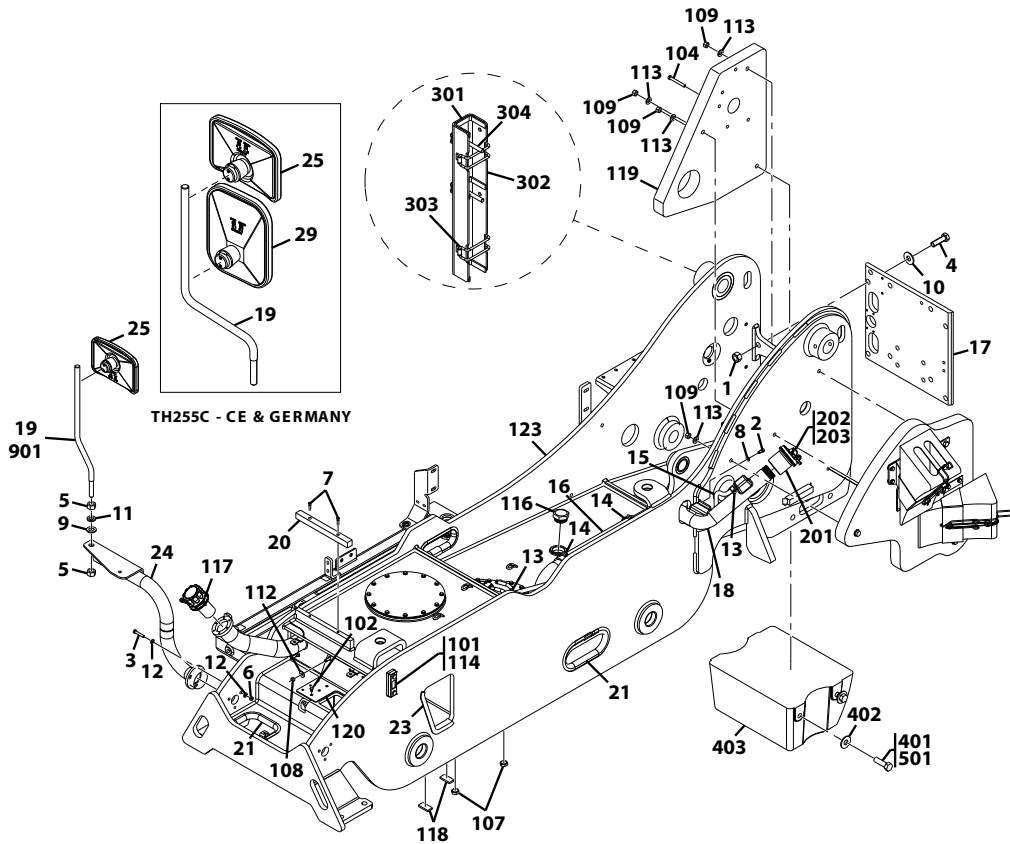
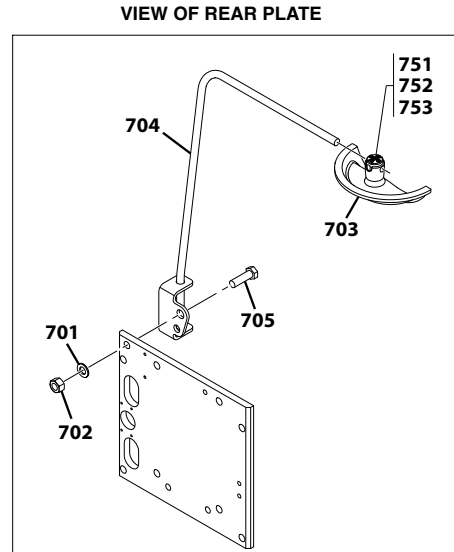
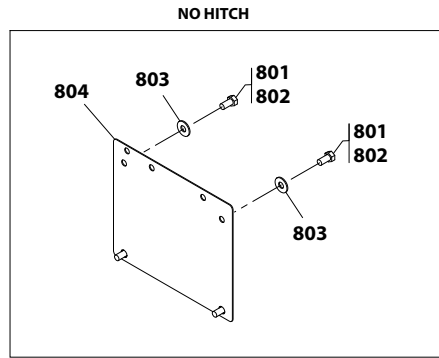
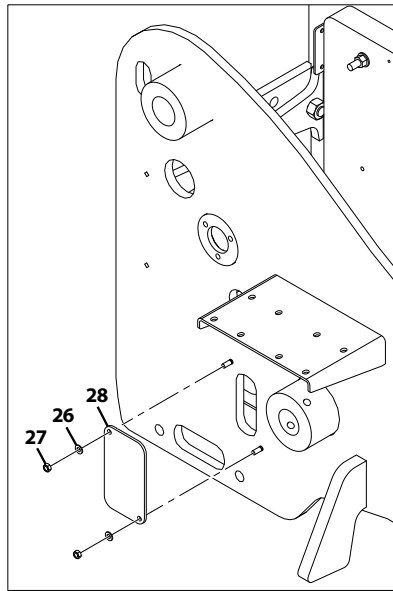
FRAME & ATTACHING PARTS





FRAME & ATTACHING PARTS

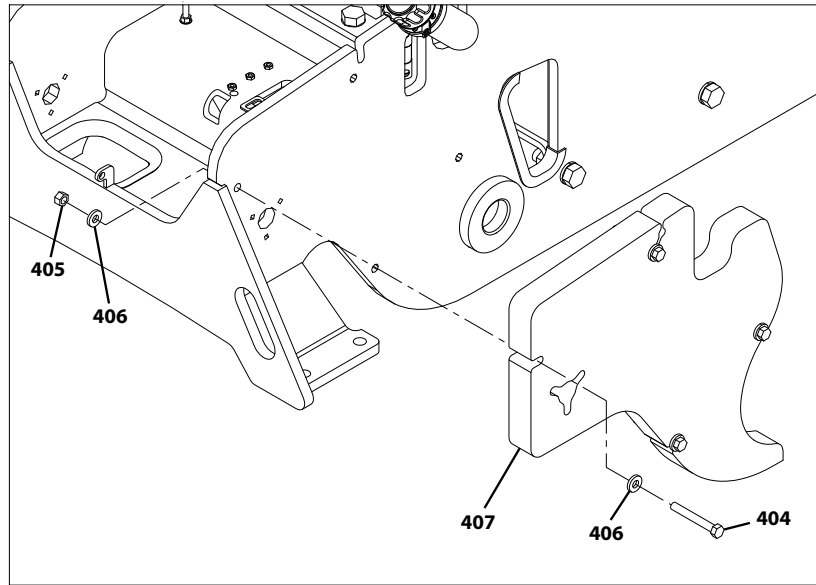
Figure 1-1 Frame & Attaching Parts



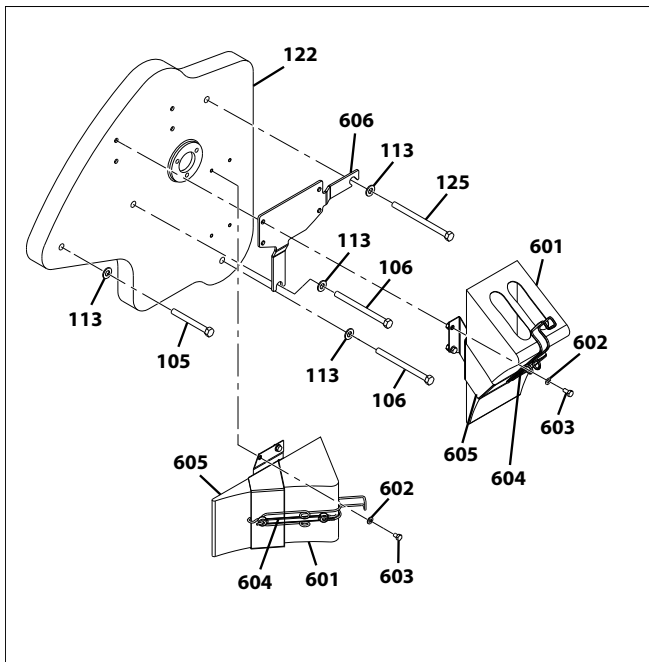
ART_31200721-1-1_1



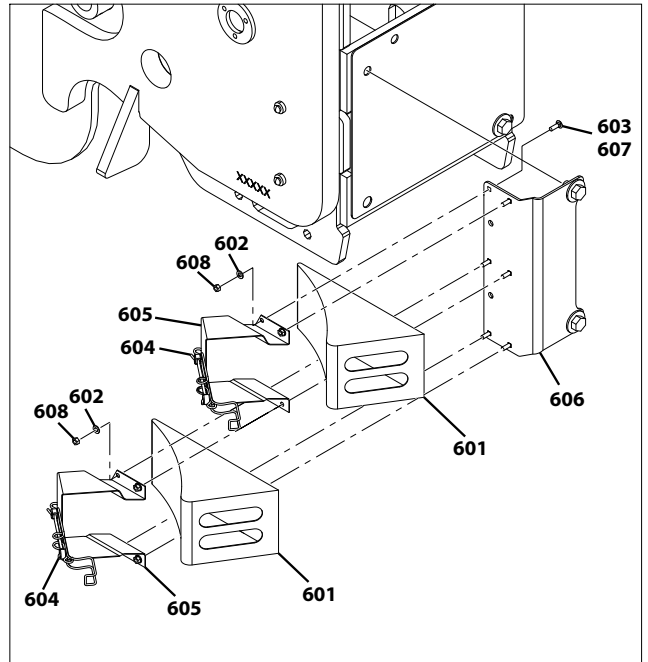
Figure 1-1 Frame & Attaching Parts (Continued)



SN JK200150 THROUGH JK200999; SN JK300150 THROUGH SN JK300999



SN JK201000 TO PRESENT; SN JK301000 TO PRESENT





FRAME & ATTACHING PARTS

Figure 1-1 Frame & Attaching Parts

Item	Part Number	Qty.	Description	Rev.
	448-9755	Ref	FRAME INSTALLATION, (ANSI) (not available to order, see items 1 thru 28 for service), (Prior to SN JK200627)	C
	485-2219	Ref	FRAME INSTALLATION, (ANSI) (not available to order, see items 1 thru 28 & 30 for service), (SN JK200627 to Present)	B
	485-2223	Ref	FRAME INSTALLATION, (for homologation machines), (if equipped) , (not available to order, see items 1, 2, 4, 5, 7 thru 11, 13 thru 23 & 25 thru 30 for service)	B
	485-2224	Ref	FRAME INSTALLATION, (CE) , (not available to order, see items 1 thru 23 & 25 thru 29 for service), (Prior to SN JK200627)	A
	485-2222	Ref	FRAME INSTALLATION, (CE) , (not available to order, see items 1 thru 18, 20 thru 23 & 25 thru 30 for service) (SN JK200627 to Present)	B
1	447-0440	2	HEAVY HEX NUT, 3/4-10	
2	297-7016	2	HEX HD CAPSCREW, 5/16-18X3/4, GR5	
3	297-7021	3	HEX HD CAPSCREW, 5/16-18X1-3/4, GR5	
4	447-0439	4	HEX HD CAPSCREW, 3/4-10X2-1/2, GR8, (Prior to SN JK200627)	
	447-0439	2	HEX HD CAPSCREW, 3/4-10X2-1/2, GR8, (for homologation machines) ,	
	447-0439	2	HEX HD CAPSCREW, 3/4-10X2-1/2, GR8, (SN JK200627 to Present)	
5	309-2974	2	HEX NUT, 3/4-10, GR8, (torque to 135-105 lb-ft/183-142 Nm)	
6	298-0552	3	LOCKNUT, 5/16-18	
7	192-0089	2	SOCKET HD CAPSCREW, 1/4-20X1	
8	298-7364	2	WASHER, 5/16	
9	298-7369	1	WASHER, 3/4	
10	447-0427	4	WASHER, 3/4	
11	298-7383	1	LOCKWASHER, 3/4	
12	303-4788	6	WASHER, 5/16	
13	309-2854	2	GEAR CLAMP	
14	298-7981	2	HOSE CLAMP	
15	508-1184	1	VENT HOSE	
16	309-2837	1	FILL HOSE	
17	309-2840	1	REAR HITCH MOUNT PLATE	
18	309-2845	1	FUEL NOZZLE TUBE	
19	444-3406	1	MIRROR BRACKET	
	447-8466	1	OFFSET MIRROR BRACKET, (for homologation machines)	
20	330-5803	1	BOOM STOP PAD	
21	8C-5063	103 in	SPLIT POLY CONDUIT	
23	335-7584	2	RUBBER GROMMET	
24	443-6296	1	HEADLIGHT BRACKET (ANSI) (Prior to SN JK200627)	
	485-2215	1	HEADLIGHT BRACKET (ANSI & CE) (SN JK200627 to Present)	
25	441-6962	1	RECTANGULAR MIRROR	
26	8T-4224	2	WASHER	
27	5C-7261	2	HEX NUT, M8 X 1.25	
28	478-0483	1	MAIN CONTROL VALVE ACCESS PANEL	
29	317-0089	1	CONVEX MIRROR, (for homologation machines)	
30	518-2967	2	HEX HD CAPSCREW, 3/4-10X2-3/4, GR8, (not shown)	
101		AR	PIPE SEALANT, CAT THREADLOCK	
102	0S-1613	2	HEX HD CAPSCREW, 1/4-20X3/8, GR5	
104	8T-7008	1	HEX HD CAPSCREW, 3/8-16X3, GR5	
105	7X-0332	1	HEX HD CAPSCREW, 1/2-13X4-1/2, GR5	
106	7X-0340	2	HEX HD CAPSCREW, 1/2-13X6-1/2, GR5	
107	328-9686	2	ADAPTER, PLUG	



Figure 1-1 Frame & Attaching Parts (Continued)

Item	Part Number	Qty.	Description	Rev.
108	303-4774	1	HEX NUT, 3/8-16	
109	6V-8188	4	HEX NUT, 1/2-13	
112	298-7374	1	WASHER, 3/8	
113	298-1629	8	WASHER, 1/2	
114	298-8668	1	OIL LEVEL INDICATOR, (torque to mounting bolts to 6 lb-ft/8 Nm)	
116	334-5135	1	MECHANICAL ADAPTER, PLUG	
117	446-9672	NLA	LOCKABLE HYDRAULIC FILLER CAP, (no longer available, order 484-4460 for replacement)	
	484-4460	1	LOCKABLE HYDRAULIC FILLER CAP	
118	333-7969	2	MAGNET	
119	415-3214	1	COUNTERWEIGHT PLATE	
120	464-5069	1	ELECTRIC COMPONENTS MOUNT	
122	415-3216	1	WEIGHT ASSY	
123	NSS	1	FRAME WELDMENT	
125	7X-0341	1	HEX HD CAPSCREW, 1/2-13X7	
	312-3302	1	DIESEL FUEL CAP INSTALLATION, (includes items 201 thru 203)	B
201	298-1540	1	FILLER NECK TANK ADAPTER	
202	142-8828	1	DIESEL FUEL LOCKING CAP	
203		AR	CAT THREADLOCK	
	324-6469	1	LIFT CYLINDER LOCK INSTALLATION, (includes items 301 thru 305), (SN JK200150 through JK200999; SN JK300150 through SN JK300999)	C
	508-8769	1	LIFT CYLINDER LOCK INSTALLATION, (includes items 301 thru 305), (SN JK201000 to Present; SN JK301000 to Present)	A
301	508-8837	AR	RUBBER PROFILE, 18X5mm	
302	321-4066	1	LIFT CYLINDER LOCK WELDMENT	
303	329-3624	2	O-RING	
304	324-6470	2	HANDLE SCREW, 12X103mm	
305		Ref	CYLINDER LOCK,WARNING DECAL, (not shown), (see Figure 11-1 for details)	
	323-6958	Ref	COUNTERWEIGHT INSTALLATION, (ANSI) , (not available to order, see items 401 thru 403 for service), (SN JK200150 through JK200999;SN JK300150 through JK300999)	C
	508-8764	Ref	COUNTERWEIGHT INSTALLATION, (ANSI) , (not available to order, see Items 401 thru 501 for service) (SN JK201000 to Present; SN JK301000 to Present)	B
	323-6959	Ref	COUNTERWEIGHT INSTALLATION, (CE) , (not available to order, see items 401 thru 403 for service), (SN JK200150 through JK200999; SN JK300150 through JK300999)	C
	508-8765	Ref	COUNTERWEIGHT INSTALLATION, (CE) , (not available to order, see items 401 thru 501 for service) (SN JK201000 to Present; SN JK301000 to Present)	B
	472-0024	Ref	COUNTERWEIGHT INSTALLATION, (AUS) , (not available to order, see items 401 thru 501 for service), (SN JK200150 through JK200999; SN JK300150 through JK300999)	B
	508-8779	Ref	COUNTERWEIGHT INSTALLATION, (AUS) , (not available to order, see items 401 thru 501 for service), (SN JK201000 to Present; SN JK301000 to Present)	B
	508-8770	Ref	COUNTERWEIGHT INSTALLATION (FRONT) (not available to order, see items 404 thru 407 for service) (SN JK201000 to Present; SN JK301000 to Present)	A
401	447-0439	4	HEX HD CAPSCREW, 3/4-10X2-1/2, GR8	
402	447-0427	4	WASHER, 3/4	
403	317-3265	1	COUNTERWEIGHT, 460 LB/209 KG, (ANSI)	



FRAME & ATTACHING PARTS

Figure 1-1 Frame & Attaching Parts (Continued)

Item	Part Number	Qty.	Description	Rev.
	323-6957	1	COUNTERWEIGHT, 129 KG/284 LB, (CE)	
	477-1014	1	COUNTERWEIGHT, 32.6 KG/720 LB, (AUS)	
404	297-7048	4	HEX HD CAPSCREW, 1/2-13X3 3/4	
405	6V-8188	4	HEX NUT, 1/2-13	
406	298-7392	8	WAHSER	
407	508-8771	1	COUNTERWEIGHT (FRONT)	
501		AR	CAT THREADLOCK	
		1		
	469-8699	Ref	WHEEL CHOCK INSTALLATION, (not available to order, see items 601 thru 606 for service), (SN JK200150 through JK200999; SN JK300150 through SN JK301000)	D
	508-8767	Ref	WHEEL CHOCK INSTALLATION, (not available to order, see items 601 thru 607 for service), (SN JK201000 to Present; SN JK301000 to Present)	A
601		2	WEDGE ASSY	
602	8T-4224	8	WASHER, 8mm, (SN JK200150 through JK200999; SN JK300150 through JK300999)	
602	298-7364	6	WASHER, 5/16, (SN JK201000 to Present; SN JK301000 to Present)	
603	8T-4199	8	HEX HD CAPSCREW, 8X12mm, (SN JK200150 through JK200999; SN JK300150 through JK300999)	
603	1B-2705	6	BOLT, CARRIAGE, (SN JK201000 to Present; SN JK301000 to Present)	
604		2	TIE DOWN CABLE	
605		2	WEDGE HOLDER	
606	469-7012	1	WHEEL CHOCK WELDMENT MOUNT, (SN JK200150 through JK200999; SN JK300150 through JK300999)	
606	508-8768	1	WHEEL CHOCK MOUNTING, (SN JK201000 to Present; SN JK301000 to Present)	
607		AR	CAT THREADLOCK, (not shown)	
608	298-0550	6	NUT, 5/16-18 (SN JK201000 to Present; SN JK301000 to Present)	
	331-6117	Ref	CONVEX MIRROR INSTALLATION, (not available to order, see items 701 thru 705 for service), (SN JK200150 through JK200999; SN JK300150 through JK300999)	C
	508-8782	Ref	CONVEX MIRROR INSTALLATION, (not available to order, see items 701 thru 705 for service), (SN JK201000 to Present; SN JK301000 to Present)	B
701	298-7369	1	WASHER, 3/4	
702	298-8052	1	HEX NUT, 3/4-10	
703	336-7619	1	MIRROR ASSY, (includes items 751 thru 753)	D
704	518-2966	1	REAR MOUNT MIRROR BAR	
705	447-0439	1	HEX HD CAPSCREW, 3/4-10X2-1/2, GR8	
751	3B-4503	2	LOCKWASHER, #12	
752	8T-0328	2	WASHER	
753	281-0791	2	HEX HD BOLT	
	508-8783	Ref	NO HITCH INSTALLATION, (not available to order, see items 801 thru 804 for service), (SN JK201000 to Present; SN JK301000 to Present)	C
801		AR	CAT THREADLOCK	
802	518-6903	4	HEX HD CAPSCREW, 3/4 - 10X1	
803	447-0427	4	WASHER	
804	508-8784	1	PLATE, REAR	



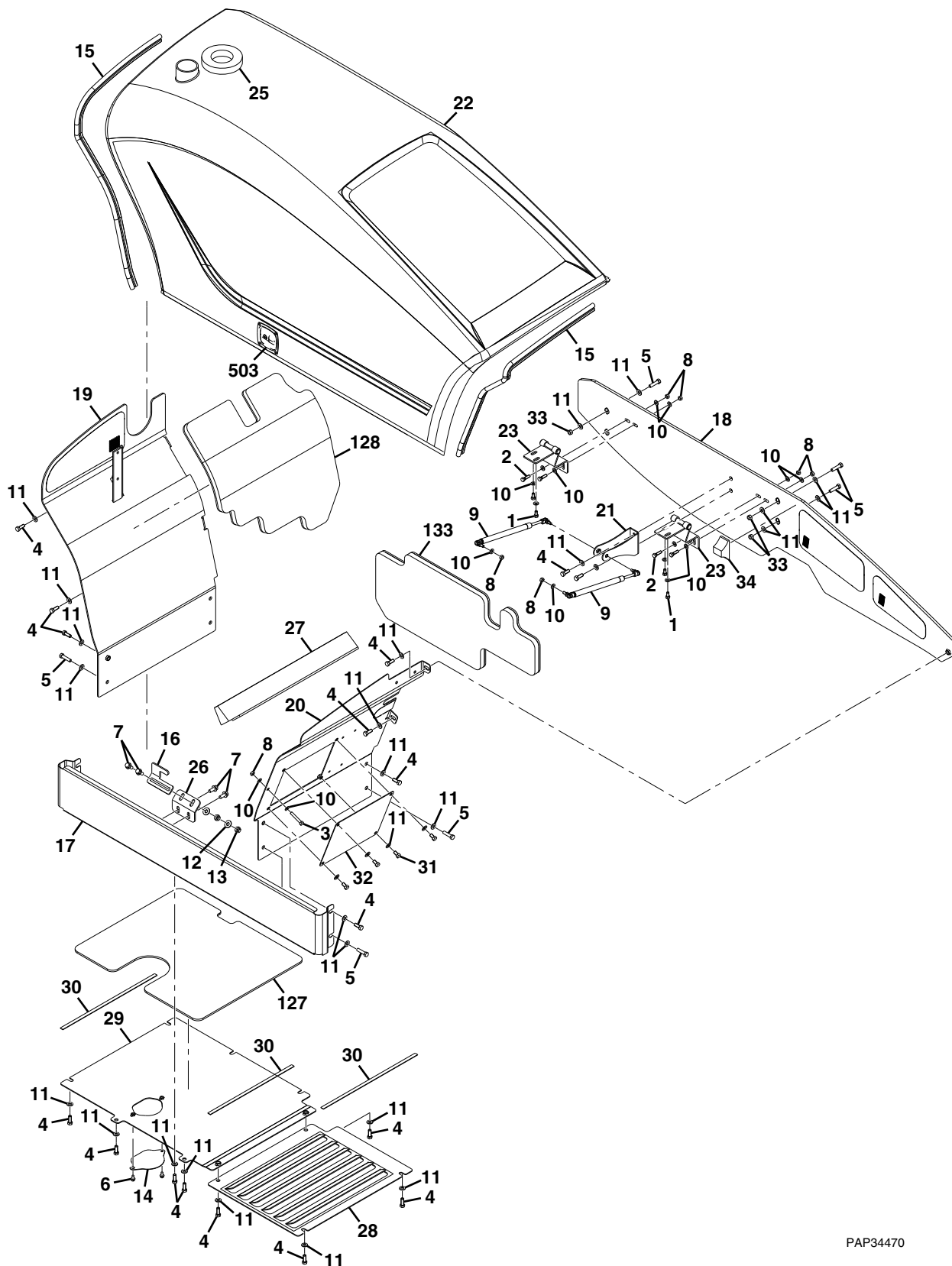
Figure 1-1 Frame & Attaching Parts (Continued)

Item	Part Number	Qty.	Description	Rev.
901	447-8466	1	OFFSET MIRROR BRACKET, (Italy), (SN JK201000 to Present; SN JK301000 to Present)	



FRAME & ATTACHING PARTS

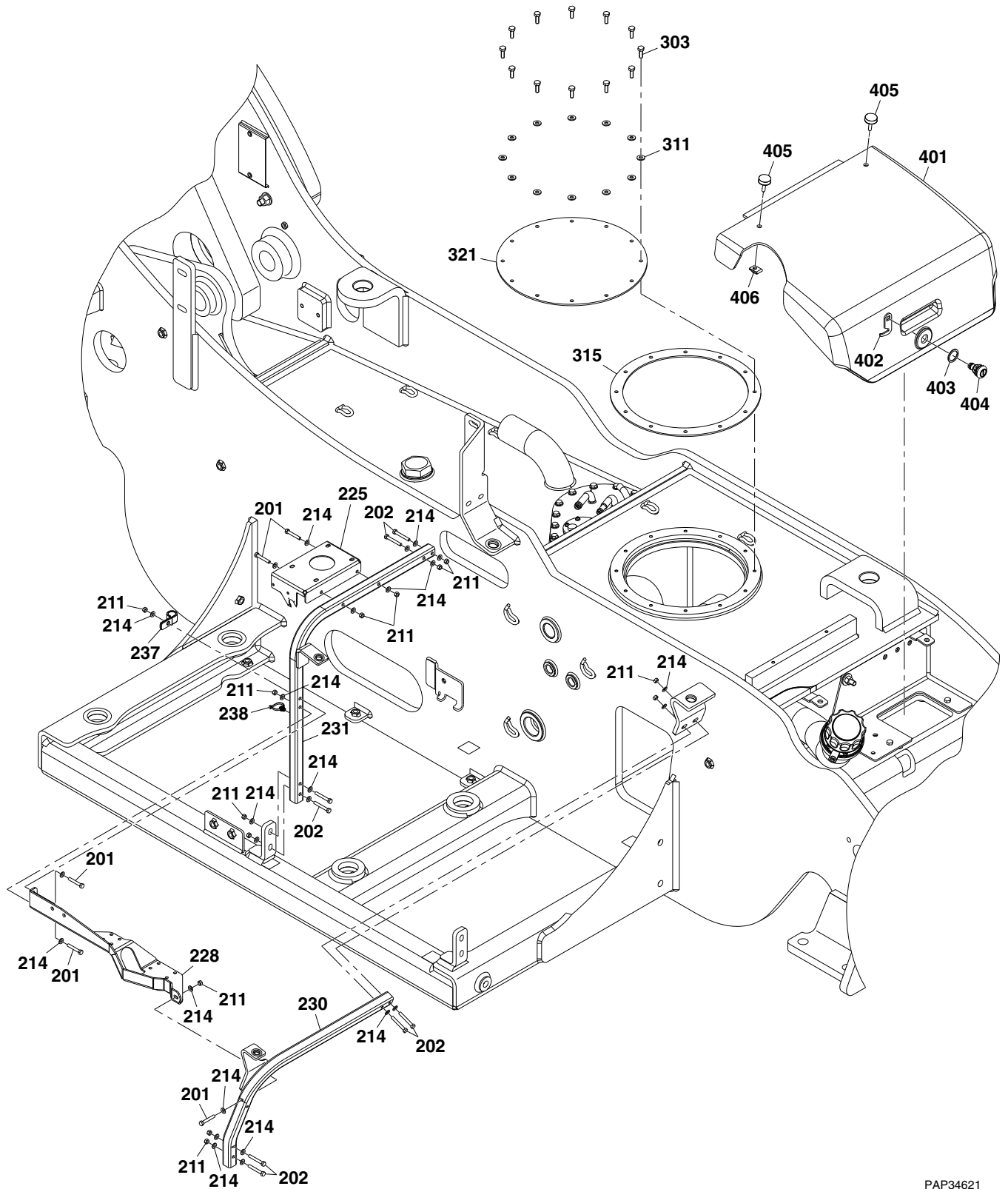
Figure 1-2 Covers



PAP34470



Figure 1-2 Covers (Continued)



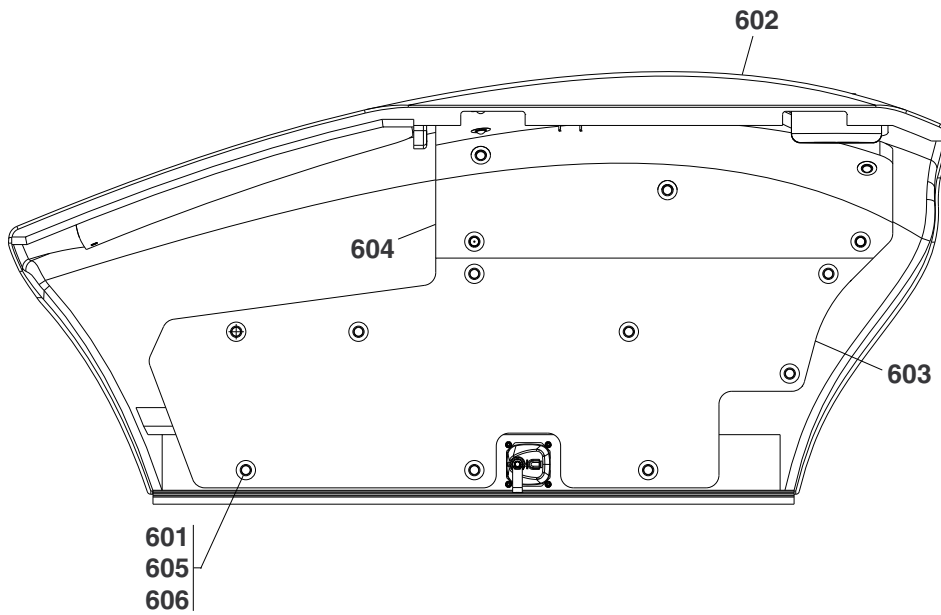
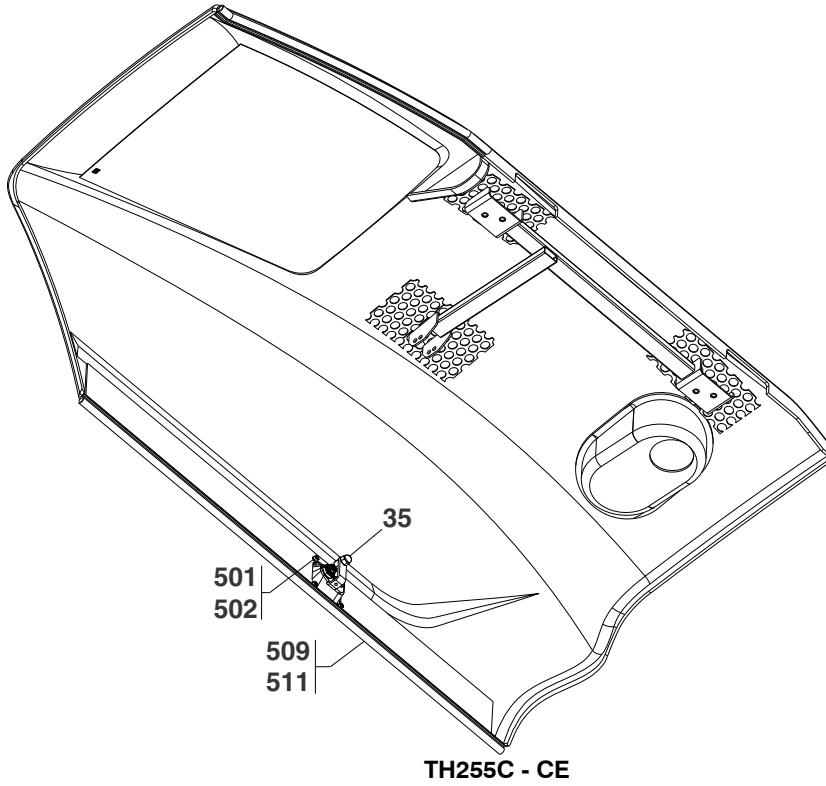
PAP34621



FRAME & ATTACHING PARTS

Figure 1-2 Covers (Continued)

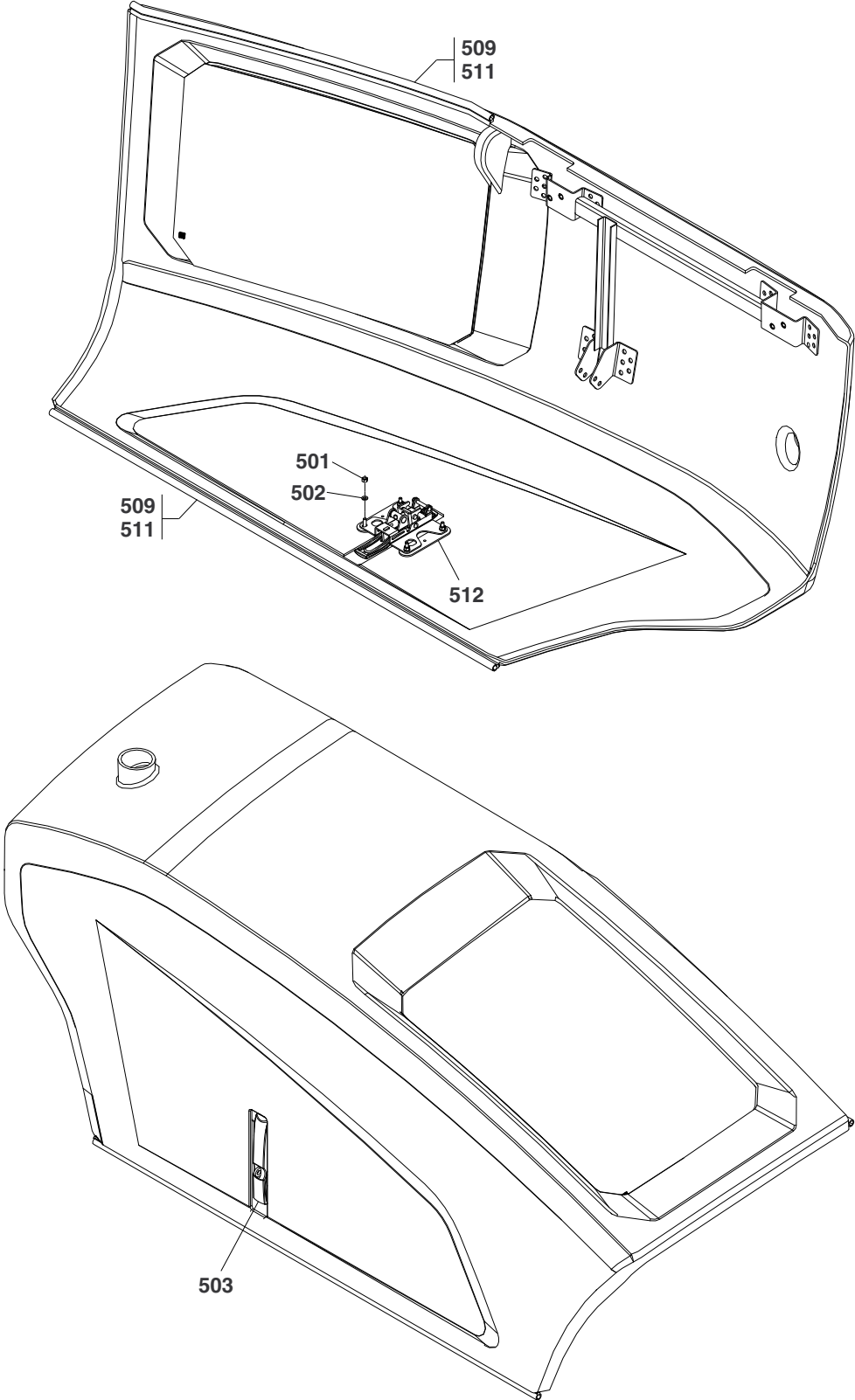
PRIOR TO SN JK200627



PAP34482



Figure 1-2 Covers (Continued)



PAP34691



FRAME & ATTACHING PARTS

Figure 1-2 Covers

Item	Part Number	Qty.	Description	Rev.
	445-8578	Ref	HOOD INSTALLATION, (TH255C-ANSI) , (not available to order, see items 1 thru 35 for service), (Prior to SN JK200627)	I
	486-1984	Ref	HOOD INSTALLATION, (TH255C-ANSI) , (not available to order, see items 1 thru 40 for service), (SN JK200627 to Present)	C
	445-8579	Ref	HOOD INSTALLATION, (TH255C - CE) , (not available to order, see items 1 thru 35, 127, 128 & 133 for service), (Prior to SN JK200627)	G
	486-1983	Ref	HOOD INSTALLATION, (TH255C-CE) , (not available to order, see items 1 thru 40,127,128 & 133 for service), (SN JK200627 to Present)	C
1	297-7015	4	HEX HD CAPSCREW, 5/16-18X5/8, GR5	
2	447-1129	4	HEX HD CAPSCREW, 5/16-18X1-1/8, GR5	
3	297-7022	1	HEX HD CAPSCREW, 5/16-18X2, GR5	
4	297-7031	21	HEX HD CAPSCREW, 3/8-16X1, GR5	
5	297-7033	8	HEX HD CAPSCREW, 3/8-16X1-1/2, GR5	
6	448-4139	2	SCREW, 1/4-20X1/2	
7	329-2475	4	SCREW, 3/8-16X7/8, (Prior to SN JK200627)	
	329-2475	2	SCREW, 3/8-16X7/8, (SN JK200627 to Present)	
8	303-4773	7	HEX NUT, 5/16-18	
9	463-1446	2	GAS SPRING, (TH255C)	
	445-9982	2	GAS SPRING, (TH255C - CE)	
10	298-7364	16	WASHER, 5/16	
11	298-7365	37	WASHER, 3/8	
12	298-7374	2	WASHER, 3/8, (Prior to SN JK200627)	
13	298-8049	2	HEX NUT, 3/8-16, (Prior to SN JK200627)	
14	446-8068	1	FUEL FILTER ACCESS PANEL	
15	308-9131	78 in	SELF-GRIPPING BULB SEAL	
16	389-3455	1	LATCH CATCH BRACKET, (Prior to SN JK200627)	
16	486-1795	1	HOOD LATCH BRACKET, (SN JK200627 to Present)	
17	447-0740	1	SIDE SKIRT PANEL, (Prior to SN JK200627)	
17	486-1785	1	SIDE SKIRT PANEL, (SN JK200627 to Present)	
18	446-8069	1	HOOD HINGE MOUNT WELDMENT PLATE	
19	446-8070	1	REAR FENDER WELDMENT PANEL, (Prior to SN JK200627)	
19	486-1805	1	REAR FENDER WELDMENT PANEL, (SN JK200627 to Present)	
20	446-8071	1	FRONT FENDER WELDMENT PANEL	
21	463-1427	1	GAS SPRING WELDMENT MOUNT	
22	463-1448	1	HOOD ASSY, (TH255C) , (includes items 501 thru 511), (Prior to SN JK200627)	B
	486-1787	1	HOOD ASSY, (TH255C) , (includes items 501 thru 512), (SN JK200627 to Present)	E
	463-1449	1	HOOD ASSY, (TH255C - CE) , (includes items 601 thru 606), (Prior to SN JK200627)	B
	486-1789	1	HOOD ASSY, (TH255C - CE) , (includes items 601 thru 606), (SN JK200627 to Present)	E
23	446-8073	2	HOOD HINGE	
25	446-8074	1	AIR INTAKE SEAL, (Prior to SN JK200627)	
26	445-9974	1	LATCH CATCH MOUNT, (Prior to SN JK200627)	
27	447-1935	1	FOAM GASKET SEAL	
28	447-7574	1	BELLY PAN PLATE	
29	447-7575	1	BELLY PAN WELDMENT PLATE	
30	303-4911	52 in	NEOPRENE TAPE, 1/16X1/2	
31	298-7999	4	HEX HD CAPSCREW, 3/8-16X5/8	



Figure 1-2 Covers (Continued)

Item	Part Number	Qty.	Description	Rev.
32	447-1050	1	COVER PLATE	
33	303-4774	4	HEX NUT, 3/8-16, GR8	
34	448-3802	1	FOAM GASKET SEAL	
35	461-2989	1	NYLON NUT, (Prior to SN JK200627)	
36		Ref	AIR INTAKE CHANNEL, (not shown), (see Figure 4-5 for details)	
37		Ref	FOAM GASKET SEAL, (not shown), (see Figure 4-5 for details)	
38		Ref	T-BOLT CLAMP, (not shown), (see Figure 4-5 for details)	
39		Ref	CAT THREADLOCK, (not shown), (see Figure 4-5 for details)	
40		Ref	RUBBER PAD, (not shown), (see Figure 4-5 for details)	
127	445-9976	1	SOUND INSULATE, BELLY PAN, (TH255C - CE)	
128	445-9977	1	SOUND INSULATE, REAR FENDER, (TH255C - CE)	
133	445-9986	1	SOUND INSULATE, FIREWALL, (TH255C - CE)	
201	507-1892	5	HEX HD CAPSCREW, 5/16-18X2, GR8	
202	8T-8912	8	HEX HD CAPSCREW, 5/16-18X2-1/4, GR8	
211	303-4773	13	HEX NUT, 5/16-18	
214	298-7364	26	WASHER, 5/16	
225	447-5376	1	COOLANT TANK PLATE	
228		Ref	FILTER BRACKET, (see Figure 4-2 for details)	
230	447-6894	1	COOLER FRONT SUPPORT	
231	447-6895	1	COOLER REAR SUPPORT	
237	298-7972	1	CLAMP	
238		1	CABLE TIE STRAP	
303	297-7011	12	HEX HD CAPSCREW, 1/4-20X3/4, GR5	
311	298-7363	12	WASHER, 1/4	
315	309-2839	1	HYDRAULIC ACCESS COVER GASKET	
321	309-2838	1	HYDRAULIC TANK ACCESS COVER, (SN JK200496 to Present)	
	484-4459	1	HYDRAULIC TANK ACCESS COVER, (SN JK300159 to Present)	
	445-8489	Ref	BATTERY COVER INSTALLATION, (not available to order, see items 401 thru 406 for service), (SN JK200150 through JK200999; SN JK300150 through JK300999)	B
	508-8762	Ref	BATTERY COVER INSTALLATION, (not available to order, see items 401, 405 & 406 for service), (SN JK201000 to Present; SN JK301000 to Present)	B
401	445-8488	1	BATTERY COVER, (SN JK200150 through JK200999; SN JK300150 through JK300999)	
401	508-8763	1	BATTERY COVER, (SN JK201000 to Present; SN JK301000 to Present)	
402	323-6830	1	CAM LATCH	
403	334-5137	1	SEALING WASHER	
404	334-5138	1	CAM LOCK LATCH	
405	473-0014	2	TINNERMAN NUT, M6, (SN JK200150 through JK200999; SN JK300150 through JK300999)	
405	473-0014	3	TINNERMAN NUT, M6, (SN JK201000 to Present; SN JK301000 to Present)	
406	445-8490	2	THUMB SCREW, M6-1X25.4, (SN JK200150 through JK200999; SN JK300150 through JK300999)	
406	445-8490	3	THUMB SCREW, M6-1X25.4, (SN JK201000 to Present; SN JK301000 to Present)	
501	303-4779	4	HEX LOCKNUT, M6X1	
502	8T-4205	4	WASHER, 6mm	



Suggest:

If the above button click is invalid.

Please download this document

first, and then click the above link

to download the complete manual.

Thank you so much for reading



FRAME & ATTACHING PARTS

Figure 1-2 Covers (Continued)

Item	Part Number	Qty.	Description	Rev.
503	303-4836	1	COMPRESSION LATCH, (Prior to SN JK200627)	
503	396-6910	1	COMPRESSION LATCH, (SN JK200627 to Present)	
509	310-7066	83 in	SELF-GRIPPING BULB SEAL	
511		AR	CAT THREADLOCK	
512	493-2380	2	LATCH SUPPORT, (SN JK200627 to Present)	
601	336-8829	19	FASTENER, (TH255C - CE)	
602	463-1448	1	HOOD ASSY, (includes items 501 thru 511), (TH255C - CE), (Prior to SN JK200627)	
602	486-1787	1	HOOD ASSY, (includes items 501 thru 512), (TH255C - CE), (SN JK200627 to Present)	
603	445-9979	1	SOUND INSULATE, (TH255C - CE), (Prior to SN JK200627)	
603	493-2379	1	SOUND INSULATE, (TH255C-CE), (SN JK200627 to Present)	
604	445-9980	1	SOUND INSULATE, (TH255C - CE), (Prior to SN JK200627)	
604	493-2378	1	SOUND INSULATE, (TH255C-CE), (SN JK200627 to Present)	
605	445-9984	19	CAP, SELF LOCKING, (TH255C - CE)	
606	445-9985	19	WASHER, (TH255C - CE)	

B
E

<https://www.ebooklibonline.com>

Hello dear friend!

Thank you very much for reading.

Enter the link into your browser.

The full manual is available for immediate download.

<https://www.ebooklibonline.com>