



Service Repair Manual

Models

328D LCR Excavator

[Previous Screen](#)

Product: EXCAVATOR

Model: 328D LCR EXCAVATOR GTN

Configuration: 328D LCR Excavator GTN00001-UP (MACHINE) POWERED BY C7 Engine

Disassembly and Assembly 328D Excavator Machine Systems

Media Number -KENR6014-04

Publication Date -01/02/2017

Date Updated -17/02/2017

i04027173

Final Drive - Disassemble - Type-One

SMCS - 4050-015

S/N - GTN1-187

S/N - MKR1-197

Disassembly Procedure

Table 1

Required Tools			
Tool	Part Number	Part Description	Qty
A	1P-2420	Transmission Repair Stand	1
B	138-7573	Link Bracket	2
C	1P-1863	Retaining Ring Pliers	1
D	208-6033	Spanner Socket	1
E	138-7574	Link Bracket	2
F	5F-7366	Forcing Screw	1
	1P-5546	Crossblock	1
	1U-9889	Crossblock	1
	1P-0520	Driver Group	1
	6V-7888	Puller Leg	2
	1H-3112	Puller Assembly	1
	1P-5551	Adjustable Screw Assembly	1

G	1U-7600	Slide Hammer Puller Gp	1
	8T-0266	Bolt	1

Start By:

A. Remove the final drive. Refer to Disassembly and Assembly, "Final Drive - Remove".

Note: Cleanliness is an important factor. Before the disassembly procedure, the thoroughly clean the exterior of the component. This will prevent dirt from entering the internal mechanism.

Note: Some of the images that are in this procedure do not show the sprocket assembly that is attached to the final drive housing. If necessary, the weights that are given include the weight of the sprocket assembly.

1. Put an alignment mark across the sections of the final drive for assembly purposes. The parts must be reinstalled in the part's original locations.



Illustration 1

g00708089

2. Fasten the final drive to Tooling (A) , as shown. The weight of the final drive assembly is approximately 312 kg (688 lb).
3. Remove bolts (1) and the washers that hold the cover in position.

<https://www.ebooklibonline.com>

Hello dear friend!

Thank you very much for reading.

Enter the link into your browser.

The full manual is available for immediate download.

<https://www.ebooklibonline.com>

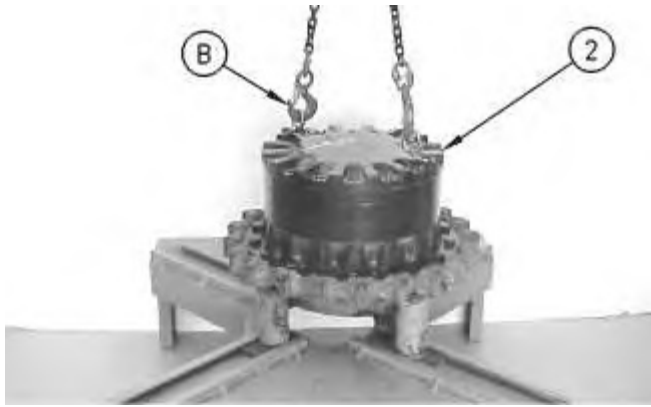


Illustration 2

g00708090

4. Remove the setscrews from the cover. Fasten Tooling (B) and a suitable lifting device to cover (2) , as shown. Remove the cover. The weight of the cover is approximately 32 kg (70 lb).

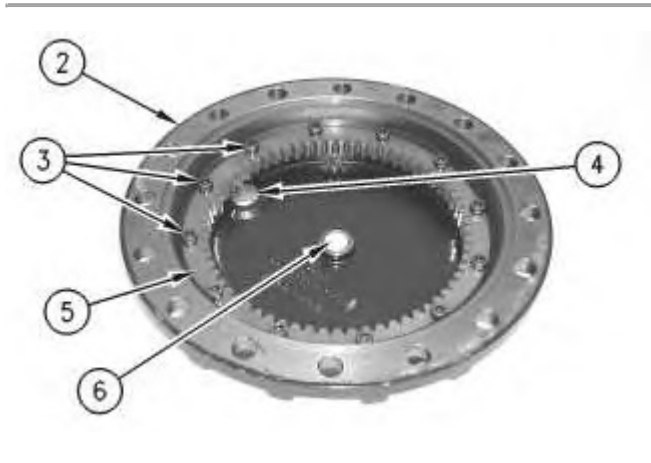
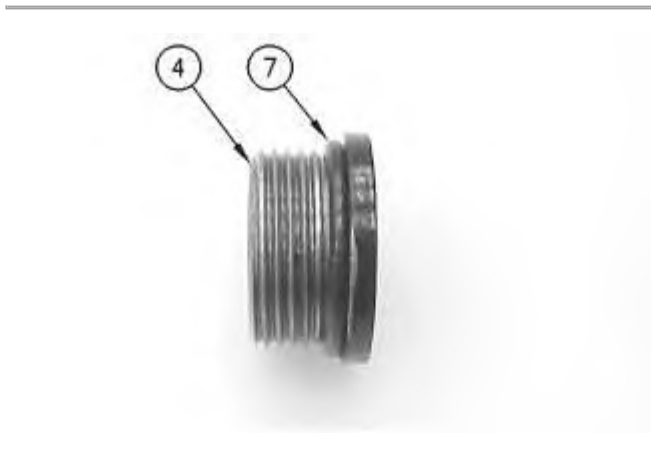


Illustration 3

g00879362

5. Remove bolts (3) . Remove gear (5) . Check plate (6) . Replace plate (6) if wear is shown. Remove plugs (4) from cover (2) .



6. Remove O-ring seal (7) from plugs (4) .



Illustration 5

7. Remove gear (8) . Remove spacer (9) .



Illustration 6

8. Remove retaining ring (10) with Tooling (C) . Remove washer (11) . Remove gear (12) . Remove bearing assembly (13) . Remove second washer (11) .
 9. Repeat Step 8 for the remaining two gear assemblies.
-

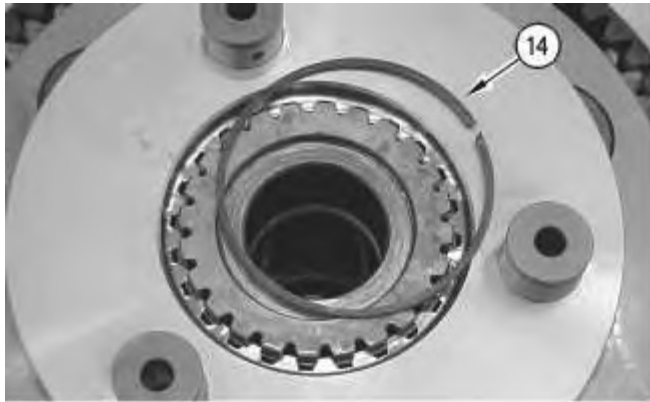


Illustration 7

g00781401

10. Remove retaining ring (14) .



Illustration 8

g00781407

11. Remove carrier assembly (15) .

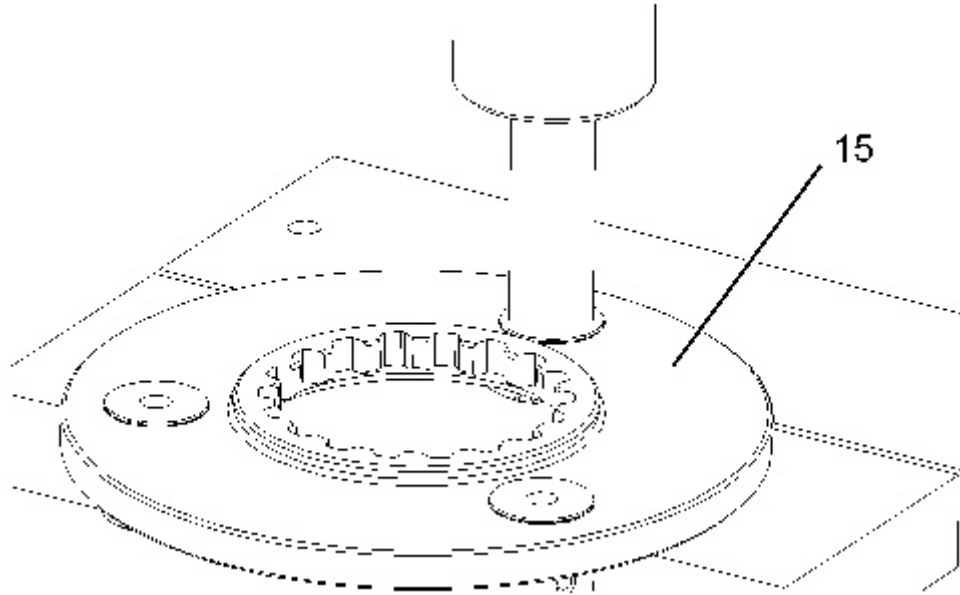


Illustration 9

g01389593

12. Use a suitable press in order to remove the shafts from carrier assembly (15).

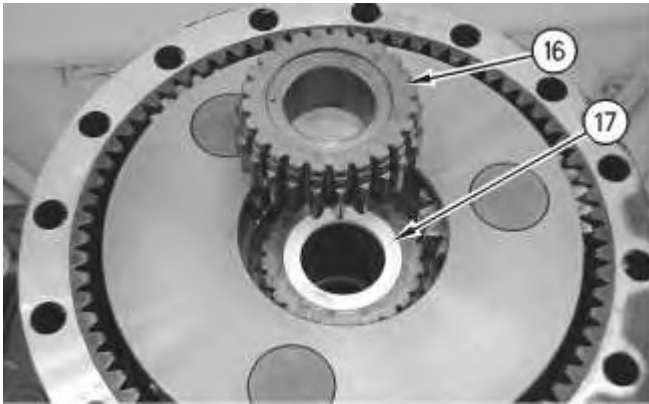


Illustration 10

g00781412

13. Remove gear (16) . Remove spacer (17) .



Illustration 11

g00781466

14. Remove retaining ring (18) .
15. Remove carrier assembly (19) .

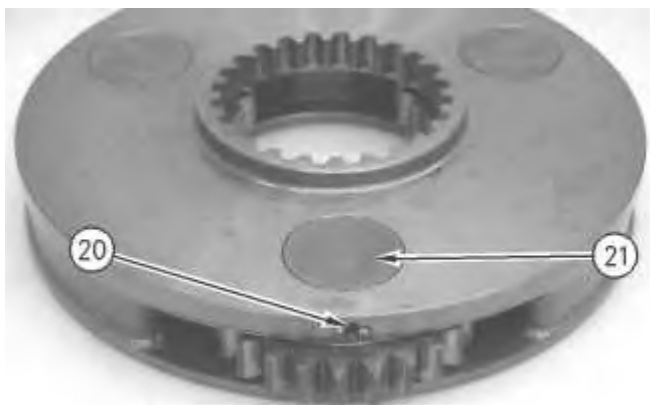


Illustration 12

g00879368

16. Disassemble carrier assembly (19) , as follows.
 - a. Drive spring pin (20) into planetary shaft (21) with a hammer and a punch.



- b. Remove planetary shaft (21) .
- c. Remove spring pin (20) from planetary shaft (21) with a hammer and a punch.

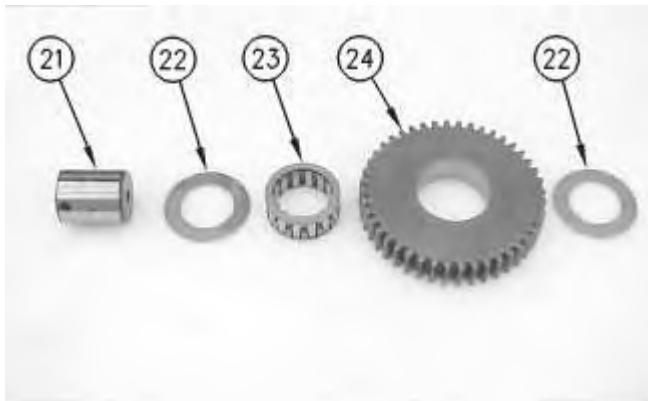


Illustration 14

- d. Remove thrust washers (22) and planetary gear (24) from the carrier assembly.
 - e. Remove bearing (23) from planetary gear (24) .
17. Repeat Steps 16.a through 16.e for the other two planetary.

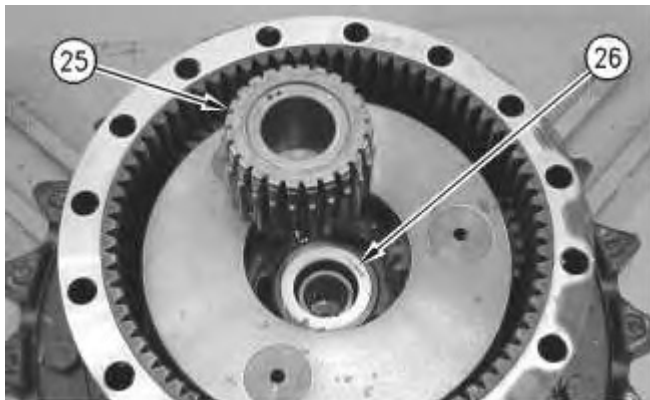


Illustration 15

18. Remove gear (25) . Remove spacer (26) .
-

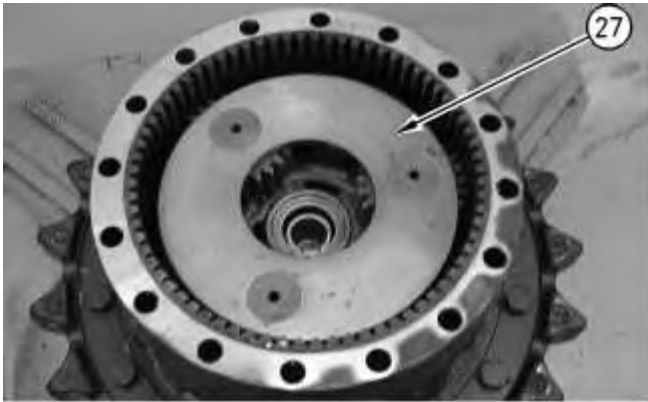


Illustration 16

g00781559

19. Remove carrier assembly (27) .
20. Use two people to remove carrier assembly (27) . The weight of the carrier assembly is approximately 38 kg (85 lb).
21. Disassemble carrier assembly (27) , as follows.



Illustration 17

g00781719

- a. Drive spring pin (29) into planetary shaft (28) with a hammer and a punch.



- b. Remove planetary shaft (28) .
- c. Remove spring pin (29) from planetary shaft (28) with a hammer and a punch.

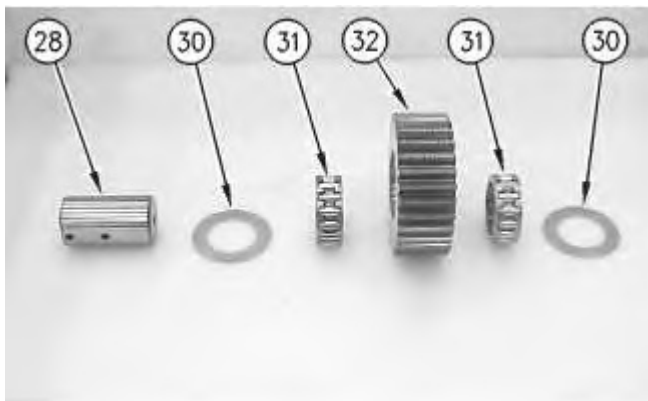


Illustration 19

- d. Remove thrust washers (30) and planetary gear (32) from the carrier assembly.
 - e. Remove two bearings (31) from the planetary gear.
22. Repeat Steps 21.a through 21.e for the other two planetary gears.



Illustration 20

23. Use two people to remove gear (33) . The weight of gear is approximately 41 kg (90 lb).
-



Illustration 21

g00781807

24. Remove O-ring seal (34) .

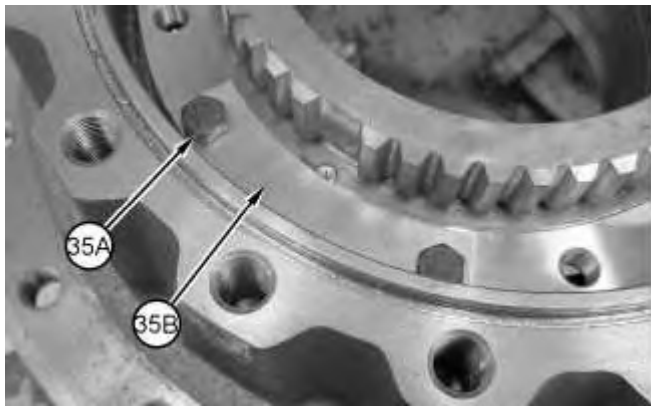


Illustration 22

g01147650

25. Remove bolts (35A) and plates (35B) .

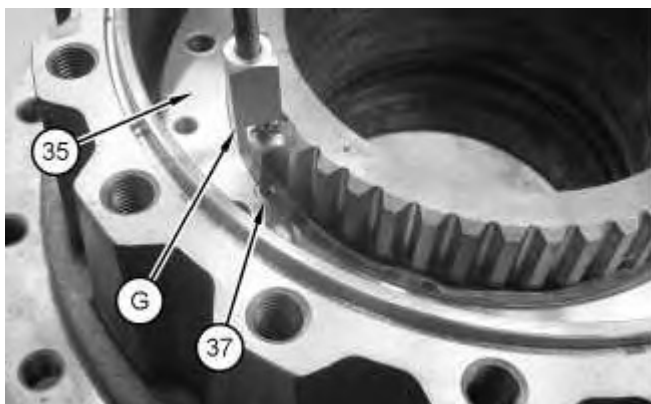


Illustration 23

g01147651

26. Use Tooling (G) to remove dowel (37) from stopper plate (35) .

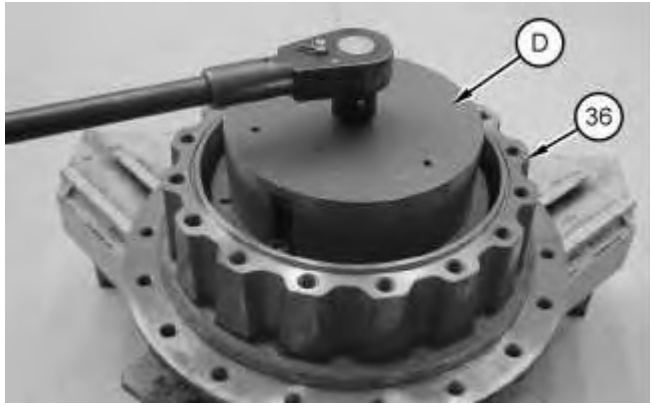


Illustration 24

g01147759

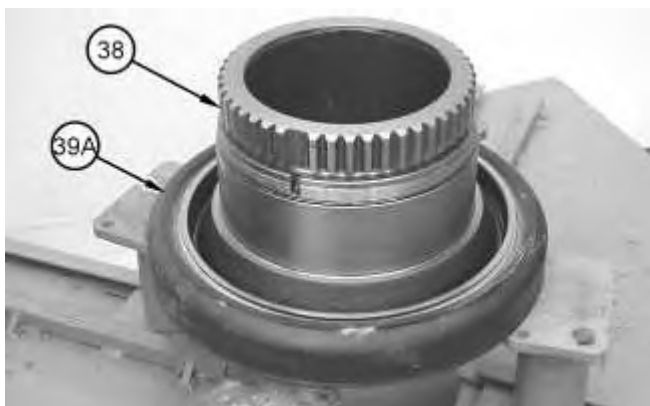
27. Secure Tooling (D) to stopper plate (35) . Use Tooling (D) to remove stopper plate (35) .



Illustration 25

g01147930

28. Use Tooling (E) and a suitable lifting device to remove housing (36) . The weight of housing (36) is approximately 100 kg (220 lb).



29. Remove Duo-Cone seal (39A) from housing (38) .



Illustration 27

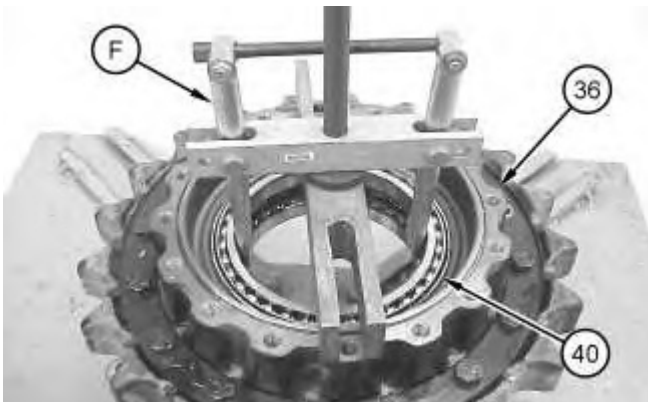


Illustration 28

30. Remove Duo-Cone seal (39B) from housing (36) .
31. Use Tooling (F) in order to remove bearings (40) and (41) from housing (36) .
32. If necessary, remove the final drive sprocket from the sprocket housing. Refer to Disassembly and Assembly, "Final Drive Sprocket - Remove and Install".

[Previous Screen](#)

Product: EXCAVATOR

Model: 328D LCR EXCAVATOR GTN

Configuration: 328D LCR Excavator GTN00001-UP (MACHINE) POWERED BY C7 Engine

Disassembly and Assembly 328D Excavator Machine Systems

Media Number -KENR6014-04

Publication Date -01/02/2017

Date Updated -17/02/2017

i06252413

Final Drive - Disassemble - Type-Two

SMCS - 4050-015

S/N - GTN188-UP

S/N - MKR198-UP

S/N - RMX1-UP

S/N - SWF1-UP

Disassembly Procedure

Table 1

Required Tools			
Tool	Part Number	Part Description	QTY
A	439-3940	Link Brackets	3
B	439-3939	Link Bracket	2
C	154-6183	Forcing Bolts	3

Start By:

- A. Remove the final drive and the travel motor.
 1. Put an alignment mark across the sections of the final drive for assembly purposes. The parts must be reinstalled in the original locations.
-

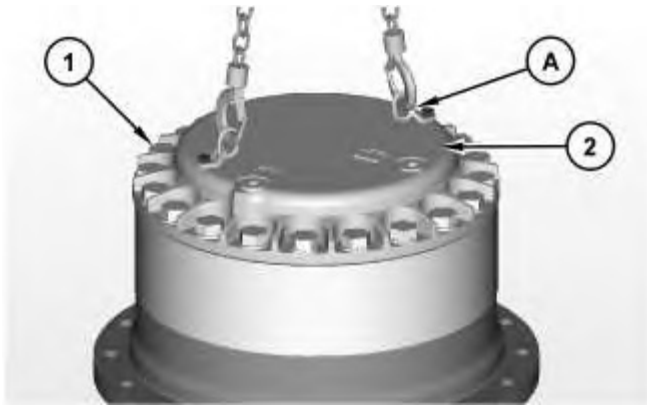


Illustration 1

g02151790

Note: The weight of the entire final drive assembly is approximately 550 kg (1200 lb).

2. Attach Tooling (A) and a suitable lifting device to cover (2) . The weight of cover (2) is approximately 32 kg (70 lb). Remove bolts (1) and cover (2) .

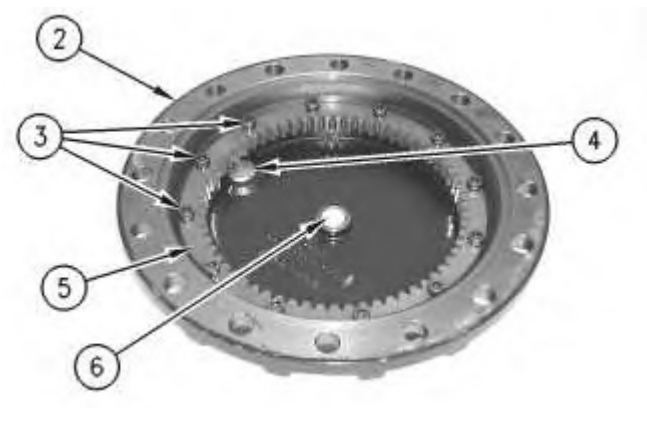


Illustration 2

g00879362

3. Remove bolts (3) . Remove gear (5) . Remove plate (6) . Remove plugs (4) from cover (2) .



- Remove O-ring seal (7) from plugs (4) .

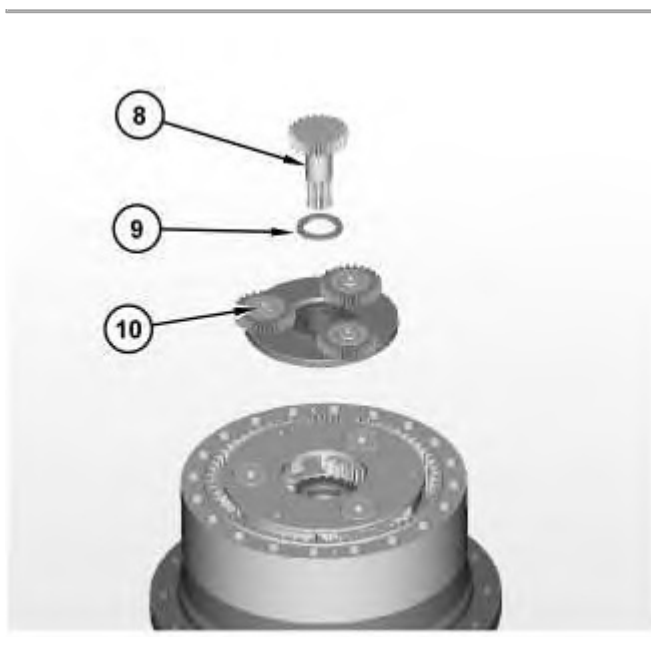


Illustration 4

- Remove sun gear (8) , spacer (9) , and planetary gear assembly (10) .

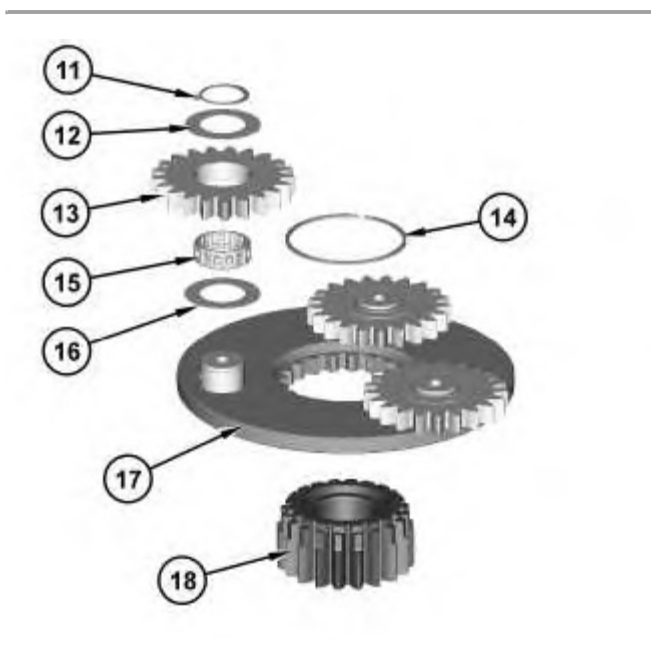


Illustration 5

- Remove retaining ring (11) , washer (12) , planetary gear (13) , roller bearing (15) , and washer (16) from carrier assembly (17) .

7. Repeat Step 6 for the remaining two gear assemblies.
8. Remove retaining ring (14) and sun gear (18) from carrier assembly (17) .

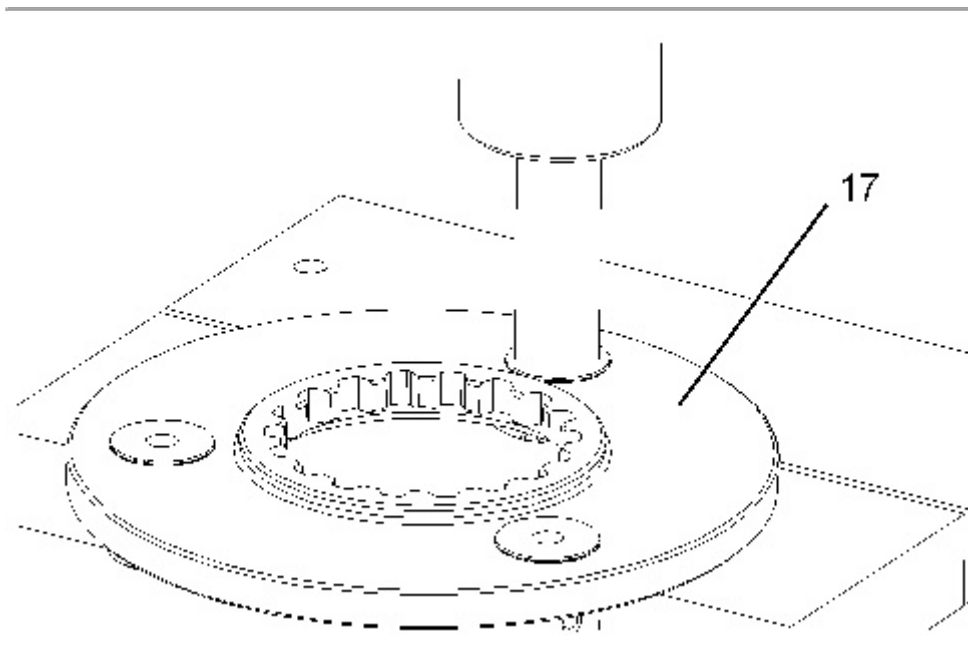


Illustration 6

g02152150

9. Use a suitable press to remove the shafts from carrier assembly (17) .

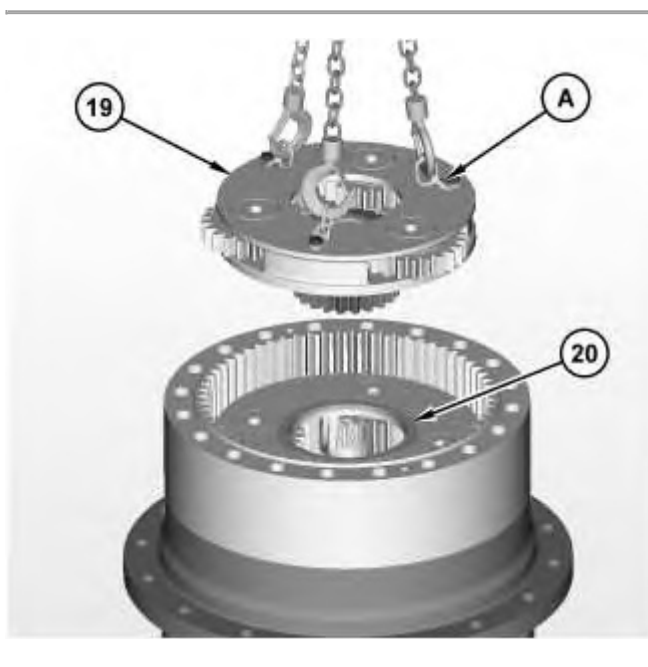


Illustration 7

g02151813

10. Attach Tooling (A) and a suitable lifting device to planetary gear assembly (19) . The weight of planetary gear assembly (19) is approximately 48 kg (105 lb). Remove planetary gear assembly (19) .
11. Remove spacer (20) .

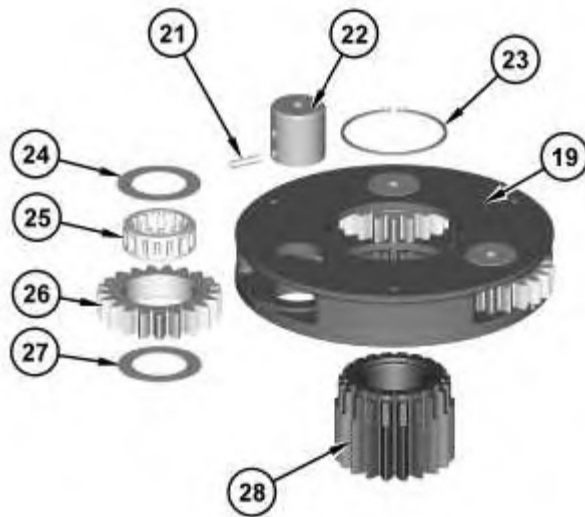


Illustration 8

g02151782

12. Drive spring pin (21) into planetary shaft (22) with a suitable hammer and a suitable punch.
 13. Remove planetary shaft (22) , washer (24) , roller bearing (25) , planetary gear (26) , and washer (27) from the planetary gear assembly (19) .
 14. Remove spring pin (21) from planetary shaft (22) with a suitable hammer and a suitable punch.
 15. Remove retaining ring (23) and sun gear (28) from planetary gear assembly (19) .
-

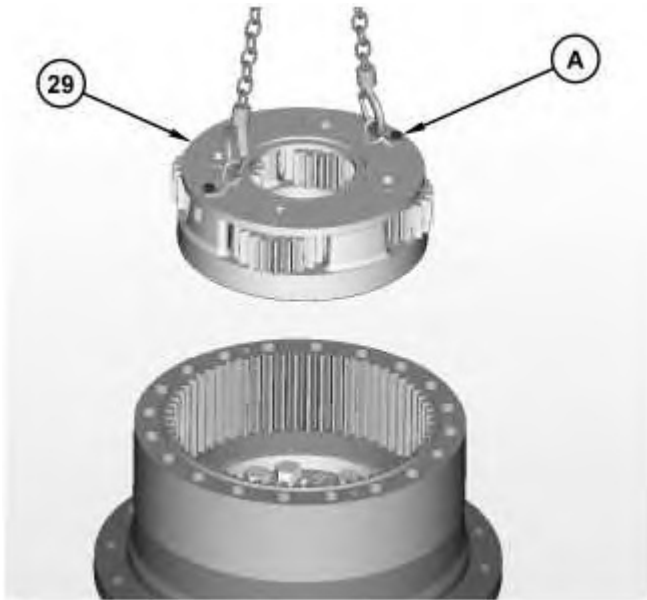


Illustration 9

g02152208

16. Attach Tooling (A) and a suitable lifting device to planetary gear assembly (29) . The weight of planetary gear assembly (29) is approximately 38 kg (85 lb). Remove planetary gear assembly (29) .



Illustration 10

g02152467

17. Drive spring pin (30) into planetary shaft (31) with a suitable hammer and a suitable punch.
18. Remove planetary shaft (31) , washer (32) , roller bearings (33) , planetary gear (34) , and washer (35) from the planetary gear assembly (29) .
19. Remove spring pin (30) from planetary shaft (31) with a suitable hammer and a suitable punch.

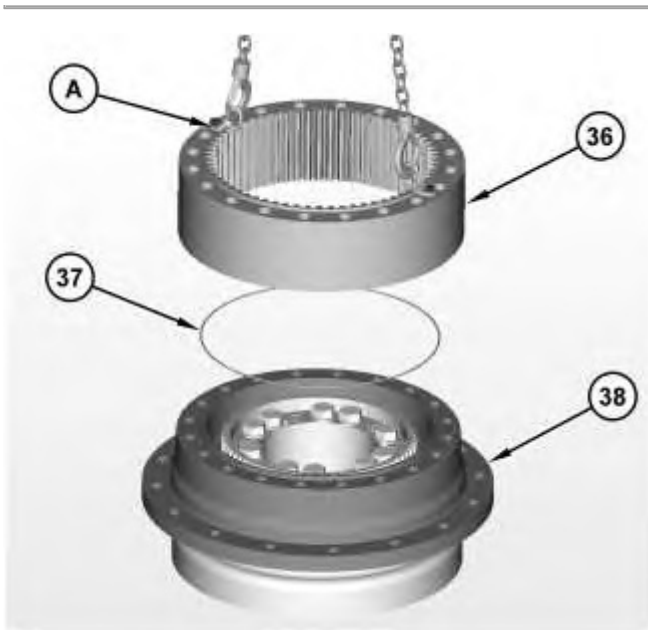


Illustration 11

g02152399

20. Attach Tooling (A) and a suitable lifting device to ring gear (36) . The weight of ring gear (36) is approximately 66 kg (146 lb). Remove ring gear (36) .
21. Remove O-ring seal (37) from sprocket housing (38) .

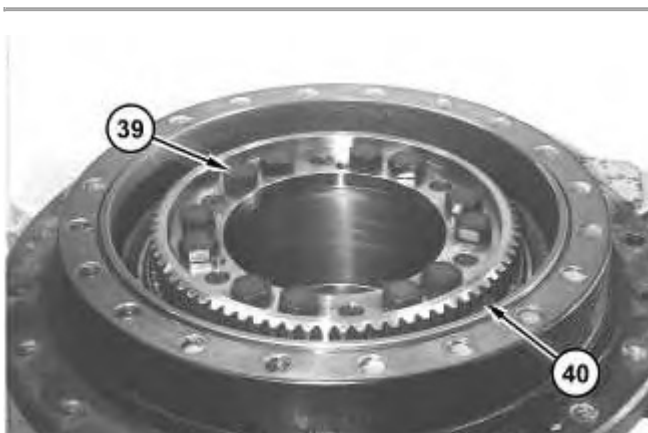


Illustration 12

g02152525

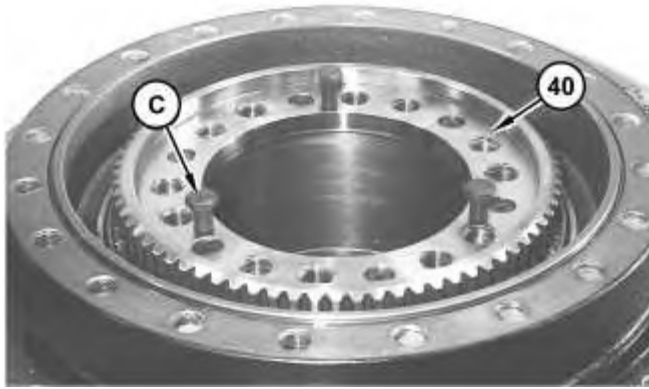


Illustration 13

g02152528

Note: Mark the orientation of coupling gear (40) for assembly purposes.

22. Remove bolts (39) from coupling gear (40) . Use Tooling (C) in order to remove coupling gear (40) from the motor housing.



Illustration 14

g02152546

23. Remove shims (41) from the motor housing.



Note: Upper bearing cone (42) and lower bearing cone (43) are a slip fit on the motor housing. While you remove sprocket housing (38) from the motor housing, upper bearing cone (42) may stay with the sprocket housing, or upper bearing cone (42) may stay on the motor housing.

24. Attach Tooling (B) and a suitable lifting device to sprocket housing (38) . The weight of sprocket housing (38) is approximately 109 kg (240 lb). Remove sprocket housing (38) and upper bearing cone (42) .

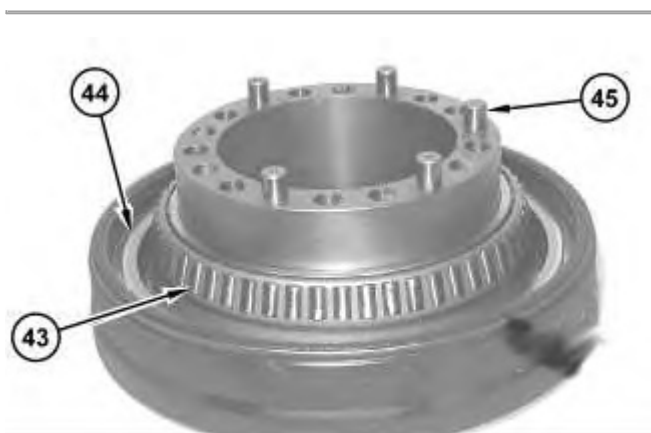


Illustration 16

g02152595

25. Remove dowels (45) from the motor housing.
26. Remove Duo-Cone seal (44) from the motor housing.
27. If lower bearing cone (43) remained on the motor housing, then remove the lower bearing cone.



Illustration 17

g02152598

28. Remove Duo-Cone seal (46) from the sprocket housing.

29. If upper bearing cone (42) remained on the sprocket housing, then remove the upper bearing cone.
30. Remove the bearing cups from the sprocket housing.

(Type 1) Disassembly Procedure

Table 2

Required Tools			
Tool	Part Number	Part Description	Qty
A	439-3940	Link Brackets	3
B	154-6183	Forcing Bolts	3
C	439-3941	Link Brackets	3

Start By:

- A. Remove the final drive and the travel motor.



Illustration 18

g02131413

1. Attach Tooling (A) and a suitable lifting device to cover (2) . The weight of cover (2) is approximately 20 kg (45 lb). Remove bolts (1) and cover (2) .
-



Suggest:

If the above button click is invalid.

Please download this document

first, and then click the above link

to download the complete manual.

Thank you so much for reading



Illustration 19

g02131414

2. Remove plate (3) from cover (2) .

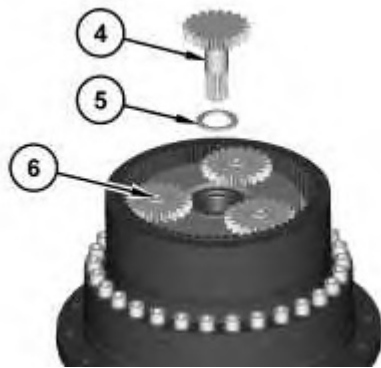


Illustration 20

g02131415

3. Remove sun gear (4) , spacer (5) , and planetary gear assembly (6) .
-

<https://www.ebooklibonline.com>

Hello dear friend!

Thank you very much for reading.

Enter the link into your browser.

The full manual is available for immediate download.

<https://www.ebooklibonline.com>