



Service Repair Manual

Models

325C, 325C L and 325C LN
Excavator

[Previous Screen](#)

Product: EXCAVATOR

Model: 325C EXCAVATOR CSJ

Configuration: 325C L & 325C LN Excavator CSJ00001-UP (MACHINE) POWERED BY 3126 Engine

Disassembly and Assembly 325C Excavator Machine Systems

Media Number -REN5367-11

Publication Date -01/01/2012

Date Updated -17/02/2017

i01734747

Travel Motor - Disassemble

SMCS - 4351-015

Disassembly Procedure

Start By:

- A. Remove the travel motor. Refer to Disassembly and Assembly, "Travel Motor - Remove".

NOTICE

Care must be taken to ensure that fluids are contained during performance of inspection, maintenance, testing, adjusting and repair of the product. Be prepared to collect the fluid with suitable containers before opening any compartment or disassembling any component containing fluids.

Refer to Special Publication, NENG2500, "Caterpillar Tools and Shop Products Guide" for tools and supplies suitable to collect and contain fluids on Caterpillar products.

Dispose of all fluids according to local regulations and mandates.

1. Thoroughly clean the outside of the travel motor prior to disassembly.
2. Fasten the travel motor to a suitable holding fixture in a vertical position. The weight of the travel motor is 60 kg (132 lb).
3. Put an alignment mark across the head and the body of the travel motor for assembly purposes. The head must be reinstalled in the head's original position on the body of the travel motor.

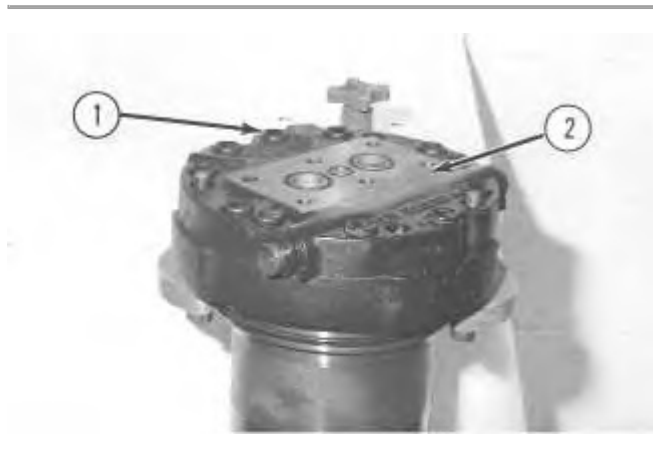


Illustration 1

g00510326

Note: During the removal of head (2) from the travel motor, be careful not to damage the mating surfaces of the components.

4. Remove bolts (1) .
5. Remove head (2) from the body of the travel motor.

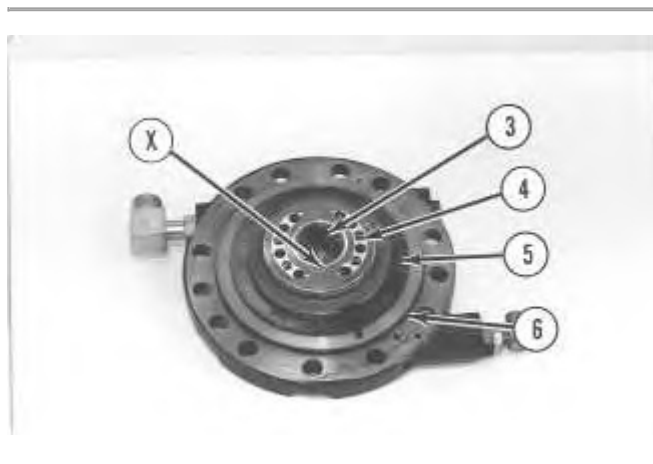


Illustration 2

g00510341



<https://www.ebooklibonline.com>

Hello dear friend!

Thank you very much for reading.

Enter the link into your browser.

The full manual is available for immediate download.

<https://www.ebooklibonline.com>

Illustration 3

g00510349

6. Turn over head (2) .
7. Remove O-ring seal (6), shims (5), port plate (4), and bearing (3) from the head.
8. Remove the check valve assemblies from the head.

Note: There is a retainer under spring (9). This retainer is a press fit in head (2). Do not remove the retainer.

9. Insert a dowel rod with a small diameter into Hole (X). Tap the dowel rod with a plastic hammer in order to remove spring (9), poppet (8), and seat (7) from the head.



Illustration 4

g00510351

10. Remove three fittings (10) and plugs (11) from the head. Remove the O-ring seal from each fitting.

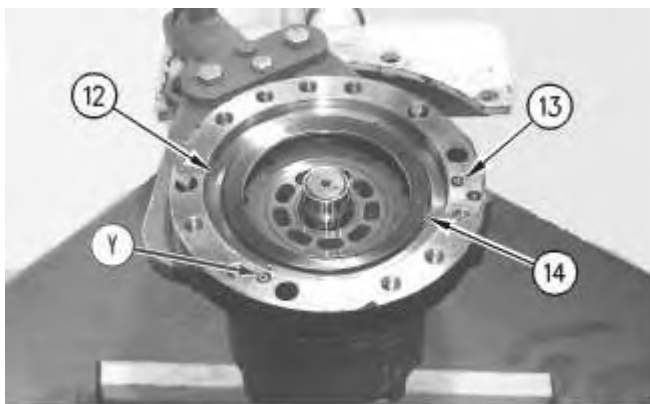


Illustration 5

g00878239

11. Remove O-ring seals (13) and washer set (12) from the body of the travel motor.

- Place a shop towel over brake piston (14). Retain brake piston (14) by hand, and apply approximately 525 kPa (75 psi) of shop air pressure to brake release Port (Y). Make sure that the shop air pressure is free of water. Brake piston (14) will move up the piston guide, and out of the piston guide. Remove brake piston (14) from the body of the travel motor.

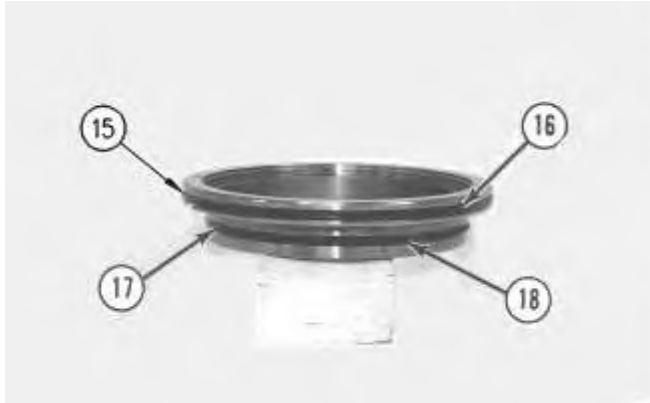


Illustration 6

g00878248

- Remove O-ring seal (16) from the brake piston. Remove backup ring (15) from the brake piston.
- Remove O-ring seal (17) from the brake piston. Remove backup ring (18) from the brake piston.



Illustration 7

g00510356

- Remove piston guide (19), five friction plates (20) and the four steel plates from the body of the travel motor.
-

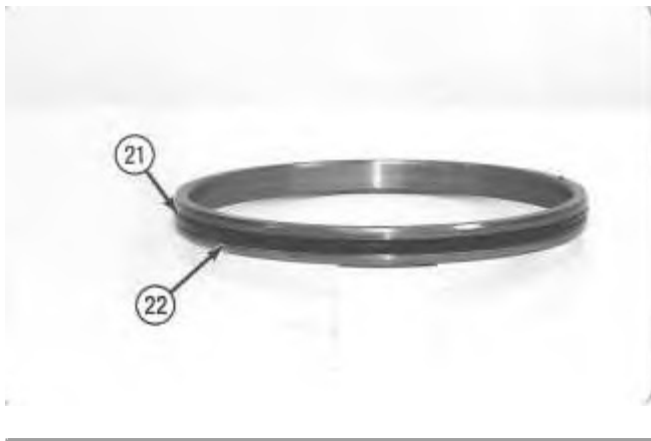


Illustration 8

g00510359

16. Remove O-ring seal (21) from the piston guide. Remove backup ring (22) from the piston guide.

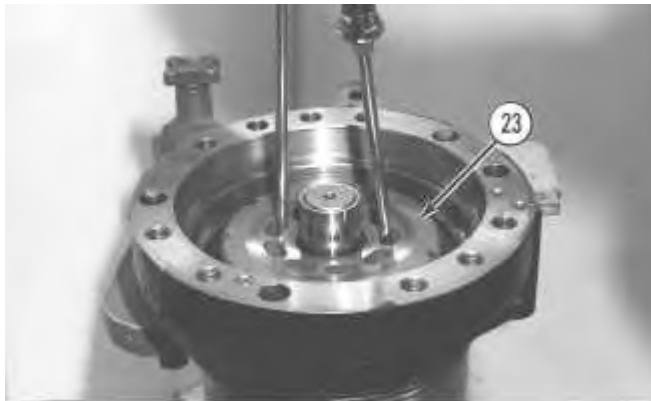


Illustration 9

g00510365

Note: Do not allow the components of barrel assembly (23) to come apart during the removal from the travel motor. All of the components in the barrel assembly must be reinstalled in the component's original location.

17. Use two large screwdrivers, as shown. Slowly remove barrel assembly (23) from the body of the travel motor. Do not allow the components to fall apart.



Illustration 10

g00878253

Note: Shoe retainer (24) and piston shoe assemblies (25) are nonserviceable separately. Prior to the removal of the shoe retainer and the piston shoe assemblies from barrel (26), put identification marks on piston shoe assemblies (25) for assembly purposes. Identification marks are used to identify the piston shoe assembly's location in shoe retainer (24) and barrel (26). The piston shoe assemblies must be reinstalled in the piston shoe assembly's original bores in the shoe retainer and the barrel.

18. Remove shoe retainer (24) and piston shoe assemblies (25) from barrel (26). Separate the piston shoe assemblies from the shoe retainer.

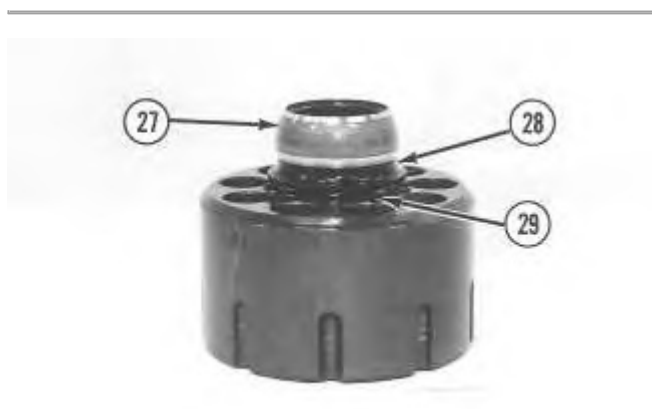


Illustration 11

g00510504

19. Remove guide (27), spacer (28), and springs (29) from the barrel.

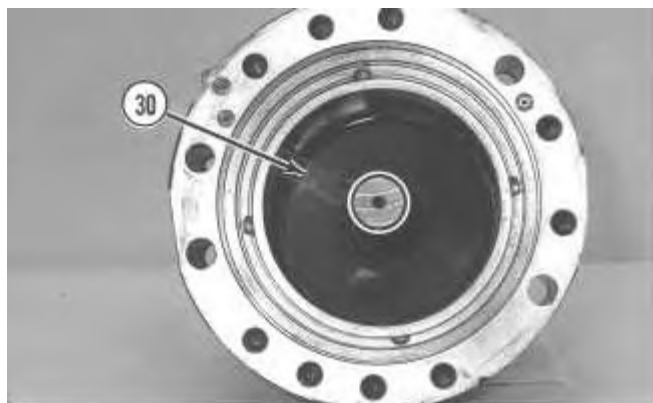


Illustration 12

g00510547

20. Remove cam plate (30) from the body of the travel motor.

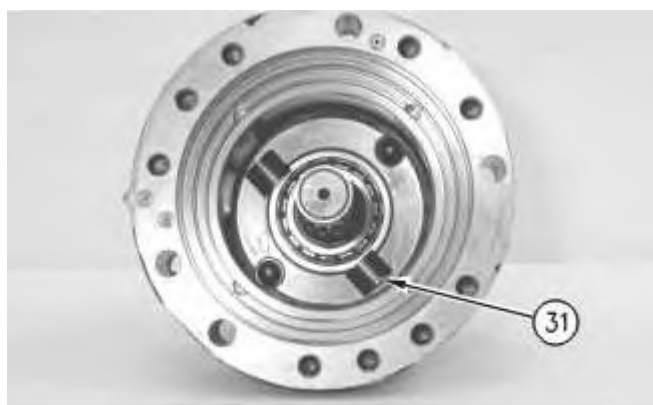


Illustration 13

g00510550

21. Remove two keys (31) and the two locating pins (not shown) from the body of the travel motor.



Illustration 14

g00510551

22. Remove O-ring seal (33) from the body of the travel motor.
23. Use a soft faced hammer to remove shaft assembly (34) from the body of the travel motor. Remove the shaft assembly in the direction that is indicated by the arrow. Refer to Illustration 14.

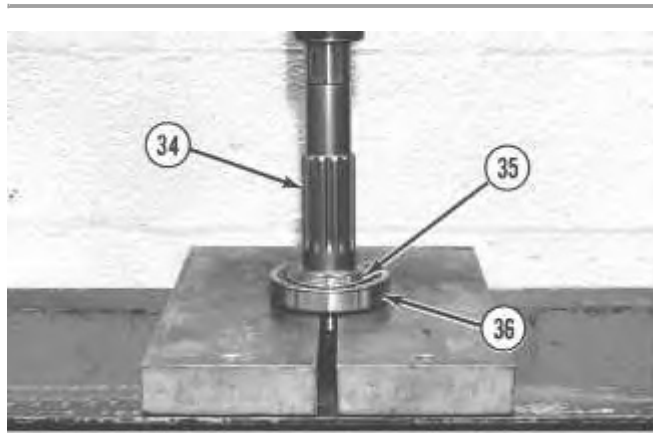


Illustration 15

g00510595

24. Remove retaining rings (35) from each side of bearing (36). Push shaft (34) out of bearing (36) with a press.

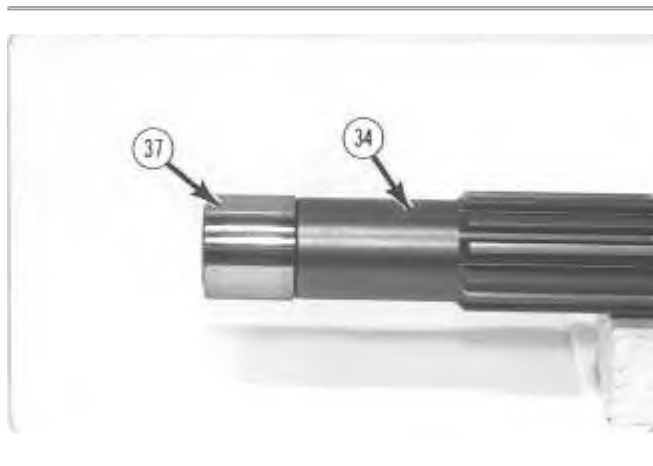


Illustration 16

g00510598

25. Remove inner race (37) from shaft (34) .
-



Illustration 17

g00510599

26. Remove lip seal (38) from the body of the travel motor.

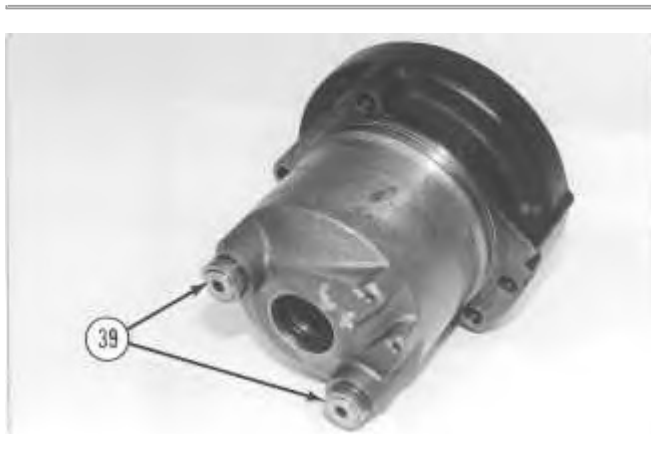


Illustration 18

g00510605

27. Remove two stoppers (39) and the two pistons from the body of the travel motor.

[Previous Screen](#)

Product: EXCAVATOR

Model: 325C EXCAVATOR CSJ

Configuration: 325C L & 325C LN Excavator CSJ00001-UP (MACHINE) POWERED BY 3126 Engine

Disassembly and Assembly 325C Excavator Machine Systems

Media Number -REN5367-11

Publication Date -01/01/2012

Date Updated -17/02/2017

i01706705

Travel Motor - Assemble

SMCS - 4351-016

Assembly Procedure

Table 1

Required Tools			
Tool	Part Number	Part Description	Qty
A	1P-0510	Driver Gp	1

1. Make sure that all of the components of the travel motor are thoroughly clean and free of dirt and debris prior to assembly.

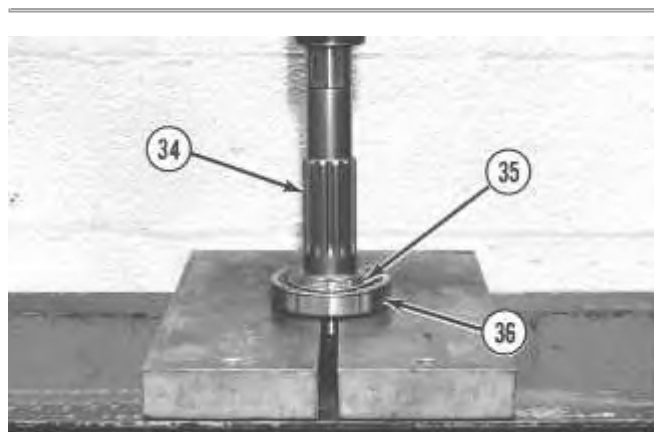


Illustration 1

g00510595

2. Install retaining ring (35) in the groove on shaft (34).
3. Install bearing (36) on shaft (34) with a press. Install the bearing until the bearing contacts the retaining ring.

4. Install the other retaining ring on the opposite side of bearing (36).

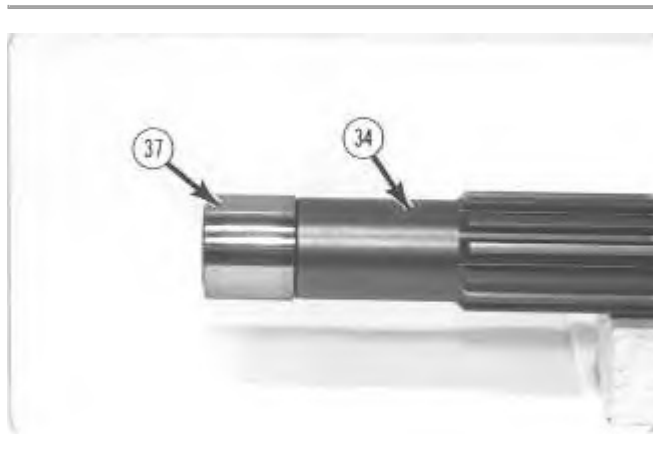


Illustration 2

g00510598

5. Install inner race (37) on the end of shaft (34) until the inner race is seated against the shoulder on the shaft.

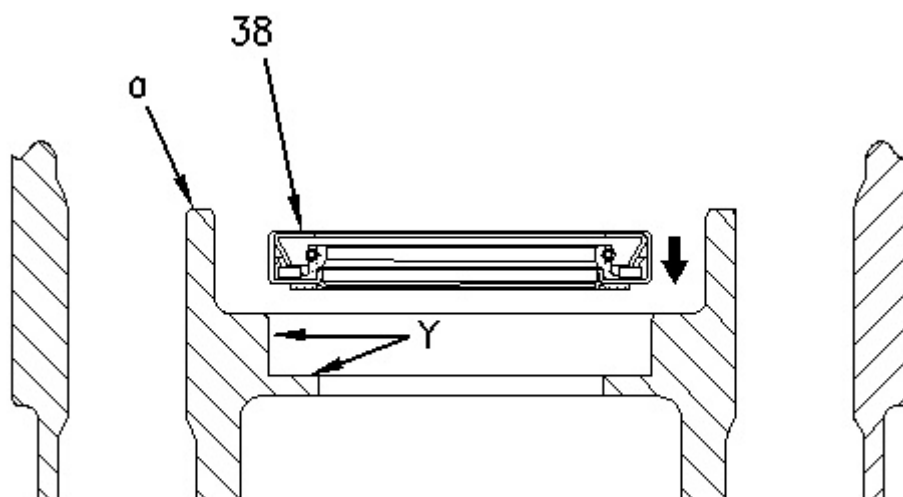


Illustration 3

g00651891

(a) Body

6. Apply a thin coat of **5P-3413** Pipe Sealant on Surfaces (Y) of the body of the travel motor.
7. Use Tooling (A) in order to install lip seal (38).
8. Install lip type seal (38) in the body of the travel motor. Install the lip seal so that the sealing lip is facing in the direction that is shown. Make sure that the lip seal contacts the counterbore in the body of the travel motor.

Note: Slowly rotate shaft assembly (34) during the installation in order to make sure that the shaft assembly does not bind in the body of the travel motor.

9. Apply clean hydraulic oil on the lip of lip seal (38).

10. Use a press to install shaft assembly (34) in the body of the travel motor. Slowly rotate the shaft during the installation in order to make sure that the shaft does not bind. Make sure that the bearing on the shaft contacts the counterbore in the body of the travel motor.

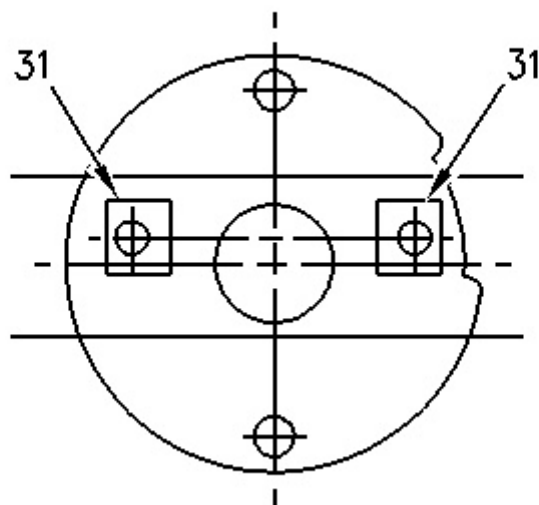


Illustration 4

g00651960

NOTICE

The locating pin on each key is not centered. In order to prevent damage to the barrel assembly during assembly of the travel motor, the keys must be installed as shown. Also, the keys must be installed in the key's original location in the body of the travel motor.

11. Install the two locating pins and two keys (31) in the body of the travel motor, as shown.

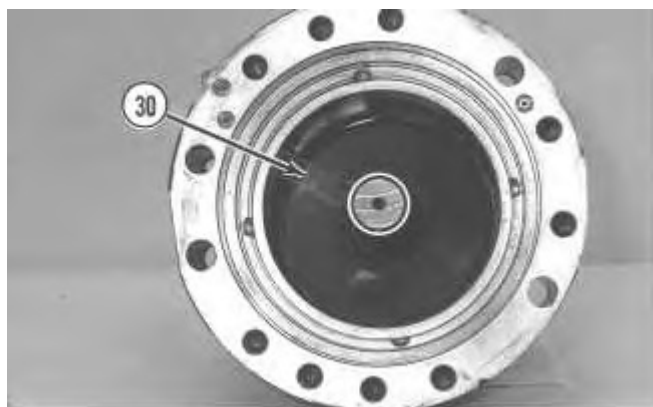


Illustration 5

g00510547

12. Install cam plate (30) in the body of the travel motor in the cam plate's original location. Make sure that the two pistons and two keys (31) in the body of the travel motor engage properly with the cam plate.

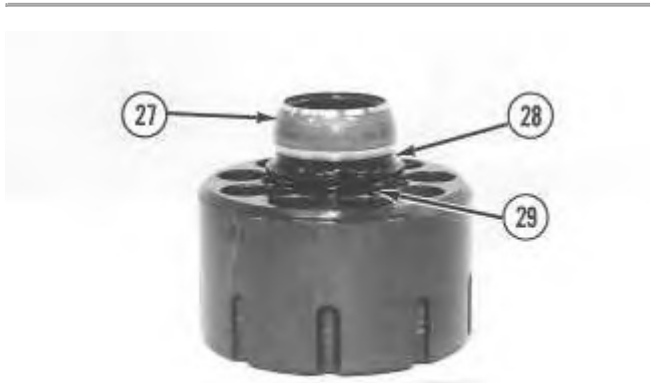


Illustration 6

g00510504

13. Install nine springs (29) in the barrel. Install spacer (28) and guide (27) on the barrel.

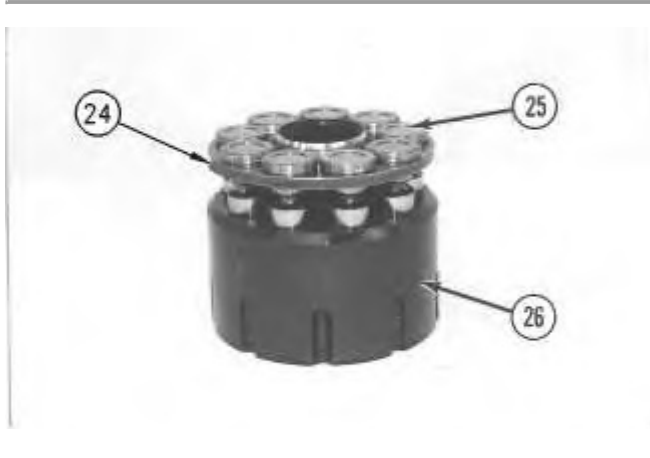


Illustration 7

g00878253

14. Install piston shoe assemblies (25) in the piston shoe assembly's original bores in shoe retainer (24).
15. Apply clean hydraulic oil in the bores of the barrel and on piston shoe assemblies (25). Install the piston shoe assemblies with the shoe retainer in the piston shoe assembly's original bore in barrel (26).

NOTICE

Make sure that the cam plate is correctly engaged with the two pistons in the body of the travel motor prior to installing the barrel assembly.

When the body of the travel motor is tilted to allow the installation of the barrel assembly, the cam plate can slide off of the two pistons. The remaining parts of the travel motor can be assembled with the cam plate in the incorrect position.

Extensive damage will result from the incorrect installation of the cam plate. Follow the exact installation procedure to prevent damage.

16. Apply clean hydraulic oil on the sliding surfaces of the cam plate, on the piston shoe assemblies and on the splined shaft of the travel motor.

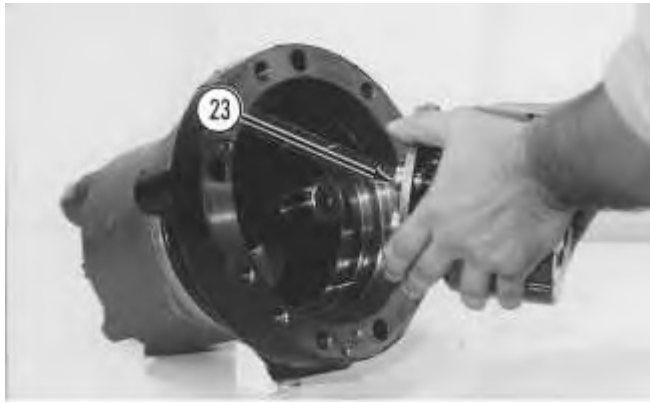


Illustration 8

g00485953

17. Route a piece of strong string through an opening for the cam plate tension adjusters. Route the string over the sliding surface of cam plate (30) and through the opposite opening for the cam plate tension adjusters. Hold the string taut in order to keep cam plate (30) correctly engaged with keys (31). Keep the string taut and position the body of the travel motor on the body's side. Do not release the tension on the string at this time. Install barrel assembly (23) as a unit on the shaft. Pull the string out of the body of the travel motor. It may be necessary to pull the barrel assembly and the piston shoe assemblies away from the cam plate slightly in order to release the string.
-

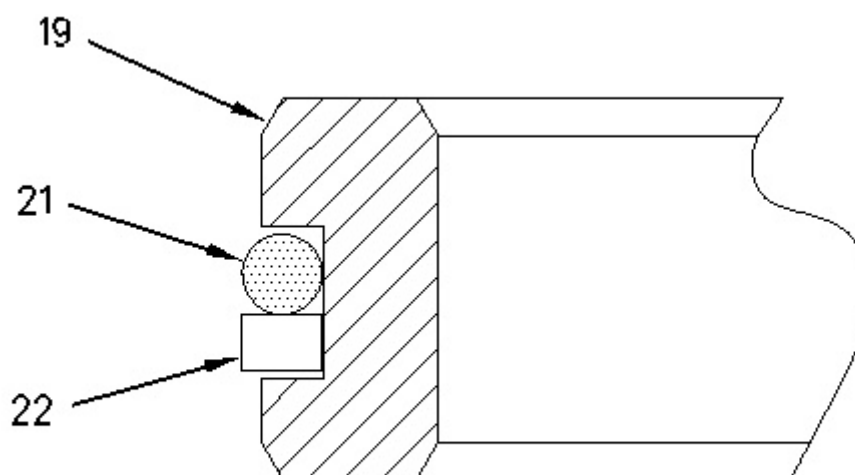


Illustration 9

g00651967

18. Install O-ring seal (21) and backup ring (22) on piston guide (19), as shown.



Illustration 10

g00510356

19. Place the body of the travel motor in a vertical position.
20. Apply clean hydraulic oil on five friction plates (20) and the four steel plates. Install the plates in alternating order in the body of the travel motor. Start with a friction plate and end with a friction plate.
21. Install piston guide (19) in the body of the travel motor until the piston guide contacts the counterbore in the body of the travel motor.

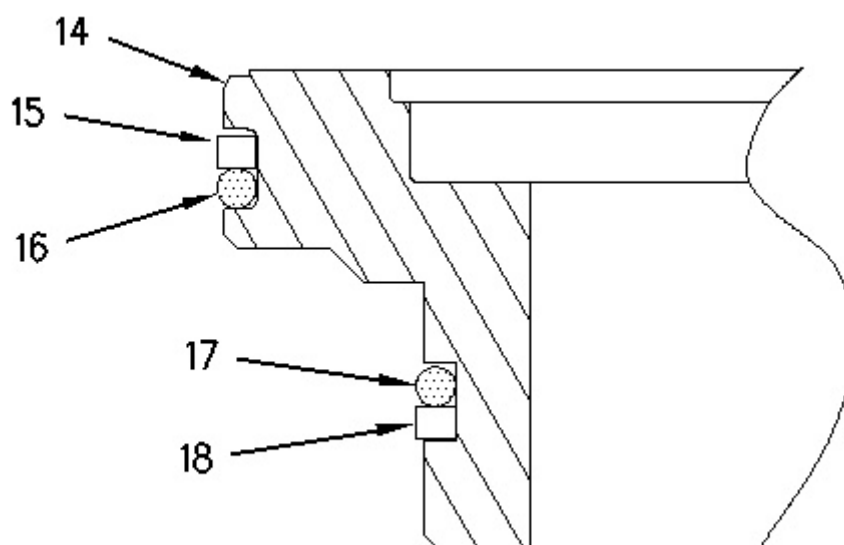


Illustration 11

g00878297

Note: Make sure that brake piston (14) is thoroughly clean and free of dirt and debris.

22. Install O-ring seal (16). Install backup ring (15).
23. Install O-ring seal (17). Install backup ring (18).

24. Apply a thin coat of hydraulic oil on the surfaces of piston (14) which contact the body of the travel motor. Install piston (14) in the body of the travel motor by hand. It may be necessary to use a soft faced hammer to seat the piston correctly.
-

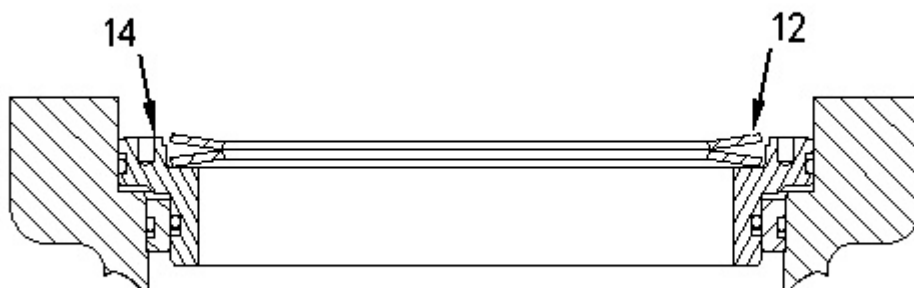


Illustration 12

g00878299

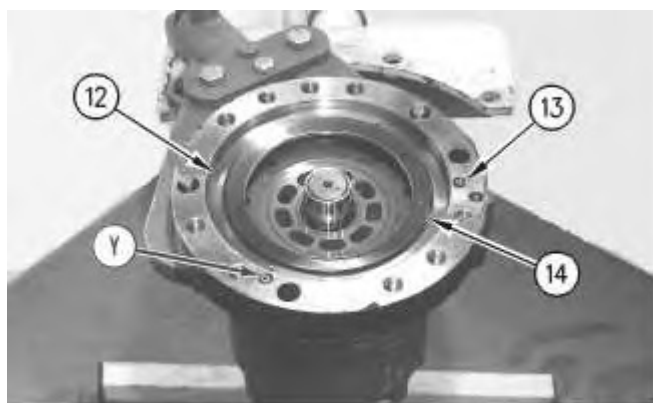


Illustration 13

g00878239

25. Install washer set (12) in piston (14), as shown.
26. Install O-ring seals (13) in the body of the travel motor, as shown.
-

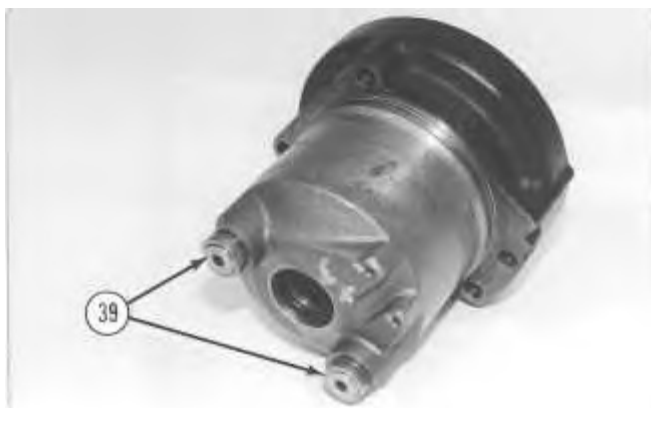


Illustration 14

g00510605

27. Install the two pistons and two stoppers (39) in the housing of the travel motor. Tighten the stoppers to a torque of $140 \pm 14 \text{ N}\cdot\text{m}$ ($105 \pm 10 \text{ lb ft}$).



Illustration 15

g00510351

28. Install the O-ring seals on fittings (10). Apply **5P-3413** Pipe Sealant on the threads of fittings (10). Install the fittings in the head, as shown.
29. Install plugs (11) in the head. Tighten each plug to a torque of $15 \pm 2 \text{ N}\cdot\text{m}$ ($11 \pm 1 \text{ lb ft}$).



Illustration 16

g00510349

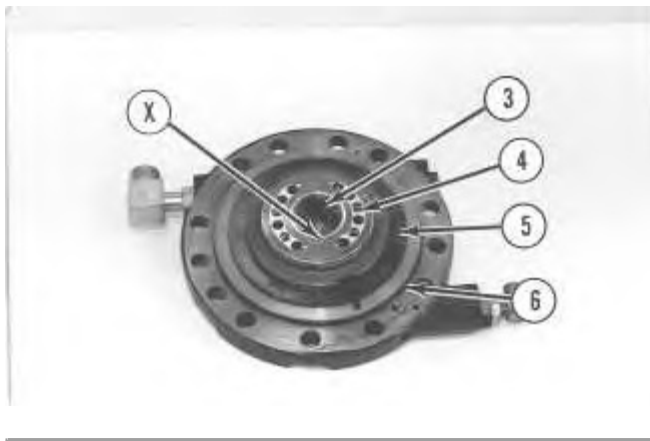


Illustration 17

g00510341

30. Apply a thin coat of **9S-3263** Thread Lock Compound on the threads of the two check valves. Install the check valves in the head.
31. Install seat (7), poppet (8) and spring (9) in the head at Location (X).
32. Install O-ring seal (6) in the head, as shown.
33. Install bearing (3) in the head until the bearing contacts the counterbore in the cover.
34. Apply **1U-6396** O-Ring Assembly Compound on port plate (4). Install the port plate in the port plate's original position on the motor cover.
35. Use a shim or shims (5) so that the following requirements are met.

Note: During the following checks, turn the travel motor output shaft in a clockwise direction.

- a. The travel motor output shaft does not rotate with an applied torque of 440 N·m (325 lb ft) or more with the parking brake release port open.
- b. The travel motor output shaft rotates with an applied torque of 29 N·m (21 lb ft) or less when the parking brake release port is pressurized to 780 kPa (115 psi) with both the inlet port and the outlet port open to the hydraulic oil tank.

Note: It may be necessary to remove head (2) several times in order to determine the correct thickness of shim or shims (5) that are used to adjust the rolling torque of the travel motor output shaft.

36. Apply a thin layer of **5P-0960** Molybdenum Grease on shim or shims (5). Install the shim or shims on the head. The grease will hold the shim or shims in place during the installation of the head. Install the head on the body of the travel motor.



Illustration 18

g00510326

37. Place head (2) in the head's original position on the travel motor. Install socket head bolts (1) that secure the head. Tighten the socket head bolts to a torque of $175 \pm 18 \text{ N}\cdot\text{m}$ ($130 \pm 13 \text{ lb ft}$).

NOTICE

To prevent possible damage to the travel motor, fill the unit with oil at least to the fill port before operating the machine. Refer to the Operation and Maintenance Manual for the correct oil specification.

End By:

- a. Install the travel motor. Refer to Disassembly and Assembly, "Travel Motor - Install" in this manual.

[Copyright 1993 - 2020 Caterpillar Inc.](#)

Sun Jul 12 12:15:48 UTC+0800 2020

[All Rights Reserved.](#)

[Private Network For SIS Licensees.](#)


[Previous Screen](#)

Product: EXCAVATOR

Model: 325C EXCAVATOR CSJ

Configuration: 325C L & 325C LN Excavator CSJ00001-UP (MACHINE) POWERED BY 3126 Engine

Disassembly and Assembly 325C Excavator Machine Systems

Media Number -REN5367-11

Publication Date -01/01/2012

Date Updated -17/02/2017

i03808350

Travel Motor - Install

SMCS - 4351-012

Installation Procedure

Table 1

Required Tools			
Tool	Part Number	Part Description	Qty
A	9U-7692	Threaded Rod	2

NOTICE

Care must be taken to ensure that fluids are contained during performance of inspection, maintenance, testing, adjusting and repair of the product. Be prepared to collect the fluid with suitable containers before opening any compartment or disassembling any component containing fluids.

Refer to Special Publication, NENG2500, "Caterpillar Dealer Service Tool Catalog" for tools and supplies suitable to collect and contain fluids on Caterpillar products.

Dispose of all fluids according to local regulations and mandates.

1. Thoroughly clean the mating surfaces of the travel motor and the final drive.
-



Illustration 1

g00878123

2. Install new O-ring seal (6) . Apply clean hydraulic oil on the O-ring seal.

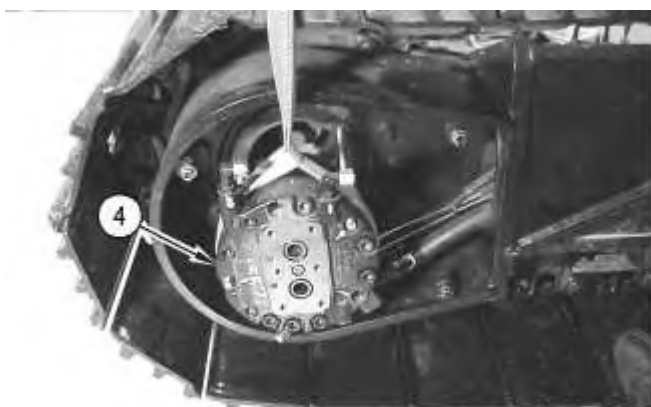


Illustration 2

g00707267

3. Attach a suitable lifting device to travel motor (4) , as shown.
4. The weight of the travel motor is approximately 57 kg (125 lb).

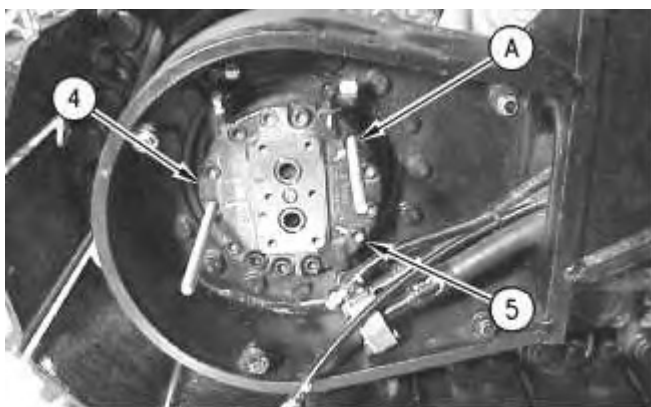


Illustration 3

g00878121

5. Carefully install travel motor (4) onto Tooling (A) . Slide the travel motor into the final drive.
6. Install one of three bolts (5) that secures the travel motor to the final drive.
7. Remove Tooling (A) .

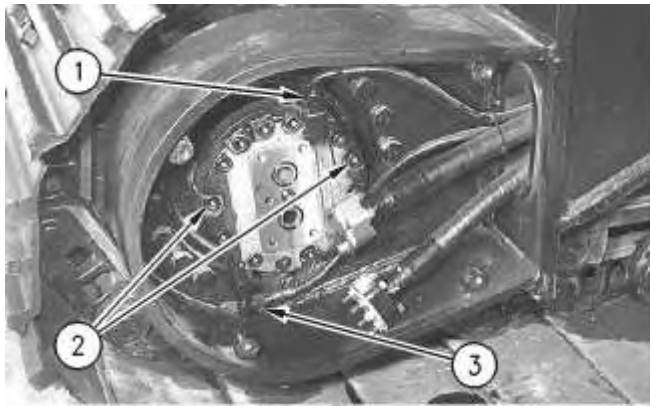


Illustration 4

g00707275

Typical example

8. Install remaining bolts (2) .
9. Connect hose assembly (3) . Connect hose assembly (1) .
10. Fill the final drive with oil.

Reference Refer to Operation and Maintenance Manual, "Lubricant Viscosities" for the proper oil viscosity.

Reference Refer to Operation and Maintenance Manual, "Final Drive Oil Level - Check" for the correct filling procedure.

11. Install high efficiency filters in place of the pilot filter, the case drain filter, and the return filter.

Note: High efficiency filters should not be run for more than 250 hours before you change back to the standard filters.

12. Obtain a hydraulic oil sample from the main S·O·S port.

Reference Refer to Operation and Maintenance Manual, "Sampling Interval and Location of Sampling Valve" for the correct location.

13. If the S·O·S sample exceeds ISO 18/15, flush the hydraulic system.

Reference Refer to Contamination Control Guidelines, SEBF8436, "Hydraulic System Flushing Procedure for 322C Hydraulic Excavators" for further information.

End By: Install the travel brake valve. Refer to Disassembly and Assembly, "Travel Brake Valve - Install".

[Copyright 1993 - 2020 Caterpillar Inc.](#)

Sun Jul 12 12:16:44 UTC+0800 2020

[All Rights Reserved.](#)

[Private Network For SIS Licensees.](#)


[Previous Screen](#)

Product: EXCAVATOR

Model: 325C EXCAVATOR CSJ

Configuration: 325C L & 325C LN Excavator CSJ00001-UP (MACHINE) POWERED BY 3126 Engine

Disassembly and Assembly 325C Excavator Machine Systems

Media Number -REN5367-11

Publication Date -01/01/2012

Date Updated -17/02/2017

i05453056

Final Drive - Remove

SMCS - 4050-011

Removal Procedure

Table 1

Required Tools			
Tool	Part Number	Part Description	Qty
A	8S-7611	Handle As	2
	8S-7615	Pin As	2
	283-1495	Stand Assembly	2
B	439-3939	Link Bracket As	2
C	154-6184	Forcing Bolt (M 20)	2
	154-6185 ⁽¹⁾	Forcing Bolt (M 24)	2

⁽¹⁾ For Use on 329 and 330 sales models

Start By:

- a. Separate the track assembly.
 - b. Remove the travel motor.
-



Suggest:

If the above button click is invalid.

Please download this document

first, and then click the above link

to download the complete manual.

Thank you so much for reading



Illustration 1
Typical Example

g00489826

Note: Adjust the height of Tooling (A) so that there is sufficient clearance between the sprocket and the track for the removal of the final drive.

1. Lift the side of the machine in order to install Tooling (A) under the frame, as shown.

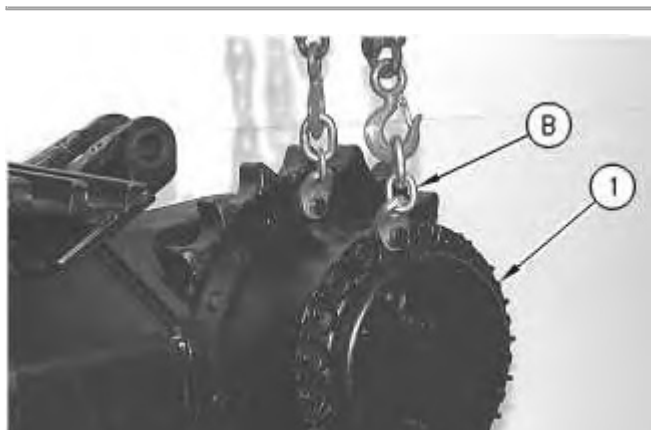


Illustration 2

g00712767

2. Fasten Tooling (B) and a suitable lifting device to final drive (1), as shown. Put a slight lifting tension on the final drive.

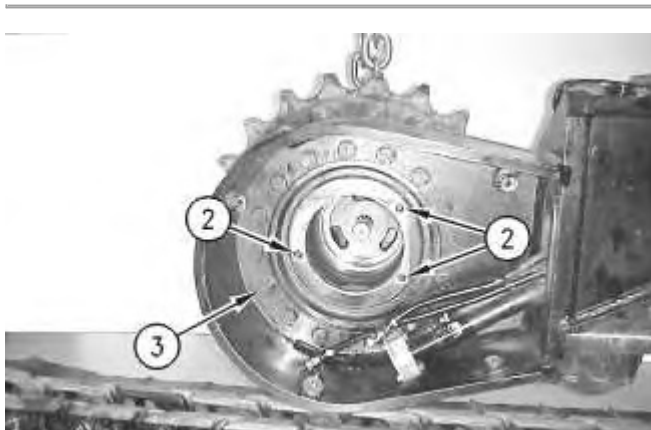


Illustration 3

g00712737

<https://www.ebooklibonline.com>

Hello dear friend!

Thank you very much for reading.

Enter the link into your browser.

The full manual is available for immediate download.

<https://www.ebooklibonline.com>