

**1207, 1209,
1217, and 1219
Mower-Conditioners**

**John Deere Ottumwa Works
TM1284 (15JAN02)**

LITHO IN U.S.A.
ENGLISH

FOREWORD

This manual is written for an experienced technician. Essential tools required in performing certain service work are identified in this manual and are recommended for use.

Live with safety: Read the safety messages in the introduction of this manual and the cautions presented throughout the text of the manual.



This is the safety-alert symbol. When you see this symbol on the machine or in this manual, be alert to the potential for personal injury.

Technical manuals are divided in two parts: repair and operation and tests. Repair sections tell how to repair the components. Operation and tests sections help you identify the majority of routine failures quickly.

Information is organized in groups for the various components requiring service instruction. At the beginning of each group are summary listings of all applicable essential tools, service equipment and tools, other materials needed to do the job, service parts kits, specifications, wear tolerances, and torque values.

Technical Manuals are concise guides for specific machines. They are on-the-job guides containing only the vital information needed for diagnosis, analysis, testing, and repair.

Fundamental service information is available from other sources covering basic theory of operation, fundamentals of troubleshooting, general maintenance, and basic type of failures and their causes.

Contents

SECTION 10—GENERAL

- Group 05—Safety
- Group 10—Specifications and Torques
- Group 15—General Information and Tractor Hookup
- Group 20—Lubrication

10

SECTION 20—Power Train

- Group 05—Diagnosing Malfunctions
- Group 10—Reel
- Group 15—PTO Hookup
- Group 20—Slip Clutch
- Group 25—Main Drive and Roll Drive Gear Case
- Group 30—Roll and Roll Drives

20

30

SECTION 30—HYDRAULIC SYSTEM

- Group 05—Diagnosing Malfunctions
- Group 10—Lift Cylinders
- Group 15—Tongue Positioning Cylinder (1209—1219) (425001-)

40

SECTION 40—CUTTING COMPONENTS

- Group 05—Diagnosing Malfunctions
- Group 10—Knife Drive Case
- Group 15—Cutterbars
- Group 20—Knives

50

SECTION 50—SPECIAL TOOLS

- Group 05—Purchased Tools
- Group 10—Fabricated Tools

60

SECTION 60—DOUBLE WINDROW ATTACHMENT

- Group 05—Electrical System
- Group 10—Hydraulic Motor
- Group 15—Electrohydraulic Valves
- Group 20—Table Shift Cylinder
- Group 25—Rolls
- Group 30—Troubleshooting

INDX

Index

All information, illustrations and specifications in this manual are based on the latest information available at the time of publication. The right is reserved to make changes at any time without notice.

TM1284-19-15JAN02

COPYRIGHT© 1992
DEERE & COMPANY
Moline, Illinois
All rights reserved
A John Deere ILLUSTRATION® Manual
Previous Editions
Copyright 1985, 1984, 1982 Deere & Company

<https://www.ebooklibonline.com>

Hello dear friend!

Thank you very much for reading.

Enter the link into your browser.

The full manual is available for immediate download.

<https://www.ebooklibonline.com>

Section 10 GENERAL

10

Contents

Page

Group 05—Safety 10-05-1

Group 10—Specifications and Torques

Specifications 10-10-1

**Group 15—General Information and Tractor
Hookup**

Group 20—Lubrication

Knife Drive Case 10-20-2

Main Drive and Roll Drive Gear Case . . . 10-20-3

Store Lubricants Correctly 10-20-4

Lubrication Services 10-20-4

RECOGNIZE SAFETY INFORMATION

This is the safety-alert symbol. When you see this symbol on your machine or in this manual, be alert to the potential for personal injury.

Follow recommended precautions and safe operating practices.



DX,ALERT -19-04JUN90

10
05
1
T81389 -UN-07DEC88

UNDERSTAND SIGNAL WORDS

A signal word—DANGER, WARNING, or CAUTION—is used with the safety-alert symbol. DANGER identifies the most serious hazards.

DANGER or WARNING safety signs are located near specific hazards. General precautions are listed on CAUTION safety signs. CAUTION also calls attention to safety messages in this manual.



DX,SIGNAL -19-09JAN92

TS187 -19-30SEP88

HANDLE FLUIDS SAFELY—AVOID FIRES

When you work around fuel, do not smoke or work near heaters or other fire hazards.

Store flammable fluids away from fire hazards. Do not incinerate or puncture pressurized containers.

Make sure machine is clean of trash, grease, and debris.

Do not store oily rags; they can ignite and burn spontaneously.



DX,FLAME -19-04JUN90

TS227 -UN-23AUG88

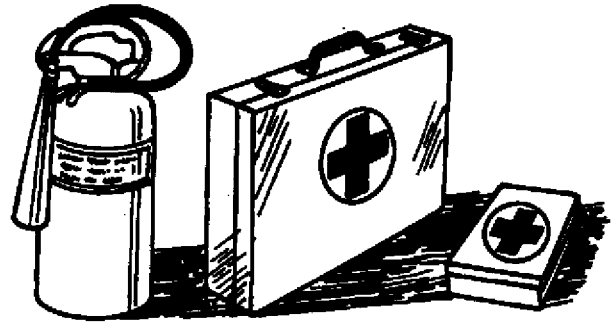
10
05-2

PREPARE FOR EMERGENCIES

Be prepared if a fire starts.

Keep a first aid kit and fire extinguisher handy.

Keep emergency numbers for doctors, ambulance service, hospital, and fire department near your telephone.



DX,FIRE2 -19-04JUN90

TS291 -JUN-23AUG88

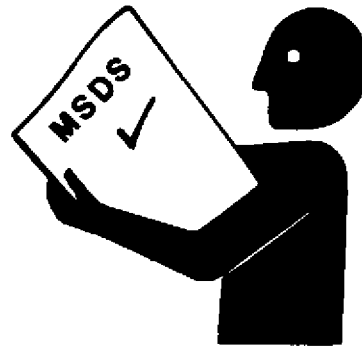
HANDLE CHEMICAL PRODUCTS SAFELY

Direct exposure to hazardous chemicals can cause serious injury. Potentially hazardous chemicals used with John Deere equipment include such items as lubricants, coolants, paints, and adhesives.

A Material Safety Data Sheet (MSDS) provides specific details on chemical products: physical and health hazards, safety procedures, and emergency response techniques.

Check the MSDS before you start any job using a hazardous chemical. That way you will know exactly what the risks are and how to do the job safely. Then follow procedures and recommended equipment.

(See your John Deere dealer for MSDS's on chemical products used with John Deere equipment.)



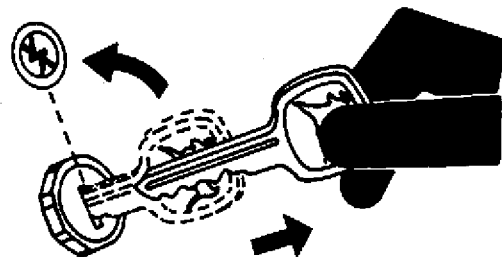
DX,MSDS,NA -19-15MAR91

TS1132 -JUN-26NOV90

PARK MACHINE SAFELY

Before working on the machine:

- Lower all equipment to the ground.
- Stop the engine and remove the key.
- Disconnect the battery ground strap.
- Hang a "DO NOT OPERATE" tag in operator station.



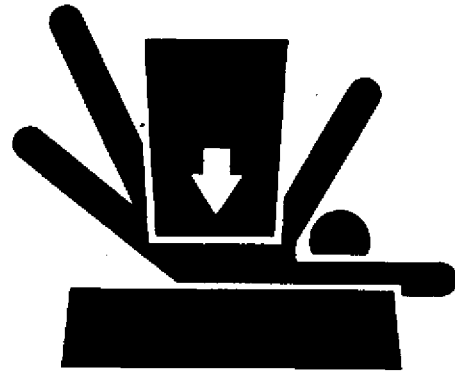
DX,PARK -19-04JUN90

TS230 -JUN-24MAY89

SUPPORT MACHINE PROPERLY

Always lower the attachment or implement to the ground before you work on the machine. If you must work on a lifted machine or attachment, securely support the machine or attachment.

Do not support the machine on cinder blocks, hollow tiles, or props that may crumble under continuous load. Do not work under a machine that is supported solely by a jack. Follow recommended procedures in this manual.



DX,LOWER -19-04JUN90

10
3
95
-JUN-23AUG88
TS229

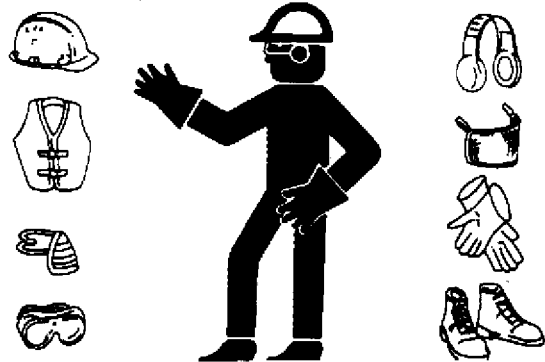
WEAR PROTECTIVE CLOTHING

Wear close fitting clothing and safety equipment appropriate to the job.

Prolonged exposure to loud noise can cause impairment or loss of hearing.

Wear a suitable hearing protective device such as earmuffs or earplugs to protect against objectionable or uncomfortable loud noises.

Operating equipment safely requires the full attention of the operator. Do not wear radio or music headphones while operating machine.



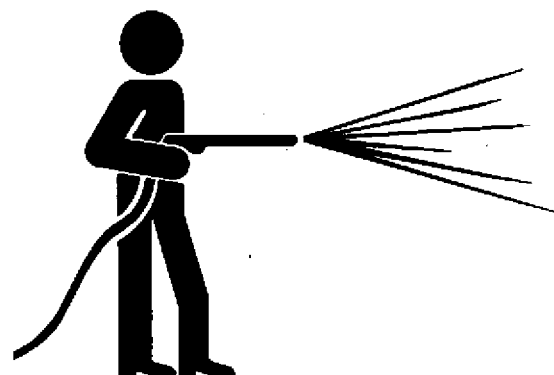
DX,WEAR -19-10SEP90

-JUN-23AUG88
TS206

WORK IN CLEAN AREA

Before starting a job:

- Clean work area and machine.
- Make sure you have all necessary tools to do your job.
- Have the right parts on hand.
- Read all instructions thoroughly; do not attempt shortcuts.



DX,CLEAN -19-04JUN90

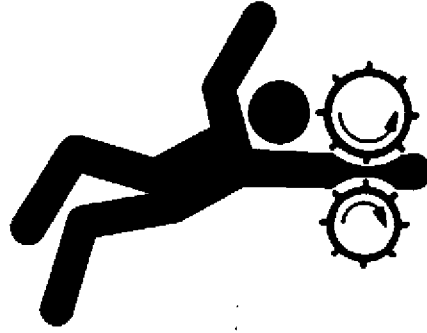
-JUN-18OCT88
T6642EJ

10
05
4

SERVICE MACHINES SAFELY

Tie long hair behind your head. Do not wear a necktie, scarf, loose clothing, or necklace when you work near machine tools or moving parts. If these items were to get caught, severe injury could result.

Remove rings and other jewelry to prevent electrical shorts and entanglement in moving parts.



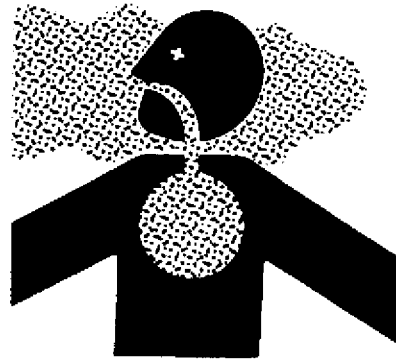
DX, LOOSE -19-04JUN90

TS228 -JUN-23AUG88

WORK IN VENTILATED AREA

Engine exhaust fumes can cause sickness or death. If it is necessary to run an engine in an enclosed area, remove the exhaust fumes from the area with an exhaust pipe extension.

If you do not have an exhaust pipe extension, open the doors and get outside air into the area.



DX, AIR -19-04JUN90

TS220 -JUN-23AUG88

ILLUMINATE WORK AREA SAFELY

Illuminate your work area adequately but safely. Use a portable safety light for working inside or under the machine. Make sure the bulb is enclosed by a wire cage. The hot filament of an accidentally broken bulb can ignite spilled fuel or oil.

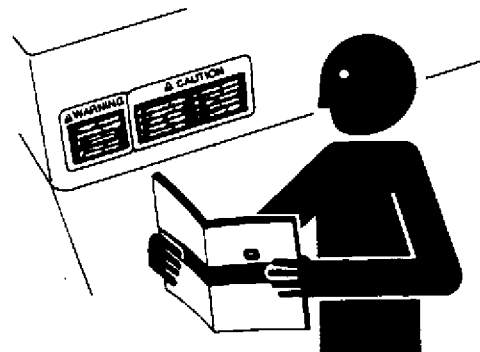


DX, LIGHT -19-04JUN90

TS223 -JUN-23AUG88

REPLACE SAFETY SIGNS

Replace missing or damaged safety signs. See the machine operator's manual for correct safety sign placement.



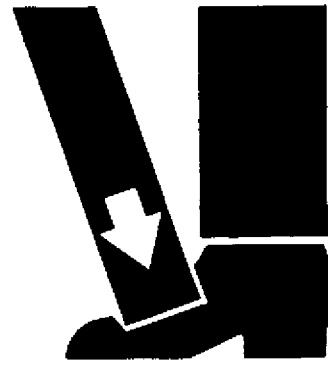
DX, SIGNS1 -19-04JUN90

TS201 -JUN-23AUG88

USE PROPER LIFTING EQUIPMENT

Lifting heavy components incorrectly can cause severe injury or machine damage.

Follow recommended procedure for removal and installation of components in the manual.



DX,LIFT -19-04JUN90

TS226 -JUN-23AUG88

1051

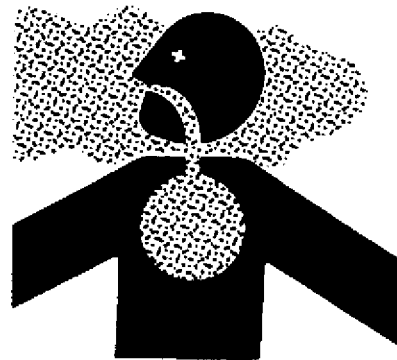
AVOID HARMFUL ASBESTOS DUST

Avoid breathing dust that may be generated when handling components containing asbestos fibers. Inhaled asbestos fibers may cause lung cancer.

Components in products that may contain asbestos fibers are brake pads, brake band and lining assemblies, clutch plates, and some gaskets. The asbestos used in these components is usually found in a resin or sealed in some way. Normal handling is not hazardous as long as airborne dust containing asbestos is not generated.

Avoid creating dust. Never use compressed air for cleaning. Avoid brushing or grinding material containing asbestos. When servicing, wear an approved respirator. A special vacuum cleaner is recommended to clean asbestos. If not available, apply a mist of oil or water on the material containing asbestos.

Keep bystanders away from the area.



DX,DUST -19-15MAR91

TS220 -JUN-23AUG88

AVOID HEATING NEAR PRESSURIZED FLUID LINES

Flammable spray can be generated by heating near pressurized fluid lines, resulting in severe burns to yourself and bystanders. Do not heat by welding, soldering, or using a torch near pressurized fluid lines or other flammable materials. Pressurized lines can be accidentally cut when heat goes beyond the immediate flame area.



DX,TORCH -19-05OCT90

TS953 -JUN-15MAY90

METRIC AND CUSTOMARY DESIGN

Specifications are given in metric with the US-customary equivalent following.

Hardware specifications are given as they were designed in metric or US-customary and can not be converted.

Replace hardware with the same strength and measurement. Never replace metric with customary or customary with metric.

EX,1526,1010,D -19-12JUN92

REPAIR COMPONENTS

Use only John Deere parts when replacing a component.

John Deere repair parts are selected because of fit, quality, and expected service life.

Cross referenced components between manufacturers, and will fit components may not be the quality, or have the service life of the specified John Deere part.

EX,1526,1010,E -19-12JUN92

UNAUTHORIZED MODIFICATIONS

 **CAUTION: Unauthorized modifications may cause machine failure and personal injury.**

Unauthorized modifications may affect the warranty and the service life of the machine.

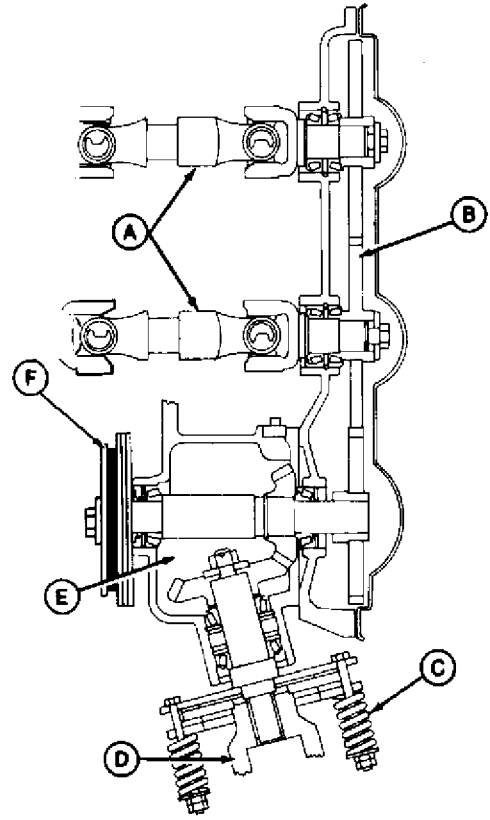
EX,1526,1010,F -19-12JUN92

1510

When servicing the mower-conditioner, pay particular attention to the tractor-mower-conditioner hookup geometry, page 01 and 02.

Power is transmitted from the tractor through the powerline to a 105-degree main drive gear case, which drives the roll drive gear case and the cutterbar drive sheave. A belt from the cutterbar drive sheave drives the cutterbar gear case. The rolls are driven from the roll drive gear case through a series of U-joints. A chain and belt off the right-hand end of the upper roll drives the reel.

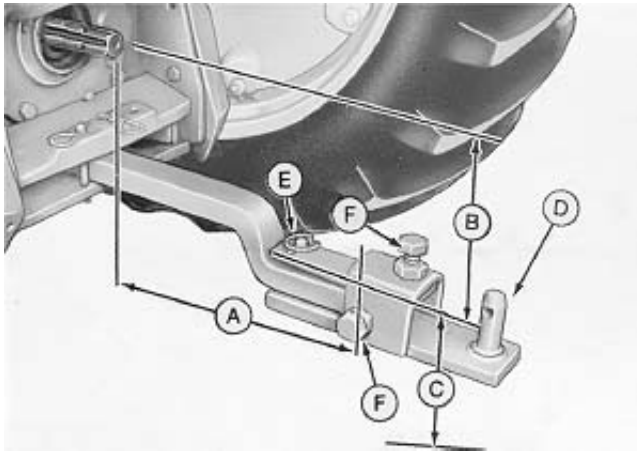
- A—Roll Drive U-Joints
- B—Roll Drive Gear Case
- C—Slip Clutch
- D—Powerline
- E—Main Drive Gear Case
- F—Cutterbar Drive Sheave



Mower-Conditioner Drive Train

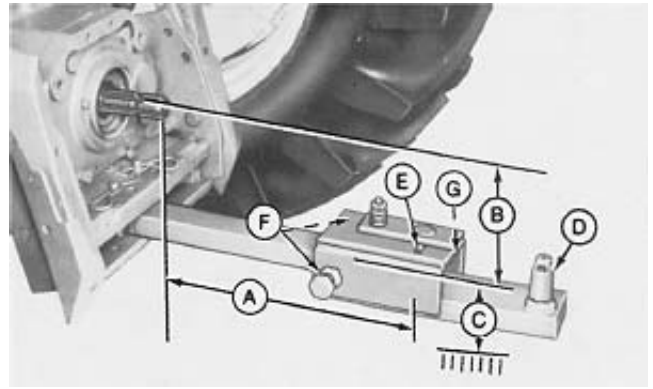
E21478 -UN-10JUL92

EX,1284,1015,A -19-28AUG92



E12817
-JUN-07/JUN89

Hookup Dimensions (-285000)



E21479
-JUN-06/JUL89

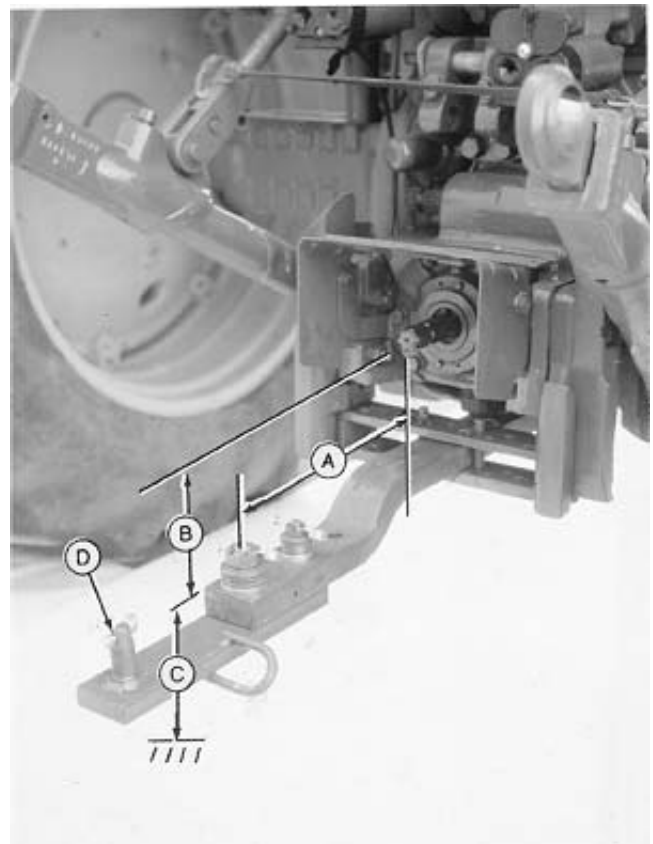
Hookup Dimensions (285000-)

Unequal angles occur if the tractor drawbar is not set for the proper length relative to the PTO operating speed. The tractor hookup U-joints must operate at equal angles whether turning a corner or passing over uneven terrain. If the equal angles are not maintained, the following problems could occur.

1. Premature failure of the powerline components.
2. Excessive noise and vibration.

For basic theory of power transmitted with a tractor PTO hookup, see FOS manual 40—POWER TRAINS.

The proper equal angle hitch hookup dimension (for 540 rpm) is illustrated.



E26185
-JUN-04/OCT89

Hookup Dimensions (710001-)

- A—356 mm (14 in.)
- B—152-305 mm (6 to 12-in.)
- C—330-432 mm (13 to 17 in.)
- D—Equalizer Hitch
- E—Quick-Lock Pin
- F—Adjusting Bolt
- A—356 mm (14 in.) 540 rpm
- 406 mm (16 in.) 1000 rpm
- B—152-305 mm (6 to 12-in.)
- C—330-432 mm (13 to 17 in.)
- D—Equal Angle Hitch
- E—Hitch Pin
- F—Adjusting Bolts
- G—Shims
- A—356 mm (14 in.) 540 rpm
- 406 mm (16 in.) 1000 rpm
- B—152-305 mm (6-12 in.)
- C—330-508 mm (13-20 in.) to ground
- D—Equal Angle Hitch (710001-)

GREASE

Use grease based on the expected air temperature range during the service interval.

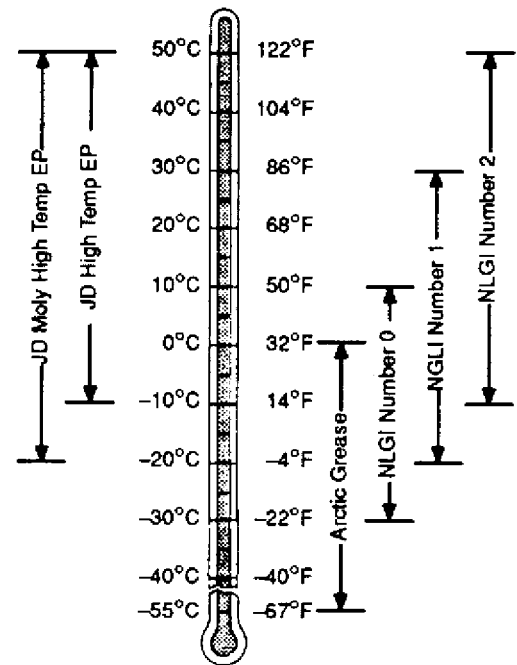
The following greases are preferred:

- John Deere MOLY HIGH TEMPERATURE EP GREASE
- John Deere HIGH TEMPERATURE EP GREASE
- John Deere GREASE-GARD™

Other greases may be used if they meet one of the following:

- SAE Multipurpose EP Grease with a maximum of 5% molybdenum disulfide
- SAE Multipurpose EP Grease

Greases meeting Military Specification MIL-G-10924F may be used as arctic grease.



DX,GREA1 -19-11JUN92

10
20
1

TS1417 -UN-29MAY92

Use oil viscosity based on the expected air temperature range during the period between oil changes.

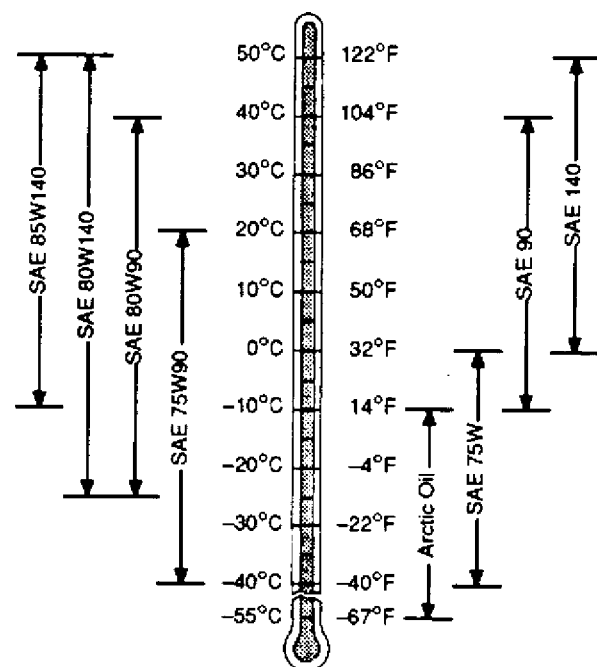
The following oils are preferred:

- John Deere EXTREME-GARD™
- John Deere GL-5 GEAR LUBRICANT

Other oils may be used if they meet the following:

- API Service Classification GL-5

Oils meeting Military Specification MIL-L-10324A may be used as arctic oils.



DX,GEOIL -19-11JUN92

TS1416 -UN-29MAY92

KNIFE DRIVE CASE

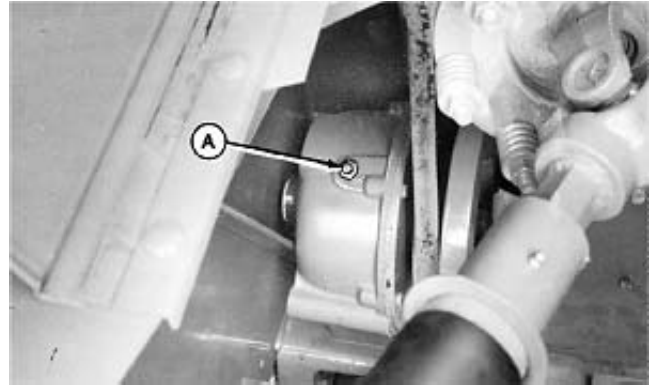
Fill the drive case to 64 to 89 mm (2-1/2 to 3-1/2 inches) below fill plug (A) with SAE 85-140 API-GL5 Gear Lubricant.

IMPORTANT: Overfilling can cause leakage, overheating and contribute to internal damage. Fill no higher than 64 to 89 mm (2-1/2 to 3-1/2 inches) below fill plug.

John Deere SAE 85W140 API-GL5 Gear Oils are recommended. If other oils are used, they must meet performance requirements of:

- API Service Classification GL-5
- Military Specification MIL-L-2105C

Knife drive case capacity is .946 L (one qt.).



E21480
-JUN-10JUL92

EX,1284,1020,A -19-28AUG92

MAIN DRIVE AND ROLL DRIVE GEAR CASE

(-285000)

Check oil level (C) of roll drive gear case (A) each season. Fill (A) to approx. 1/3 full (1.3 L) (45 ounces) (C) with John Deere Corn Head Lubricant or an equivalent type "0" (zero) extreme pressure lubricant. (Capacity: approximately 1.4 L) (3 U.S. pints).

To drain, if necessary:

1. Remove 15 cap screws, [washers 1207 (-285000)] and cover (D).
2. Straighten any recessions in cover caused by cap screws.
3. Clean both surfaces of gasket compound and oil.
4. Place 3 mm (1/8 in.) bead of new gasket material on gear case surface.
5. Torque cover to 34 N·m (25 lb-ft).
6. Fill as described above.

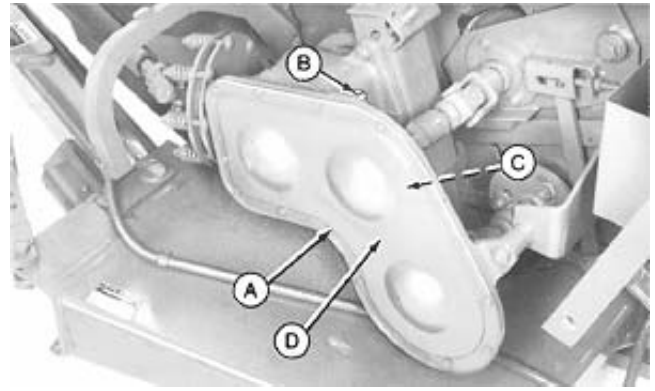
(285001-)

The reservoir between the main gear case and the roll drive gear case is common.

Check oil level (C) of roll drive gear case (A) each season. Fill (A) to check plug level (C) with SAE 85-140 API-GL5 Gear Lubricant. (Capacity: approximately 3.8 L) (1 gal).

To drain, if necessary:

1. Remove 15 cap screws and cover (D).
2. Straighten any recessions in cover caused by cap screws.
3. Clean both surfaces of gasket compound and oil.
4. Place 3 mm (1/8 in.) bead of new gasket material on gear case surface.
5. Torque cover to 34 N·m (25 lb-ft).
6. Fill as described above.



1219 Illustrated

A—Roll Drive Gear Case
B—Fill Plug
C—Check Plug Level
D—Cover

10
20
3
-JUN-10JUL92
E21481

LUBRICANT STORAGE

Your equipment can operate at top efficiency only if clean lubricants are used.

Use clean containers to handle all lubricants.

Whenever possible, store lubricants and containers in an area protected from dust, moisture, and other contamination. Store containers on their side to avoid water and dirt accumulation.

DX,LUBST -19-11JUN92

LUBRICATION SERVICES

COMPONENT	CAPACITY	LUBRICANT*	SERVICE ITEM	INTERVAL** (HOURS)
Knife Drive Case	.946 L (1 Qt.)	85-140 API-GL5	Check	250
Roll Drive Gear Case: (-285000)	1.4 L (3 pints)	John Deere Corn Head Lubricant or equivalent type "0" (zero)	Check	250
(285001-)	3.8 L (1 gal)	85-140 API-GL5	Check	250
Tongue		Grease	Brush	As required
Hitch		Grease	Brush	As required
Reel Drive Chain		Oil	Lubricate	As required
Rope Control Positioner (285001-)		Oil	Lubricate	As required
Grease Fittings				
Reel Ends***		Grease	Lubricate	10
Knife Head		Grease	Lubricate	10
Roll Pressure Bellcrank***		Grease	Lubricate	10
Vibration Dampener		Grease	Lubricate	10
Roll Drives		Grease	Lubricate	50
PTO Powr-Gard		Grease	Lubricate	50
Gear Case Input Shaft		Grease	Lubricate	50
Wheel Bearings		Multi-purpose type	Pack	250

* See previous pages for lubricant specifications

** This is not break-in service hours. See operator's manual.

*** Lubricate both sides.

EX,1284,1020,C -19-28AUG92

Section 20 Power Train

Contents

	Page	Page
Group 05—Diagnosing Malfunctions		
Diagnosing Malfunctions	20-05-1	
Group 10—Reel		
Specifications	20-10-1	
Reel		
Remove	20-10-1	
Inspect	20-10-4	
Install	20-10-4	
Replace Reel Teeth	20-10-5	
Tooth Bar		
Remove	20-10-7	
Inspect	20-10-7	
Assemble	20-10-8	
Install	20-10-13	
Replace Cam Follower Bearing	20-10-14	
Multi—Bat Conversion		
5 Bat Reel	20-10-14	
6 Bat Reel	20-10-15	
Adjust		
Cam Followers (all machines)	20-10-16	
Reel Cam (1207—1217)	20-10-17	
Reel Cam (1209—1219)	20-10-17	
Reel Horizontally (1209—1219)	20-10-18	
Reel Vertically (1207—1217)	20-10-18	
Reel Vertically (1209—1219)	20-10-19	
Reel Drive Belt (1207—1217)	20-10-20	
Reel Drive Belt (1209—1219)	20-10-21	
Reel Drive Chain (all machines)	20-10-21	
Tooth Bar (all machines)	20-10-22	
Group 15—PTO Hookup		
PTO Hookup (POWR—GARD®)		
General Information	20-15-1	
Remove	20-15-1	
Disassemble	20-15-2	
Inspect	20-15-4	
Assemble	20-15-5	
Install	20-15-7	
PTO Hookup (Slip Collar)		
General Information	20-15-8	
Remove	20-15-9	
Disassemble	20-15-9	
Inspect	20-15-11	
PTO Hookup (Slip Collar)—Continued		
Assemble	20-15-12	
Install	20-15-16	
Group 20—Slip Clutch		
Slip Clutch		
Remove	20-20-1	
Inspect	20-20-2	
Assemble	20-20-2	
Adjust Slip Clutch	20-20-4	
Group 25—Main Drive and Roll Drive Gear Case		
Special Tools	20-25-1	
Specifications	20-25-1	
General Information	20-25-2	
Main Drive and Roll Drive Gear Case		
Remove	20-25-2	
Disassemble	20-25-3	
Inspect	20-25-7	
Assemble	20-25-8	
Install	20-25-14	
Convert to 1000 RPM (1209—1219)	20-25-16	
Check Gearcase Backlash	20-25-23	
Group 30—Roll and Roll Drives		
Specifications	20-30-1	
Special Tools	20-30-1	
General Information	20-30-2	
Roll and Roll Drives		
Inspect	20-30-2	
Remove	20-30-3	
Assemble Roll Drives	20-30-6	
Assemble Rolls	20-30-8	
Install	20-30-10	
Adjust		
Platform Float (all machines)	20-30-12	
Rolls Horizontally (1207—1209)	20-30-13	
Rolls Horizontally (1217—1219)	20-30-13	
Roll Spacing (1207)	20-30-14	
Roll Spacing (1209) (-285000)	20-30-14	
Roll Spacing (1209) (285001-)	20-30-15	
Roll Spacing (1217—1219)	20-30-15	

Continued on next page

Page

Adjust—Continued

Roll Pressure (1207—1217)	20-30-17
Roll Pressure (1209—1219) (285001-)	20-30-18
Time Rolls (1207)	20-30-19
Time Rolls (1217—1219)	20-30-20
Reel Drive Chain	20-30-20
Tighten Bearing Locking Collars	20-30-21

20

DIAGNOSING MALFUNCTIONS

Symptom	Problem	Solution
Poorly Formed or Bunchy Windrows	Reel speed too slow	Speed up reel
	Improper windrowing shield adjustment	Readjust windrowing shields so material flows along the sides of the shields
	Swath flap down	Adjust flap up
	Improper PTO speed	Correct PTO speed
	Cam set for late tooth release	Adjust cam
Excessive Noise	Improper hitching	Re-hitch
	Rolls too close	Space rolls
	Rolls out of time	Retime rolls
	Knife or guards bent	Straight knife and reset guards
	Knife section too long (protrudes)	Straighten knife and/or grind tip of section
Leaf Damage or Leaf Loss	Reel speed too fast	Reduce reel speed
	Roll spacing too close	Space rolls
	Over-conditioning	Increase roll spacing or decrease roll pressure
Stems Shredding	Roll pressure too high	Decrease roll spacing
	Improper roll spacing or pressure	Increase roll spacing or decrease roll pressure
Rolls Plugging	Foreign objects between rolls	Disengage tractor PTO and stop engine. When all moving parts are completely stopped, remove foreign objects
Roll Drive Gear Case Noisy	Lack of lubricant	Check and maintain correct level of oil
	Loose bearings	
	Gears not meshing properly	Replace
		Improper tooth contact of gears
	Excessive backlash	Incorrect torque on gears
	Gears binding	Check gear torque and backlash

Continued on next page

20
05
1

Symptom	Problem	Solution
Roll Drive Gear Case Excessively Hot	Roll timing or springs out of adjustment	Adjust
	Roll drive "U" joints out of phase	Check for correct phasing
	Lack of lubricant	Check and maintain correct level of oil
	Gears binding	Check gear torque and backlash
	Defective bearings	Replace
Leaking Oil	Improperly installed bearing cups	Check for correct installation
	Defective oil seals	Check and replace
	Defective gasket, shims, or breather	Check and replace
	Worn adjusting nut or input shaft	Replace nut, check input shaft
	Too much lubricant in gear case	Drain to correct level. Overfilling can severely damage gear case
	Hardware not properly torqued	Refer to torque chart when specific torques are not called out
	Defective shims on input shaft	Replace
	Using wrong viscosity oil in gear	Drain and discard oil. Refill with correct oil.

NOTE: A slight loss of oil (-160000) or grease (160001-) at the front breather is not abnormal during the first 50 hours of operation.

EX,1284,2005,A -19-28AUG92

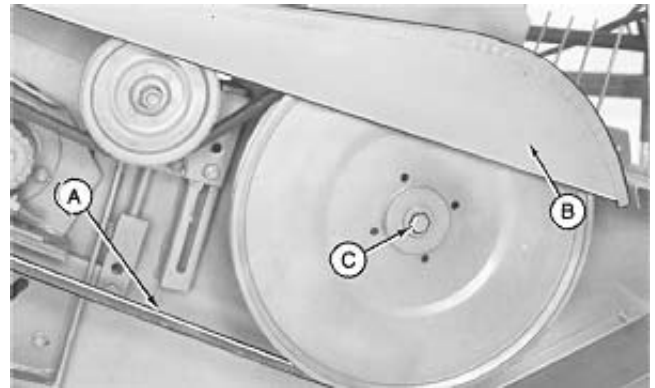
SPECIFICATIONS

Item	Measurement	Specifications
Reel Shaft	End Play	0.79 mm (1/32-in.)
Reel Assembly	Vertical Height (Tooth to Ground)	8 mm (5/16-in.)
Reel Cam Follower	Follower Arm to Bracket	3 mm (1/8-in.)
Reel Drive Belt	Deflection	Parallel to reel idler arm
Reel Drive Chain	Deflection	3 mm (1/8-in.)

EX,2010,ZK -19-28AUG92

REEL REMOVAL

1. Remove tension in reel drive belt (A).
2. (1209—1219) Remove carriage bolt, loosen two cap screws and remove shield (B).
3. Remove cap screw (C), washer and sheave.

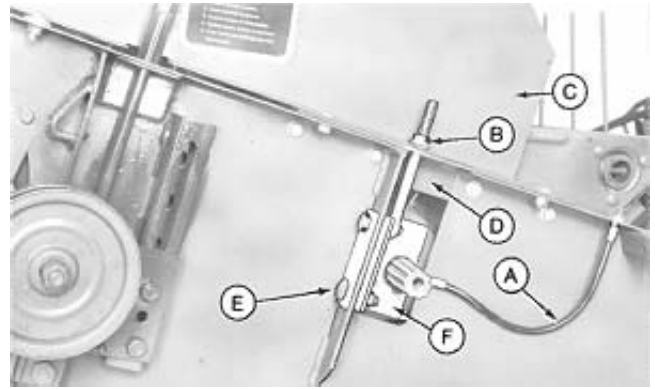


20
10
1

-JUN-10JUL92
E21482

EX,2010,ZL -19-28AUG92

4. (1209—1219) Remove lubrication line (A).
5. (1209—1219) Remove reel adjusting nut (B) and washer.
6. (1209—1219) Remove two carriage bolts and nuts, washer and shield (C).
7. Remove five carriage bolts and nuts (four carriage bolts and nuts 1207—1217) and side sheet reinforcement (D).
8. Attach hoist to reel.
9. Remove cap screw (adjusting eyebolt 1209—1219), cap screw and nut (E).
10. Remove reel mounting (F) and bearing.

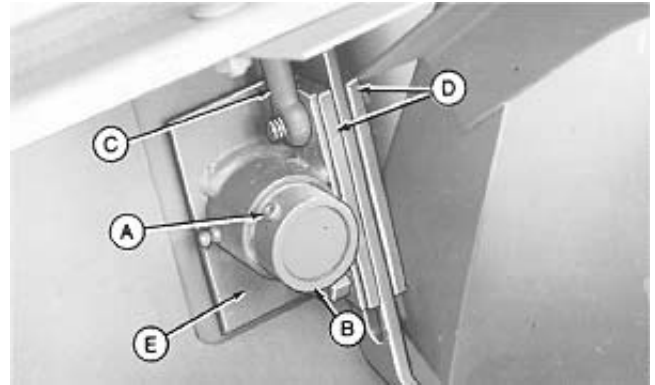


A—Lubrication Line
B—Reel Adjusting Nut
C—Shield
D—Side Sheet Reinforcement
E—Cap Screw and Nut
F—Reel Mounting

E21483 -JUN-10JUL92

EX.2010.ZM -19-28AUG92

11. (1209—1219) Remove spring pin (A).
12. (1209—1219) Remove reel collar (B) and washers.
13. (1209—1219) Loosen eyebolt (C) and remove upper cap screw.
14. (1209—1219) Remove cap screw, nut and spacers (D).
15. (1209—1219) Remove reel mounting (E).

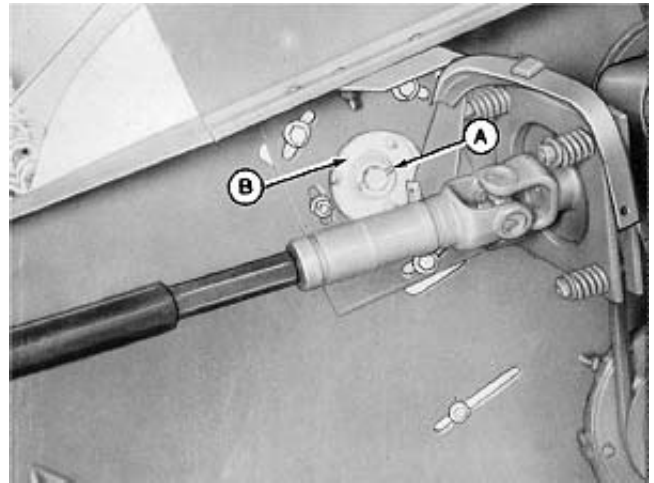


A—Spring Pin
B—Reel Collar
C—Eyebolt
D—Spacers
E—Reel Mounting

E21484 -JUN-10JUL92

EX.2010.ZN -19-28AUG92

16. (1207—1217) Remove spring pin (A).
17. Remove carriage bolts, nuts and left-hand bearing (B).



E21485
-JUN-10JUL92
20
10
3

EX,2010,ZO -19-28AUG92

18. Remove spacer washers.
- NOTE: Record amount of washers removed. These are needed for alignment during assembly.*
19. Carefully raise and remove reel, leaving reel cam in place.



E21486
-JUN-10JUL92

EX,2010,ZP -19-28AUG92



Suggest:

If the above button click is invalid.

Please download this document

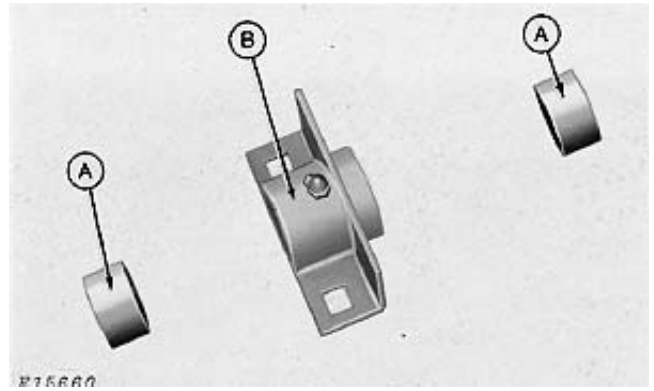
first, and then click the above link

to download the complete manual.

Thank you so much for reading

INSPECT REEL

1. Check reel mounting (B) and bushings (A) and if signs of wear are evident, press and replace.
2. Check cam follower bearings.
3. Inspect all remaining parts for damage or excessive wear.
4. Check reel drive belt for fraying.

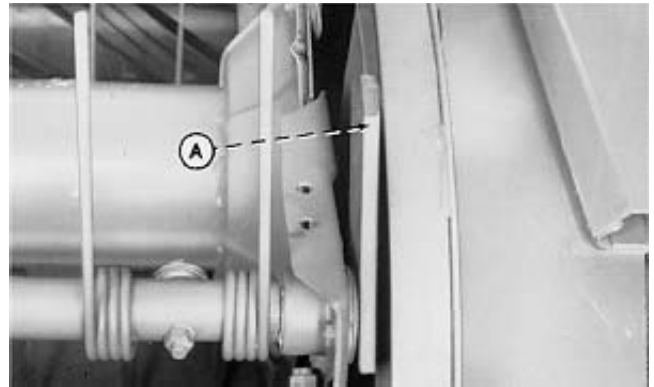


EX,2010,ZQ -19-28AUG92

E15660
-JUN-07/JUN89

INSTALL REEL

1. Install reel and engage cam followers (A) into cam in the "following" position.



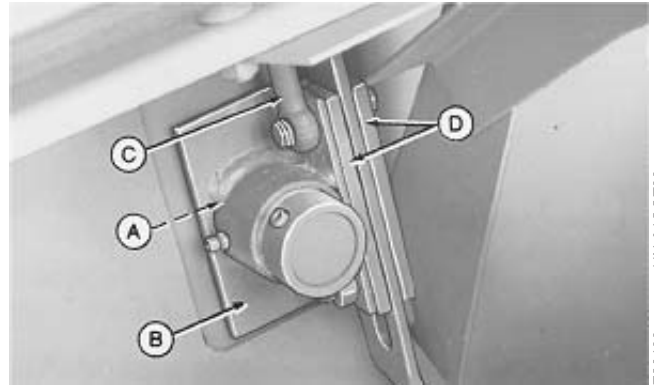
E05,2010,Y -19-28AUG92

E21487
-JUN-06/JUL89

2. Place spacer washers (A) on reel shaft.

NOTE: Install the same amount of washers removed during disassembly.

3. (1209—1219) Attach reel mounting (B), eyebolt (C), spacers (D) and secure using carriage bolt, nut and cap screw.

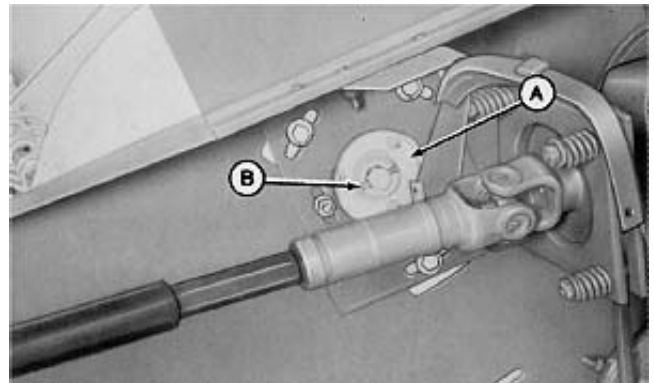


E05,2010,Z -19-28AUG92

E26433
-JUN-04/OCT89

4. (1207—1217) Install left-hand bearing (A) and secure using carriage bolts and nuts.

5. (1207—1217) Install spring pin (B).



E05,2010,AA -19-28AUG92

E21489
-JUN-06/JUL89

<https://www.ebooklibonline.com>

Hello dear friend!

Thank you very much for reading.

Enter the link into your browser.

The full manual is available for immediate download.

<https://www.ebooklibonline.com>