

**762B Scraper
(S.N. —791763)
862B Scraper
(S.N. —793082)
Repair**

For complete service information also see:

762B and 862B Scrapers	
Operation and Tests	TM1489
Fuel Injection Equipment—	
Robert Bosch	TM1215
6466 Engine	CTM1
6619 Engine	CTM9
Radial Piston Pumps	CTM7
Alternators and Starting Motors	CTM77

**John Deere Dubuque Works
TM1490 (09FEB99)**

LITHO IN U.S.A.
ENGLISH

JOHN DEERE DEALERS

IMPORTANT: Please remove this page and route through your service department.

This manual TM1490 supercedes TM1378, 762B and 862B Scraper.

This is a complete revision for TM1378, 762B and 862B Scraper.

Binder from old manual may be saved and used with these bound manuals.

The new pages are dated (Jan-95). Listed below is a brief explanation of "WHAT" was changed and "WHY" it was changed.

This manual was revised:

1. To include repair stories for bowl, sliding floor, and ejector gate cylinders.
2. To include the updated elevator control lever and linkage. Also includes component location drawings for revised plumbing.
3. To include an electrical test for transmission controls.

TX,BC,265 -19-05JAN96

HANDLE FLUIDS SAFELY—AVOID FIRES

When you work around fuel, do not smoke or work near heaters or other fire hazards.

Store flammable fluids away from fire hazards. Do not incinerate or puncture pressurized containers.

Make sure machine is clean of trash, grease, and debris.

Do not store oily rags; they can ignite and burn spontaneously.



DX,FLAME -19-29SEP98

0001
1
-JUN-23AUG88
TS227

PREVENT BATTERY EXPLOSIONS

Keep sparks, lighted matches, and open flame away from the top of battery. Battery gas can explode.

Never check battery charge by placing a metal object across the posts. Use a volt-meter or hydrometer.

Do not charge a frozen battery; it may explode. Warm battery to 16°C (60°F).



DX,SPARKS -19-03MAR93

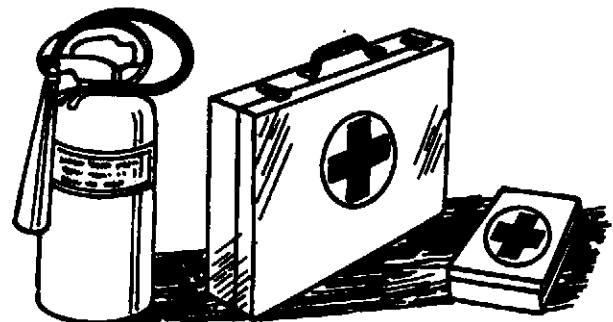
-JUN-23AUG88
TS204

PREPARE FOR EMERGENCIES

Be prepared if a fire starts.

Keep a first aid kit and fire extinguisher handy.

Keep emergency numbers for doctors, ambulance service, hospital, and fire department near your telephone.



DX,FIRE2 -19-03MAR93

-JUN-23AUG88
TS291

<https://www.ebooklibonline.com>

Hello dear friend!

Thank you very much for reading.

Enter the link into your browser.

The full manual is available for immediate download.

<https://www.ebooklibonline.com>

PREVENT ACID BURNS

Sulfuric acid in battery electrolyte is poisonous. It is strong enough to burn skin, eat holes in clothing, and cause blindness if splashed into eyes.

Avoid the hazard by:

1. Filling batteries in a well-ventilated area.
2. Wearing eye protection and rubber gloves.
3. Avoiding breathing fumes when electrolyte is added.
4. Avoiding spilling or dripping electrolyte.
5. Use proper jump start procedure.

If you spill acid on yourself:

1. Flush your skin with water.
2. Apply baking soda or lime to help neutralize the acid.
3. Flush your eyes with water for 15—30 minutes. Get medical attention immediately.

If acid is swallowed:

1. Do not induce vomiting.
2. Drink large amounts of water or milk, but do not exceed 2 L (2 quarts).
3. Get medical attention immediately.



TS203 -JUN-23AUG88

DX,POISON -19-21APR93

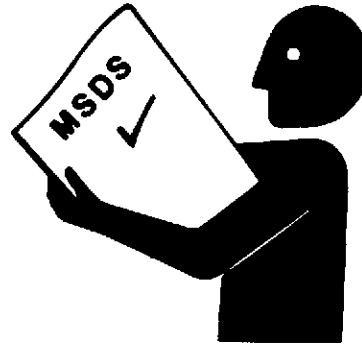
HANDLE CHEMICAL PRODUCTS SAFELY

Direct exposure to hazardous chemicals can cause serious injury. Potentially hazardous chemicals used with your machine include such items as lubricants, coolants, paints, and adhesives.

A Material Safety Data Sheet (MSDS) provides specific details on chemical products: physical and health hazards, safety procedures, and emergency response techniques.

Check the MSDS before you start any job using a hazardous chemical. That way you will know exactly what the risks are and how to do the job safely. Then follow procedures and recommended equipment.

See your authorized dealer for MSDS's on chemical products used with your machine.



TX,05,DH2500 -19-02OCT92

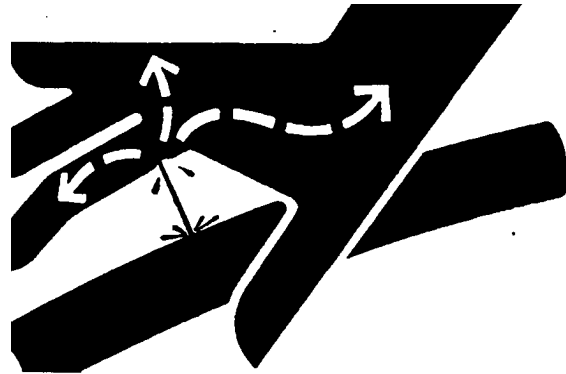
AVOID HIGH-PRESSURE FLUIDS

Escaping fluid under pressure can penetrate the skin causing serious injury.

Avoid the hazard by relieving pressure before disconnecting hydraulic or other lines. Tighten all connections before applying pressure.

Search for leaks with a piece of cardboard. Protect hands and body from high pressure fluids.


If an accident occurs, see a doctor immediately. Any fluid injected into the skin must be surgically removed within a few hours or gangrene may result. Doctors unfamiliar with this type of injury should reference a knowledgeable medical source. Such information is available from Deere & Company Medical Department in Moline, Illinois, U.S.A.



DX,FLUID -19-03MAR93


NOTE: The tire can be removed without removing the wheel from the scraper.

See John Deere Off-The-Road Tire Maintenance Manual to remove tire from wheel.

 **CAUTION: Failure to follow proper procedures when demounting a tire from a wheel or rim can produce an explosion which may result in serious bodily injury. DO NOT attempt to demount a tire unless you have the proper equipment and experience to perform the job safely. Have it done by a qualified tire repair service.**

1. Before attempting any demounting operation, always completely deflate tire by removing valve core from valve. Check the valve stem by running a probe through it, making sure the valve stem is not plugged. Remove valve nut.

2. Inspect all parts for damage; replace parts as necessary.

 **CAUTION: Failure to follow proper procedures when mounting a tire on a wheel or rim, can produce an explosion which may result in serious bodily injury. DO NOT attempt to mount a tire unless you have the proper equipment and experience to perform the job safely. Have it done by a qualified tire repair service.**

NOTE: See John Deere Off-The-Road Tire Maintenance Manual to mount tire on wheel.


3. Make sure all parts are clean and free from rust or grease before assembly.

4. To prevent slipping of the wheel under load, the inside and outside of wheel must be free of paint,

rust, oil, grease, dirt or other foreign material before installation.

5. Install valve stem in rim base and tighten valve core housing finger tight.

6. Put John Deere non-soap lubricating grease, or an equivalent, on threads of pipe cap.

 **CAUTION: Serious bodily injury can occur from explosion when mounting and inflating tires if safe procedures are not followed.**

7. Before mounting tire on rim, add soap lubricant to beads of the tire and O-ring.

8. Before inflating tire, make sure the bead seat ring fits tight against the base all around the circumference.

9. Clear the area of all persons.

10. Use a pressure-regulating valve with clip-on chuck and extension hose long enough to allow you to stand well to one side and NOT in front of the assembly while inflating.

11. Use only recommended air pressure. Pressure over this limit can cause explosion.

12. Add air until side flange of tire slides out against the bead seat ring.

13. Before completely inflating tire, again make certain the bead seat ring is in its proper groove completely around the rim.

14. Check air pressure in all tires with an accurate gauge having 7 kPa (0.1 bar) (1 psi) graduations. Be sure that tire pressures are equal for all four tires.

TIRE INFLATION CHART

Tire Size	Pressure
23.5 x 25	380 kPa (3.8 bar) (55 psi)
26.5 x 25 22 PR E2	276 kPa (2.8 bar) (40 psi)
26.5 x 25 (all others)	380 kPa (3.8 bar) (55 psi)
26.5 x 29	350 kPa (3.5 bar) (50 psi)
29.5 x 25 (radials)	310 kPa (3.1 bar) (45 psi)
29.5 x 25 22 PR	276 kpa (2.8 bar) (40 psi)

NOTE: Tire inflation pressure give on this chart are recommendations only and do not include all working conditions. For further details, see tire manufacturing specifications.

T47,0110,K8 -19-05SEP95

0110
6

SPECIAL OR ESSENTIAL TOOLS

NOTE: Order tools according to information given in the U.S. SERVICEGARD™ Catalog or in the European Microfiche Tool Catalog (MTC).

DX,TOOLS -19-20JUL95

Suspension Axle Bushing Kit	JDG898
Bushing Installer	JDG898-1
Bushing Receiver	JDG898-2
Spacer	JDG898-3
Bushing Remover	JDG898-4
Forcing Screw	JDG898-5
Special Nut	JDG898-6

To remove and install suspension axle frame end bushings.

JDG898 -19-25AUG94

0200
1

SERVICE EQUIPMENT AND TOOLS

NOTE: Order tools from your SERVICE-GARD™ Catalog. Some tools may be available from a local supplier.

Name	Use
Low Lift Transmission Jack	To remove and install suspension axle assembly.
110 mm Disk	To remove suspension axle frame bushing sleeve.
27 t (30-Ton) Hydraulic Ram	To remove and install bushings in suspension axle frame ends.
*JT38053 Alignment Tool	To check differential drive shaft alignment.

**Fabricated tool, dealer made. (See Section 99 for instructions to make tool.)*

T47,0200,C4 -19-25AUG94

SPECIFICATIONS

Item	Measurement	Specification
762B:		
Axle Housing-to-Differential Case Cap Screws	Torque	338 N·m (250 lb-ft)
Differential-to-Frame Nuts	Torque	945 N·m (685 lb-ft)
Drive Shaft Cap Screws	Torque	163 N·m (120 lb-ft)
Axle and Differential	Weight	934 kg (2059 lb)
Axle	Weight	271 kg (598 lb)
862B:		
Axle Housing-to-Differential Case Cap Screws	Torque	338 N·m (250 lb-ft)
Suspension Axle Frame Bushings	Installed Distance Between Inner Sleeve of Bushings	894 ± 1.5 mm (35.19 ± 0.06 in.)
Stabilizer Bar Outer Race	Distance Below Surface	3.3 ± 0.51 mm (0.13 ± 0.02 in.)
Suspension Axle Frame-to-Axle Nuts (for 559 mm [22 in.] bolts) (8 used)	Torque	271 N·m (200 lb-ft) Continue tightening 5 Flats
Suspension Axle Frame-to-Axle Nuts (for 356 mm [14 in.] bolts) (4 used)	Torque	136 N·m (100 lb-ft) Continue tightening 4 Flats
Suspension Axle Cylinders	Extension Height	102 ± 12 mm (4.0 ± 0.5 in.)
Differential-to-Frame Nuts	Torque	14 214 N·m (1030 lb-ft)
Drive Shaft Cap Screws	Torque	102 N·m (75 lb-ft)
Axle and Differential (Non-Suspension)	Weight	1381 kg (3044 lb)
Axle and Differential (Suspension)	Weight	1641 kg (3617 lb)
Axle	Weight	377 kg (831 lb)

TX,0200,DW659 -19-25SEP95

REMOVE AND INSTALL AXLE (NON-SUSPENSION) AND DIFFERENTIAL

NOTE: Axle housing and differential must be removed as an assembly.

Remove bottom guard.

Drain differential.

Oil Capacity Specification

762B	21.8 L (5.8 gal)
872B	32 L (8.5 gal)

Remove wheels. (See Group 0110.)

Disconnect drive shaft (F).

Disconnect park brake cable (A).

Disconnect lines (B—E).



CAUTION:

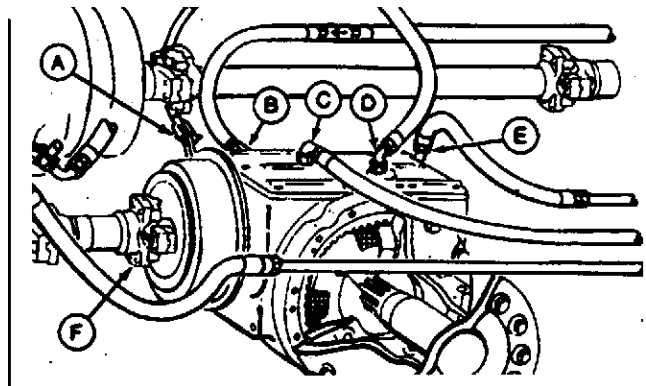
762B:

Axle and differential assembly weighs approximately 934 kg (2059 lb).

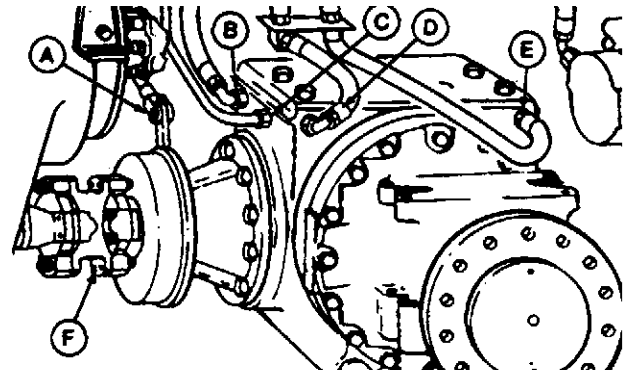
862B:

Axle and differential assembly weighs approximately 1381 kg (3044 lb).

Connect differential-axle assembly to a hoist. Remove six mounting cap screws from each side.



762B Shown



862B Shown

- A—Park Brake Cable
- B—From Differential Lock Valve
- C—From Differential Oil Cooler
- D—To Axle Filter
- E—From Brake Valve
- F—Drive Shaft
- A—Park Brake Cable
- B—To Differential Lock Valve
- C—From Axle Filter
- D—From Differential Lock Valve
- E—From Brake Valve
- F—Drive Shaft

T47,0200,C5 -19-05SEP95

T6416BD -JUN-18NOV89

T6416BE -JUN-19MAY89

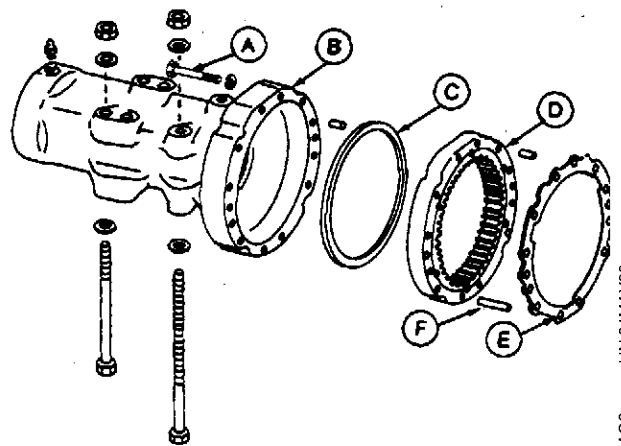
0200
3



CAUTION:

762B:
Axle housing weighs approximately 271 kg (598 lb).

862B:
Axle housing weighs approximately 377 kg (831 lb).



762B Shown

- A—Cap Screw (12 used)
- B—Axle Housing
- C—Packing
- D—Spacer with Gear
- E—Gasket
- F—Dowel Pin
(3 used) (762B)
(1 used) (862B)

T47,0200,C6 -19-04NOV87

0200
4

Remove cap screws (A) to remove axle housing. DO NOT let brake backing plate and disk fall.

NOTE: Use a new gasket (E) when assembling axle.

Install dowel pins (F) with small end out, in axle housing.

Assemble axle housing (B) and parts shown to differential case. Make sure brake disk and backing plate stay in place in differential.

Install two cap screws (A) finger tight. Check to make sure axle shaft turns. If it does not, brake disk is assembled incorrectly.

T6402AQ2 -JUN24MAY89

Install differential assembly and mounting cap screws. Tighten cap screws.

AXLE AND DIFFERENTIAL TORQUE SPECIFICATIONS

762B:
Axle housing-to-differential case cap screws 338 N·m (250 lb-ft)
Differential-to-frame nuts 945 N·m (685 lb-ft)
Drive shaft cap screws 163 N·m (120 lb-ft)

862B:
Axle housing-to-differential case cap screws 338 N·m (250 lb-ft)
Differential-to-frame nuts 14 214 N·m (1030 lb-ft)
Drive shaft cap screws 102 N·m (75 lb-ft)

Connect lines, park brake cable, and drive shaft. Tighten drive shaft cap screws.

Fill with correct oil.

Install wheels and bottom guard.

T47,0200,C7 -19-05SEP95

REMOVE SUSPENSION AXLE AND DIFFERENTIAL—862B

NOTE: Suspension axle and differential must be removed as an assembly.

Position two blocks of wood in front of oscillation hitch to prevent scraper from turning.

Raise machine using suspension or bowl hydraulics.
Block machine securely under engine frame.

NOTE: Suspension cylinders rely on weight of machine to retract. Cylinders can be manually retracted by pushing leveling valve spool up.

CAUTION: Suspension axle and differential assembly weighs approximately 1641 kg (3617 lb).

Install a low lift transmission jack under differential.

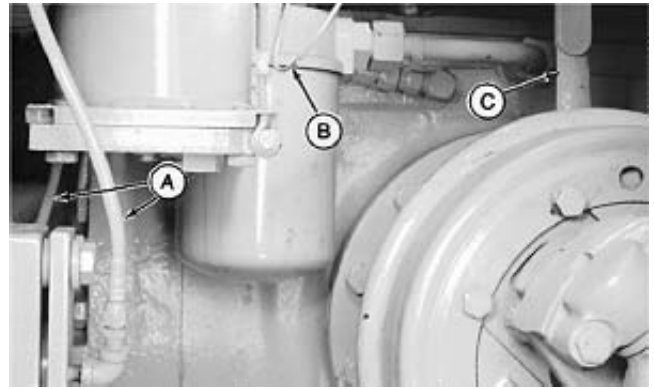
Remove wheels. (See Group 0110.)

If differential is to be removed from axle, drain oil from differential. Capacity is approximately 32 L (8.5 gal).

Disconnect axle filter restriction indicator wire (B) from filter housing.

Disconnect two grease lines (A) from both sides of machine.

Disconnect park brake cable lever (C).

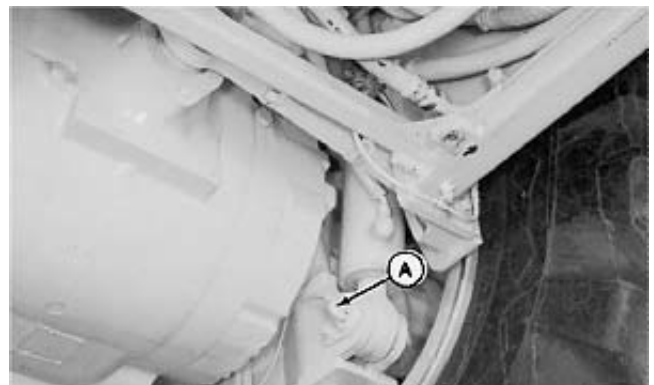


T6409AU -JUN-05APR90

0200

T47,0200,C8 -19-05SEP95

Remove grease lines (A) from each side of unit.



T6414AP -JUN-05APR90

T47,0200,C9 -19-03SEP86

Disconnect leveling valve rod at yoke (A).

Remove axle to leveling valve rod.



T6409AT -JUN-05APR90

T47,0200,C10 -19-11SEP86

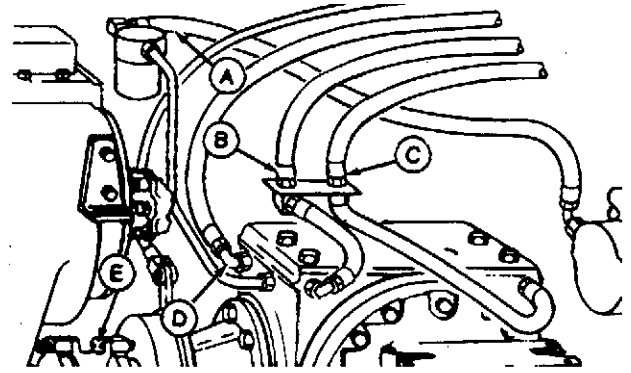
0200
6

Disconnect hydraulic lines (B and C) at bracket. Remove bracket.

Disconnect lines (A and D).

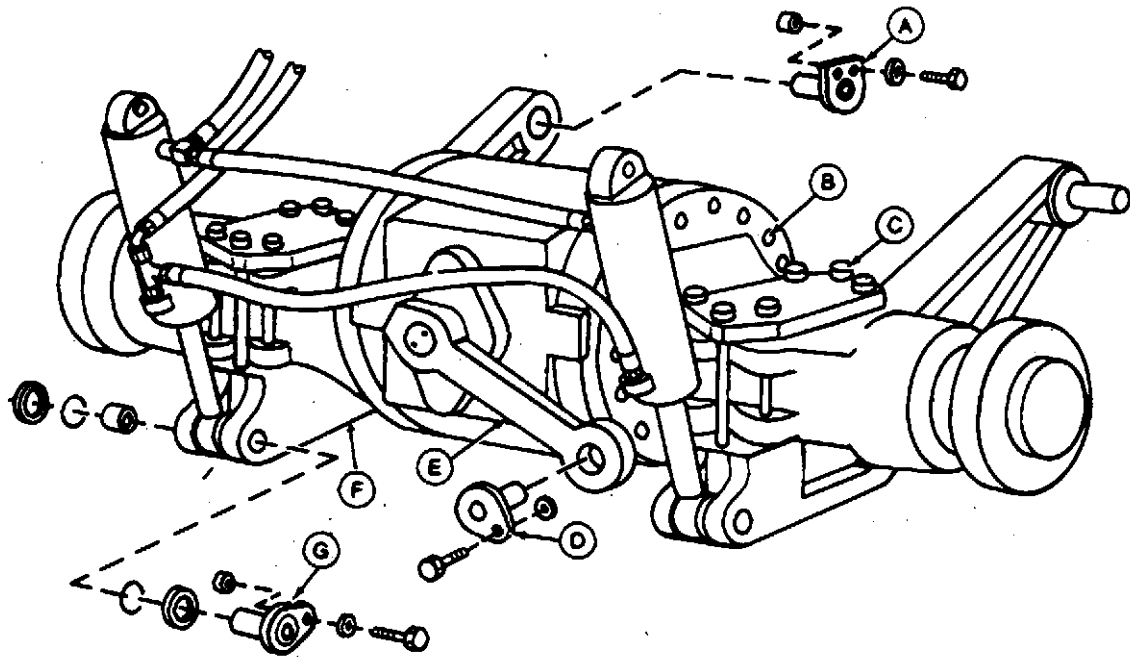
Disconnect drive shaft (E).

- A—From Pump to Filter Differential
- B—From Differential Lock Valve
- C—From Brake Valve
- D—To Differential Lock Valve
- E—Transmission-to-Differential Drive Shaft



T6416BF -JUN-19MAY89

T47,0200,C11 -19-11SEP86



A—Pin (2 used)
B—Cap Screw (18 used)

C—Cap Screw (12 used)
D—Pin

E—Stabilizer Bar
F—Cradle

G—Pin (2 used)

Remove pins (D and G).

Remove pins (A) to carefully lower differential and axle assembly.

To remove differential and axle assembly from cradle (F), remove nuts and cap screws (C).

T6416BQ -JUN-22MAY89

T47,0200,C12 -19-09SEP86

CAUTION: Approximate weight of axle housing is 377 kg (831 lb).

Remove cap screws to remove axle housing. DO NOT let brake backing plate (B) and disk (E) fall.

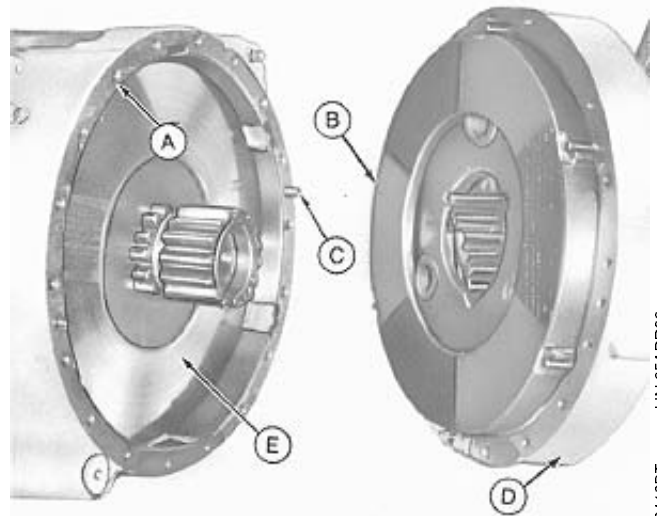
Use new gasket (A) when installing axle housing.

Install dowel pin (C) with small end out.

Install two cap screws finger tight. Check to make sure axle shaft turns. If it does not, brake disk is assembled incorrectly. If shaft turns, install and tighten rest of cap screws.

AXLE HOUSING TORQUE SPECIFICATIONS

Axle Housing-to-Differential	
Case Cap Screws	338 N·m (249 lb-ft)



- A—Gasket
- B—Brake Backing Plate
- C—Dowel Pin
- D—Axle Housing
- E—Brake Disk

0200
8

T6416BT
-JUN-05APR90

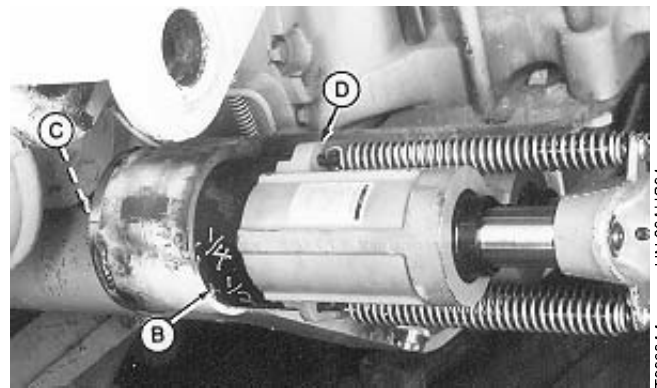
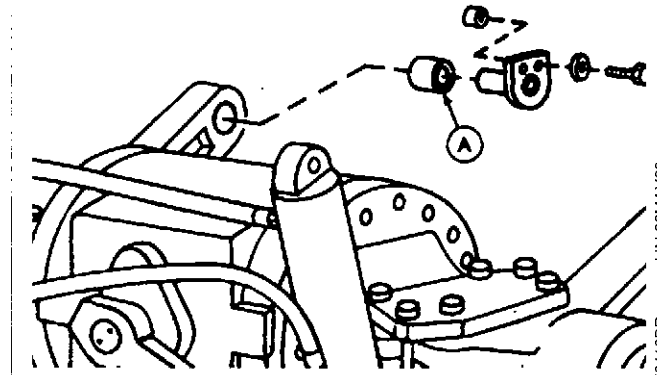
T47,0200,C13 -19-12SEP94

REMOVE AND INSTALL SUSPENSION AXLE FRAME BUSHINGS—862B

NOTE: Removing the bushing as an assembly causes the rubber insert to swell making removal difficult. To make removal less difficult, remove the inner sleeve first, then the rubber insert and outer sleeve.

1. Remove the inner sleeve of bushing (A) using bushing receiver (B), bushing remover (C), forcing screw, special nut, and 30-ton hydraulic ram (D).
2. Remove the outer sleeve and remaining rubber insert using a 110 mm disk, receiver, screw, nut and hydraulic ram.
3. Clean bores of any rust and foreign material.

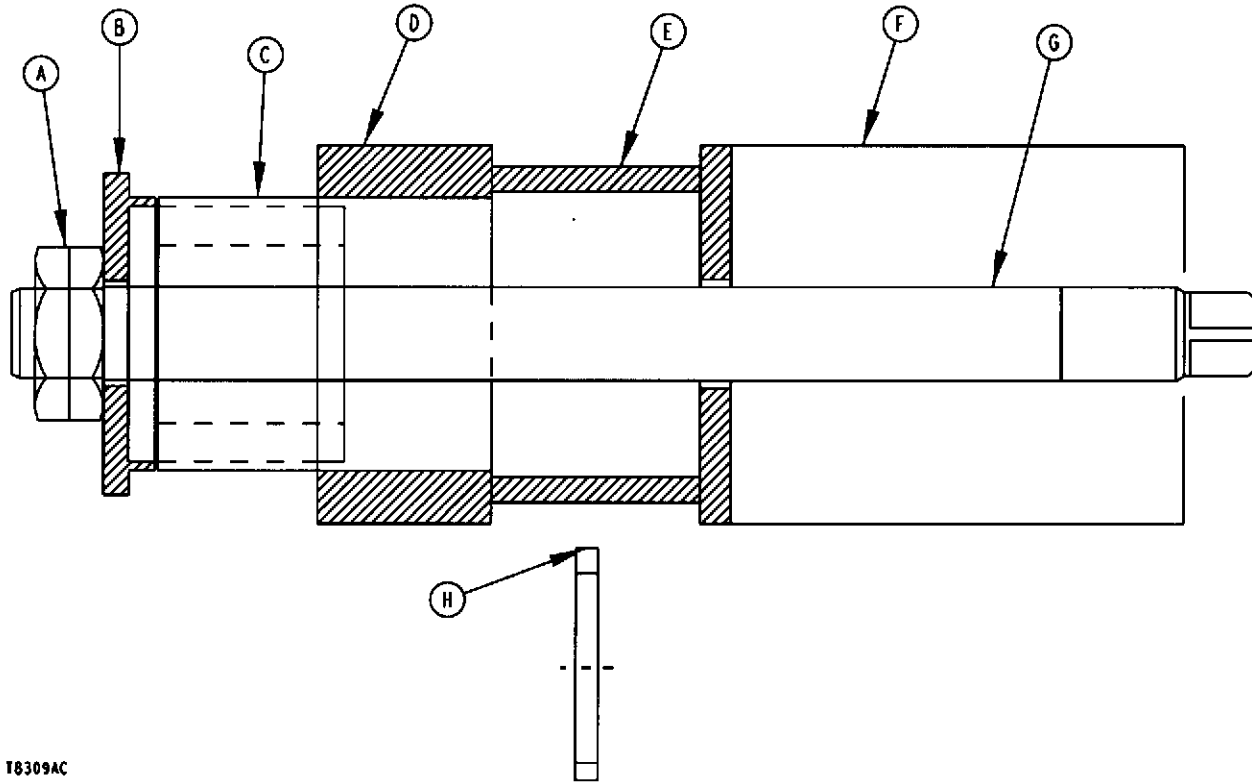
- A—Bushing
- B—JDG898-2 Bushing Receiver
- C—JDG898-4 Bushing Remover
JDG898-5 Forcing Screw
JDG898-6 Special Nut
- D—27 t (30-Ton) Hydraulic Ram



T6416BR
-JUN-22MAY89

T8309AA
-JUN-29AUG94

T47,0200,C14 -19-05SEP95



T8309AC

4. Apply soap lubricant to the ends of rubber insert in bushing (A).

5. Push bushing (C) into installer (B) using a press. Outer sleeve must be against the end of installer.

IMPORTANT: The right frame end is narrower than the left frame end. Spacer (H) must be used when installing bushing in the right frame end so it is centered.

6. Pull bushing into the left frame end (wider frame end) using the installer (B), receiver (E), screw (G), nut (A), and hydraulic ram (F). Install bushing so flange on installer is against the side of frame end.

7. Install spacer (H) on the installer. Push bushing into the installer.

8. Pull bushing into the right frame end (narrower frame end) until spacer is against the side of frame end.

9. Check that distance between the inner sleeve of bushings is 894 ± 1.5 mm (35.19 ± 0.06 in.). As necessary, push bushing in right frame end in or out to get dimension.



- A—JDG898-6 Special Nut
- B—JDG898-1 Bushing Installer
- C—Bushings (2 used)
- D—Suspension Frame
- E—JDG898-2 Bushing Receiver
- F—27 t (30-Ton) Hydraulic Ram
- G—JDG898-5 Forcing Screw
- H—JDG898-3 Spacer

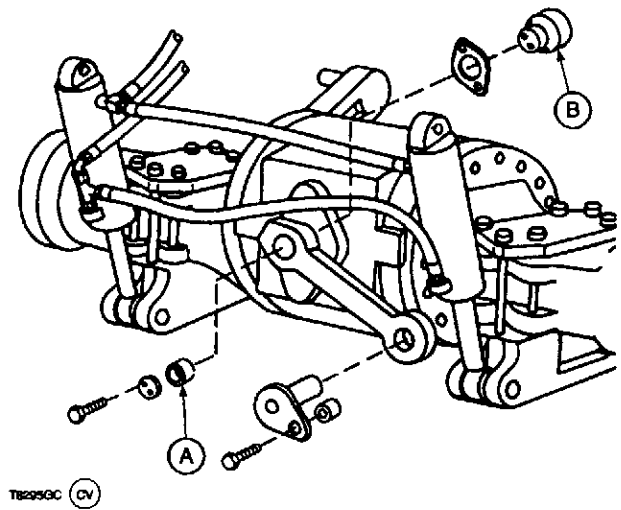
T47,0200,C15 -19-25AUG94

10. Pull pin (B) to remove. Heat differential case around pin to aid removal.

11. Remove old stabilizer bar bushing (A) if replacement is necessary. Install new bushing flush with stabilizer bar. Outer race will be 3.3 ± 0.51 mm (0.13 ± 0.02 in.) below surface. Stake outer race in three places to prevent movement.

12. To install, shrink pin using dry ice, then push pin to bottom of bore in case.

NOTE: Grooves in pin let air escape as pin is pushed into groove.



0200
10

TX,0200,DW103 -19-12SEP94

INSTALL SUSPENSION AXLE AND DIFFERENTIAL—862B

Apply oil to threads of suspension-frame-to-axle bolts.

Suspension axle frame-to-axle nut torque
(for 559 mm [22 in.] bolts) (8 used) 271 N·m
(200 lb-ft)
Continue tightening 5 Flats

Suspension axle frame-to-axle nut torque
(for 356 mm [14 in.] bolts) (4 used) 136 N·m
(100 lb-ft)
Continue tightening 4 Flats

Drive shaft cap screws torque 102 N·m (75 lb-ft)

Install differential and axle assembly using a low lift transmission jack.

Install pins to connect pivots.

Raise axle—differential assembly until stabilizer bar pin can be installed. Install pins to connect cylinder.

Connect hydraulic lines (A—D).

Connect grease lines.

Connect leveling valve rod.

Connect park brake lever.

Connect axle filter restriction indicator wire to filter housing.

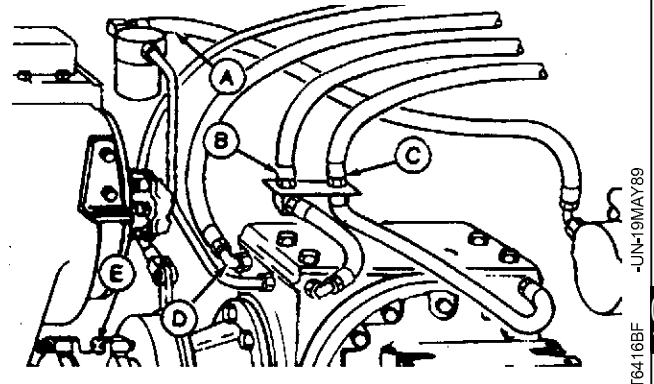
Connect drive shaft (E). Tighten cap screws to specification.

Install wheels on axle. (See Group 0110.)

Check operation of suspension, differential lock, and brakes.

Bleed brakes.

Apply grease to all suspension axle grease fittings.



(S.N. —752606) Shown

- A—From Pump to Filter
- B—From Differential Lock Valve
- C—From Brake Valve
- D—To Differential Lock Valve
- E—Transmission-to-Differential Drive Shaft

T6418BF -JUN-19MAY89

0200
11

T47,0200,C18 -19-05SEP95

ADJUST SUSPENSION AXLE HEIGHT—862B

Start engine. Engage park brake and lower bowl to ground.

Move control lever to suspension position.

Measure cylinder rod extension of either cylinder.

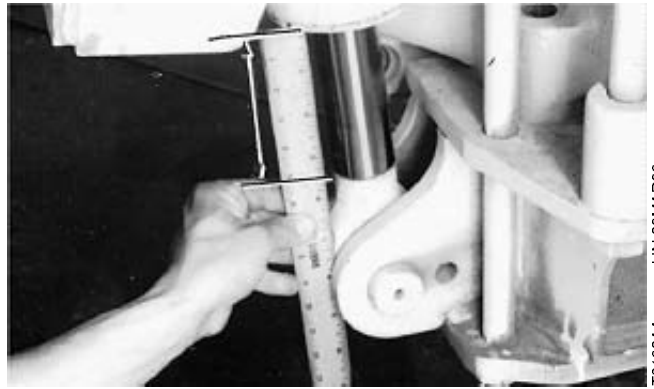
SUSPENSION CYLINDER EXTENSION SPECIFICATIONS

Suspension cylinder extension 102 ± 12 mm
(4.0 ± 0.5 in.)

If extension measurement is not to specifications, adjust yoke (A) on leveling valve spool.

Also check leveling valve spool centering springs to be sure they are not broken.

Recheck measurement several times to assure proper adjustment.



T6102AA -JUN-29MAR90



T6108AQ -JUN-02APR90

T47.0200,C19 -19-05JAN96

0200
12

ADJUST SUSPENSION AXLE DIFFERENTIAL DRIVE SHAFT—862B

Park machine so differential yoke is parallel to ground. Engage park brake. Lower bowl to ground. Stop engine.

Remove transmission-to-differential drive shaft. Slide transmission output yoke toward transmission.

Install drive shaft alignment tool* horizontally in differential yoke and hold in place. Slide transmission yoke into gauge and check alignment.

If there is misalignment, loosen transmission-to-main frame hardware and slide transmission using a pry bar for alignment. If necessary, slot holes in main frame to provide alignment.



T6105AT -JUN-02APR90

*Fabricated tool, dealer made. (See JT38053 in Section 99 for instructions to make tool.)

T47.0200,C20 -19-05JAN96

ESSENTIAL TOOLS

NOTE: Order tools from your SERVICE-GARD™ catalog, unless otherwise indicated.

Number	Name	Use
JDG-185	Air Test Plug	To check for leakage of differential lock quill.

R50,50300,972 -19-19SEP84

0210
1

SERVICE EQUIPMENT AND TOOLS

Name	Use
Puller	To remove bearing cones and cups.
Knife Edge Puller	To remove bearing cones.
Spring Compression Tester	To check springs.
762B	To install bearing cups.
104 mm Disk	
112 mm Disk	
129 mm Disk	
177 mm Disk	
862B	To install bearing cups.
122 mm Disk	
147 mm Disk	
180 mm Disk	
228 mm Disk	
*JT38000 Differential Lifting Tool	To lift differential from housing.

**Fabricated tool, dealer made. (See Section 99 for instructions to make tool.)*

R50,050300,1685-19-09JAN96

DIFFERENTIAL SPECIFICATIONS

Item	Measurement	Specification
Differential Carrier Bearings	Preload	(762B) 0.05—0.13 mm (0.002—0.005 in.) (862B) 0.05—0.10 mm (0.002—0.004 in.)
	Rolling Drag Torque	2.3—4.5 N·m (20—40 lb-in)
Spiral Bevel Gear	Backlash	0.27—0.43 mm (0.011—0.017 in.)
Spiral Bevel Gear Cap Screws	Torque	(762B) 298 N·m (220 lb-ft) (862B) 325 N·m (240 lb-ft)
Oil Passage Bushing (762B only)	Protrude From Housing	7.25—7.75 mm (0.29—0.31 in.)
Differential Cover Cap Screws	Torque	(762B) 75 N·m (55 lb-ft) (862B) 115 N·m (85 lb-ft)
Differential Housing Cap Screws	Torque	(762B) 115 N·m (85 lb-ft) (862B) 149 N·m (110 lb-ft)
Differential Housing Spring Pin	Height	(762B) 12.2 mm (0.48 in.) (862B) 32.5 mm (1.28 in.)
Differential Quill Cap Screws	Torque	115 N·m (85 lb-ft)
Lock Line Connectors		
Line-To-Case	Torque	27 N·m (20 lb-ft)
Line-To-Quill	Torque	(762B) 13.6 N·m (10 lb-ft) (862B) 27 N·m (20 lb-ft)
Lock Line Flare Nuts	Torque	13.6 N·m (10 lb-ft)
Return Line Elbow Jam Nut and Return Line Flare Nut	Torque	13.6 N·m (10 lb-ft)
Lock Quill Air Test	Leakage	No Leakage at Regulated 100 kPa (1 Bar) (14 psi)
Differential Lock Circuit Oil Leakage Test	Leakage	At 4300 ± 100 kPa (625 ± 15 psi) Leakage must not exceed 1.62 L/min. (0.43 GPM)
DIFFERENTIAL LOCK RELEASE SPRING:		
Free Length	Length	(762B) 29.5 mm (1.16 in.) (862B) 45.2 mm (1.78 in.)
Test Length	Length	(762B) 18.8 mm (0.74 in.) at 200—245 N (45—55 lb) (862B) 36.9 mm (1.45 in.) at 214—249 N (48—56 lb)
Differential Case Cover-to-Case Dowel Pins	Protruding Length	13 mm (0.50 in.)

0210
2



Suggest:

If the above button click is invalid.

Please download this document

first, and then click the above link

to download the complete manual.

Thank you so much for reading

DIFFERENTIAL SPECIFICATIONS—CONTINUED

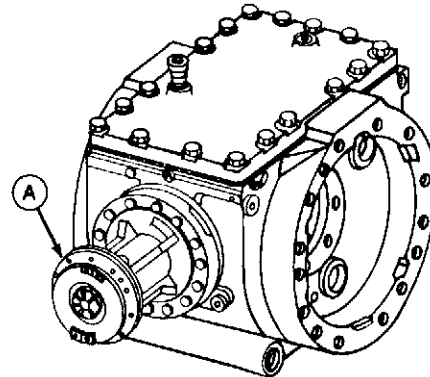
INPUT SHAFT SPECIFICATIONS:

Item	Measurement	Specification
Quill-to-Case Dowel Pin	Protruding Length	15 mm (0.59 in.)
Quill Cap Screws	Torque	(762B) 163 N·m (120 lb-ft) (862B) 325 N·m (240 lb-ft)
Input Shaft Adjustment	Endplay	(762B) 0.002—0.06 mm (0.001—0.002 in.) (862B) 0.00—0.08 mm (0.000—0.003 in.)
	Rolling Drag Torque	Must Not Exceed 0.6 N·m (5 lb-in)
Input Shaft Nut	Torque (Final)	271—406 N·m (200—300 lb-ft)
Input Shaft Seal	Position Compared With	(762B) Flush (862B) 19 mm (0.75 in.) Below End of Seal Bore

TX.0210.DY108 -19-05JAN96

REMOVE INPUT QUILL AND SHAFT ASSEMBLY

⚠ CAUTION: Input quill and bevel pinion shaft assembly (A) weighs approximately:
 762B 45 kg (100 lb)
 862B 88 kg (194 lb)



R50,050300,1633-19-05SEP95

-JUN-01AUG94
R39910

0210
3

<https://www.ebooklibonline.com>

Hello dear friend!

Thank you very much for reading.

Enter the link into your browser.

The full manual is available for immediate download.

<https://www.ebooklibonline.com>