

JOHN DEERE
WORLDWIDE COMMERCIAL & CONSUMER
EQUIPMENT DIVISION

Trail Buck Utility ATV
500, 650, 650EX and 650EXT

TM2160 MAY 2004

TECHNICAL MANUAL



JOHN DEERE

North American Version
Litho in U.S.A.

INTRODUCTION

Manual Description

This technical manual is written for an experienced technician and contains sections that are specifically for this product. It is a part of a total product support program.

The manual is organized so that all the information on a particular system is kept together. The order of grouping is as follows:

- Table of Contents
- Specifications and Information
- Identification Numbers
- Tools and Materials
- Component Location
- Schematics and Harnesses
- Theory of Operation
- Operation and Diagnostics
- Diagnostics
- Tests and Adjustments
- Repair
- Other

NOTE: Depending on the particular section or system being covered, not all of the above groups may be used.

The bleed tabs for the pages of each section will align with the sections listed on this page. Page numbering is consecutive from the beginning of the Safety section through the last section.

We appreciate your input on this manual. If you find any errors or want to comment on the layout of the manual please contact us.

Safety

Technical Data

Engine

Electrical

Drive Train

Steering

Suspension

Brakes

Body / Frame

All information, illustrations and specifications in this manual are based on the latest information at the time of publication. The right is reserved to make changes at any time without notice.

COPYRIGHT© 2004
Deere & Co.
John Deere Worldwide Commercial and
Consumer Equipment Division
All rights reserved
Previous Editions
COPYRIGHT© 2004

SAFETY

Recognize Safety Information



MIF

This is the safety-alert symbol. When you see this symbol on your machine or in this manual, be alert to the potential for personal injury.

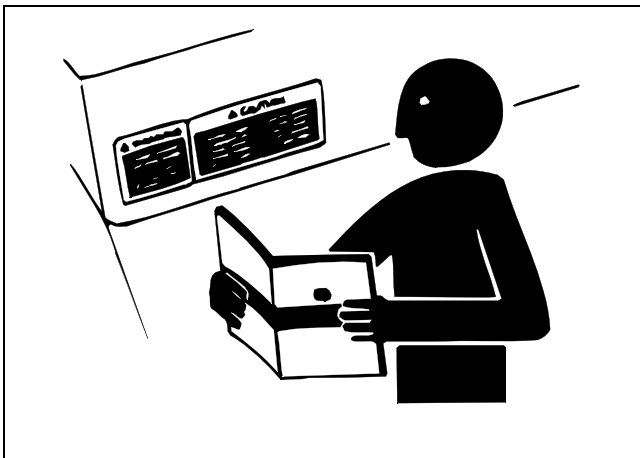
Follow recommended precautions and safe servicing practices.

Understand Signal Words

A signal word - DANGER, WARNING, or CAUTION - is used with the safety-alert symbol. DANGER identifies the most serious hazards.

DANGER or WARNING safety signs are located near specific hazards. General precautions are listed on CAUTION safety signs. CAUTION also calls attention to safety messages in this manual.

Replace Safety Signs

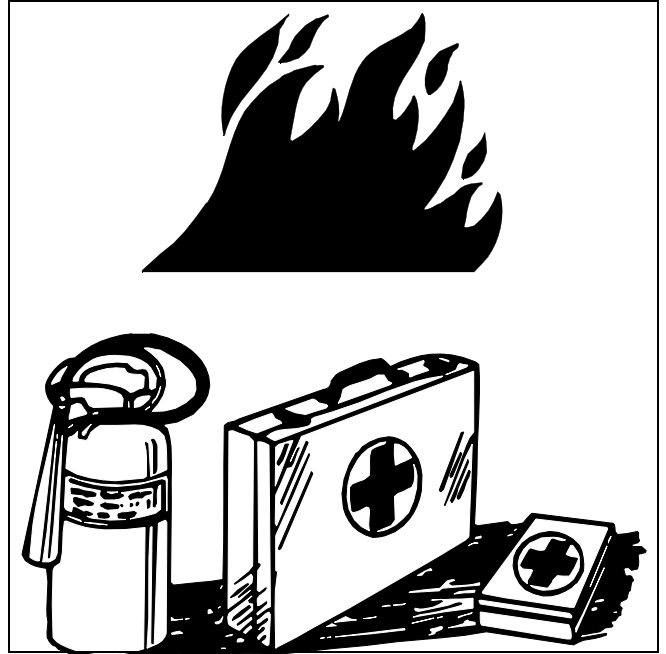


MIF

Replace missing or damaged safety signs. See the machine operator's manual for correct safety sign placement.

Handle Fluids Safely - Avoid Fires

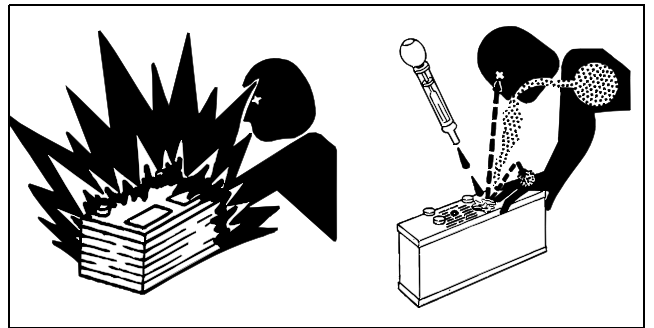
Be Prepared For Emergencies



MIF

- When you work around fuel, do not smoke or work near heaters or other fire hazards.
- Store flammable fluids away from fire hazards. Do not incinerate or puncture pressurized containers.
- Make sure machine is clean of trash, grease, and debris.
- Do not store oily rags; they can ignite and burn spontaneously.
- Be prepared if a fire starts.
- Keep a first aid kit and fire extinguisher handy.
- Keep emergency numbers for doctors, ambulance service, hospital, and fire department near your telephone.

Use Care In Handling and Servicing Batteries



MIF

<https://www.ebooklibonline.com>

Hello dear friend!

Thank you very much for reading.

Enter the link into your browser.

The full manual is available for immediate download.

<https://www.ebooklibonline.com>

SAFETY

Prevent Battery Explosions

- Keep sparks, lighted matches, and open flame away from the top of battery. Battery gas can explode.
- Never check battery charge by placing a metal object across the posts. Use a volt-meter or hydrometer.
- Do not charge a frozen battery; it may explode. Warm battery to 16°C (60°F).

Prevent Acid Burns

- Sulfuric acid in battery electrolyte is poisonous. It is strong enough to burn skin, eat holes in clothing, and cause blindness if splashed into eyes.

Avoid acid burns by:

1. Filling batteries in a well-ventilated area.
2. Wearing eye protection and rubber gloves.
3. Avoiding breathing fumes when electrolyte is added.
4. Avoiding spilling or dripping electrolyte.
5. Use proper jump start procedure.

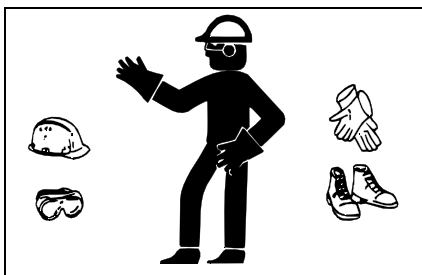
If you spill acid on yourself:

1. Flush your skin with water.
2. Apply baking soda or lime to help neutralize the acid.
3. Flush your eyes with water for 10 - 15 minutes.
4. Get medical attention immediately.

If acid is swallowed:

1. Drink large amounts of water or milk.
2. Then drink milk of magnesia, beaten eggs, or vegetable oil.
3. Get medical attention immediately.

Wear Protective Clothing



MIF

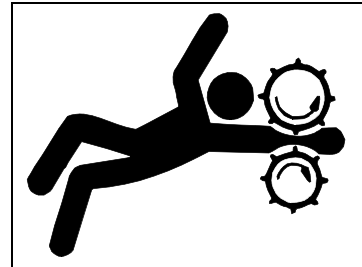
Wear close fitting clothing and safety equipment appropriate to the job.

Prolonged exposure to loud noise can cause impairment or loss of hearing. Wear a suitable hearing protective device

such as earmuffs or earplugs to protect against objectionable or uncomfortable loud noises.

Operating equipment safely requires the full attention of the operator. Do not wear radio or music headphones while operating machine.

Service Machines Safely



MIF

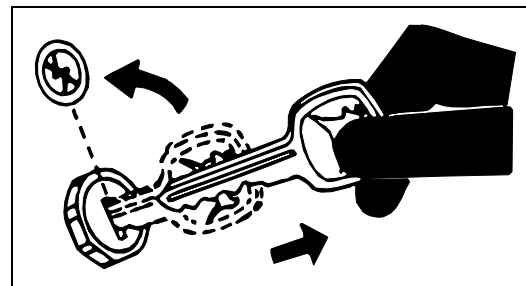
Tie long hair behind your head. Do not wear a necktie, scarf, loose clothing, or necklace when you work near machine tools or moving parts. If these items were to get caught, severe injury could result.

Remove rings and other jewelry to prevent electrical shorts and entanglement in moving parts.

Use Proper Tools

Use tools appropriate to the work. Makeshift tools and procedures can create safety hazards. Use power tools only to loosen threaded parts and fasteners. For loosening and tightening hardware, use the correct size tools. **DO NOT** use U.S. measurement tools on metric fasteners. Avoid bodily injury caused by slipping wrenches. Use only service parts meeting John Deere specifications.

Park Machine Safely



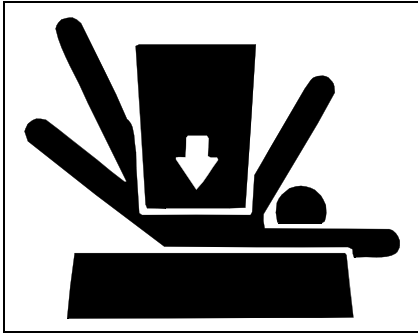
MIF

Before working on the machine:

1. Lower all equipment to the ground.
2. Stop the engine and remove the key.
3. Disconnect the battery ground strap.
4. Hang a "DO NOT OPERATE" tag in operator station.

SAFETY

Support Machine Properly and Use Proper Lifting Equipment



MIF

If you must work on a lifted machine or attachment, securely support the machine or attachment.

Do not support the machine on cinder blocks, hollow tiles, or props that may crumble under continuous load. Do not work under a machine that is supported solely by a jack. Follow recommended procedures in this manual.

Lifting heavy components incorrectly can cause severe injury or machine damage. Follow recommended procedure for removal and installation of components in the manual.

Work In Clean Area

Before starting a job:

1. Clean work area and machine.
2. Make sure you have all necessary tools to do your job.
3. Have the right parts on hand.
4. Read all instructions thoroughly; do not attempt shortcuts.

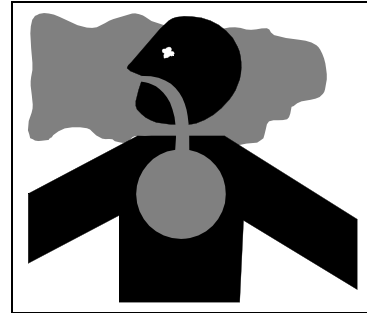
Using High Pressure Washers

Directing pressurized water at electronic/electrical components or connectors, bearings, hydraulic seals, fuel injection pumps or other sensitive parts and components may cause product malfunctions. Reduce pressure and spray at a 45 to 90 degree angle.

Illuminate Work Area Safely

Illuminate your work area adequately but safely. Use a portable safety light for working inside or under the machine. Make sure the bulb is enclosed by a wire cage. The hot filament of an accidentally broken bulb can ignite spilled fuel or oil.

Work In Ventilated Area



MIF

Engine exhaust fumes can cause sickness or death. If it is necessary to run an engine in an enclosed area, remove the exhaust fumes from the area with an exhaust pipe extension.

If you do not have an exhaust pipe extension, open the doors and get outside air into the area.

Warning: California Proposition 65 Warning

Gasoline engine exhaust from this product contains chemicals known to the State of California to cause cancer, birth defects, or other reproductive harm.

Diesel engine exhaust and some of its constituents are known to the State of California to cause cancer, birth defects, and other reproductive harm.

Remove Paint Before Welding or Heating

Avoid potentially toxic fumes and dust. Hazardous fumes can be generated when paint is heated by welding, soldering, or using a torch. Do all work outside or in a well ventilated area. Dispose of paint and solvent properly. Remove paint before welding or heating: If you sand or grind paint, avoid breathing the dust. Wear an approved respirator. If you use solvent or paint stripper, remove stripper with soap and water before welding. Remove solvent or paint stripper containers and other flammable material from area. Allow fumes to disperse at least 15 minutes before welding or heating.

Service Tires Safely

MIF

Explosive separation of a tire and rim parts can cause serious injury or death.

Do not attempt to mount a tire unless you have the proper equipment and experience to perform the job.

Always maintain the correct tire pressure. Do not inflate the tires above the recommended pressure. Never weld or heat a wheel and tire assembly. The heat can cause an increase in air pressure resulting in a tire explosion. Welding can

DRIVE TRAIN REPAIR

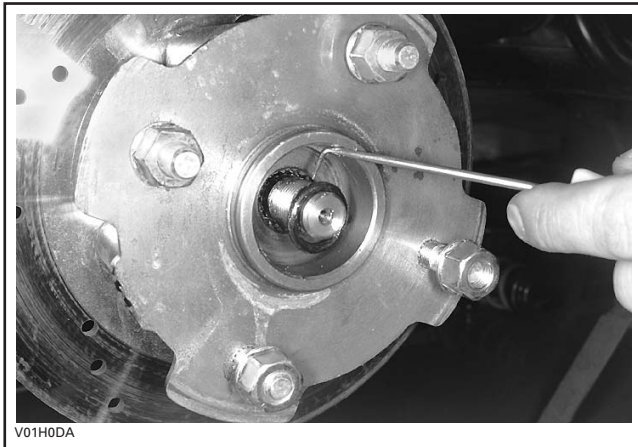
Repair

Front Drive Shaft

Removal:

Raise the front of vehicle, support it securely on jack stands and remove front wheel(s).

Remove wheel cap no. 13, cotter pin no. 12, castellated nut no. 11, flat washer no. 10 and O-ring no. 14.



v01h0da2.EPS

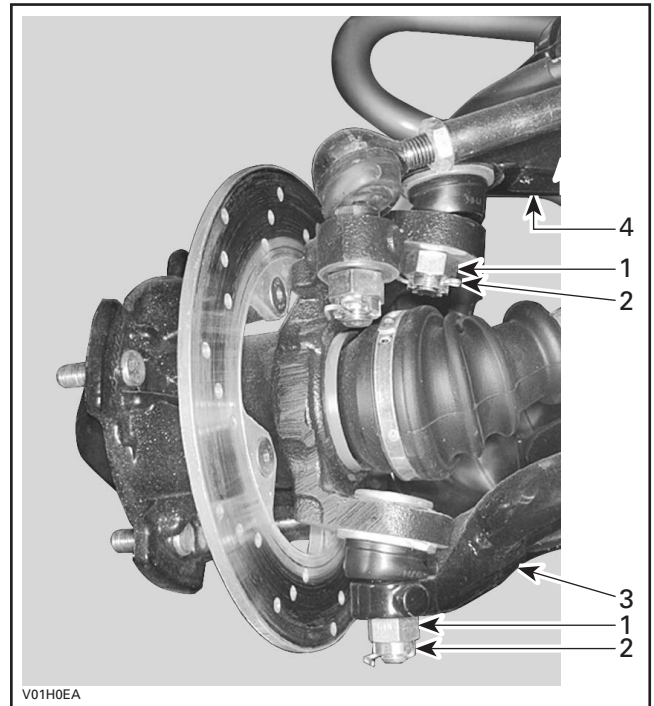
Check the O-ring for damage, replace if necessary

Remove caliper.

IMPORTANT: Avoid damage! Don't let the caliper hang by the hose and don't stretch or twist the hose.

Remove cotter pin and castellated nut from upper and lower suspension arms.

IMPORTANT: Avoid damage! Discard cotter pins. Always install new cotter pins.



v01h0ea2.EPS

Typical

A - Castellated Nut(1)

B - Cotter Pin (2)

C - Lower Suspension Arm (3)

D - Upper Suspension Arm (4)

Detach tie-rod from knuckle.

Separate knuckle no. 8, with hub and brake disk no. 9, from lower and upper suspension arms.

Separate knuckle from the drive shaft no. 7.

Pull drive shaft out of differential no. 1.

NOTE: Pull drive shaft strongly.

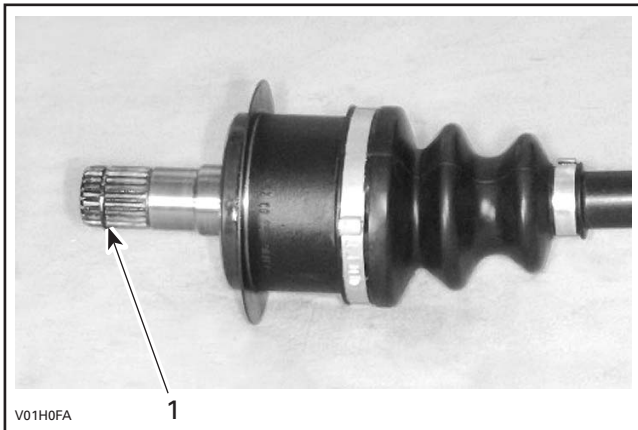
Inspection:

Inspect the condition of boots. If there is any damage or evidence of leaking lubricant, replace them. Refer to Drive Shaft Boot below.

Installation:

Apply grease to the splines and insert the end of drive shaft in differential and pull joint a little to make sure that the stop ring is locked in differential side gear groove.

DRIVE TRAIN REPAIR



v01h0fa2.EPS

A - Stop Ring (1)

Insert the other end of drive shaft in the knuckle and install the knuckle, with hub and brake disk, to the lower and upper suspension arms. Torque the castellated nut to 47 N•m (35 lb-ft) and install a new cotter pin.

Reinstall tie-rod. Install a hardened washer on each side of the knuckle arm. Torque tie-rod castellated nut to 73 N•m (54 lb-ft) then install a new cotter pin.

Install the O-ring, the flat washer and torque the castellated nut on the drive shaft end to 135 - 155 N•m (100 - 114 lb-ft). Install a new cotter pin and the wheel cap.

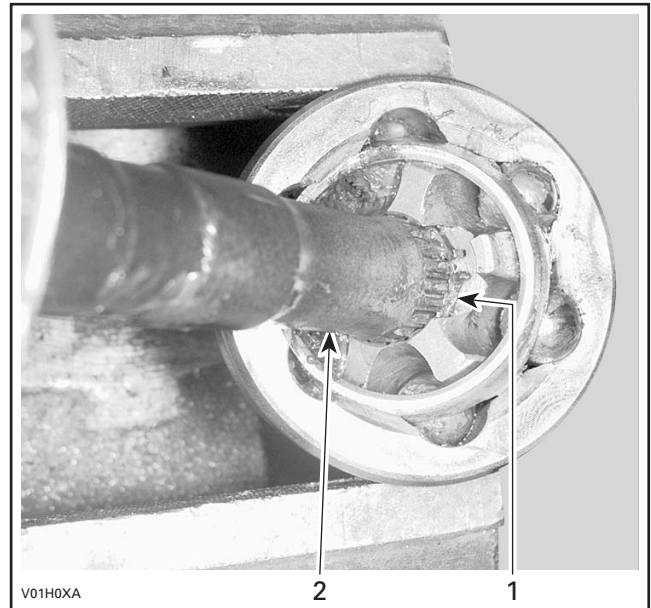
Reinstall the front wheel(s) and torque nuts to 75 N•m (55 lb-ft).

Drive Shaft Boot Removal:

Remove:

- clamps from rubber boot using boot clamp pliers (P/N JDG 295 000 069 and 295 000 054)
- large end of the boot from plunging joint or CV joint.

Move apart circlip and pull out the shaft from bearing. Do not remove circlip.



V01h0xa2.EPS

A - Circlip (1)

B - Shaft (2)

Remove boot from drive shaft.

Inspection:

Check bearing in plunging joint or CV joint. If bearing is hard to move, change plunging joint or CV joint.

Check circlip for damage, change as necessary.

Installation:

For installation, reverse the removal procedure. Paying attention to the following details.

Insert boot, do not forget the small clamp.

Insert shaft and push firmly.

Pack bearing area with grease (including with the new boot kit).

NOTE: Do not use an other grease.

Front Differential

Removal:

Raise front of vehicle, support it securely on jack stands and remove front wheels.

On LH side, remove:

- wheel cap no. 13
- cotter pin no. 12
- castellated nut no. 11
- flat washer no. 10
- O-ring no. 14.

DRIVE TRAIN REPAIR

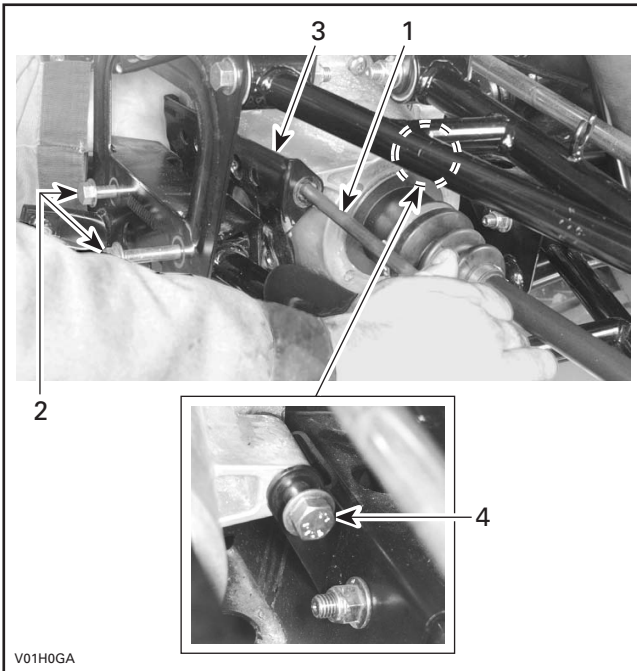
On RH side, remove drive shaft.

Remove inner fender.

Unscrew propeller shaft bolt no. 19. Differential side only.

On front side, remove:

- front skid plate
- differential mounting bracket bolt no. 4
- front mounting bolt no. 3
- rear mounting bolt no. 5
- differential brace no. 6
- differential mounting bracket no. 2.



v01h0ga2.EPS

- A - Front Mounting Bolt M10 x 200 (1)**
- B - Differential Mounting Bracket Bolts (2)**
- C - Differential Mounting Bracket (3)**
- D - Rear Mounting Bolt M10 x 60 (4)**

Remove rubber bellows no. 15 on the top from the front differential.

Pull differential forward then separate propeller shaft no. 16 from differential.



v01h0ia2.EPS

Remove front differential by the RH side.

Separate LH drive shaft from differential.

Inspection:

Turn front differential gear with a finger; it should turn smoothly. Replace if necessary.

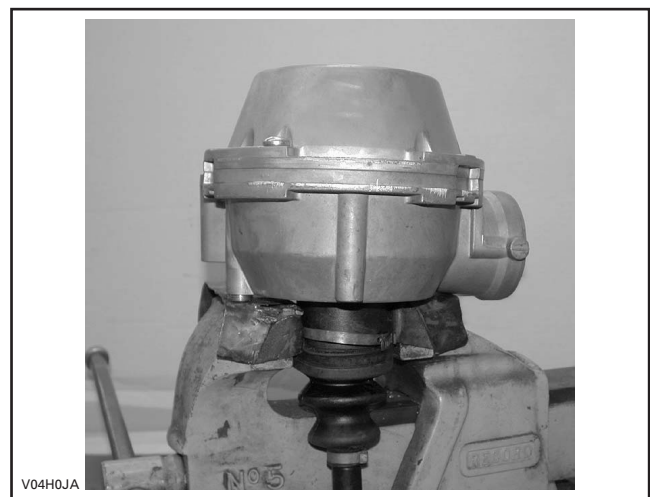
With drive shafts installed, check backlash and axial play.

Backlash Measurement and Adjustment

NOTE: Backlash adjustment is the last procedure to do before the final re-assembly of a differential.

Temporarily re-assemble the differential.

Install a drive shaft in vise then place the differential on the drive shaft end.



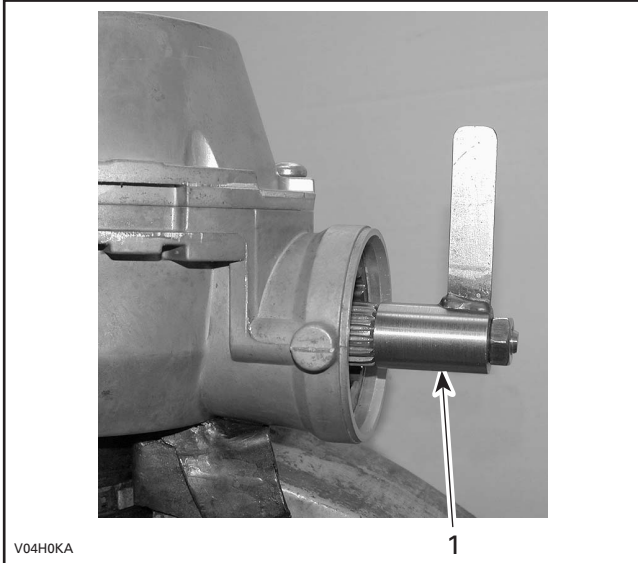
V04h0JA2.EPS

NOTE: The drive shaft prevents the gears from moving.

Install a backlash measurement tool at the end of the pinion

DRIVE TRAIN REPAIR

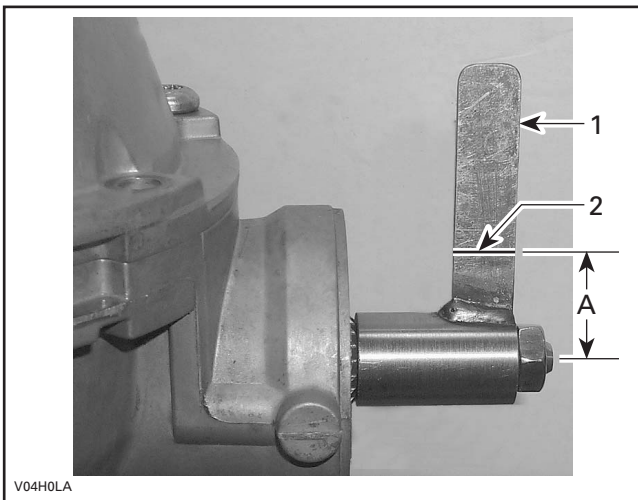
gear.



V04h0kA2.EPS

A - Backlash Measurement Tool (1)

From center of bolt, measure 25.4 mm (1 in) and scribe a mark on the tab.



V04h0lA2.EPS

A - Tab of Backlash Measurement Tool (1)

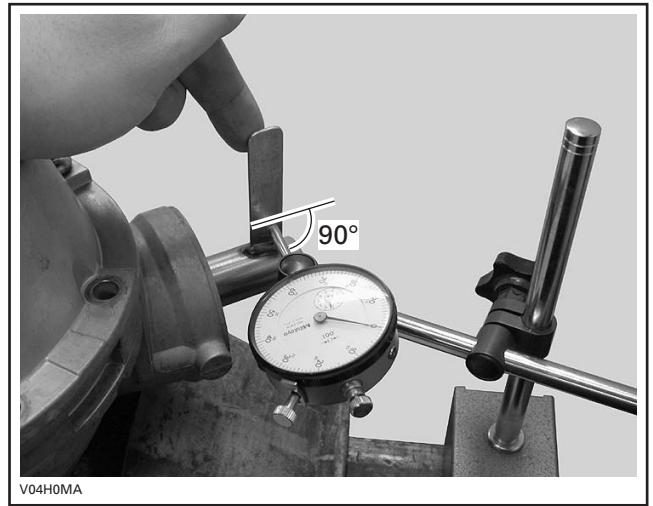
B - Mark on Tab (2)

C - 25.4 mm (1 in.) (A)

NOTE: This measure is equal to the radius of pinion gear and is used where no specification is available.

Position the dial indicator tip against the tab at a 90-degree angle and right on the previously scribed mark.

Gently move the pinion shaft back and forth.



V04h0mA2.EPS

The reading on the dial indicator gives the backlash.

To be acceptable, the backlash must be between 0.102 and 0.356 mm (0.004 and 0.014 in).

If the backlash is not within specifications, disassemble the differential and reposition the shims of the ring gear carrier accordingly in order to move it either closer to or further away from the pinion.

The backlash is adjusted by moving shims from one end of the ring gear carrier to the other as required.

IMPORTANT: Avoid damage! Never eliminate any shims, simply move them from one end to the other to be able to move the ring gear carrier either closer to or further away from the pinion in order to get the correct backlash.

Moving ring gear carrier closer to the pinion will decrease backlash. Moving it further away from the pinion will increase backlash.

Re-assemble the differential and check the backlash again. Repeat the procedure until the backlash is within specifications.

After obtaining the proper backlash, do the final re-assembly.

Disassembly:

Ring Gear Carrier/Ring Gear Removal:

To change ring gear carrier no. 21 or ring gear no. 22:

- Unscrew the drain plug no. 23 and empty differential.
- Unscrew the TORX screws no. 24, then separate half housings.
- Extract ring gear carrier with ring gear out of half housing.
- Unscrew Allen socket screws no. 25 then separate ring

DRIVE TRAIN REPAIR

gear from ring gear carrier.

To assembly, reverse the removal procedure. Pay attention to the following details.

NOTE: NOTE: If ring gear carrier, pinion gear, ring gear, housing or bearing is (are) changed, recenter the ring gear carrier in the housing before final assembly. See PINION GEAR AND RING GEAR CARRIER RECENTERING below.

Verify condition of half housing seal no. 26. Change seal if necessary.

Check all bearings and all oil seals. Change them if necessary.

Pinion Gear Removal:

Remove oil seal no. 27.

Unscrew the pinion nut no. 28. Use a differential spanner socket.

Remove the bearing no. 29 at the same time as the pinion gear no. 30.

NOTE: The pinion gear and bearing can be easily removed using the following suggested tool:

- pipe 3-1/2" dia. x 5" (1)
- threaded rod M10 x 1.25, 7" in length (1)
- nut M10 x 1.25 (3)
- flat bar (1)

To install, reverse the removal procedure. Paying attention to the following details.

Check O-ring no. 31 for damage. If so, change it.

Install the shim no. 32 then the ball bearing.

NOTE: If ring gear carrier, pinion gear, ring gear, housing or bearing is (are) changed, recenter the ring gear carrier in the housing before final assembly. See below.

Install the nut and a new oil seal.

Pinion Gear and Ring Gear Carrier Recentering:

NOTE: All measurements require great care and absolute cleanliness to obtain accurate results.

First; center pinion gear.

Install pinion gear into housing.

Measure distance between mount surface and the top of pinion gear. This is measure "A".

Remove pinion and install ring gear carrier with ring gear installed.

Measure distance between mount surface and the top of ring gear. This is measure "B".



V04h06a2.EPS

Subtract measure "B" from measure "A". Note this result "C".

$$A - B = C$$

Remove ring gear carrier then install pinion gear into housing.

Measure distance between mounting surface and the pinion shim surface. This is measure "D".



V04h07a2.EPS

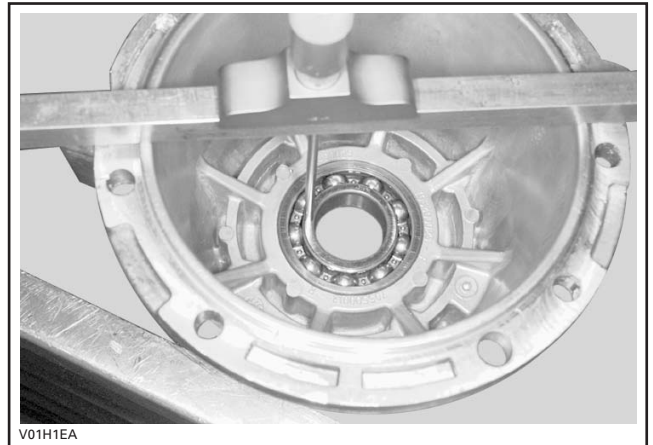
Remove pinion gear then measure the distance between mount surface and bearing surface. This is measure "E".

DRIVE TRAIN REPAIR



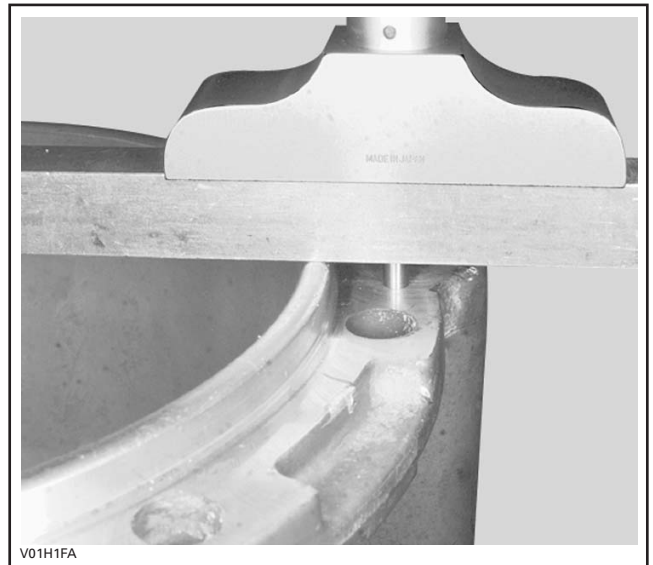
V01h1Da2.EPS

Measure the other half housing between housing edge and the inner ring of bearing. This is measure "H".



V01h1Ea2.EPS

Measure the edge of half housing. This is measure "J".



V01h1Fa2.EPS

Subtract the measure "J" from measure "H" then add this result to "G". Note this result "K".

$$G + (H - J) = K \text{ (housing inside length)}$$

Measure ring gear carrier length. This is measure "L".

Subtract measure "E" from measure "D". Note this result "F".

$$D - E = F$$

The difference between result "F" and result "C" is the pinion shims thickness.

$$F - C = \text{Pinion shims thickness}$$

Determine the appropriate pinion shim using the following pinion gear shims kit (P/N JDG 703 500 049).

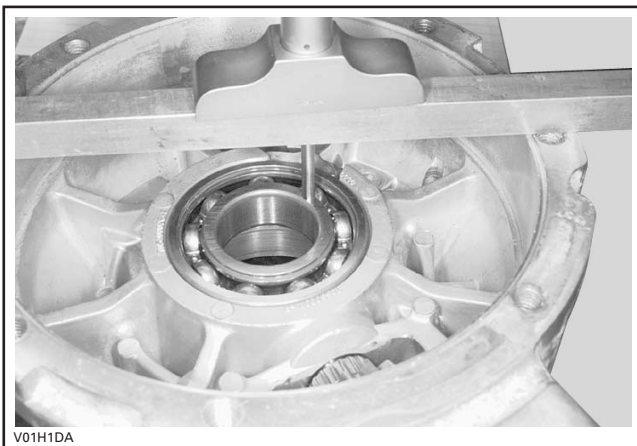
| Thickness | Notches |
|--------------------|---------|
| 0.25 mm (0.010 in) | 0 |
| 0.38 mm (0.015 in) | 1 |
| 0.51 mm (0.020 in) | 2 |
| 0.56 mm (0.022 in) | 4 |

Install pinion, shims, bearing and pinion nut. Apply Loctite 243 to nut and torque to 98 N•m (72 lb-ft).

Check if pinion gear teeth and ring gear teeth are equal.

After pinion installation, center ring gear carrier.

Take the half housing with pinion gear. Measure distance between housing edge and the inner ring of bearing. This is measure "G".



V01h1Da

DRIVE TRAIN REPAIR



V01h1Ga2.EPS

Measure the distance between the end of ring gear carrier and the bearing shoulder. Note this measure "M".



V01h11a2.EPS

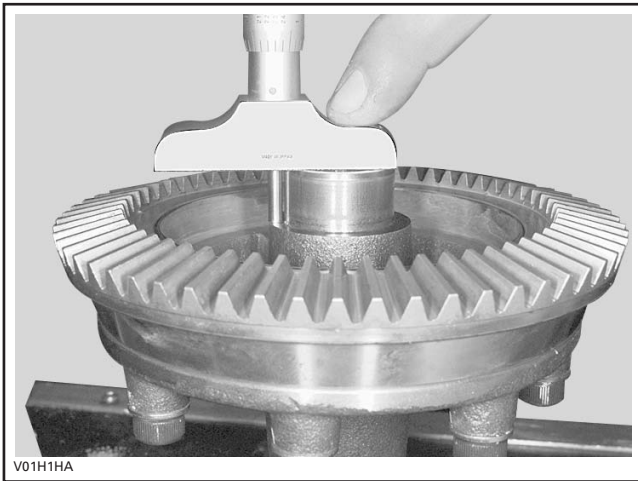
Add measure "M" from measure "N". Subtract this result from measure "L". Note this result "P".

The result "P" is the length of ring gear carrier between bearings.

$$L - (M + N) = P$$

Subtract result "P" from "K". At this measure subtract the clearance 0.127 mm (0.005 in). The result is the shim thickness.

$$K - P = X - 0.127 \text{ mm (0.005 in)} = \text{shim thickness}$$



V01h1Ha2.EPS

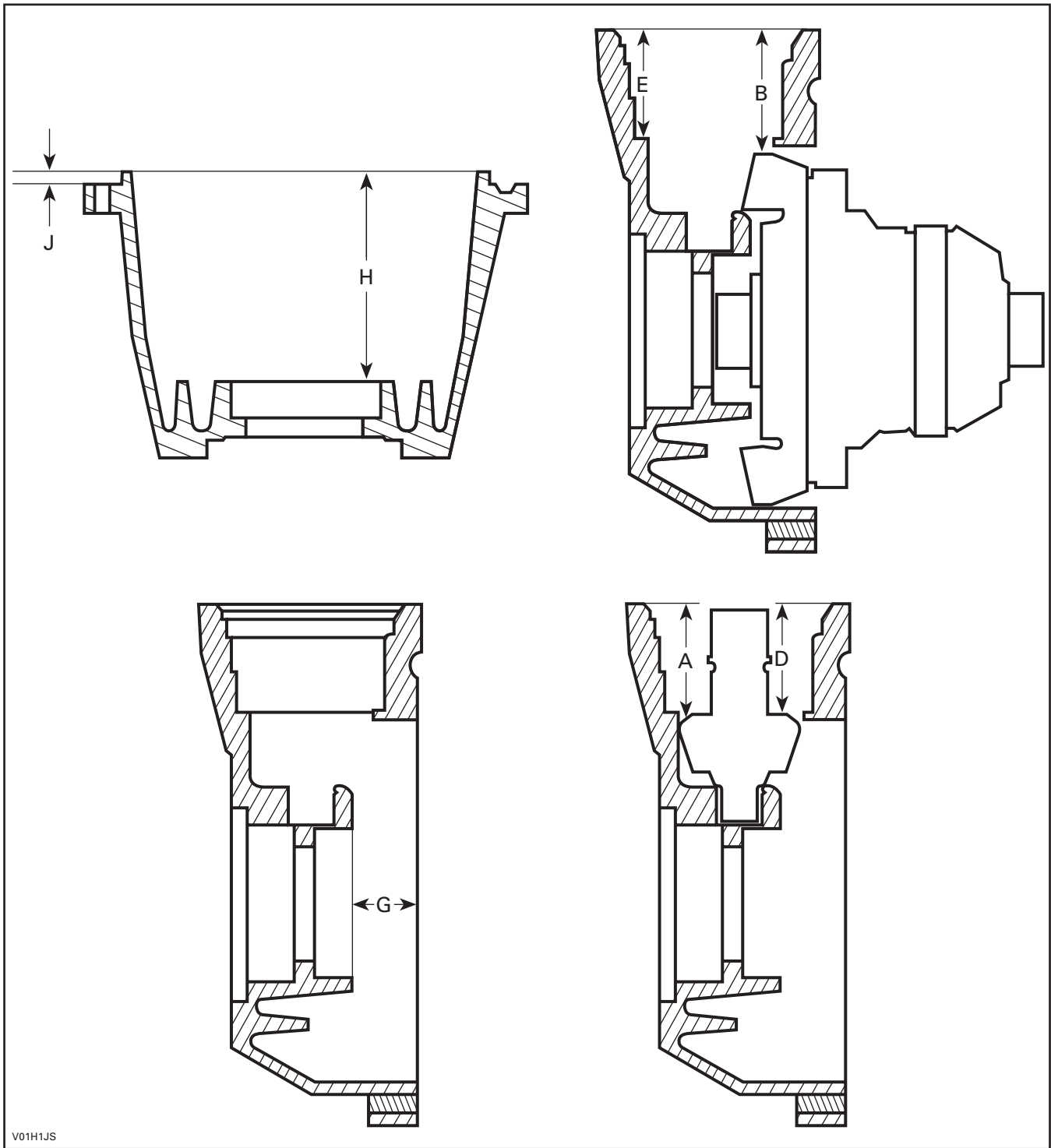
Take the same distance to the other end. This is measure "N".

| Thickness | Notches |
|--------------------|---------|
| 0.25 mm (0.010 in) | 0 |
| 0.38 mm (0.015 in) | 1 |
| 0.51 mm (0.020 in) | 2 |
| 0.64 mm (0.025 in) | 3 |
| 0.56 mm (0.022 in) | 4 |

Determine the appropriate shim using the following ring gear carrier shims kit.

Distribute total shim thickness between both end of ring gear carrier to obtain specified backlash between ring gear and pinion gear.

DRIVE TRAIN REPAIR



V01H1JS

V01h1Js2.EPS

Front Differential Oil Level:

Clean filler plug prior to check oil level.

With vehicle on a level surface, check oil level by removing filler plug. Oil level must reach the lower edge.

Add oil if necessary. Refer to "Specifications" section for capacity and recommended oil.

Assembly and Installation:

The differential assembly is essentially the reverse of the disassembly procedure. Pay attention to the following detail.

Install the differential on the vehicle before filling oil. Refer to "Specifications" section for recommended oil.

DRIVE TRAIN REPAIR

Front Differential Oil Change:

Place vehicle on a level surface. Set transmission in park position.

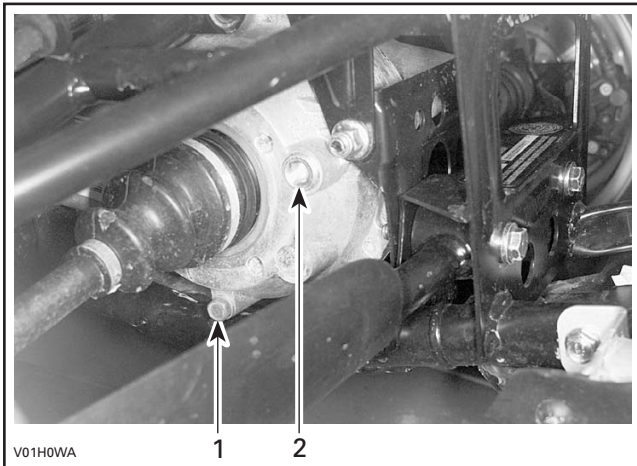
Lift LH side of vehicle.

Clean drain plug area.

Place a drain pan under differential drain plug area.

Remove drain plug.

Unscrew filler plug.



V01h0wa2.EPS

A - Drain Plug (1)

B - Filler Plug (2)

Clean drain plug area then reinstall plug.

Lower vehicle.

Use a funnel and refill front differential at the proper level with the recommended oil. Refer to "Specifications" section.

Reinstall filler plug.

Front Propeller Shaft

Removal:

Remove:

- engine skid plate
- RH inner fender.

Remove propeller shaft bolts and flat washers. One on engine side no. 17 and 18, one on differential side no. 19 and 20. Discard bolts.

Remove rubber bellows no. 15 on the top from the front differential.

Pull differential forward then separate propeller shaft no. 16 from differential and engine.

Inspection:

Check propeller shaft for wear or damage, replace if necessary.

Installation:

Installation is the reverse of removal procedure.

NOTE: Secure propeller shaft with a new self-locking screw no. 19. Use Loctite 271 on M8 screw no. 18.

Wheel Hub

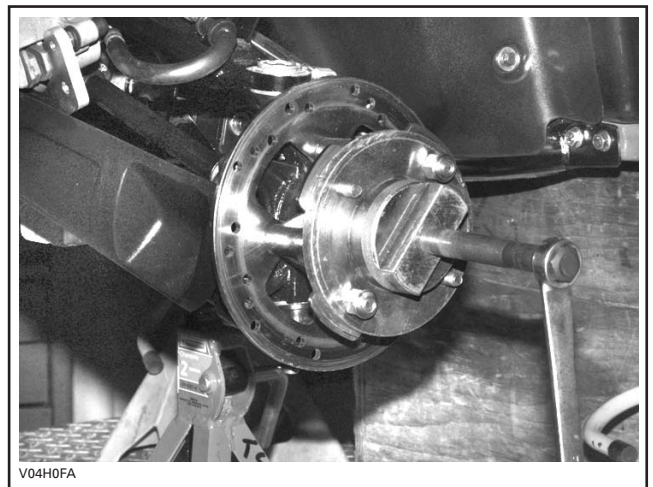
Removal:

Raise front of vehicle, support it securely on jack stands and remove front wheel(s).

Remove wheel cap, cotter pin, castellated nut, flat washer and O-ring.

NOTE: Check O-ring for damage, replace if necessary.

Use hub puller to extract the wheel hub.



V04h0fa2.EPS

Inspection:

Check O-ring for damage, replace if necessary.

Check wheel hub taper for scratches or other damages. Replace hub if necessary.

Check wear sleeve no. 33 for friction surface damage. Replace wear sleeve if damaged.

Installation:

The installation is the reverse of removal procedure but paying attention to the following details.

Use a press machine to insert wheel hub into knuckle.

Check if bearing turns smoothly.

Always install new cotter pins.

DRIVE TRAIN REPAIR

Knuckle

NOTE: *It is possible to remove the knuckle with the wheel hub assembly. To do so, remove the castellated nut retaining drive shaft and continue the following procedure without removing hub.*

Removal:

Remove hub.

Remove cotter pin and castellated nut from upper and lower A-arms.

Detach upper and lower A-arms from knuckle.

Remove cotter pin and castellated nut from tie-rod and separate tie-rod from knuckle.

Separate knuckle from drive shaft.

Inspection:

Inspect knuckle for damage.

If any damage is detected, change the knuckle.

Installation:

For installation, reverse the removal procedure. Pay attention to the following details.

Reinstall front wheel(s) and torque nuts to 75 N•m (55 lb-ft) in a criss-cross sequence.

NOTE: *Do not interchange left and right tires. Install them according to rotation mark on their sidewall.*

Wheel Bearing

Inspection:

Raise front of vehicle.

NOTE: *First check suspension ball joints play. Perform all repairs before checking the wheel bearing condition. Be careful not to mistake suspension ball joint play for wheel bearing play.*

Take tire by the top and the bottom. Check lateral play.

If there is any play, change wheel bearing.

Removal:

Separate wheel hub from knuckle.

Remove:

- knuckle
- seals and circlip.

Place knuckle on a workshop press.

Remove and discard bearing.

Installation:

Place new bearing in a freezer for 10 minutes before installation.

Place the knuckle in oven to 100°C (212°F) for a half hour maximum to ease bearing installation.

Press bearing into knuckle.

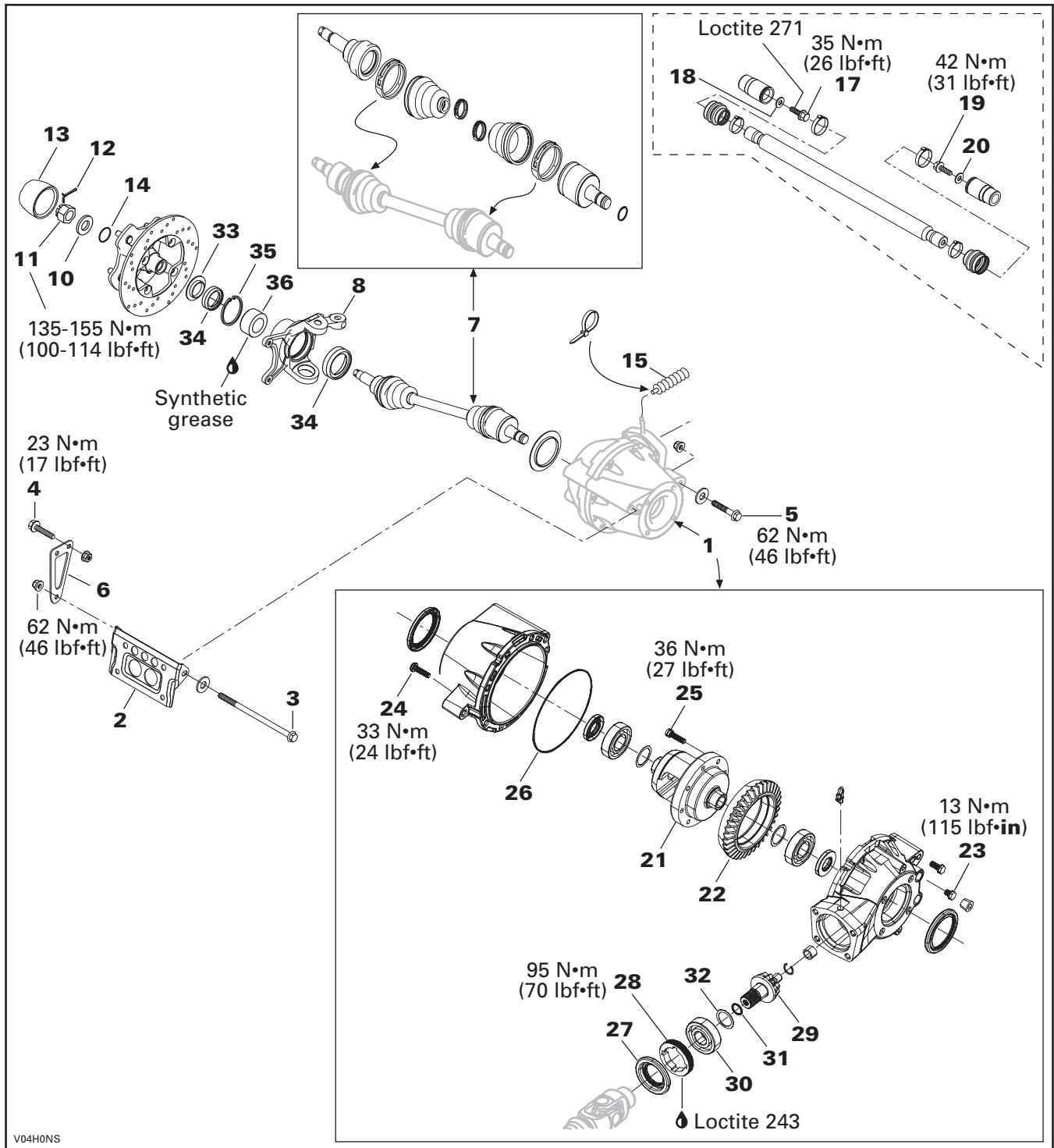
When the knuckle is cold, apply synthetic grease on bearing then install the new seals.

Install the other parts in the reverse order of removal procedure.

DRIVE TRAIN FRONT DRIVE

Front Drive

Front Drive Components

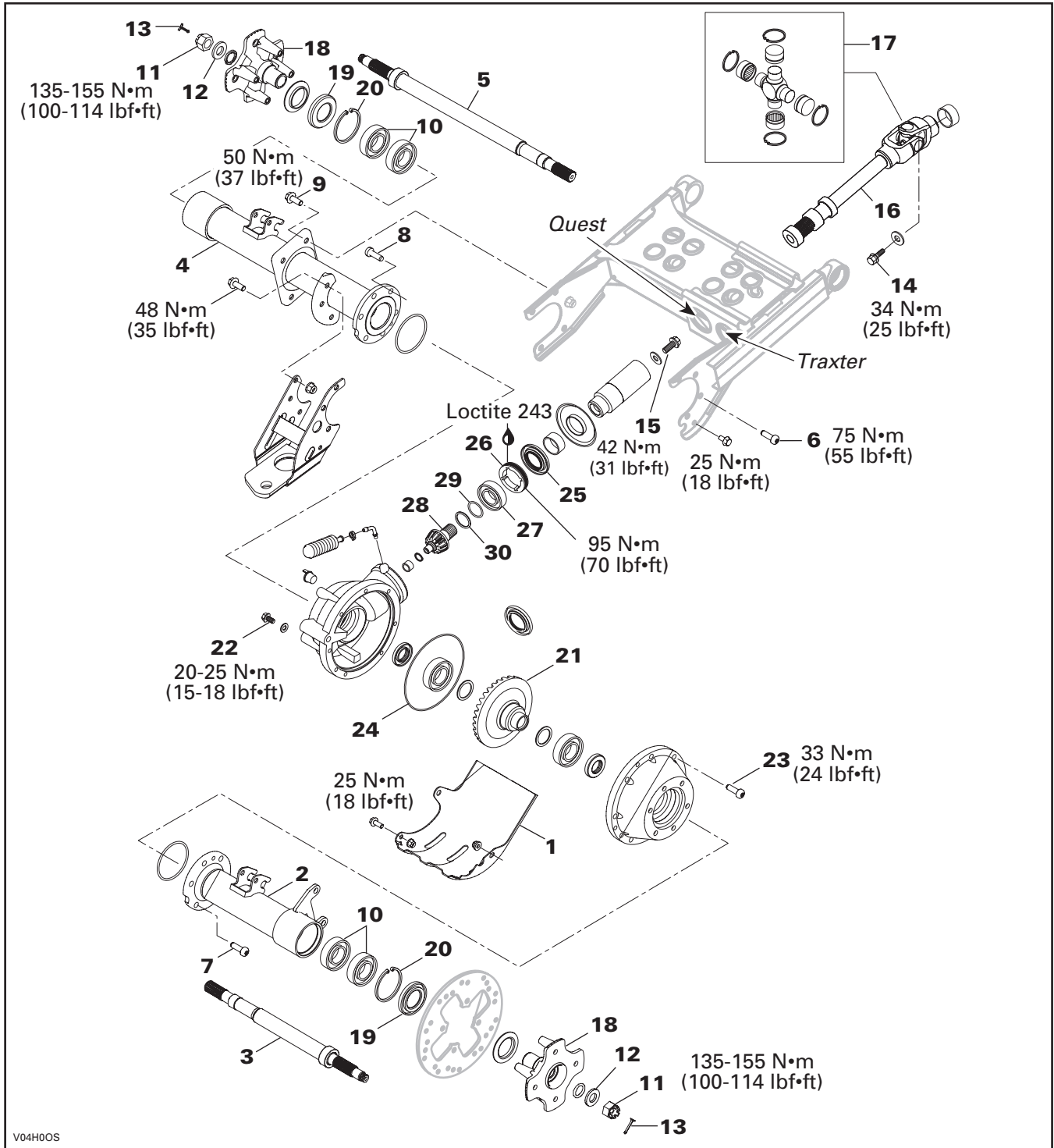


V04h0nsa2.EPS

DRIVE TRAIN REAR AXLE

Rear Axle

Rear Axle Components



Typical

DRIVE TRAIN REAR AXLE

General

The rear axle assembly has two axles, a differential, a hitch and a differential protector.

Each axle assembly consists of an axle, a housing and two bearings.

During assembly/installation, use torque values and service products as in the exploded view. Clean threads before applying thread locker.

IMPORTANT: Avoid damage! Torque wrench tightening specifications must strictly be adhered to.

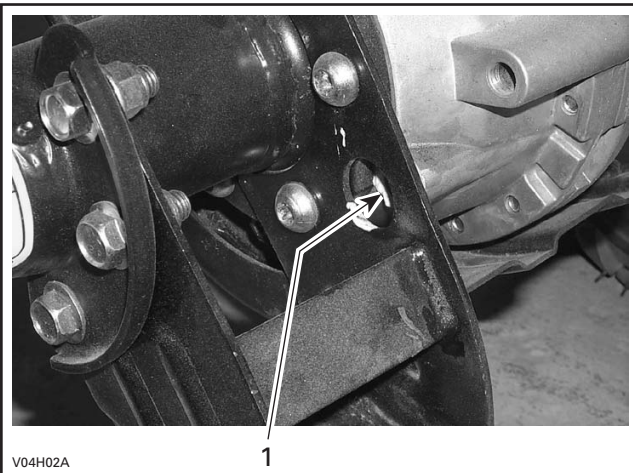
Locking devices (ex.: locking tabs, elastic stop nuts, self-locking fasteners, cotter pin, etc.) must be installed or replaced with new ones where specified. If the efficiency of a locking device is impaired, it must be renewed.

Rear Differential Oil Level

Park machine on a level surface.

Clean filler plug prior to check oil level. Check oil level by removing filler plug. Oil level must be between 25 and 32 mm (1.0 and 1.25 in.) below lower edge of filler hole.

It is possible to verify the oil level by inserting a wire with a 90° bend through the filler hole.



V04h02a2.EPS

A - Filter Plug (1)

IMPORTANT: Avoid damage! Do not overfill differential. Overfilling may result in oil leaking from the differential vent bellows.

Add or drain oil if necessary.

| Model | Capacity | Recommended oil |
|------------|----------------------|-----------------|
| All models | 200 mL (6.8 U.S. oz) | 80W90 (API GL5) |

Rear Differential Oil Replacement

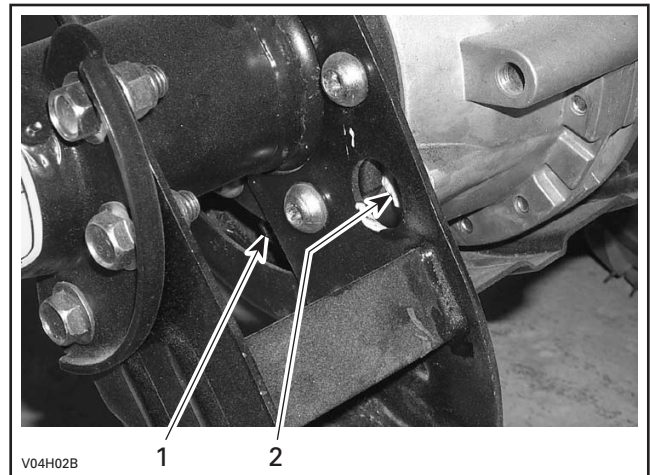
Ensure vehicle is on a level surface.

Clean drain plug area.

Place a drain pan under rear differential drain plug area.

Unscrew filler plug.

Remove drain plug.



V04h02b2.EPS

A - Drain Plug (1)

B - Filler Plug (2)

Clean drain plug area then reinstall drain plug.

IMPORTANT: Avoid damage! Do not overfill differential. Overfilling may result in oil leaking from the differential vent bellows.

When filling the differential it is easier to measure the correct quantity of oil before adding it than to measure the oil level to reach the proper level.

Oil level must be between 25 and 32 mm (1.0 and 1.25 in.) below lower edge of filler hole.

Use a funnel and refill rear differential at the proper level with recommended oil. See "Rear Differential Oil Level" above.

Reinstall filler plug.

DRIVE TRAIN REAR AXLE

Rear Axle Assembly

Removal:

Lift rear of the vehicle until rear shock absorbers are fully extended. Install jack stands under frame to support vehicle.

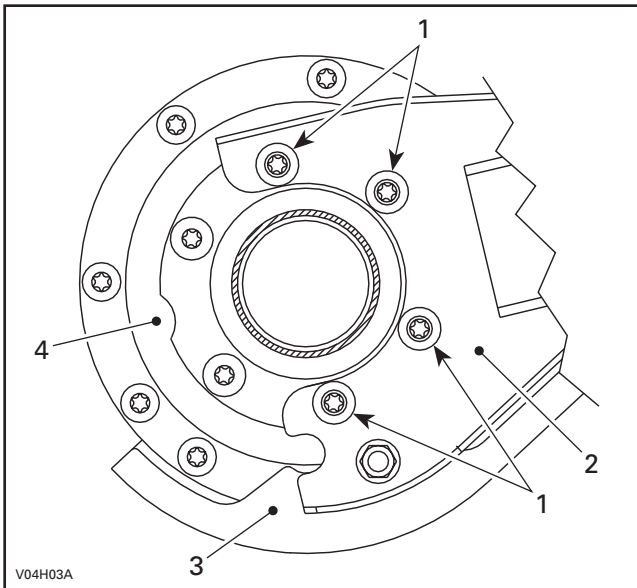
Remove rear wheels.

Remove lower shock absorber bolts.

Remove rear brake caliper and detach brake hose from bracket on rear axle.

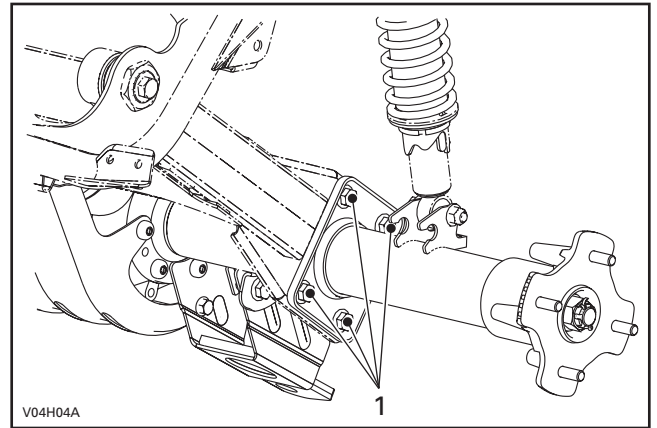
IMPORTANT: Avoid damage! Don't let caliper hang by the hose and don't stretch or twist brake hose.

Unscrew bolts no. 6 and no. 9 retaining rear axle assembly to swing arm. See the following illustrations.



RH Side

- A - Remove these bolts (1)**
- B - Swing Arm (2)**
- C - Differential Protector (3)**
- D - Rear Differential (4)**



LH Side

A - Remove these bolts (1)

Detach rear axle assembly from swing arm.

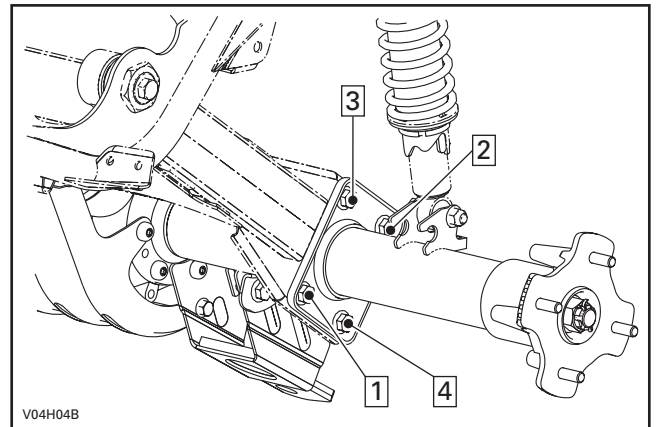
Installation:

Installation is essentially the reverse of removal procedure. Paying attention to the following details.

Apply grease on the end of propeller shaft.

Install all bolts before torquing.

On the LH side, torque the hexagonal bolts no. 9 in a criss-cross sequence. See the following illustration.



Torque to 48 N•m (35 lb-ft)

RH Axle

RH Axle Housing Removal:

Lift rear of the vehicle. Install jack stands under swing arm.

Remove:

- wheel and wheel cap
- cotter pin no. 13



Suggest:

If the above button click is invalid.

Please download this document

first, and then click the above link

to download the complete manual.

Thank you so much for reading

DRIVE TRAIN REAR AXLE

NOTE: Discard the cotter pin. At installation, use a new cotter pin.

- castellated nut no.11
- flat washer no. 12
- caliper

IMPORTANT: Avoid damage! Don't let caliper hang by the hose and don't stretch or twist brake hose.

- rear differential protector no. 1
- lower bolt retaining RH shock from axle housing.

Unfasten TORX head screws no. 6 and no. 7 retaining RH axle housing no. 2 from rear differential.

Remove axle housing then pull out axle no. 3.

Inspection:

Check axle housing for wear or other damage, replace if necessary.

Check axle for wear, cracks, bend, spots of rust, or other damage. Change the axle if any problem is detected.

Check all axle housing ball bearings no. 10 for excessive play and smooth operation. Replace if necessary.

Installation:

For installation, reverse the removal procedure. paying attention to the following details.

Apply grease on splines.

Torque castellated nut no.11 to 135-155 N•m (100-114 lb-ft).

NOTE: Always install a new cotter pin when the axle is reinstalled.

LH Axle

LH Axle Housing Removal:

Lift rear of the vehicle. Install a jack stand under swing arm and another under rear differential.

Remove:

- wheel and wheel cap
- cotter pin no. 13

NOTE: Discard the cotter pin. At installation, use a new cotter pin.

- castellated nut no.11
- flat washer no. 12
- rear differential protector no. 1
- lower bolt retaining LH shock from axle housing.

Unfasten TORX head screws no. 8 retaining LH axle housing no. 4 from rear differential.

Remove axle housing then pull out axle no. 5.

Inspection:

Check axle housing for wear or other damage, replace if necessary.

Check axle for wear, cracks, bend, spots of rust, or other damage. Change the axle if any problem is detected.

Check all axle housing ball bearings for excessive play and smooth operation. Replace if necessary.

Installation:

For installation, reverse the removal procedure. paying attention to the following details.

Apply grease on splines.

Torque castellated nut no. 11 to 135-155 N•m (100-114 lb-ft).

NOTE: NOTE: Always install a new cotter pin when the axle is reinstalled.

Rear Propeller Shaft

Removal:

Remove swing arm with rear axle assembly. Refer to REAR SUSPENSION.

Remove the propeller shaft bolt no. 14 and flat washer.

Separate rear propeller shaft no. 16 from engine.

Inspection:

Check yoke U-joint no. 17 for wear, backlash or axial play, replace if necessary.

Inspect engine seal for damage or leak. Replace if necessary.

Installation:

Installation is essentially the reverse of removal procedure. Pay attention to the following details.

Apply grease to splines of transmission output shaft.

Apply grease to splines before inserting the end of the propeller shaft into differential.

Grease U-joint from rear propeller shaft. Use a grease gun with SHELL, Alvania EP-2 grease only.

Rear Propeller Shaft U-Joint:

Follow the same procedure as for the front propeller shaft U-joint.

Refer to FRONT DRIVE subsection.

<https://www.ebooklibonline.com>

Hello dear friend!

Thank you very much for reading.

Enter the link into your browser.

The full manual is available for immediate download.

<https://www.ebooklibonline.com>