

# 4055, 4255, and 4455 Tractors Repair

For complete service information also see:

4055, 4255, and 4455 Tractors

Operation and Tests . . . . .	TM1459
6076 Engine . . . . .	CTM6
Radial Piston Pumps . . . . .	CTM7
Engine Accessories . . . . .	CTM11
MFWD Axles, 1100 Series . . . . .	CTM17

John Deere Waterloo Works  
TM1458 (09JUL01)

LITHO IN U.S.A.  
ENGLISH

## FOREWORD

This manual is written for an experienced technician. Essential tools required in performing certain service work are identified in this manual and are recommended for use.

Live with safety: Read the safety messages in the introduction of this manual and the cautions presented throughout the text of the manual.



This is the safety-alert symbol. When you see this symbol on the machine or in this manual, be alert to the potential for personal injury.

Technical manuals are divided in two parts: repair and diagnostics. Repair sections tell how to repair the components. Diagnostic sections help you identify the majority of routine failures quickly.

Information is organized in groups for the various components requiring service instruction. At the beginning of each group are summary listings of all applicable essential tools, service equipment and tools, other materials needed to do the job, service parts kits, specifications, wear tolerances, and torque values.

Binders, binder labels, and tab sets can be ordered by John Deere dealers direct from the John Deere Distribution Service Center.

This manual is part of a total product support program.

### FOS MANUALS—REFERENCE

### TECHNICAL MANUALS—MACHINE SERVICE

### COMPONENT MANUALS—COMPONENT SERVICE

Fundamentals of Service (FOS) Manuals cover basic theory of operation, fundamentals of troubleshooting, general maintenance, and basic type of failures and their causes. FOS Manuals are for training new personnel and for reference by experienced technicians.

Technical Manuals are concise guides for specific machines. Technical manuals are on-the-job guides containing only the vital information needed for diagnosis, analysis, testing, and repair.

Component Technical Manuals are concise service guides for specific components. Component technical manuals are written as stand-alone manuals covering multiple machine applications.

# Contents

## SECTION 10—GENERAL INFORMATION

- Group 05—Safety
- Group 10—Machine Specifications
- Group 15—Predelivery Service
- Group 20—Tune-Up
- Group 25—Lubrication

## SECTION 15—SEPARATION

- Group 05—Front Axle
- Group 10—Front End
- Group 15—Front End and Engine
- Group 20—Engine
- Group 25—SOUND-GARD Body
- Group 30—Power Shift Clutch Housing
- Group 35—QUAD-RANGE Clutch Housing
- Group 40—Transmission
- Group 45—Final Drive
- Group 50—Hi-Crop Final Drive

## SECTION 20—ENGINE

- Group 05—Service
- Group 10—Cooling System
- Group 15—Dynamometer Test and Engine Break-In

## SECTION 30—FUEL AND AIR

- Group 05—Air Intake System
- Group 10—Diesel Fuel System

## SECTION 40—ELECTRICAL REPAIR

- Group 05—Connector Repair
- Group 10—Harness Replacement
- Group 15—Alternator
- Group 20—Starting Circuit Replacement
- Group 25—Lighting Circuit Repair
- Group 30—INTELLITRAK Monitoring System
- Group 35—Accessory Components
- Group 40—Auxiliary Lighting & Electrical Components (European Version)

## SECTION 50—POWER TRAIN--QUAD-RANGE TRANSMISSION

- Group 05—Clutch Control Valve
- Group 10—Clutch Operating Piston Housing

- Group 15—Perma-Clutch
- Group 20—Quad-Range Planetary
- Group 25—Quad-Range Transmission and Charge Pump
- Group 30—Shift Lever Assembly
- Group 35—PTO Gear Train
- Group 40—Adjust PTO Clutch Rod

## SECTION 55—POWER TRAIN--POWER SHIFT TRANSMISSION

- Group 05—Remove/Install Traction Clutch Valve Housing
- Group 10—Traction Clutch Valve Housing
- Group 15—Remove/Install Transmission Control Valve Housing
- Group 20—Transmission Control Valves and Accumulators
- Group 25—Remove/Install Traction Clutch
- Group 30—Traction Clutch and Drive Shaft
- Group 35—Input Planetary
- Group 40—Reduction Gear Train
- Group 45—Output Planetary
- Group 50—Speed Selector Assembly
- Group 55—Charge Pump Assembly
- Group 60—PTO Gear Train With MFWD
- Group 65—PTO Gear Train Without MFWD
- Group 70—Adjust PTO Clutch Rod
- Group 75—MFWD Gear Train
- Group 80—MFWD Clutch

## SECTION 56—DIFFERENTIAL AND FINAL DRIVE

- Group 05—Differential
- Group 10—Differential Lock Valve
- Group 15—Final Drive
- Group 20—Hi-Crop Final Drive

## SECTION 60—STEERING AND BRAKES

- Group 05—Remove/Install Power Steering Components
- Group 10—Steering Column
- Group 15—Metering Pump
- Group 20—Steering Valve
- Group 25—Steering Motor

Continued on next page

*All information, illustrations and specifications in this manual are based on the latest information available at the time of publication. The right is reserved to make changes at any time without notice.*

TM1458-19-09JUL01

COPYRIGHT© 1990  
DEERE & COMPANY  
Moline, Illinois  
All rights reserved  
A John Deere ILLUSTRATION™ Manual

**<https://www.ebooklibonline.com>**

Hello dear friend!

Thank you very much for reading.

Enter the link into your browser.

The full manual is available for immediate download.

**<https://www.ebooklibonline.com>**

10 Group 30—Remove/Install Brake Valve & Brake Accumulator

Group 35—Brake Valve

Group 40—Brake Accumulator

Group 45—Bleed Brakes & Test Brake Accumulator

Group 50—Brake Pistons, Plates and Disks

15 Group 55—Auxiliary Tractor Brake (European Version)

Group 60—Secondary Brake (European Version)

Group 65—Auxiliary Steering System (European Version)

20 **SECTION 70—HYDRAULICS**

Group 05—Hydraulic System Repair

Group 10—Main Hydraulic Pump

Group 15—Oil Filter Relief Valve and Return Oil Manifold

30 Group 20—Hydraulic Oil Cooler and Bypass Valve

Group 25—Rockshaft and Lift Assist Cylinders

Group 30—Draft Sensing Components

Group 35—Hitch Control Valve

40 Group 40—Control Valves

Group 45—Selective Control Valves and Breakaway Couplers

Group 50—Transmission-Hydraulic Cleanup

Group 55—Remote Cylinder

50 **SECTION 80—MISCELLANEOUS**

Group 05—Rear Wheels

Group 10—Front Axle

55 **SECTION 90—OPERATOR STATION REPAIR**

Group 05—Air Conditioning System

Group 10—Air Conditioning System Service

Group 15—Heating System

Group 20—Seat

Group 25—ROPS and SOUND-GARD Body

56 **SECTION 99—DEALER FABRICATED TOOLS**

Group 05—Fabricated Tools

60 **Index**

70

# Section 10 GENERAL INFORMATION

## Contents

Page

### Group 05—Safety

### Group 10—Machine Specifications

General Specifications . . . . .	10-10-1
Abbreviations . . . . .	10-10-3
Torque Charts . . . . .	10-10-4

### Group 15—Predelivery Service

Dealer Predelivery Service . . . . .	10-15-1
Predelivery Specifications . . . . .	10-15-2

### Group 20—Tune-Up

Essential Tools . . . . .	10-20-1
Specifications . . . . .	10-20-1
Perform Tractor Tune-Up . . . . .	10-20-2

### Group 25—Lubrication

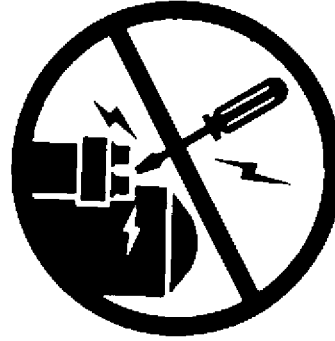
Lubricate Tractor Properly . . . . .	10-25-1
Diesel Engine Oil . . . . .	10-25-1
Use Correct Hyd-Trans Filter Element . . . . .	10-25-2
Grease . . . . .	10-25-3
Gear Oil . . . . .	10-25-3
Alternative Lubricants . . . . .	10-25-4
Store Lubricants Correctly . . . . .	10-25-4
Lubrication Specifications and Service Intervals . . . . .	10-25-5

### PREVENT MACHINE RUNAWAY

Avoid possible injury or death from machinery runaway.

Do not start engine by shorting across starter terminals. Machine will start in gear if normal circuitry is bypassed.

NEVER start engine while standing on ground. Start engine only from operator's seat, with transmission in neutral or park.



DX,BYPAS1 -19-04JUN90

10  
05  
-UN-11JAN89  
TS177

### HANDLE FLUIDS SAFELY—AVOID FIRES

When you work around fuel, do not smoke or work near heaters or other fire hazards.

Store flammable fluids away from fire hazards. Do not incinerate or puncture pressurized containers.

Make sure machine is clean of trash, grease, and debris.

Do not store oily rags; they can ignite and burn spontaneously.



DX,FLAME -19-04JUN90

-UN-23AUG88  
TS227

### PREVENT BATTERY EXPLOSIONS

Keep sparks, lighted matches, and open flame away from the top of battery. Battery gas can explode.

Never check battery charge by placing a metal object across the posts. Use a volt-meter or hydrometer.

Do not charge a frozen battery; it may explode. Warm battery to 16°C (60°F).



DX,SPARKS -19-04JUN90

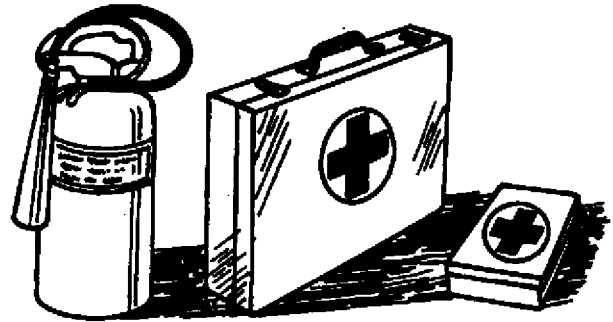
-UN-23AUG88  
TS204

## PREPARE FOR EMERGENCIES

Be prepared if a fire starts.

Keep a first aid kit and fire extinguisher handy.

Keep emergency numbers for doctors, ambulance service, hospital, and fire department near your telephone.



TS291 -JUN-23AUG88

DX,FIRE2 -19-04JUN90

## PREVENT ACID BURNS

Sulfuric acid in battery electrolyte is poisonous. It is strong enough to burn skin, eat holes in clothing, and cause blindness if splashed into eyes.

Avoid the hazard by:

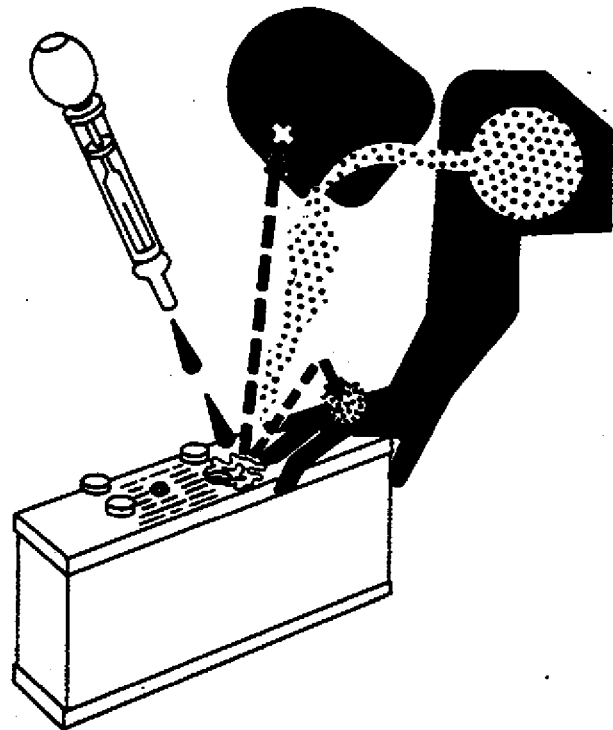
1. Filling batteries in a well-ventilated area.
2. Wearing eye protection and rubber gloves.
3. Avoiding breathing fumes when electrolyte is added.
4. Avoiding spilling or dripping electrolyte.
5. Use proper jump start procedure.

If you spill acid on yourself:

1. Flush your skin with water.
2. Apply baking soda or lime to help neutralize the acid.
3. Flush your eyes with water for 10—15 minutes. Get medical attention immediately.

If acid is swallowed:

1. Drink large amounts of water or milk.
2. Then drink milk of magnesia, beaten eggs, or vegetable oil.
3. Get medical attention immediately.



TS203 -JUN-23AUG88

DX,POISON -19-04JUN90

**GENERAL SPECIFICATIONS**

**POWER:**

PTO (Factory observed at 2200 rpm)

4055	105 hp (78.3 kW)
4255	120 hp (89.5 kW)
4455	140 hp (104.4 kW)

**ENGINE:**

Type	Diesel
Aspiration	Turbocharged
Cylinders	In-line 6
Slow idle speed	850 rpm
Governed speed range	800—2400 rpm
Operating speed range	1500—2200 rpm
Bore and stroke	4.56 x 4.765 in. (115.8 x 120.7 mm)
Compression ratio	16.0:1
Displacement	466 cu. in. (7.6 L)
Firing order	1-5-3-6-2-4
Valve clearance	
Intake	0.015 in. (0.38 mm)
Exhaust	0.020 in. (0.51 mm)
Lubrication system	Full Pressure-full Flow Filtration

**HYDRAULIC SYSTEM:**

Type	Closed-center, Pressure Compensating
Pump	8-Piston, Variable Displacement
Pump displacement	3 cu. in. (50 cm <sup>3</sup> )
Standby pressure	2530 psi (17 500 kPa) (175 bar)

**CAPACITIES:**

Fuel tank	65 gal (246 L)
Cooling system	27 qt (25.6 L)
Crankcase with filter	18 qt (17.0 L)
Transmission-hydraulic system	
Power Shift	13.5 gal (51 L)
Power Shift with MFWD	15.9 gal (60 L)
QUAD-RANGE	16 gal (60.5 L)
QUAD-RANGE with MFWD	17.2 gal (65.1 L)
Mechanical-Front-Wheel-Drive	
Wheel Hubs	2 qt (1.9 L)
Axle Housing	12 qt (11.4 L)

RX14581010,1 -19-09OCT90

**DIMENSIONS (Standard Tires):**

<b>WHEELBASE</b>	
Two-Wheel Drive . . . . .	2710 mm (106.7 in.)
MFWD . . . . .	2675 mm (105.3 in.)
Hi-Crop . . . . .	2715 mm (107 in.)
<b>LENGTH (less hitch and drawbar)</b>	
Two-Wheel Drive . . . . .	4028 mm (158.6 in.)
MFWD . . . . .	4023 mm (158.4 in.)
Hi-Crop . . . . .	4034 mm (159 in.)
<b>OVERALL WIDTH (axle length)</b>	
Regular axle—4055, 4255, 4455 . . . . .	2438 mm (96 in.)
Long axle—4055 and 4255 . . . . .	2870 mm (113 in.)
Long axle—4455 . . . . .	2769 mm (109 in.)
Extra Long axle—4455 . . . . .	3023 mm (119 in.)
<b>OVERALL HEIGHT (top of SOUND-GARD body)</b>	
Two-Wheel Drive . . . . .	2957 mm (116.4 in.)
MFWD . . . . .	2959 mm (116.5 in.)
Hi-Crop . . . . .	3282 mm (129.3 in.)

**SHIPPING WEIGHT (average):**

With QUAD-RANGE transmission and most popular wheel equipment, less SOUND-GARD

4055 . . . . .	5029 kg (11089 lb)
4255 . . . . .	5331 kg (11755 lb)
4455 . . . . .	5780 kg (12745 lb)

With Power Shift transmission and most popular wheel equipment, with SOUND-GARD

4055 . . . . .	5665 kg (12489 lb)
4255 . . . . .	5966 kg (13155 lb)
4455 . . . . .	6415 kg (14145 lb)
Hi-Crop with standard equipment . . . . .	6063 kg (13369 lb)

## ESSENTIAL TOOLS

*NOTE: Order tools from your SERVICE-GARD™ Catalog. Some tools may be available from a local supplier.*

DX,TOOLS -19-04JUN90

Flywheel Turning Tool . . . . . JDE81-1

RG4950 -UN-23AUG88

Turn engine flywheel

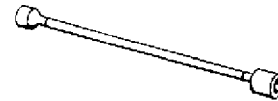


JDE81,1A -19-10APR90

Socket Extension . . . . . JDG16A

RW18130 -UN-09OCT90

Remove and install clutch housing

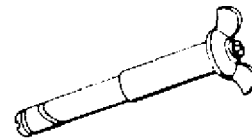


JDG16A -19-18SEP90

Filter Relief Valve Removal Tool . . . . . JDG268

RW18148 -UN-20APR90

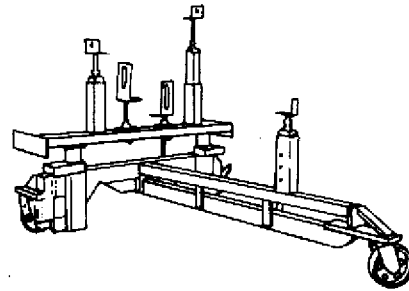
Remove and install clutch oil manifold tubes



JDG268.A -19-19SEP90

Medium Duty Front Tractor Splitting Stand . . . JT05724

Support front end during splitting

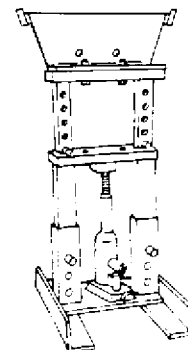


JT05724 -19-09AUG90

RW18156 -UN-20APR90

Universal Support Stand . . . . . JT05725

Supports tractor during splitting



JT05725 -19-20JUL90

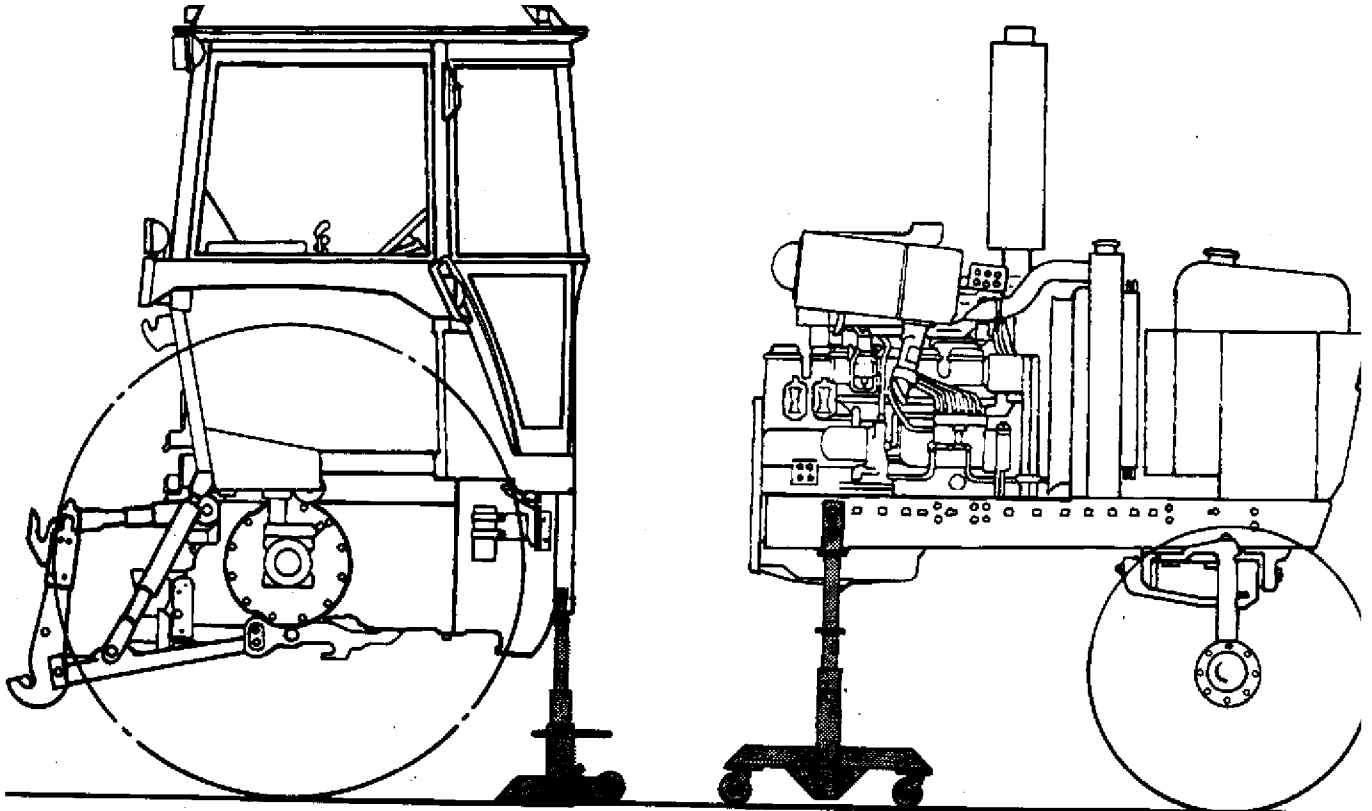
RW15663 -UN-30MAR89

**SPECIFICATIONS**

Item	Measurement	Specification
Clutch Housing-to-Engine	Torque	365 N·m (270 lb-ft)
Oil Pan-to-Clutch Housing	Torque	163 N·m (120 lb-ft)
Center Link Bracket-to-Transmission (QRT)	Torque	407 N·m (300 lb-ft)
Driveshaft-to-Front Axle Yoke (w/MFWD)	Torque	68 N·m (50 lb-ft)

RX14581515.1 -19-01OCT90

**FRONT END AND ENGINE SEPARATION**



RW6983L -JUN-17A PR89

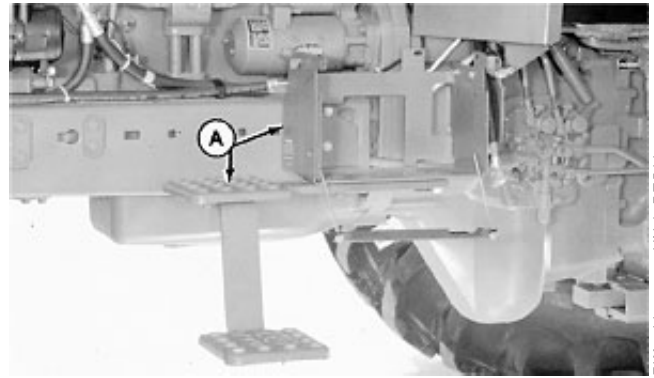
RX14581515.2 -19-19SEP90

## REMOVE FRONT END AND ENGINE

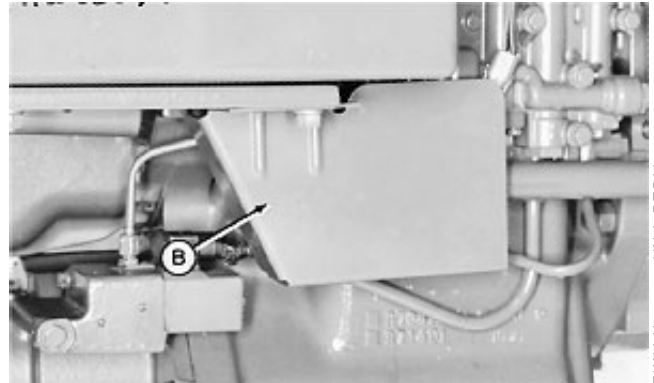
1. Disconnect battery ground cable.
2. Disconnect and remove batteries.
3. Remove right-hand battery box and left-hand battery box step assembly (A).

**For tractor with MFWD, perform Step 3a.**

- 3a. Remove clutch valve wiring shield (B) with battery box step assembly.
4. Remove side shields, screens, and hood.



FW5520 -UN-05DEC88



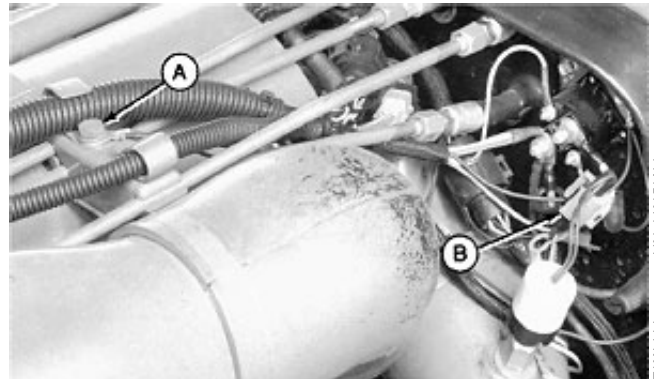
FW6940 -UN-05DEC88

RX14581515.3 -19-19SEP90

5. Drain cooling system at radiator and engine drain on left hand of cylinder block.

**⚠ CAUTION: Care should be taken when servicing any refrigerant air conditioning system or handling refrigerant lines to avoid personal injury.**

6. Disconnect air conditioning lines at couplers under left front corner of SOUND-GARD body.
7. Remove riser panel and pull lines forward to air conditioning compressor.
8. Disconnect air conditioning electrical connectors and move wiring rearward to SOUND-GARD body.
9. Disconnect starter electrical connections and move wiring rearward to SOUND-GARD body.
10. Disconnect heater hoses.
11. Disconnect wiring harness ground wires (A), air restriction indicator (B).

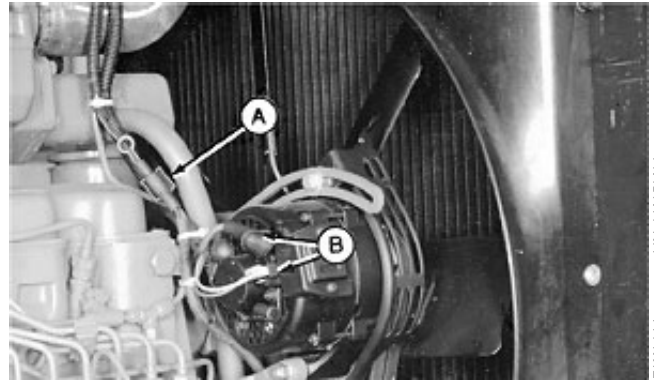


FW6188 -UN-10NOV88

RX14581515.4 -19-19SEP90

Front End and Engine/Remove Front End and Engine

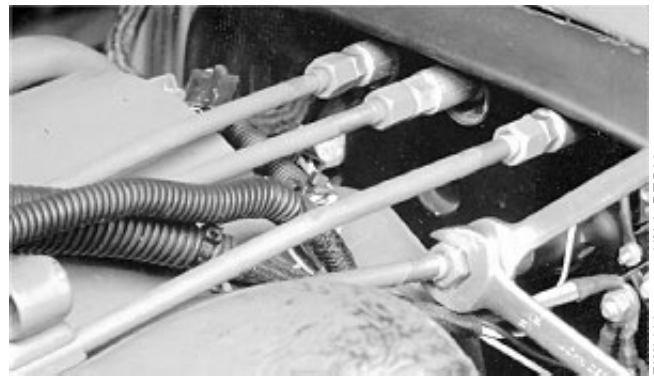
12. Disconnect tachometer sensor wiring connector (A).
13. Disconnect alternator electrical connectors (B), and route rearward to SOUND-GARD body.
14. Disconnect ether starting aid electrical connector.
15. Route steering motor bleed line from under left front of SOUND-GARD body to front of tractor.
16. Disconnect cooler return oil line at hose connection next to SOUND-GARD body.



-UN-10NOV88  
RW6190

RX14581515.5 -19-19SEP90

17. Disconnect steering lines at SOUND-GARD body.
18. Disconnect engine oil pressure sensor.
19. Disconnect throttle control linkage.
20. Disconnect fuel shut-off cable.



-UN-05DEC88  
RW6193

RX14581515.6 -19-19SEP90

15  
15  
4

21. Remove MFWD drive shaft if equipped.

**CAUTION: DO NOT apply excessive lifting force to support tractor. Binding could occur during separation.**

22. Attach JT05724 Splitting Stand to side frames and support tractor.

*NOTE: Remove front weights from tractor if equipped.*

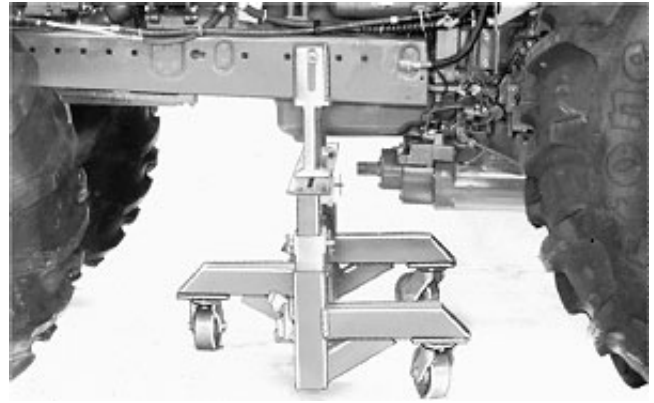
23. Support tractor at clutch housing with JT05725 Universal Support Stand.

*NOTE: For tractor with QRT, use DFRW31 Support Stand Adapter (A). (See Dealer Fabricated Tools, Section 99.)*

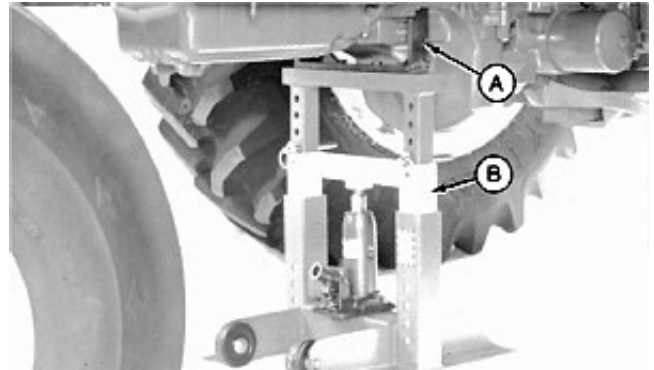
24. Disconnect main pump charge line from pressure regulating valve housing.

25. Disconnect main pump pressure line from pressure control valve.

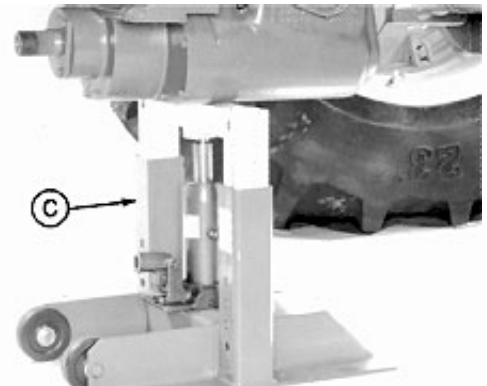
**A—Support Stand Adapter  
B—QUAD-RANGE Tractor  
C—MFWD Tractors**



RW7504 -UN-25JAN89



RW7409 -UN-05JAN89



RW7410 -UN-05JAN89

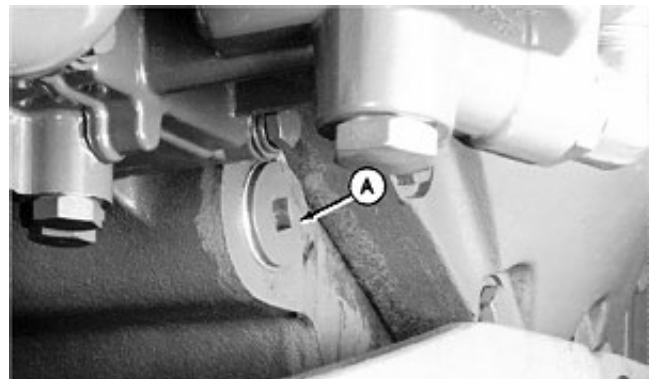
RX14581515.7 -19-19SEP90

**For tractor with QRT, perform Steps 26a, 27a, 28a, and 29a.**

26a. Remove plug (A) from transmission and drain hydraulic oil.

27a. Remove center link of hitch.

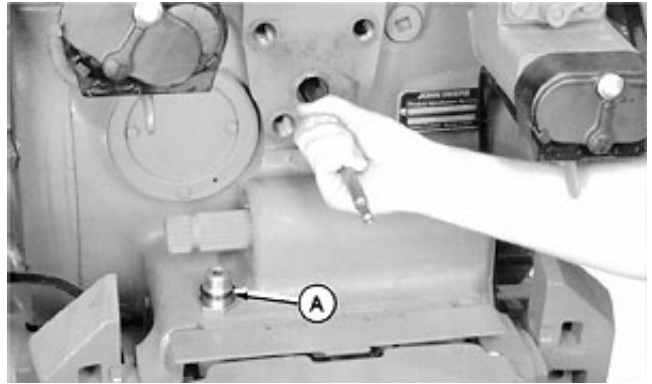
28a. Remove center link attaching bracket.



RW7505 -UN-05JAN89

RX14581515.8 -19-19SEP90

29a. Remove transmission oil pump drive shaft plug (A), and pull pump drive shaft from transmission case.



RX14581515,9 -19-19SEP90

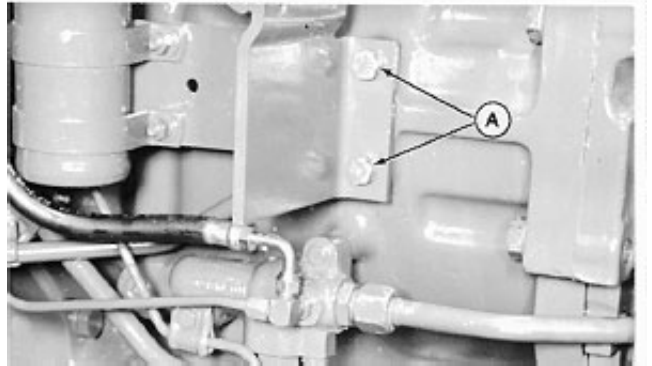
RW7508 -UN-05JAN89

**For tractor with PST, perform Steps 26b, 27b, 28b, 29b, 30b and 31b.**

26b. Drain hydraulic oil from clutch housing.

27b. Loosen right-hand front SOUND-GARD body mounting bolt.

28b. Remove SOUND-GARD body mounting bracket cap screws (A) and swing mounting bracket away from clutch housing.

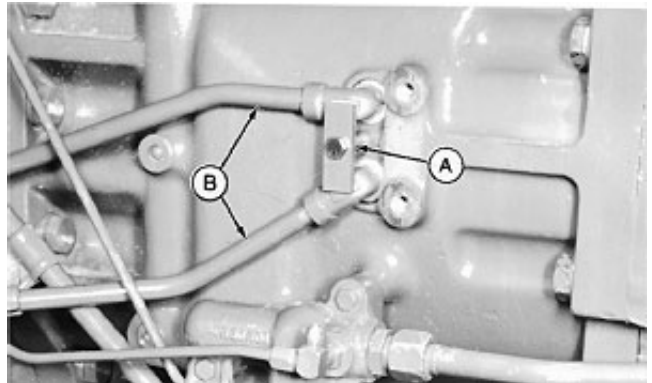


RX14581515,10 -19-19SEP90

RW15588 -UN-02MAR89

29b. Remove clutch oil manifold line clamp (A).

30b. Remove C<sub>1</sub> and C<sub>2</sub> oil lines (B) from tractor.

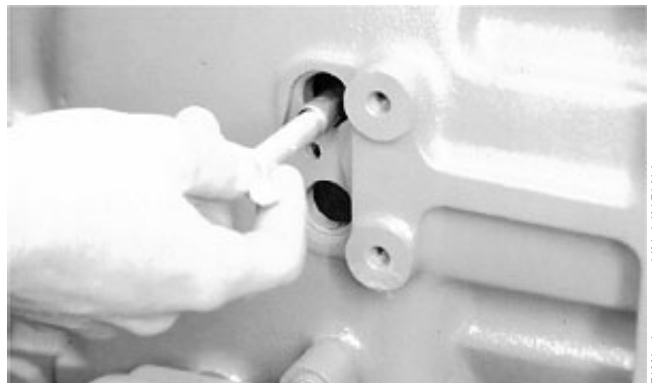


RX14581515,11 -19-19SEP90

RW15589 -UN-02MAR89

*NOTE: Use care in removing clutch oil manifold tubes to avoid dropping tubes into clutch housing.*

31b. Remove clutch oil manifold tubes from clutch housing using a JDG268 Filter Relief Valve Removal Tool.



RX14581515,12 -19-19SEP90

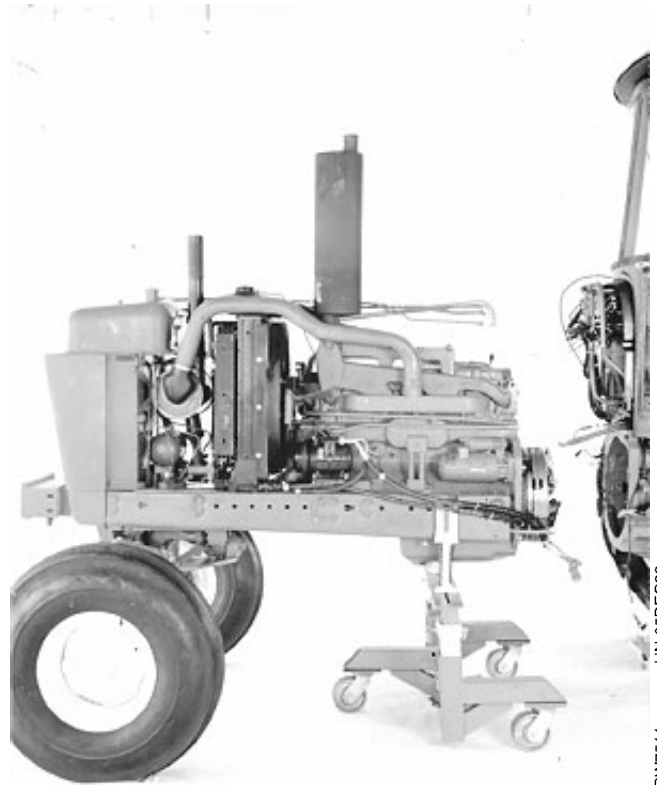
RW6787 -UN-14NOV88

## SEPARATE FRONT-END AND ENGINE FROM CLUTCH HOUSING

1. Remove floor mat and control support cover.
2. Remove top two clutch housing-to-engine cap screws located under control support using a JDG16A Special Torque Wrench Extension.
3. Remove six oil pan-to-clutch housing cap screws and six remaining clutch housing-to-engine cap screws.

**IMPORTANT:** During separation, clutch shafts can become disengaged and fall out. Take precautions to insure shafts stay with clutch housing.

4. Carefully roll front end and engine away from clutch housing.



15  
7

RW7511 -JUN-05DEC88

RX14581515,13 -19-19SEP90

## INSTALL FRONT-END AND ENGINE

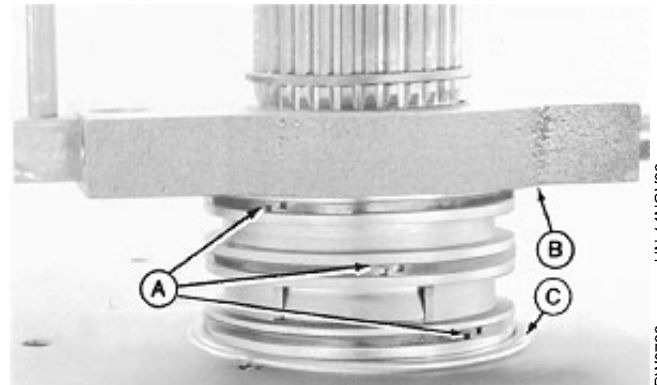
Install front end and engine assembly in reverse order of removal noting the following special instructions:

**For tractor with PST, perform Steps 1a and 1b.**

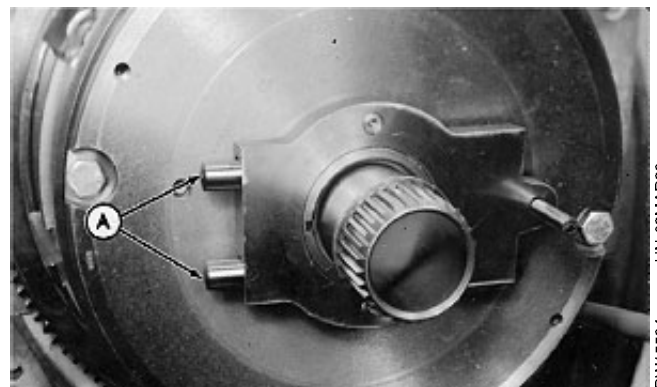
**IMPORTANT:** Sealing rings (A) must be interlocked and clutch oil manifold (B) fully seated against traction clutch assembly (C) to prevent damage to rings during clutch housing to engine assembly.

- 1a. Install clutch oil manifold in traction clutch assembly.

*NOTE: Check clutch oil manifold pistons (A) to be sure they are fully seated in manifold.*



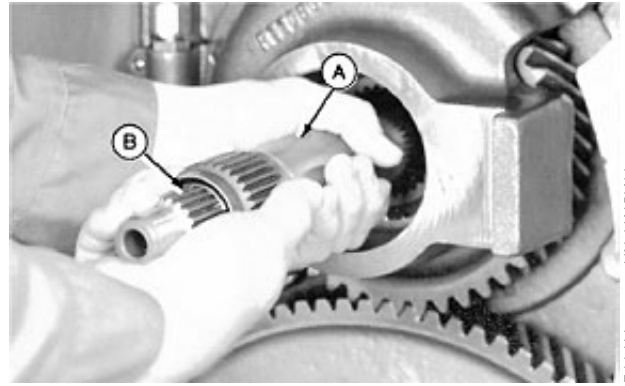
RW6788 -JUN-14NOV88



RW15594 -JUN-02MAR89

RX14581515,14 -19-19SEP90

1b. Check high (A) and low (B) range shafts to make sure they are properly installed in transmission, by measuring from clutch housing face to end of each shaft with shafts pushed rearward. Low range shaft should be 20.5—23.0 mm (0.80—0.90 in.) from clutch housing face. High range shaft should be 68.8—71.5 mm (2.71—2.82 in.) from clutch housing face.



-UN-10NOV88

R36438

RX14581515.15 -19-19SEP90

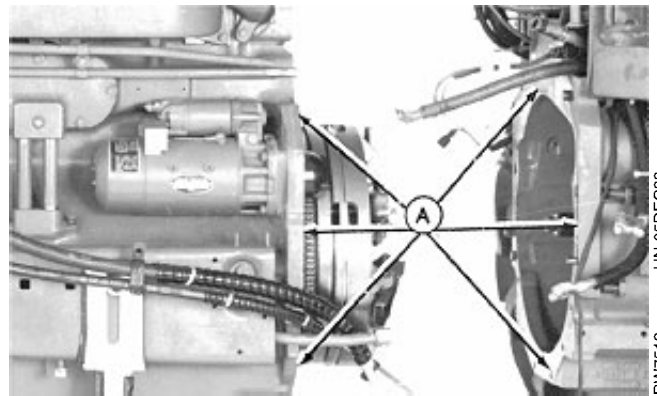
**For ALL tractors, perform the following steps:**

2. Roll front end and engine assembly toward clutch housing.

3. Measure distance between clutch housing and engine surfaces (A). Adjust tractor support stands for perfect alignment.

**IMPORTANT: DO NOT “rock” tractor to install engine to clutch housing. Clutch oil manifold sealing ring damage can result.**

4. Carefully roll front end and engine assembly into position with clutch housing using steady rearward pressure.



-UN-05DEC88

RW7512

RX14581515.16 -19-19SEP90

**IMPORTANT:** For tractor with PST, be sure clutch oil manifold pin is engaged in PTO drive gear support hole before rotating engine.

5. Align clutch drive shaft splines with clutch assembly using a JDE81-1 Engine Rotation Tool.

**IMPORTANT:** Do not use mechanical force to draw engine and clutch housing together. When properly aligned, the unit will slide together.

6. Tighten clutch housing-to-engine cap screws to 365 N-m (270 lb-ft).

7. Tighten oil pan-to-clutch housing cap screws to 163 N-m (120 lb-ft).

**IMPORTANT:** Be careful not to drop clutch oil manifold tubes in clutch housing. Tractor must be separated again if this occurs.

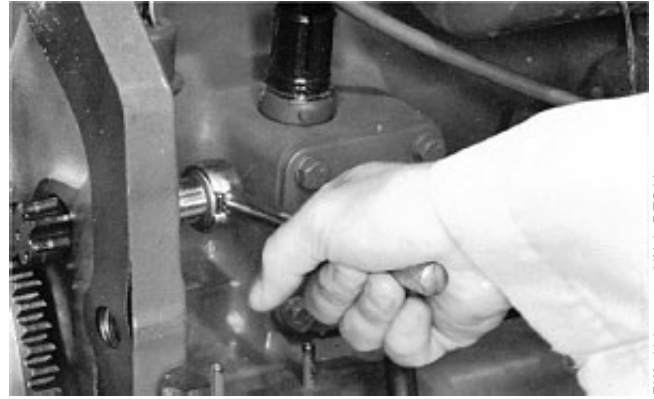
8. For tractor with PST, use long blade screw driver as guide tool to install clutch oil manifold tubes.

9. For tractor with QRT, tighten center link attaching bracket-to-transmission case cap screws to 407 N-m (300 lb-ft).

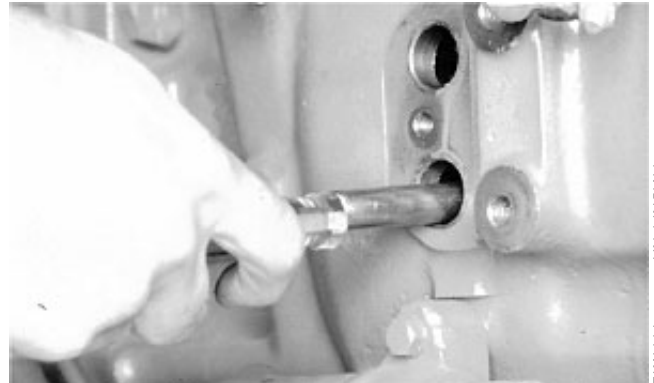
10. For tractor with MFWD, tighten driveshaft-to-front axle yoke cap screws to 68 N-m (50 lb-ft).

11. Check all hydraulic connections and all fluid levels.

12. Test tractor operation.



RW7494 -UN-05DEC88

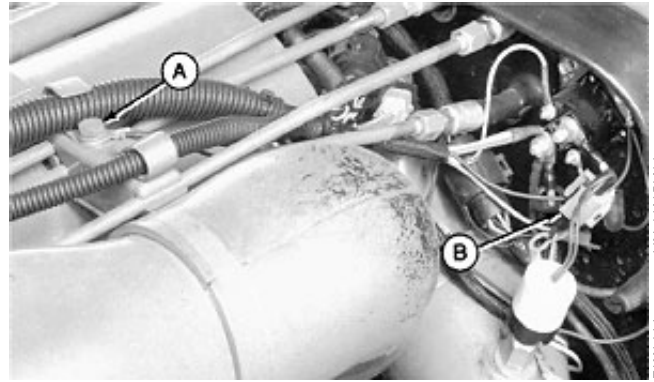


RW6981 -UN-14NOV88

RX14581515,17 -19-01OCT90

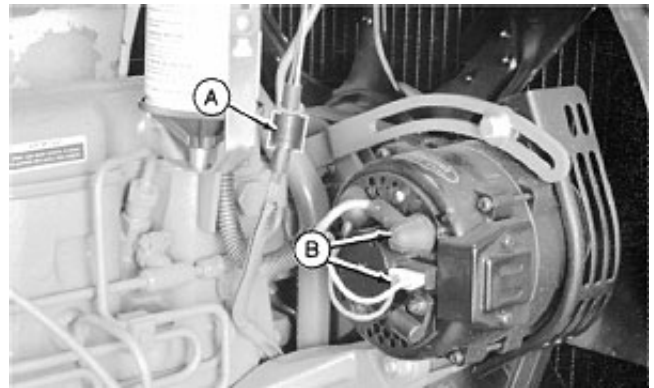
## REMOVE ENGINE

1. Remove front end. (See Remove Front End, Group 10.)
2. Drain hydraulic oil at clutch housing.
3. Disconnect starter electrical connections and move wiring rearward to SOUND-GARD body.
4. Disconnect heater hoses at engine.
5. Disconnect wiring harness ground wires (A), air restriction indicator (B).



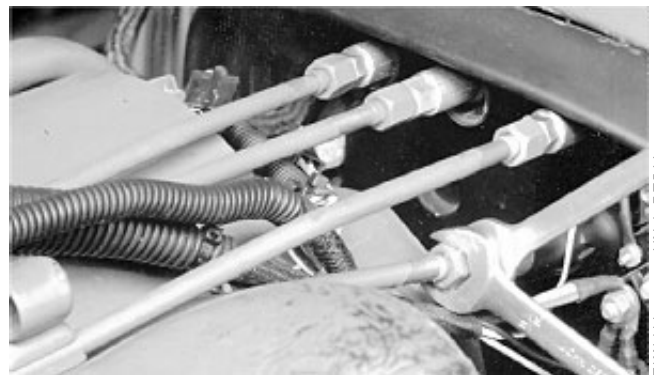
RX14581520,4 -19-12OCT90

6. Disconnect tachometer sensor wiring connector (A).
7. Disconnect alternator electrical connectors (B).
8. Disconnect ether starting air electrical connector and move all wiring harnesses rearward to SOUND-GARD body.



RX14581520,5 -19-02MAY90

9. Disconnect steering lines at SOUND-GARD body.
10. Disconnect engine oil pressure sensor.
11. Disconnect throttle control linkage.
12. Disconnect fuel shut-off cable.



RX14581520,6 -19-02MAY90

**For tractor with QRT, perform Steps 13a, 14a, and 15a.**

13a. Disconnect center link of hitch from center link attaching bracket.

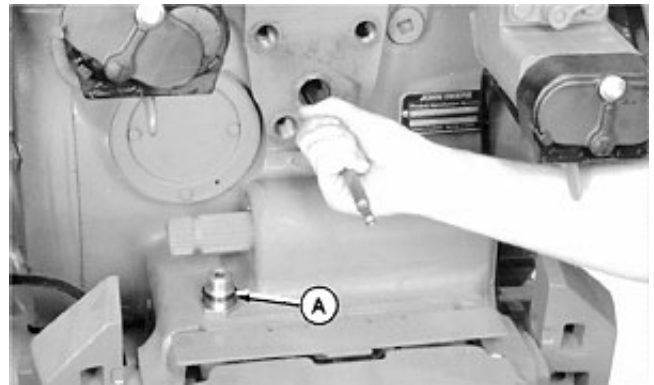
14a. Remove center link attaching bracket from transmission case.



RX14581520,7 -19-02MAY90

RW7507  
-UN-05JAN89

15a. Remove transmission oil pump drive shaft plug (A), and pull pump drive shaft from transmission case.



RX14581520,8 -19-02MAY90

RW7508  
-UN-05JAN89

**For tractor with PST, perform Steps 13b, 14b, 15b, 15c, 15d, and 15e.**

13b. Loosen right-hand front SOUND-GARD body mounting bolt.

14b. Remove SOUND-GARD body mounting bracket cap screws (A) and swing mounting bracket away from clutch housing.

15b. Disconnect C<sub>1</sub> and C<sub>2</sub> oil lines from power shift control valve.



RX14581520,9 -19-19SEP90

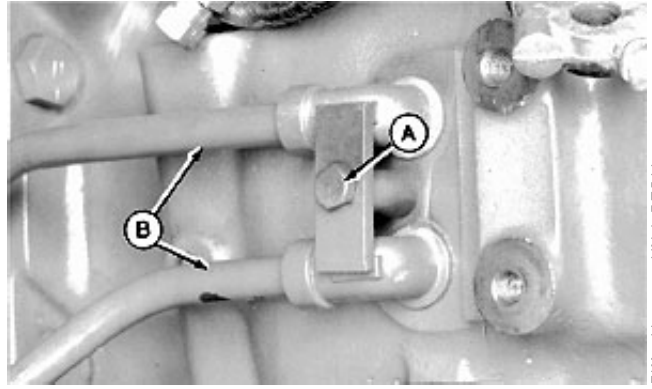
RW7509  
-UN-05DEC88

15  
20  
4

## Engine/Remove Engine

15c. Remove clutch oil manifold line clamp (A).

15d. Remove C<sub>1</sub> and C<sub>2</sub> oil lines (B) from tractor.



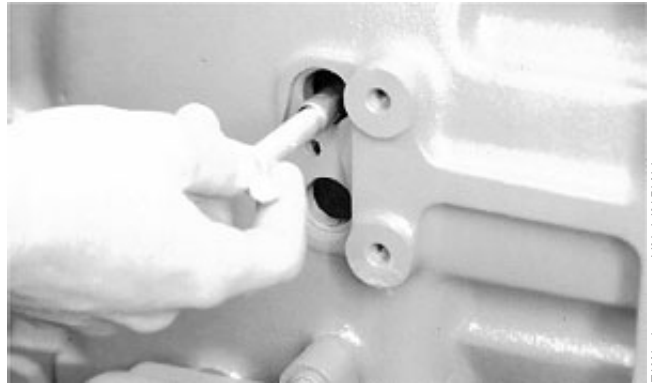
RX14581520,10 -19-19SEP90

RW7510 -UN-05DEC88

15-20-5

*NOTE: Use care in removing clutch oil manifold tubes to avoid dropping tubes into clutch housing.*

15e. Remove clutch oil manifold tubes from clutch housing using a JDG268 Filter Relief Valve Removal Tool.



RX14581520,11 -19-02MAY90

RW6787 -UN-14NOV88

16. Disconnect air cleaner canister cap screw (A).

17. Loosen clamp (A) and remove muffler.



RX14581520,12 -19-02MAY90

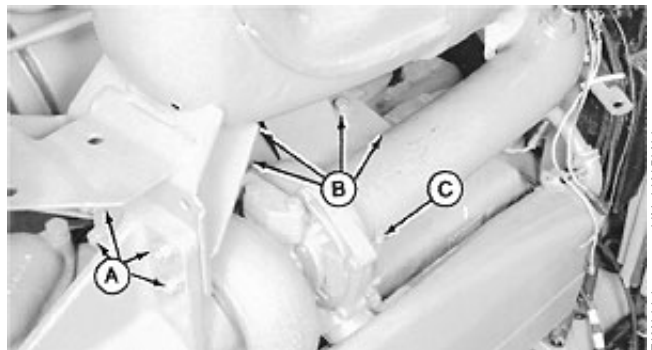
RW6222 -UN-10NOV88

18. Remove air intake and steering valve bracket-to-exhaust elbow bolts (A).

19. Remove air cleaner bracket-to-water manifold fold cap screws (B).

20. Disconnect air intake hose (C) from turbocharger.

21. Remove air intake and steering valve assembly from engine.



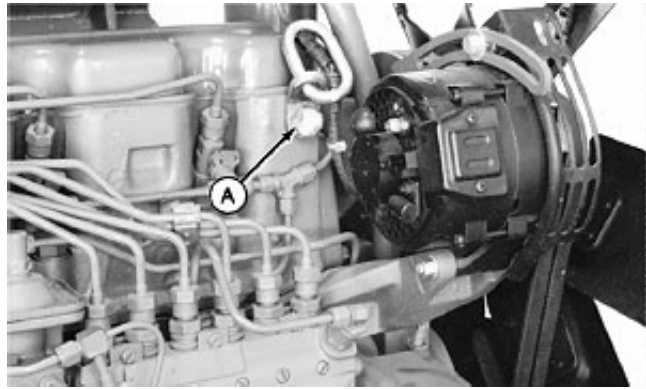
RX14581520,13 -19-02MAY90

RW6224 -UN-10NOV88

Engine/Remove Engine

15  
20  
6

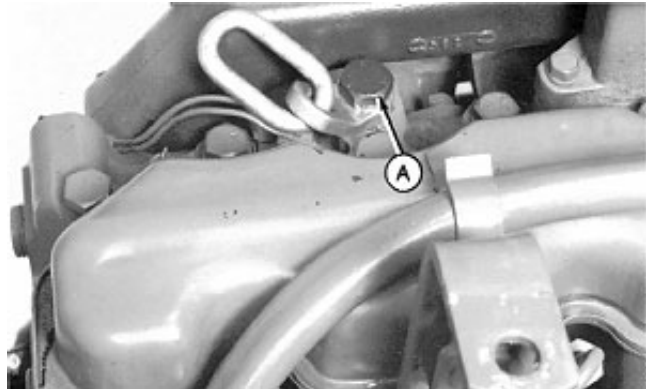
22. Remove injection pump leak-off line clamp and attach JDG19 Special Mounting Bracket (A) to cylinder head with 5/8 in. x 1-1/2 in. cap screw.



FW7516  
-UN-05DEC88

RX14581520,14 -19-02MAY90

23. Attach JDG19 Special Mounting Bracket (A) with 5/8 in. x 1-1/2 in. cap screw.

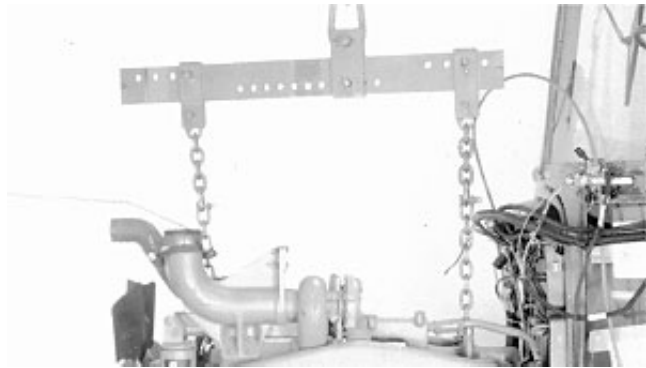


FW7517  
-UN-05DEC88

RX14581520,15 -19-04MAY90

**IMPORTANT: DO NOT apply excessive lifting force to support engine. Binding could occur during separation.**

24. Connect JDG23 Lift Sling to engine lift brackets and support engine with overhead hoist.



FW6227  
-UN-10NOV88

RX14581520,16 -19-04MAY90



**Suggest:**

**If the above button click is invalid.**

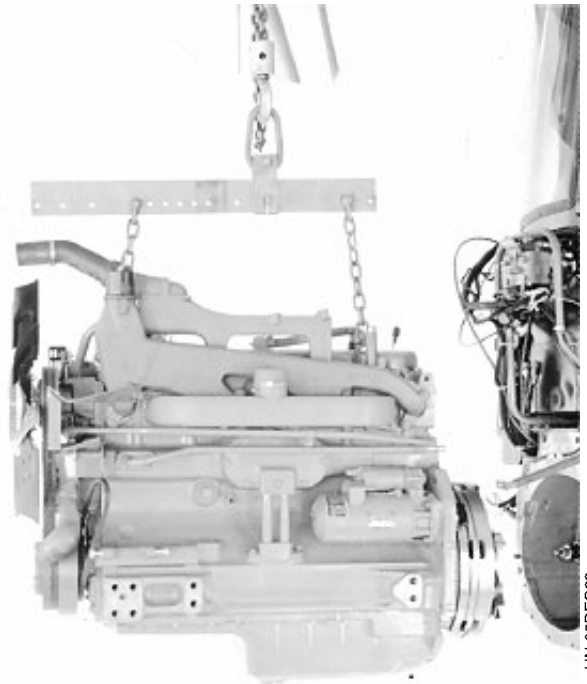
**Please download this document first, and then click the above link to download the complete manual.**

**Thank you so much for reading**

25. Remove floor mat and control support cover.
26. Remove top two clutch housing-to-engine cap screws located under control support using a JDG16A Special Torque Wrench extension.
27. Remove six oil pan-to-clutch housing cap screws and six remaining clutch housing-to-engine cap screws.

**IMPORTANT:** During separation, clutch shafts can become disengaged and fall out. Take precautions to insure shafts stay with clutch housing.

28. Carefully move engine away from clutch housing.



15  
20  
7

RW7520  
-UN-05DEC88

RX14581520,17 -19-04MAY90

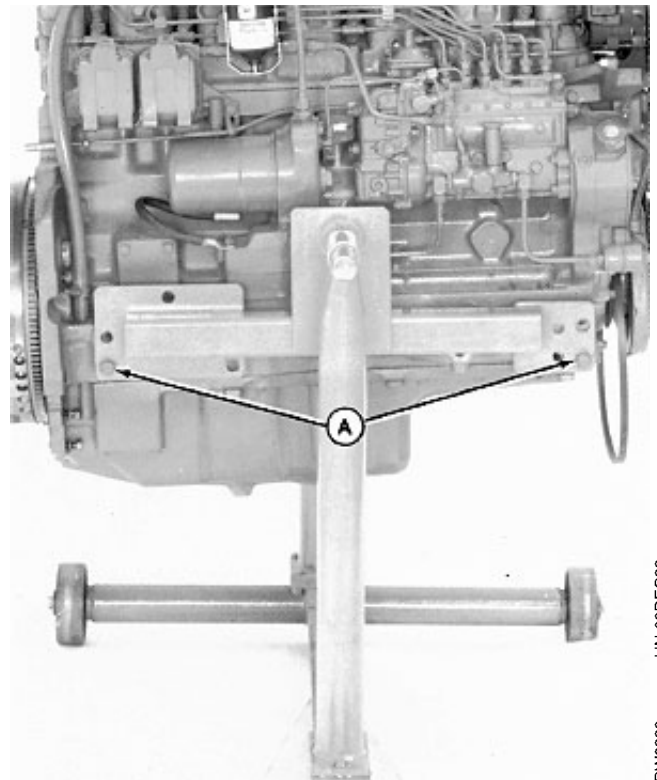
## INSTALL ENGINE ON REPAIR STAND

*NOTE: D05001ST Adapter Plate Set must be modified by drilling lower mounting bolt hole out to 19 mm (3/4 in.).*

1. Carefully move engine into D01003AA Repair Stand and use four (two each side) side frame-to-engine special cap screws (A) to secure D05001ST Adapter Plate Set to engine.
2. Tighten special cap screws to 578 N·m (426 lb-ft).

**⚠ CAUTION:** Never remove the overhead lifting equipment from the engine until the engine is securely mounted to the stand and all mounting hardware is torqued to specified values. Always release the overhead lifting equipment slowly!

3. Carefully remove lift sling from engine.



RW6229  
-UN-09DEC88

RX14581520,18 -19-28SEP90

**<https://www.ebooklibonline.com>**

Hello dear friend!

Thank you very much for reading.

Enter the link into your browser.

The full manual is available for immediate download.

**<https://www.ebooklibonline.com>**