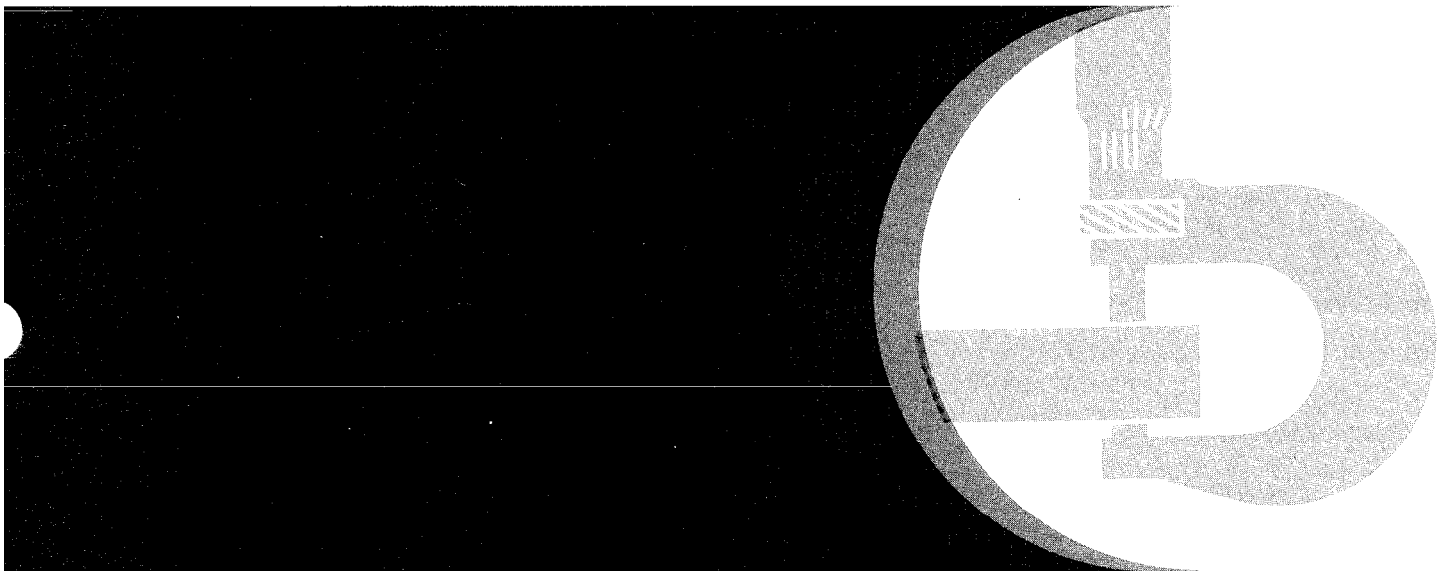


**John Deere
444D, 544D and 644D
Loader
Repair**



TECHNICAL MANUAL

TM-1341 (Oct-87)



LITHO IN U.S.A.

444D, 544D, AND 644D LOADERS TECHNICAL MANUAL TM-1341 (Oct-87)

SECTION AND GROUP CONTENTS

SECTION I—GENERAL INFORMATION

- Group I—Introduction and Safety Information
- Group II—General Specifications
- Group III—Torque Values
- Group IV—Fuels and Lubrication
- Group V—Inspection Procedures

SECTION 01—WHEELS

- Group 0110—Powered Wheels and Fastenings

SECTION 02—AXLES AND SUSPENSION SYSTEMS

- Group 0200—Removal and Installation
- Group 0210—Differential or Bevel Drive
Differential and Differential Lock
- Group 0225—Input Drive Shafts and U-Joints
- Group 0250—Axle Shafts, Bearings and
Reduction Gears
- Group 0260—Hydraulic System
Unloading Valve and Differential
Lock Valve

SECTION 03—TRANSMISSION (IN- CLUDES TORQUE CONVERTER)

- Group 0300—Removal and Installation
- Group 0315—Controls Linkage
- Group 0325—Input Drive Shafts and U-Joints
- Group 0350—Gears, Shafts, Bearings and
Power Shift Clutch
Transmission and Torque Converter

SECTION 03—TRANSMISSION (IN- CLUDES TORQUE CONVERTER— CONTINUED)

- Group 0360—Hydraulic System
Oil Pump, Control Valve, Oil Cooler,
Oil Cooler Thermal Bypass Valve,
Clutch Cut-Off Solenoid Valve

SECTION 04—ENGINE

- 5.4 L (329 Cu In.)—444D, 544D
- 5.9 L (359 Cu In.)—444D, 544D
- 6.8 L (414 Cu In.)—444D, 544D
- 7.6 L (466 Cu In.)—644D

*NOTE: For repair on 5.9 L (359 cu. in.) engines, see
CTM-4; 7.6 L (466 Cu. In.) engines, see CTM-1.*

- Group 0400—Removal and Installation
Oil Pan
Fuel Injection Pump
Fuel Injection Lines and Nozzles
Turbocharger
Water Pump
Thermostats
Fuel Transfer Pump
Starting Motor

*All information, illustrations and specifications contained in this technical manual
are based on the latest information available at the time of publication. The right
is reserved to make changes at any time without notice.*

Copyright© 1987
DEERE & COMPANY
Moline, Illinois
All Rights Reserved
A JOHN DEERE ILLUSTRATION
Previous Editions
Copyright© 1986 Deere & Company
Copyright© 1985 Deere & Company

T64;1341 J6 041187

SECTION AND GROUP CONTENTS—Continued

SECTION 05—ENGINE AUXILIARY SYSTEMS

- Group 0505—Cold Weather Starting Aids
- Group 0510—Cooling Systems
- Group 0515—Speed Controls And Fuel Shut-Off Linkage
- Group 0520—Intake System
- Group 0530—External Exhaust System
- Group 0560—External Fuel Supply Systems

SECTION 06—TORQUE CONVERTER

- See Group 0350 For Torque Converter Repair

SECTION 07—DAMPENER DRIVE

- Group 0752—Elements

SECTION 09—STEERING SYSTEM

- Group 0930—Secondary Steering
- Group 0960—Hydraulic System
 - Steering Valve, Steering Column
 - Priority Valve, Steering Cylinder,
 - Crossover Relief Valve, Cushion Valve

SECTION 10—SERVICE BRAKES

- Group 1011—Active Elements
- Group 1015—Controls Linkage
- Group 1060—Hydraulic System
 - Brake Valve, Brake Accumulator,
 - Brake Pump, Brake System Filter,
 - Unloading Valve and Differential Lock Valve

SECTION 11—PARK BRAKE

- Group 1111—Active Elements
 - Brake Assembly
- Group 1115—Controls Linkage

SECTION 16—ELECTRICAL SYSTEMS

- Group 1671—Batteries, Support and Cables
- Group 1672—Alternator, Regulator and Charging System Wiring
- Group 1673—Lighting System
- Group 1674—Wiring Harness and Switches
- Group 1675—System Controls
 - Transmission Clutch Cut-Off,
 - Differential Lock, Boom
 - Height Kickout and Return-To-Dig Components
- Group 1676—Instruments and Indicators

SECTION 17—FRAME, CHASSIS, OR SUPPORTING STRUCTURE

- Group 1740—Frame Installation
- Group 1746—Frame Bottom Guards
- Group 1749—Chassis Weights
 - Side and Rear Weights

SECTION 18—OPERATOR'S STATION

- Group 1800—Removal and Installation
- Group 1810—Operator Enclosure
- Group 1821—Seat and Seat Belt
- Group 1830—Heating and Air Conditioning

SECTION 19—SHEET METAL AND STYLING

- Group 1921—Grille and Grille Housing

SECTION 20—SAFETY, CONVENIENCE AND MISCELLANEOUS

- Group 2004—Horn and Warning Devices

SECTION 31—LOADER

- Group 3102—Buckets
- Group 3115—Controls Linkage
- Group 3140—Frames
- Group 3160—Hydraulic System
 - Loader Control Valve, Hydraulic Pump, Boom, Bucket, Multi-Purpose Bucket, and Lumber Fork Cylinders,
 - Hydraulic Filter, Reservoir, Suction Screen, Pump Relief Valve

SECTION 99—DEALER FABRICATED TOOLS

T64:1341 J8 021187

<https://www.ebooklibonline.com>

Hello dear friend!

Thank you very much for reading.

Enter the link into your browser.

The full manual is available for immediate download.

<https://www.ebooklibonline.com>

INTRODUCTION

This manual is part of a total service support program.

FOS Manuals—reference

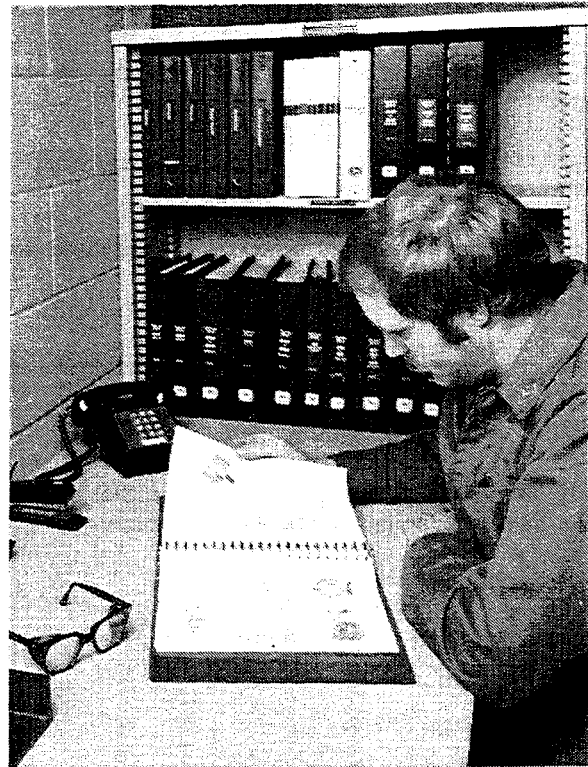
Technical Manuals—machine service

Component Manuals—component service

Fundamentals of Service (FOS) Manuals cover basic theory of operation, fundamentals of troubleshooting, general maintenance, and basic types of failures and their causes. FOS Manuals are for training new personnel and for reference by experienced technicians.

Technical Manuals are concise service guides for specific machines. Technical manuals are on-the-job guides containing only the vital information needed by an experienced service technician.

Component Technical Manuals are concise service guides for specific components. Component technical manuals are written as stand alone manuals covering multiple machine applications.



AB6;RW5559 053;INTR02 030785

FEATURES OF THIS TECHNICAL MANUAL

John Deere ILLUSTRATION format emphasizing illustrations and concise instructions in easy-to-use modules.

Emphasis on diagnosis, analysis, and testing so you can understand the problem and correct it.

Diagnostic information presented with the most logical and easiest to isolate problems first to help you identify the majority of routine failures quickly.

Step-by-step instructions for teardown and assembly.

Summary listing at the beginning of each group of all applicable specifications, wear tolerances, torque values, essential tools, and materials needed to do the job.

An emphasis throughout on safety—so you do the job right without getting hurt.

This technical manual was planned and written for you—an experienced service technician. Keep it in a permanent binder in the shop where it is handy. Refer to it when you need to know correct service procedures or specifications.



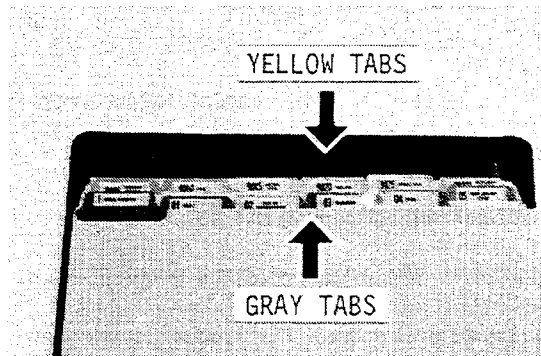
AB6;RW5560 053;INTR03 071085

USING TABS

To fully utilize this technical manual, you must understand how it is organized.

Only two tab colors are used—gray and yellow. Each color represents a different type of information.

Spend a minute reading this now and save many minutes of searching later.



018:T5933AB T82:FLPD I 260785

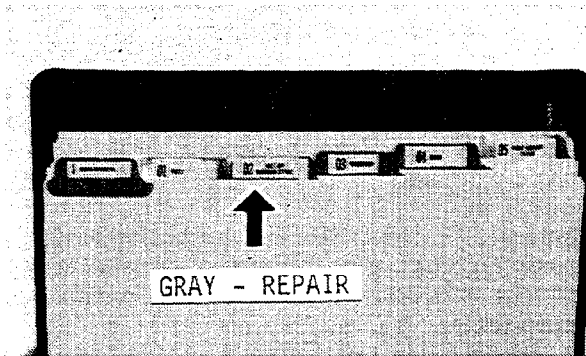
GRAY TAB SECTIONS

The gray tab sections are repair sections that tell how to repair the components of the various systems.

Repair of a component includes:

- Removal from machine (when necessary)
- Disassembly
- Inspection
- Replacement of parts
- Assembly
- Adjustment
- Installation on machine (when necessary)

The numbers used for the repair (gray tab) sections are part of an overall service publication numbering system. The numbers identify the same sections in the parts catalog, flat rate manual, service information bulletins, and service training courses.

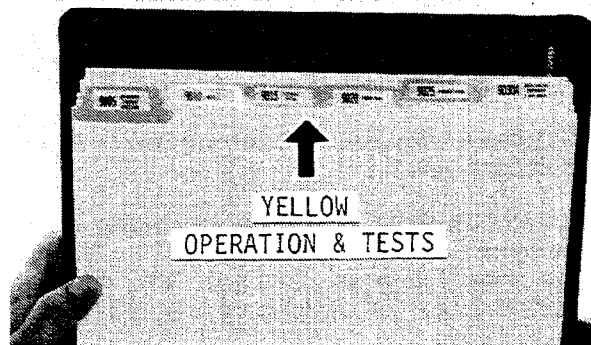


018:T5933AC T82:FLPD J 260785

YELLOW TAB SECTIONS

Each yellow tab section contains information on:

Groups	
05	Theory of Operation
10	System Operational Checks
15	System Diagnostic Information
20	Adjustments
25	Tests



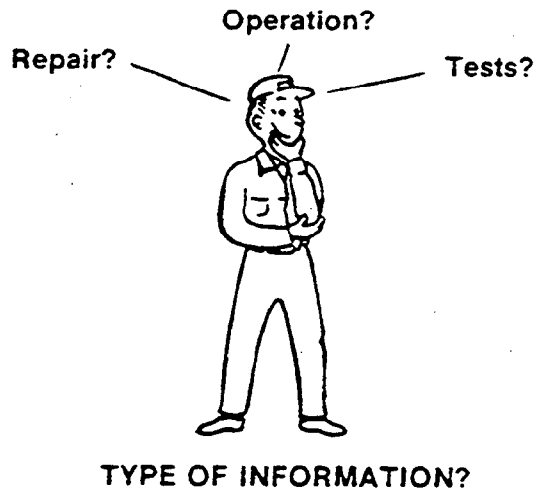
018:T5933AD T82:FLPD K 260785

THREE-STEP PROCEDURE

Use the following three-step procedure to locate the desired information.

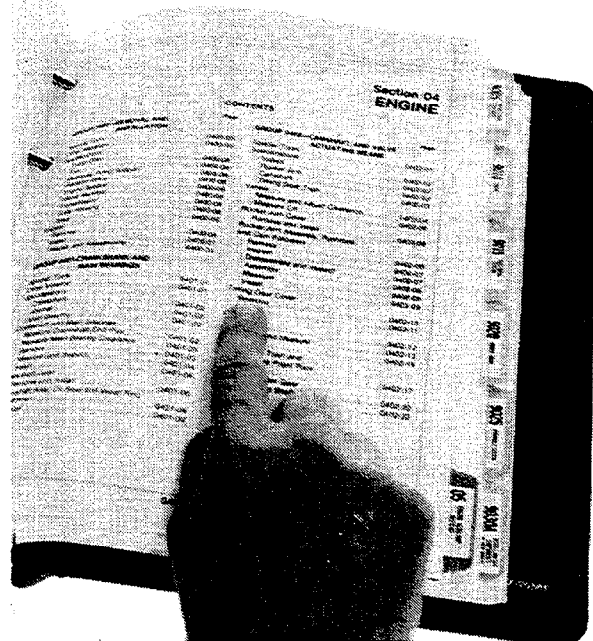
1. Determine the type of information you need. Is it repair, operation, or tests?
2. Go to the appropriate section tab:

Gray for Repair
Yellow for Operation or Tests



018:T5940AT T82:FLPD L 260785

3. Use the table of contents on the first page of the section to locate the information.



018:T5933AF T82:FLPD M 260785

CLEAN TRASH FROM MACHINE

Wait until engine has cooled before removing trash from areas such as engine, radiator, batteries, hydraulic lines, fuel tank, and operator's station.

Temperature in engine compartment may go up immediately after engine is stopped. **BE ON GUARD FOR FIRES DURING THIS PERIOD.**

Open side shields to cool the engine faster.



018;T86512 T82;FLSA D 010485

PREVENT BATTERY EXPLOSIONS

Battery gas can explode. Keep sparks and flames away from batteries. Use a flashlight to check battery electrolyte level.

Never check battery charge by placing a metal object across the posts. Use a voltmeter or hydrometer.

Always remove grounded (-) battery clamp first and replace it last.



AB6;TS181 053;EXPL0 180485

AVOID ACID BURNS

Sulfuric acid in battery electrolyte is poisonous. It is strong enough to burn skin, eat holes in clothing, and cause blindness if splashed into eyes.

Avoid the hazard by:

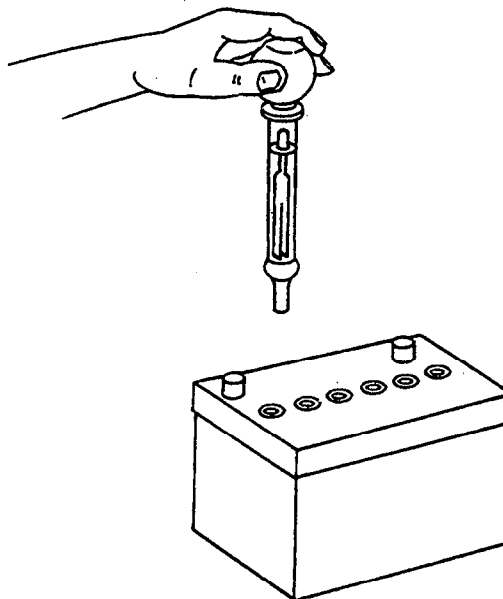
1. Filling batteries in a well-ventilated area.
2. Wearing eye protection and rubber gloves.
3. Avoiding breathing fumes when electrolyte is added.
4. Avoiding spilling or dripping electrolyte.

If you spill acid on yourself:

1. Flush your skin with water.
2. Apply baking soda or lime to help neutralize the acid.
3. Flush your eyes with water for 10-15 minutes. Get medical attention immediately.

If acid is swallowed:

1. Drink large amounts of water or milk.
2. Then drink milk of magnesia, beaten eggs, or vegetable oil.
3. Get medical attention immediately.



AB6;TS182 053;ACID 180485

HANDLE STARTING FLUID SAFELY

Starting fluid is highly flammable. DO NOT incinerate or puncture a starting fluid container. Store starting fluid containers away from high temperature areas.



018;T6089AU T82;FLSA G 010485

WEAR PROTECTIVE CLOTHING

Wear fairly tight clothing . . . and safety equipment.

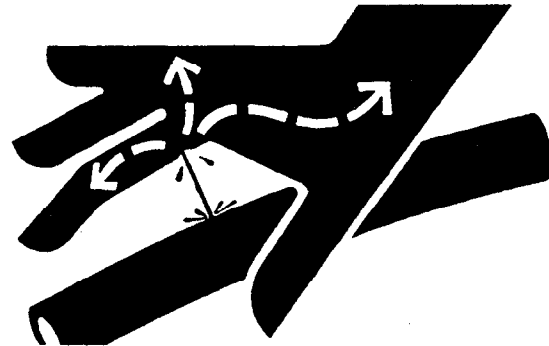


018;T85056 T82;FLSA AA 130685

AVOID HIGH-PRESSURE FLUIDS

Escaping fluid under pressure can penetrate the skin causing serious injury. Relieve pressure before disconnecting hydraulic or other lines. Tighten all connections before applying pressure. Keep hands and body away from pinholes and nozzles which eject fluids under high pressure. Use a piece of cardboard to search for leaks.

If ANY fluid is injected into the skin, it must be surgically removed within a few hours by a doctor familiar with this type injury or gangrene may result.

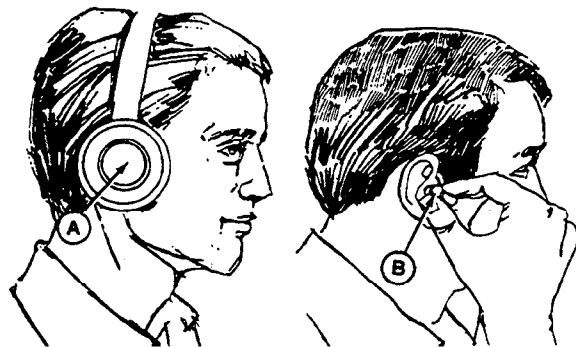


AB6;X9811 053;FLUID 010586

PROTECT AGAINST NOISE

Prolonged exposure to loud noise can cause impairment or loss of hearing.

Wear a suitable hearing protective device such as earmuffs (A) or earplugs (B) to protect against objectionable uncomfortable loud noises.



AB6;X7662 053;NOISE 150584

UNDERSTAND MACHINE OPERATION, SERVICE

Allow only qualified people to operate and service the machine.

Learn the location and purpose of all controls, instruments, indicators, and labels.

Be sure you understand a service procedure before you work on the machine.

Unauthorized modifications to the machine may impair the function and/or safety and affect machine life.

ALWAYS USE TWO PEOPLE when making checks with the engine running—the operator at the controls, able to see the person doing the checking.

Keep hands away from moving parts.



018;T6073A0 T82;FLSA H 010485

PREVENT MACHINE RUNAWAY

Avoid possible injury or death from machine runaway.

Do not start engine by shorting across starter terminals. Machine will start in gear and will move if normal circuitry is bypassed.

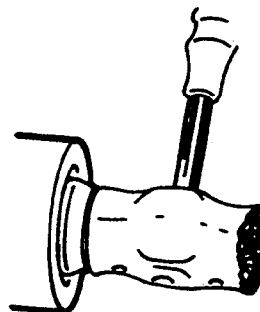
Never start engine while standing on ground. Start engine only from operator's seat, with gear shift lever in neutral, neutral lock latch in place, and park brake applied.



AB6;TS177 T82;FLSA I 010485

PROTECT AGAINST FLYING DEBRIS

When you drive connecting pins in or out, guard against injury from flying pieces of metal or debris; wear goggles or safety glasses.



018;T6073AP T82;FLSA AB 130685

SUPPORT RAISED EQUIPMENT

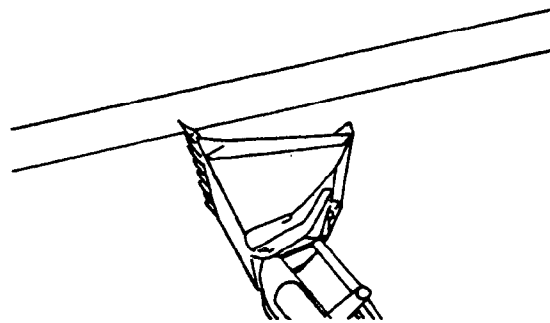
Raised equipment must be supported before working under it.

If a support is not available, lower equipment to the ground.

T82;FLSA O 010485

AVOID POWER LINES

Keep away from power lines. Serious injury or death may result. Never move any part of the machine or load closer to power line than 10 ft (3 m) plus twice the line insulator length.



018;T6133AK T82;FLSA Q 100685

OBSERVE SERVICE PRECAUTIONS

Keep ALL equipment free of dirt and oil.

Clean oil, grease, mud, ice or snow from the operator's station, steps and hand rails.

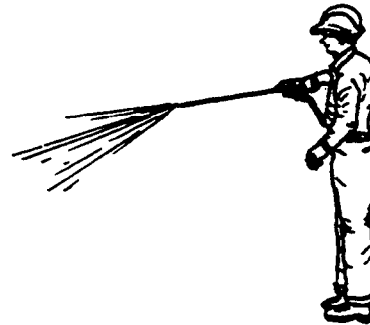
DO NOT remove the radiator cap unless the engine is cool. Then loosen the cap slowly to the stop. Release all pressure before you remove the cap.

Check the exhaust system regularly for leaks.

Release hydraulic pressure before you work on the hydraulic system.

Disconnect negative (—) battery cable.

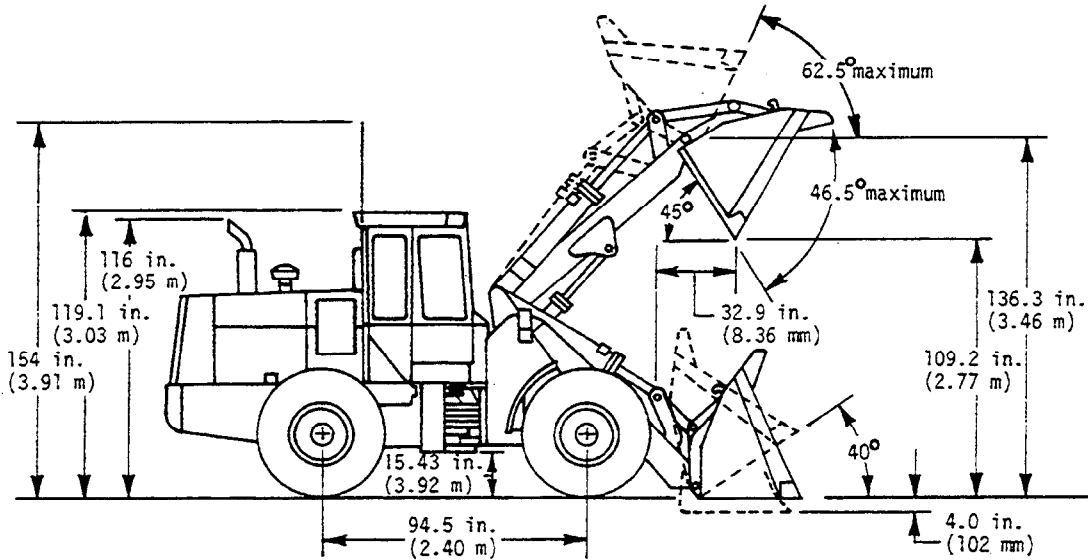
When you check hydraulic pressure, be sure to use the correct test gauge.



018;T5813AM T82;FLPD P 130886

Group II
GENERAL SPECIFICATIONS

444D LOADER



Engine:

John Deere 6-cylinder turbocharger diesel	90 SAE hp (67 kw)
Bore and stroke	
Pin (—511476)	4.02 x 4.33 in. (102 x 110 mm)
Pin (511477—)	4.19 x 4.33 in. (106 x 110 mm)
Piston displacement	
Pin (—511476)	3.29 cu. in. (5.392 L)
Pin (511477—)	3.59 cu. in. (5.833 L)
Lubrication	Pressure system with full-flow filter
Cooling	Pressurized with thermostat and controlled bypass
Fan	Blower
Dual-stage air cleaner with restriction indicator	Dry
Electrical system	12-volt with alternator
Batteries (one 12-volt)	
Cold cranking capacity at 0°F (−18°C)	625 amps
Reserve capacity	170 min. ea.
Alternator: standard	42 amps
optional with cab	90 amps

Differentials:

Front and rear	Standard
Front hydraulic differential lock with capture circuit	Optional
Front No Spin	Optional

Drive Axles:

- Inboard-mounted planetary gears to each wheel.
- Front axle fixed.
- Rear axle oscillates 22° total (15.6 in (396 mm) vertical travel at center of tire).

018;T6140AC 05T;115 C72 140886

General Specifications

Torque Converter Twin-turbine

Transmission Power shift planetary

Forward Speeds

	mph	km/h
1	0—2.9	0—4.7
2	2.9—6.5	4.7—10.5
3	0—11.0	0—17.7
4	11.0—24.6	17.7—39.6

Reverse Speeds

1	0—3.9	0—6.3
2	3.9—8.8	6.3—14.2

NOTE: Shift from 1st to 2nd and 3rd to 4th is automatic.

Brakes:

Service:

- Power-actuated, 4-wheel, inboard-mounted, wet-disk.
- Foot-operated by either pedal.
- Left pedal also disconnects transmission.
- External inspection.
- Low brake pressure warning light and buzzer.

Park:

- Expanding shoe on transmission output shaft, foot-operated.
- Transmission disconnects with park brake applied.
- Warning light on instrument panel.

Steering:

- Turning radius 13 ft 10 in. (4.22 m) measure to center line of outside tire
- Secondary steering—if equipped: Meets the requirements of SAE J53.

Main Hydraulic and Steering System @ fast idle:

Hydraulic System Relief	2250—2450 psi (15 514—15 895 kPa) (155—159 bar)
Boom Raise Circuit Relief	2500—2625 psi (17 238—18 005 kPa) (173—180 bar)
Bucket Rollback Circuit Relief	2500—2625 psi (17 238—18 005 kPa) (173—180 bar)
Bucket Dump Circuit Relief	850—1050 psi (5 861—7 240 kPa) (59—72 bar)
Clam Open Circuit Relief	2500—2625 psi (17 238—18 005 kPa) (173—180 bar)
Clam Close Circuit Relief	2500—2625 psi (17 238—18 005 kPa) (173—180 bar)
Maximum Steering System Pressure	2400—2500 psi (16 550—17 240 kPa) (165—172 bar)
Steering Crossover Relief Valve Pressure	3000—3200 psi (20 685—22 060 kPa) (207—220 bar)

Brake and Differential Lock Hydraulic System:

Unloading Valve Pressure Setting (Closing)	1800 psi (12 411 kPa) (124 bar)
(Opening)	2300 psi (15 859 kPa) (159 bar)
Differential Lock Circuit Pressure	600 psi (4 137 kPa) (41 bar)
Transmission System Pressure	125—170 psi (862—1 172 kPa) (8.6—11.7 bar)

Maximum lift capacity with standard equipment

Maximum height	7,310 lb (3320 kg)
Ground level	18,790 lb (8525 kg)

05T;115 C73 140886

General Specifications

Tires:

- 13.0—24, 8 PR, G2
- 15.5—25, 8 PR, L2
- 15.5—25, 12 PR, L2
- 15.5—25, 1 STAR, XRAT

- 17.5—25, 12 PR, L2
- *18.4—26, 10 PR, LS2
- *23.1—26, 10 PR, LS2

Cold Tire Inflation Pressure

- 50 psi (345 kPa) (3.5 bar)
- 45 psi (310 kPa) (3.1 bar)
- 55 psi (380 kPa) (3.8 bar)
- front 50 psi (340 kPa) (3.4 bar)
- rear 30 psi (210 kPa) (2.1 bar)
- 50 psi (340 kPa) (3.4 bar)
- 30 psi (210 kPa) (2.1 bar)
- 25 psi (170 kPa) (1.7 bar)

**Use with log loader*

Wheel Treads:

Front and rear 70.0 in. (1.78 m)

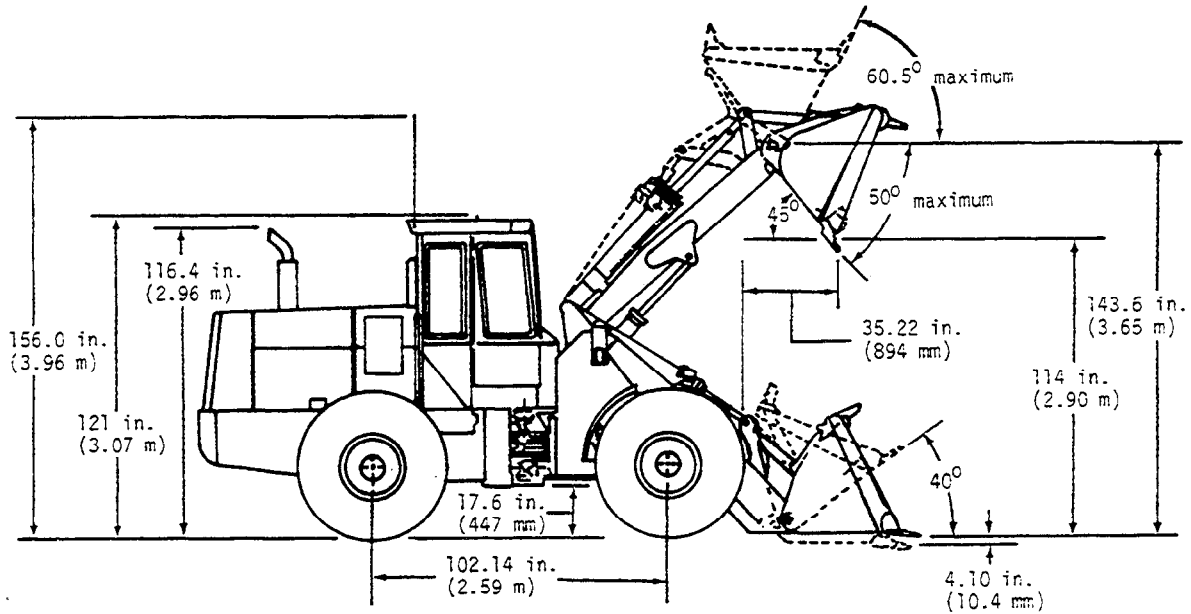
Refill Capacities:

	U.S.	Metric
Cooling System	24 qt.	23 L
Fuel tank	50 gal.	189 L
Engine crankcase and filter	12 qt.	11.4 L
Transmission case and filter	8.5 gal	32.2 L
Front and rear differential	17 qt.	16 L
Hydraulic reservoir	64 qt.	61 L
Weight:	19, 223 lb	8727 kg

NOTE: Specifications and design subject to change without notice. Wherever applicable, specifications are in accordance with ICED and SAE standards. Except where otherwise noted, specifications are based on a machine equipped with all standard equipment, 15.5—25, 8 PR loader-tread tires with 940 lb (426 kg) CaC₁₂ solution in rear tires, ROPS cab, full fuel tank, and 175 lb (79 kg) operator.

T82;FLSP H 140685

544D LOADER



Engine:

John Deere 6-cylinder turbocharger diesel	115 SAE hp (86 kw)
Bore and stroke	4.19 x 5 in. (106.5 x 127 mm)
Piston displacement	414 cu. in. (6.785 L)
Lubrication	Pressure system with full-flow filter
Cooling	Pressurized with thermostat and controlled bypass
Fan	Blower
Aspirated dual-stage air cleaner with restriction indicator	Dry
Electrical system	12-volt with alternator
Batteries (one 12-volt)	
Cold cranking capacity at 0°F (-18°C)	625 amps
Reserve capacity	170 min. ea.
Alternator: standard	42 amps
optional with cab	90 amps

Torque Converter

Twin-turbine

Transmission

Power shift planetary

Forward Speeds

	mph	km/h
1	0—3.1	0—5.0
2	3.1—7.3	5.0—11.7
3	0—11.7	0—18.8
4	11.7—27.9	18.8—45.0

Reverse Speeds

1	0—4.2	0—6.8
2	4.2—9.9	6.8—16.0

NOTE: Shift from 1st to 2nd and 3rd to 4th is automatic.

25A/T6140AD T82/FLPD S 310785

General Specifications

Differentials:

Front and rear	Standard
Front hydraulic differential lock with capture circuit	Optional
Front No Spin	Optional

Drive Axles:

- Inboard-mounted planetary gears to each wheel.
- Front axle fixed.
- Rear axle oscillates 22° total (13.5 in (343 mm) vertical travel at center of tire).

Brakes:

Service:

- Power-actuated, 4-wheel, inboard-mounted, wet-disk.
- Foot-operated by either pedal.
- Left pedal also disconnects transmission.
- External inspection.
- Low brake pressure warning light and buzzer.

Park:

- Expanding shoe on transmission output shaft, foot-operated.
- Transmission disconnects with park brake applied.
- Warning light on instrument panel.

Steering:

- Turning radius 14 ft 7 in. (4.44 m) measured to center line of outside tire
- Secondary steering—if equipped: Meets the requirements of SAE J53.

Main Hydraulic and Steering System:

Hydraulic System Relief	2625—1750 psi (18 099—18 960 kPa) (179—189 bar)
Boom Raise Circuit Relief	2875—3000 psi (19 823—20 680 kPa) (198—207 bar)
Bucket Rollback Circuit Relief	2875—3000 psi (19 823—20 680 kPa) (198—207 bar)
Bucket Dump Circuit Relief	1750—1950 psi (12 066—13 445 kPa) (119—134 bar)
Clam Open Circuit Relief	2875—3000 psi (19 823—20 680 kPa) (198—207 bar)
Clam Close Circuit Relief	2875—3000 psi (19 823—20 680 kPa) (198—207 bar)
Maximum Steering System Pressure	2400—2500 psi (16 550—17 240 kPa) (166—172 bar)
Steering Crossover Relief Valve Pressure	3000—3200 psi (20 685—22 060 kPa) (207—220 bar)

Brake and Differential Lock Hydraulic System:

Unloading Valve Pressure Setting (Closing)	1800 psi (12 411 kPa) (124 bar)
(Opening)	2300 psi (15 859 kPa) (159 bar)
Differential Lock Circuit Pressure	600 psi (4 137 kPa) (41 bar)
Transmission System Pressure	125—170 psi (862—1 172 kPa) (18.6—11.7 bar)

Maximum lift capacity with standard equipment

Maximum height	10,239 lb (4 654 kg)
Ground level	25,009 lb (11 368 kg)

T82;FLSP E 081185

General Specifications

Tires:

- 14.0—24, 10 PR, G2
- 14.0—24, 12 PR, G2
- 17.5—25, 12 PR, L2
- 17.5—25, 12 PR, L3
- 17.5—25, 1 START, XRAT

- 20.5—25, 12 PR, L3
- 20.5—25, 12 PR, L3
- *23.1—26, 10 PR, LS2
- *28.1—26, 14 PR, LS2

Cold Tire Inflation Pressure

- 55 psi (380 kPa) (3.8 bar)
- 65 psi (410 kPa) (4.1 bar)
- 50 psi (345 kPa) (3.5 bar)
- 50 psi (345 kPa) (3.5 bar)
- front 50 psi (345 kPa) (3.5 bar)
- rear 30 psi (210 kPa) (2.1 bar)
- 50 psi (345 kPa) (3.5 bar)
- 50 psi (345 kPa) (3.5 bar)
- 25 psi (170 kPa) (1.7 bar)
- 30 psi (210 kPa) (2.1 bar)

**Use with feller buncher and log loader*

Wheel Treads:

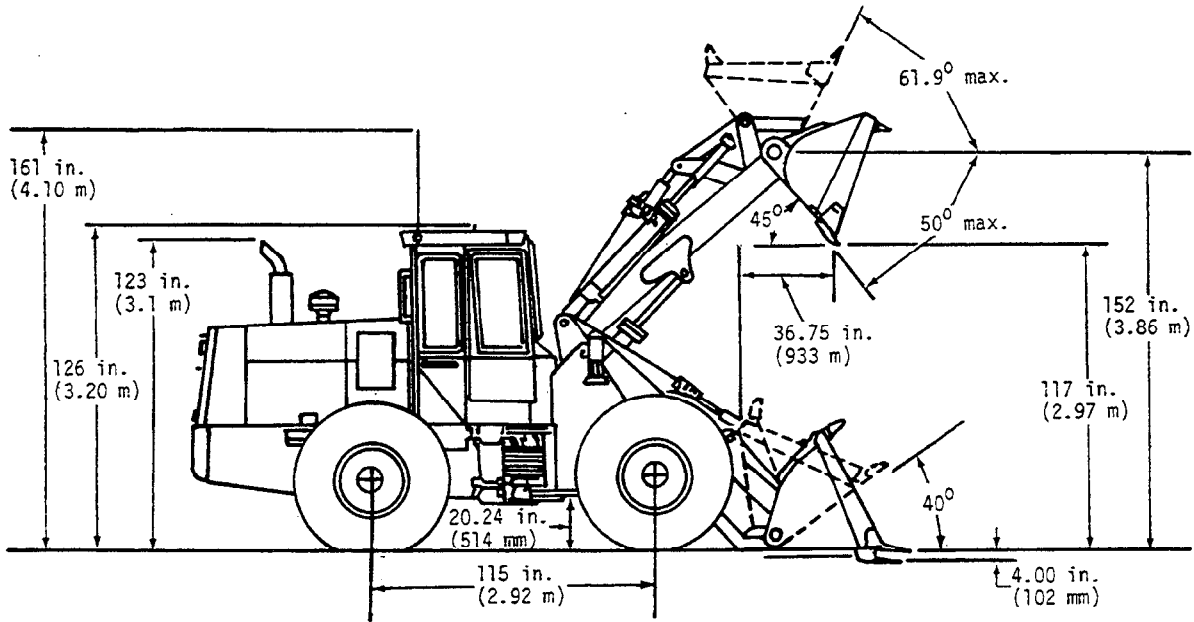
- Front and rear 70.0 in. (1.78 m)
- Front and rear w/20, 5—25 tires 80.0 in. (2.03 m)

Refill Capacities:

	U.S.	Metric
Cooling System	24 qt.	23 L
Fuel tank	50 gal.	189 L
Engine crankcase and filter	20 qt.	19 L
Transmission case and filter	8.5 gal	32 L
Front differential	24 qt.	23 L
Rear differential	24 qt.	23 L
Hydraulic reservoir	64 qt.	61 L
Weight:	22, 665 lb	10 290 kg

NOTE: Specifications and design subject to change without notice. Wherever applicable, specifications are in accordance with ICED and SAE standards. Except where otherwise noted, specifications are based on a machine equipped with all standard equipment, 17.5—25, 12 PR, L2 tires with 1180 lb (535 kg) CaC1₂ solution in rear tires, ROPS cab, full fuel tank, and 175 lb (79 kg) operator.

644D LOADER



Engine:

John Deere 6-cylinder turbocharger diesel 155 SAE hp (116 kw)
 Bore and stroke 4.56 x 4.75 in. (116 x 121 mm)
 Piston displacement 466 cu. in. (7.636 L)
 Lubrication Pressure system with full-flow filter
 Cooling Pressurized with thermostat and controlled bypass
 Fan Blower
 Dual-stage air cleaner with restriction indicator Dry
 Electrical system 12-volt with alternator
 Batteries (two 12-volt)
 Cold cranking capacity at 0°F (-18°C) 625 amps
 Reserve capacity 170 min. ea.
 Alternator: standard 42 amps
 optional with cab 90 amps

Torque Converter Twin-turbine

Transmission Power shift planetary

Forward Speeds	mph	km/h
1	0—3.3	0—5.3
2	3.3—7.1	5.3—11.4
3	0—12.8	0—20.6
4	12.8—27.3	20.6—43.9
Reverse Speeds		
1	0—3.8	0—6.1
2	3.8—8.2	6.1—13.2

NOTE: Shift from 1st to 2nd and 3rd to 4th is automatic.

018;T6140AE T82;FLPD T 310785

General Specifications

Differentials:

Front and rear	Standard
Front hydraulic differential lock with capture circuit	Optional
Front No Spin	Optional

Drive Axles:

- Inboard-mounted planetary gears to each wheel.
- Front axle fixed.
- Rear axle oscillates 22° total (15.6 in (396 mm) vertical travel at center of tire).

Brakes:

Service:

- Power-actuated, 4-wheel, inboard-mounted, wet-disk.
- Foot-operated by either pedal.
- Left pedal also disconnects transmission.
- External inspection.
- Low brake pressure warning light and buzzer.

Park:

- Expanding shoe on transmission output shaft, foot-operated.
- Transmission disconnects with park brake applied.
- Warning light on instrument panel.

Steering:

- Turning radius 16 ft 6 in. (5.03 m) measure to center line of outside tire
- Secondary steering—if equipped: Meets the requirements of SAE J53.

Main Hydraulic and Steering System:

Hydraulic System Relief	2625—2750 psi (18 099—18 960 kPa) (181—190 bar)
Boom Raise Circuit Relief	2875—3000 psi (19 823—20 680 kPa) (198—207 bar)
Bucket Rollback Circuit Relief	2875—3000 psi (19 823—20 680 kPa) (198—207 bar)
Bucket Dump Circuit Relief	1750—1950 psi (12 066—13 445 kPa) (121—134 bar)
Clam Open Circuit Relief	2875—3000 psi (19 823—20 680 kPa) (198—207 bar)
Clam Close Circuit Relief	2875—3000 psi (19 823—20 680 kPa) (198—207 bar)
Maximum Steering System Pressure	2400—2500 psi (16 550—17 240 kPa) (166—172 bar)
Steering Crossover Relief Valve Pressure	3000—3200 psi (20 685—22 060 kPa) (207—220 bar)

Brake and Differential Lock Hydraulic System:

Unloading Valve Pressure Setting (Closing)	1800 psi (12 411 kPa) (124 bar)
(Opening)	2300 psi (15 859 kPa) (159 bar)
Differential Lock Circuit Pressure	600 psi (4 137 kPa) (41 bar)
Transmission System Pressure	125—170 psi (862—1 172 kPa) (8.6—11.7 bar)

Maximum lift capacity with standard equipment

Maximum height	14,682 lb (6 674 kg)
Ground level	31,325 lb (14 239 kg)

T82;FLSP G 081185

General Specifications

Tires:

16.0—24, 12 PR, G2
 17.5—25, 12 PR, L2
 29.5—25, 12 PR, L2
 20.5—25, 12 PR, L-3
 20.5—25, 16 PR, L3
 20.5—25, 1 STAR, XRAT

 23.5—20, 12 PR, L3
 *28.1—26, 14 PR, LS2

Cold Tire Inflation Pressure

50 psi (345 kPa) (3.5 bar)
 60 psi (410 kPa) (4.1 bar)
 50 psi (345 kPa) (3.5 bar)
 50 psi (345 kPa) (3.5 bar)
 60 psi (410 kPa) (4.1 bar)
 front 50 psi (345 kPa) (3.5 bar)
 rear 30 psi (210 kPa) (2.1 bar)
 45 psi (310 kPa) (3.1 bar)
 30 psi (210 kPa) (2.1 bar)

**Use with log loader*

Wheel Treads:

Front and rear 80.0 in. (2.03 m)
 Front and rear w/23.5—25 tires 84.8 in. (2.15 m)

Refill Capacities:

	U.S.	Metric
Cooling System	29 qt.	28 L
Fuel tank	67 gal.	254 L
Engine crankcase and filter	20 qt.	19 L
Transmission case and filter	8.5 gal	32 L
Front differential	24 qt.	23 L
Rear differential	24 qt.	23 L
Hydraulic reservoir	100 qt.	95 L
Weight:	29, 320 lb	13 311 kg

NOTE: *Specifications and design subject to change without notice. Wherever applicable, specifications are in accordance with ICED and SAE standards. Except where otherwise noted, specifications are based on a machine equipped with all standard equipment, 20.5—25, 12 PR, L2 loader-tread tires w 1820 lb (826 kg) CaC1₂ solution in rear tires, ROPS cab, full fuel tank, and 175 lb (79 kg) operator.*

T82/FLSP J 111185

POWERED WHEELS AND FASTENINGS

SERVICE EQUIPMENT AND TOOLS

NOTE: Order tools from your SERVICE-GARD™ Catalog. Some tools may be available from a local supplier.

Name	Use
Heavy Duty Wheel Lift	Remove and install wheels.
Shop Stand	Support the unit while removing wheels.

T47;0110 K529 170985

SPECIFICATIONS

Item	Measurement	Specification
Cap Screw	Torque.....	410 ± 40 N·m (300 ± 30 lb-ft)

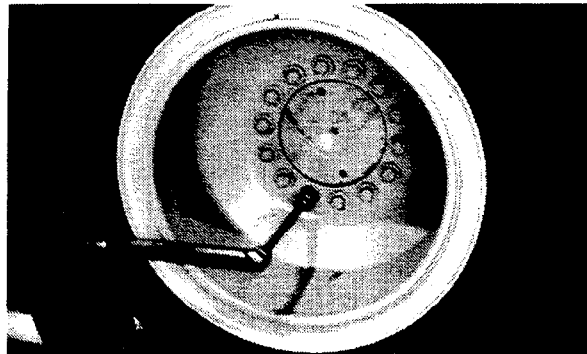
T47;0110 K530 170985

REMOVE WHEEL

NOTE: Procedures are the same for all units.

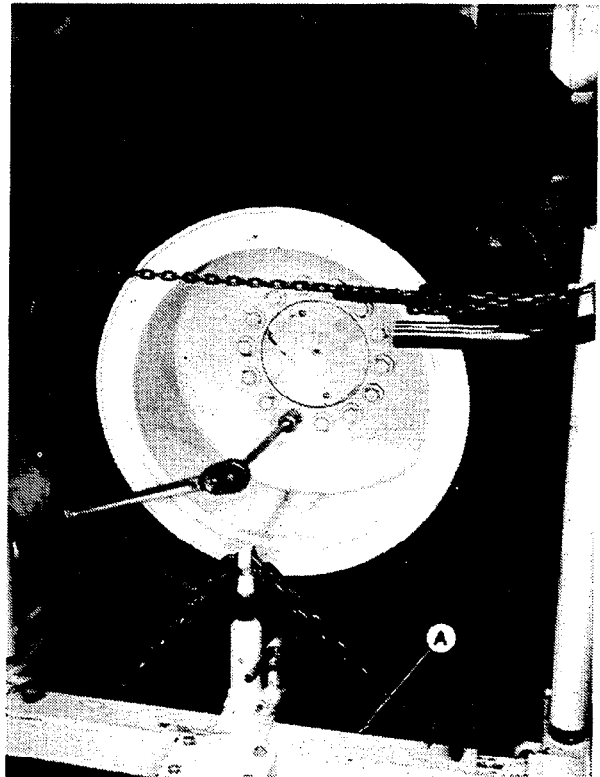
⚠ CAUTION: Loader wheels are heavy. Use suitable equipment when handling wheels to avoid injury.

1. Loosen cap screws before lifting unit off ground.



1AG;T6144AY T47;0110 K531 011085

2. Use a service jack or a hoist of at least 9000 kg (10-ton) capacity to lift unit until the wheel is off the ground.
3. Put a shop stand of at least 9000 kg (10-ton) capacity under the axle housing.
4. Put a wheel lift (A) under the raised wheel. Fasten the safety chain, from wheel lift, around the upper portion of tire.
5. Remove cap screws. Pull wheel assembly away from flanged axle.



1AG;T6144AU T47;0110 K532 011085

REMOVE TIRE

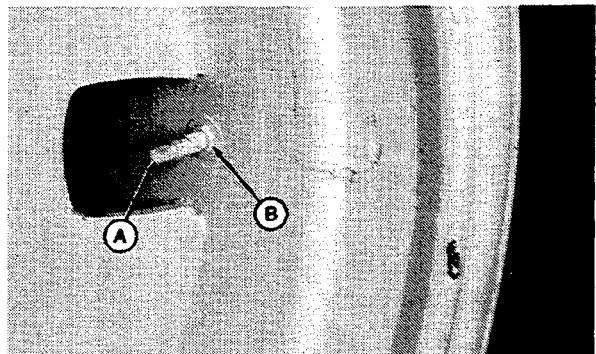
1. The tire can be removed without removing the wheel from the loader. See the John Deere Off-The-Road Tire Maintenance Manual to remove the tire from the wheel.



CAUTION: Failure to follow proper procedures when demounting a tire from a wheel or rim can produce an explosion which may result in serious bodily injury. DO NOT attempt to demount a tire unless you have the proper equipment and experience to perform the job safely. Have it done by a qualified tire repair service.

T47;0110 K533 170985

2. Before attempting any demounting operation, always completely deflate tire by removing valve core (A) from valve. Check the valve stem by running a probe through it, making sure the valve stem is not plugged. Remove valve nut (B).
3. Inspect all parts for damage; replace parts as necessary.



1AG;T6145AD T47;0110 K534 170985

INSTALL TIRE



CAUTION: Failure to follow proper procedures when demounting a tire from a wheel or rim can produce an explosion which may result in serious bodily injury. **DO NOT** attempt to demount a tire unless you have the proper equipment and experience to perform the job safely. Have it done by a qualified tire repair service.

NOTE: See the John Deere Off-The-Road Tire Maintenance Manual to mount the tire on the wheel.

1. Make sure all parts are clean and free from rust or grease before assembly.

T47;0110 K535 170985

2. To prevent slipping of the wheel under load, the inside and outside of wheel (B) must be free of paint, rust, oil, grease, dirt or other foreign material before installation.

3. Install valve stem (D) in rim base and tighten valve core housing finger tight.

4. Put John Deere Non-Soap Lubricating Grease, or an equivalent, on threads of pipe cap (if equipped). Install pipe cap on valve stem shield.

CAUTION: Serious bodily injury can occur from explosion when mounting and inflating tires if safe procedures are not followed.

5. Before mounting tire on rim, add soap lubricant to beads of the tire and O-ring (C).

6. Before adding air to tire, make sure the back ring (A) fits tight against the base all around the circumference.

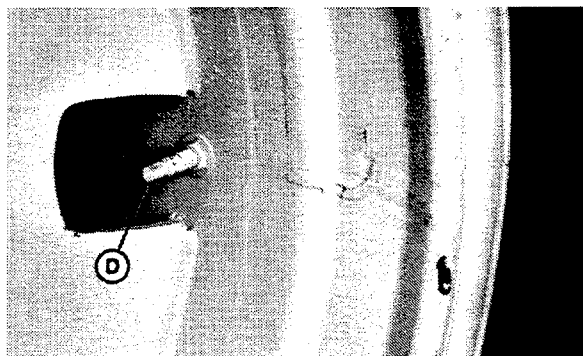
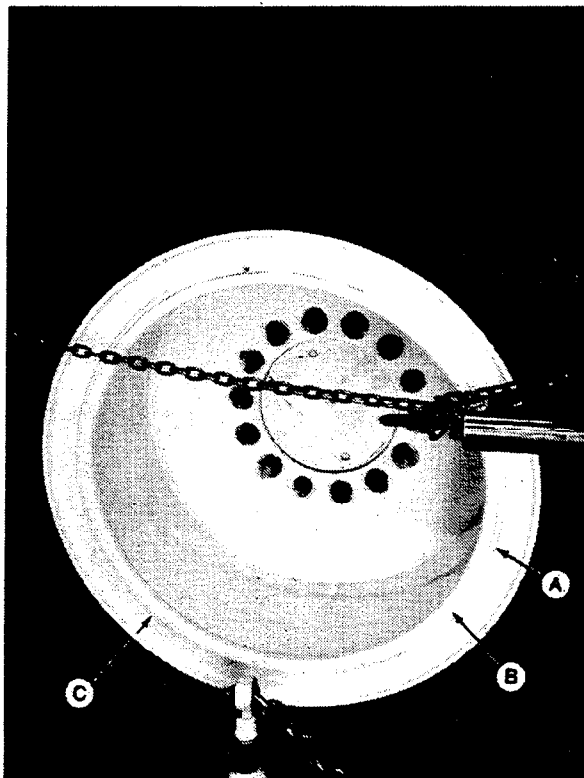
7. Clear the area of all persons.

8. Use a pressure-regulating valve with clip-on chuck and extension hose long enough to allow you to stand well to one side and NOT in front of the assembly while inflating.

9. Use only recommended air pressure. Pressure over this limit can cause explosion.

10. Add air until side flange of tire slides out against the back ring.

11. Before completely inflating tire, again make certain the back ring is in its proper groove completely around the rim.



1AG;T6144AW, T6145AD1 T47;0110 K536 170985

444D

Tire Size	Type	Ply Rating	Cold Tire Inflation Pressure	
			Min psi (kPa)(bar)	Normal psi (kPa)
13.0 x 24.0	G2	8	40 (280) (2.8)	50 (340) (3.5)
15.5 x 25.0	L2	8	40 (280) (2.8)	45 (310) (3.1)
15.5 x 25.0	L2	12	45 (310) (3.1)	55 (380) (3.8)
15.5 x 25.0	XRAT	(1) STAR	front 50 (340) (3.5)	50 (340) (3.5)
			rear 30 (210) (2.1)	30 (210) (2.1)
17.5 x 25.0	L2	12	40 (280) (2.8)	50 (340) (3.5)
*18.4 x 26.0	LS2	10	30 (210) (2.1)	30 (210) (2.1)
*23.1 x 26.0	LS2	10	25 (170) (1.7)	25 (170) (1.7)

**Use with log loader*

T47;0110 K537 170985

Powered Wheels and Fastenings

544D

Tire Size	Type	Ply Rating	Cold Tire Inflation Pressure	
			Min psi (kPa)(bar)	Normal psi (kPa)
14.0 x 24.0	G2	10	50 (340) (3.5)	55 (380) (3.8)
14.0 x 24.0	G2	12	50 (340) (3.5)	60 (410) (4.1)
17.5 x 25.0	L2	12	40 (280) (2.8)	50 (340) (3.5)
17.5 x 25.0	L3	12	40 (280) (2.8)	50 (340) (3.5)
17.5 x 25.0	XRAT	(1) STAR	front 50 (340) (3.5) rear 30 (210) (2.1)	50 (340) (3.5) 30 (210) (2.1)
20.5 x 25.0	L2	12	40 (280) (2.8)	50 (340) (3.5)
20.5 x 25.0	L3	12	40 (280) (2.8)	50 (340) (3.5)
*23.1 x 26	LS2	10	25 (170) (1.7)	25 (170) (1.7)
*28.1 x 26	LS2	14	30 (210) (2.1)	30 (210) (2.1)

**Use with feller buncher and log loader.*

T47:0110 K540 180985

644D

Tire Size	Type	Ply Rating	Cold Tire Inflation Pressure	
			Min psi (kPa)(bar)	Normal psi (kPa) (bar)
16.0 x 24	G2	12	45 (310) (3.1)	50 (340) (3.5)
17.5 x 25	L2	12	50 (340) (3.5)	60 (410) (4.1)
20.5 x 25	L2	12	40 (280) (2.8)	50 (340) (3.5)
20.5 x 25	L3	12	40 (280) (2.8)	50 (340) (3.5)
20.5 x 25	L3	16	50 (340) (3.5)	60 (410) (4.1)
20.5 x 25	XRAT	(1) STAR	front 50 (340) (3.5) rear 30 (210) (2.1)	50 (340) (3.5) 30 (210) (2.1)
23.5 x 25	L3	20	40 (280) (2.8)	45 (310) (3.1)
*28.1 x 26	LS2	14	30 (210) (2.1)	30 (210) (2.1)

**Use with log loader.*

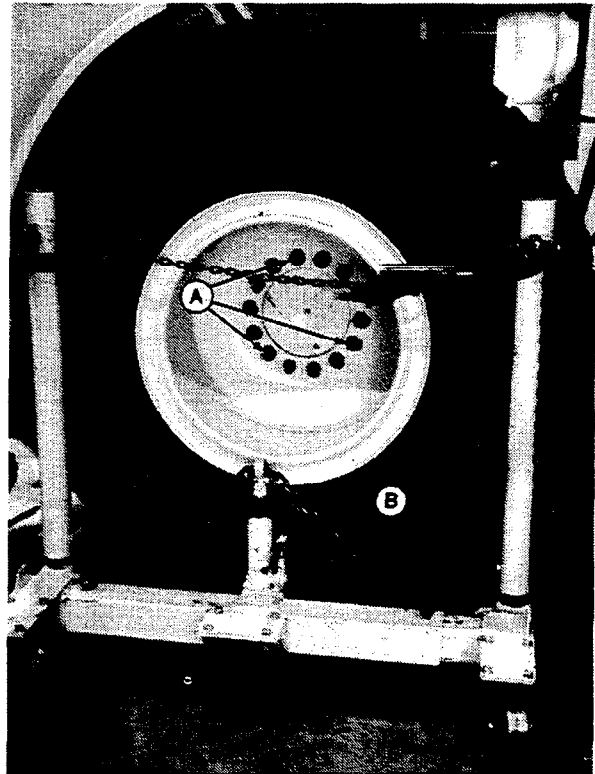
T47:0110 K541 180985

12. Check air pressure in all tires with an accurate gauge having 7 kPa (0.1 bar) (1 psi) graduations. Be sure that tire pressures are equal for all four tires where applicable.

T47:0110 K542 180985

INSTALL LOADER WHEEL ASSEMBLY

1. Thoroughly clean the cap screws, washers and the tapped holes in the flanged axle. Use compressed air to dry all parts and tapped holes.
2. Install special studs (A) in the flanged axle. The special studs are used as guides for installing loader wheels.
3. Use a wheel lift (B) to install the wheel.

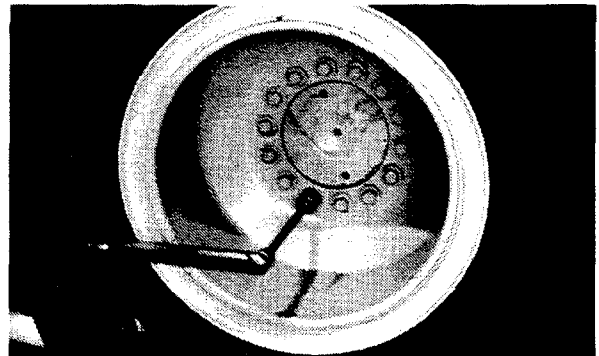


1AG,T6144AX T47;0110 K538 170985

4. Install and tighten cap screws to 203 ± 20 N·m (150 ± 15 lb-ft).
5. Lower the loader to the ground.

IMPORTANT: If a power wrench is used, be sure that the cap screws are engaged to prevent stripping. Run the wrench slowly to prevent thread damage.

6. Cross tighten the cap screws to 410 ± 40 N·m (300 ± 30 lb-ft).



1AG,T6144AY T47;0110 K539 170985

Section 02

AXLES AND SUSPENSION SYSTEMS

CONTENTS

	Page		Page
GROUP 0200—REMOVAL AND INSTALLATION		GROUP 0225—INPUT DRIVE SHAFTS AND U-JOINTS	
Service Equipment and Tools	0200- 1	Other Materials	0225- 1
Other Materials	0200- 1	Specifications	0225- 2
Specifications	0200- 1	Double Universal Joint	
Front Axle and Differential		Remove	0225- 3
Remove	0200- 2	Disassemble and Inspect	0225- 3
Install	0200- 3	Assemble	0225- 4
Rear Axle and Differential		Install	0225- 8
Remove	0200- 4	Support Bearing	
Install	0200- 6	Remove	0225- 5
		Install	0225- 7
GROUP 0210—DIFFERENTIAL OR BEVEL DRIVE		Universal Joint Drive Shaft	
Service Equipment and Tools	0210- 1	Remove	0225- 6
Other Materials	0210- 1	Inspect	0225- 6
Specifications	0210- 2	Assemble	0225- 7
Front Oscillating Support		Install	0225- 7
Remove and Disassemble	0210- 3	Rear Differential Drive Line	
Rear Oscillating Support		Remove	0225- 9
Remove and Disassemble	0210- 4	Disassemble	0225- 9
Input Quill and Drive Shaft		Assemble	0225-10
Remove and Disassemble	0210- 6	Install	0225-11
Differential Housing			
Remove	0210-10	GROUP 0250—AXLE SHAFT, BEARINGS, REDUCTION GEARS	
Disassemble	0210-12	Service Equipment and Tools	0250- 1
Assemble	0210-19	Other Materials	0250- 1
No Spin Differential		Axle Specifications	0250- 2
Disassemble	0210-24	Planet Pinion Carrier	
Assemble	0210-27	Remove	0250- 2
Differential Housing		Disassemble	0250- 3
Install	0210-31	Inspect	0250- 3
Adjust Differential Preload	0210-32	Assemble	0250- 5
Assemble Input Quill and Drive Shaft	0210-35	Axle Housing	
Adjust Cone Point	0210-35	Remove Axle Shaft	0250- 6
Adjust Drive Shaft	0210-37	Disassemble	0250- 8
Assemble Front Oscillating Support	0210-39	Assemble	0250- 9
Adjust Differential Backlash	0210-43	Grease Outer Axle Bearing	0250-11
Check Bearing Pattern	0210-44	Adjust	0250-12
Test Differential Assembly with Air	0210-47	Install Brake Disk and Brake	
Test Differential Assembly with Oil	0210-48	Backing Plate	0250-16
Assemble Differential Covers	0210-48		
Final Assembly	0210-49		

Continued on next page

T47;0200 K1 111185



Suggest:

If the above button click is invalid.

Please download this document

first, and then click the above link

to download the complete manual.

Thank you so much for reading

CONTENTS—Continued

Page

GROUP 0260—HYDRAULIC SYSTEM

Unloading Valve

Remove and Install. 0260- 1

Cross Section 0260- 2

Disassemble, Inspect and Assemble . . . 0260- 2

<https://www.ebooklibonline.com>

Hello dear friend!

Thank you very much for reading.

Enter the link into your browser.

The full manual is available for immediate download.

<https://www.ebooklibonline.com>