

**350C, 350D  
Crawler Bulldozer  
350C, 355D  
Crawler Loader**



**JOHN DEERE**

**TECHNICAL MANUAL**

350C, 350D Crawler Bulldozer 350C,  
355D Crawler Loader

TM1115 (01NOV86) English

**John Deere Dubuque Works  
TM1115 (01NOV86)**

LITHO IN U.S.A.  
ENGLISH



# 350C AND 350D CRAWLER BULLDOZERS 350C AND 355D CRAWLER LOADERS TECHNICAL MANUAL TM-1115 (NOV-86)

## SECTION AND GROUP CONTENTS

### SECTION I—GENERAL INFORMATION

- Group I—Introduction and Safety
- Group II—Specifications
- Group III—Torque Values
- Group IV—Fuels and Lubricants
- Group V—Inspection Procedures

### SECTION 1—TRACKS

- Group 0130—Track Systems
- Group 0199—Specifications and Special Tools

### SECTION 2—AXLES AND SUSPENSION SYSTEMS

- Group 0201—Drive Axle Housing and Support
- Group 0210—Differential or Bevel Drive
- Group 0225—Input Drive Shafts
- Group 0250—Axle Shaft, Bearings and Reduction Gears
- Group 0299—Specifications and Special Tools

### SECTION 3—TRANSMISSION

- Group 0315—Controls
- Group 0341—Housings and Covers
- Group 0350—Gears, Shafts, Bearings and Power Shift Clutch
- Group 0360—Transmission Hydraulics
- Group 0399—Specifications and Special Tools

### SECTION 4—ENGINES

- Group 0401—Crankshaft and Main Bearings
- Group 0402—Camshafts and Valve Actuating Means
- Group 0403—Connecting Rods and Pistons
- Group 0404—Cylinder Block (Liners)

### SECTION 4—ENGINES—CONTINUED

- Group 0405—Carburetor
- Group 0406—Governor
- Group 0407—Engine Oiling System
- Group 0408—Ventilating System
- Group 0409—Cylinder Head and Valves
- Group 0410—Exhaust Manifold
- Group 0411—Ignition System
- Group 0413—Fuel Injection System
- Group 0414—Intake Manifold
- Group 0415—Engine Balancer
- Group 0416—Turbocharger
- Group 0417—Water Pump
- Group 0418—Thermostats, Housings and Piping
- Group 0419—Engine Oil Cooler
- Group 0420—Fuel Filter
- Group 0421—Fuel Transfer Pump
- Group 0422—Starting System
- Group 0433—Flywheel, Housing and Fasteners
- Group 0499—Specifications and Special Tools

### SECTION 5—ENGINE AUXILIARY SYSTEMS

- Group 0505—Cold Weather Starting Aids
- Group 0510—Engine Cooling Systems
- Group 0520—Intake System
- Group 0560—External Fuel Supply Systems
- Group 0599—Specifications and Special Tools

### SECTION 15—EQUIPMENT ATTACHING

- Group 1511—Drawbar
- Group 1520—Hitches and Hitch Pins
- Group 1599—Specifications and Special Tools

*All information, illustrations and specifications contained in this technical manual are based on the latest information available at the time of publication. The right is reserved to make changes at any time without notice. Whenever applicable, specifications and design information are in accordance with SAE and ICED standards.*

Copyright© 1986  
DEERE & COMPANY  
Moline, Illinois  
All Rights Reserved  
Previous Editions  
A JOHN DEERE ILLUSTRATION

Previous Editions  
Copyright© 1984 Deere & Company  
Copyright© 1983 Deere & Company  
Copyright© 1960 Deere & Company  
Copyright© 1979 Deere & Company  
Copyright© 1976 Deere & Company  
Copyright© 1974 Deere & Company

T64;1115 K13 131086

**SECTION AND GROUP CONTENTS—CONTINUED****SECTION 16—ELECTRICAL SYSTEMS**

- Group 1671—Batteries, Support and Cables
- Group 1672—Alternator, Regulator and Charging System Wiring
- Group 1673—Vehicle Lighting System
- Group 1674—Wiring Harness and Switches
- Group 1699—Specifications and Special Tools

**SECTION 17—CRAWLER MAIN FRAME**

- Group 1741—Crawler Main Frame
- Group 1746—Frame Bottom Guard
- Group 1749—Chassis Weights
- Group 1799—Specifications and Special Tools

**SECTION 18—OPERATOR'S STATION**

- Group 1806—Safety Equipment
- Group 1808—Comfort and Convenience Items
- Group 1810—Operator Enclosure
- Group 1821—Seat
- Group 1823—Instruments and Indicators
- Group 1824—External Engine Speed Controls
- Group 1899—Specifications and Special Tools

**SECTION 19—SHEET METAL**

- Group 1910—Hood or Engine Enclosure
- Group 1921—Grille and Grille Housing

**SECTION 21—MAIN HYDRAULIC SYSTEM**

- Group 2160—Hydraulic System
- Group 2199—Specifications and Special Tools

**SECTION 30—WINCH**

- Group 3015—Controls Linkage
- Group 3041—Housing and Mounting Structure
- Group 3050—Winch Drive and Clutches
- Group 3060—Winch Hydraulic System
- Group 3099—Specifications and Special Tools

**SECTION 31—LOADER**

- Group 3102—Buckets
- Group 3103—Forks
- Group 3115—Controls Linkage
- Group 3140—Loader Frames
- Group 3160—Loader Hydraulics
- Group 3199—Specifications and Special Tools

**SECTION 32—DOZER**

- Group 3201—Blade
- Group 3215—Controls Linkage
- Group 3241—Main Frame
- Group 3243—Moveable Frames
- Group 3399—Specifications and Special Tools

**SECTION 33—9250 BACKHOE**

- Group 3302—Bucket
- Group 3315—Controls Linkage
- Group 3340—Frames
- Group 3360—Hydraulic System
- Group 3399—Specifications and Special Tools

**SECTION 33A—9300 BACKHOE**

- Group 3302—Bucket
- Group 3315—Controls Linkage
- Group 3340—Frames
- Group 3360—Hydraulic System
- Group 3399—Specifications and Special Tools

**SECTION 33B—9550 BACKHOE**

- Group 3302—Bucket
- Group 3315—Controls Linkage
- Group 3340—Frames
- Group 3360—Hydraulic System
- Group 3399—Specifications and Special Tools

**SECTION 37—LOG ARCH**

- Group 3740—Frames

**SECTION 40—WINCH DRIVE**

- Group 4015—PTO Control
- Group 4051—Gears, Shafts and Bearings

**SECTION 41—MISCELLANEOUS FUNCTION MECHANICAL DRIVES**

- Group 4158—Output Shaft or Pulley
- Group 4199—Specifications and Special Tools

**SECTION 42—GROUND CONDITIONING TOOL**

- Group 4201—Teeth and Shanks
- Group 4240—Frame
- Group 4260—Hydraulic System
- Group 4299—Specifications and Special Tools

**SECTION 90—SYSTEM TESTING**

- Group 9005—Operational Checkout Procedure
- Group 9010—Engine
- Group 9015—Electrical System
- Group 9020—Power Train
- Group 9025—Hydraulic System
- Group 9025A—Hydraulic System (Analyzer)
- Group 9030—Miscellaneous Components
- Group 9035—Specifications and Special Tools

**<https://www.ebooklibonline.com>**

Hello dear friend!

Thank you very much for reading.

Enter the link into your browser.

The full manual is available for immediate download.

**<https://www.ebooklibonline.com>**

## INTRODUCTION

This manual is part of a total service support program.

### FOS Manuals—reference

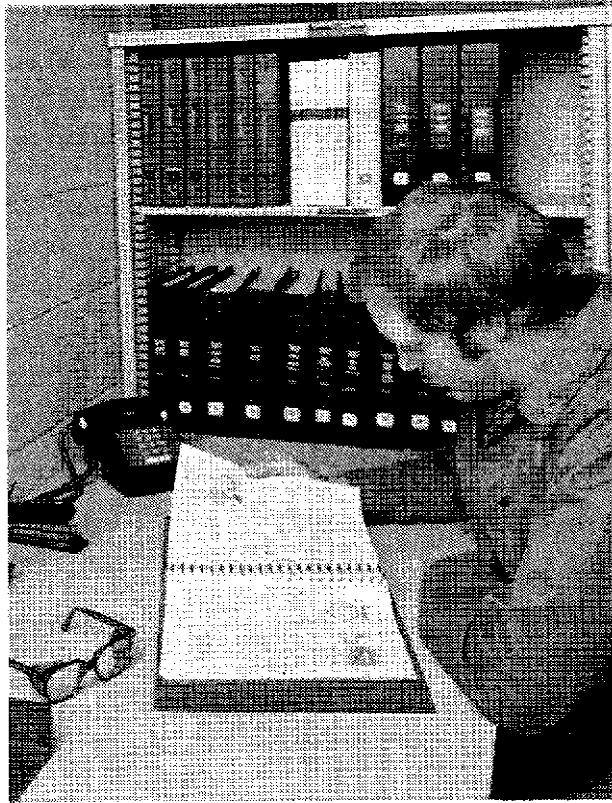
### Technical Manuals—machine service

### Component Manuals—component service

*Fundamentals of Service (FOS) Manuals* cover basic theory of operation, fundamentals of troubleshooting, general maintenance, and basic types of failures and their causes. FOS Manuals are for training new personnel and for reference by experienced technicians.

*Technical Manuals* are concise service guides for specific machines. Technical manuals are on-the-job guides containing only the vital information needed by an experienced service technician.

*Component Technical Manuals* are concise service guides for specific components. Component technical manuals are written as stand alone manuals covering multiple machine applications.



AB6:RW5559 053:INTRO2 030785

## FEATURES OF THIS TECHNICAL MANUAL

John Deere ILLUSTRATION format emphasizing illustrations and concise instructions in easy-to-use modules.

Emphasis on diagnosis, analysis, and testing so you can understand the problem and correct it.

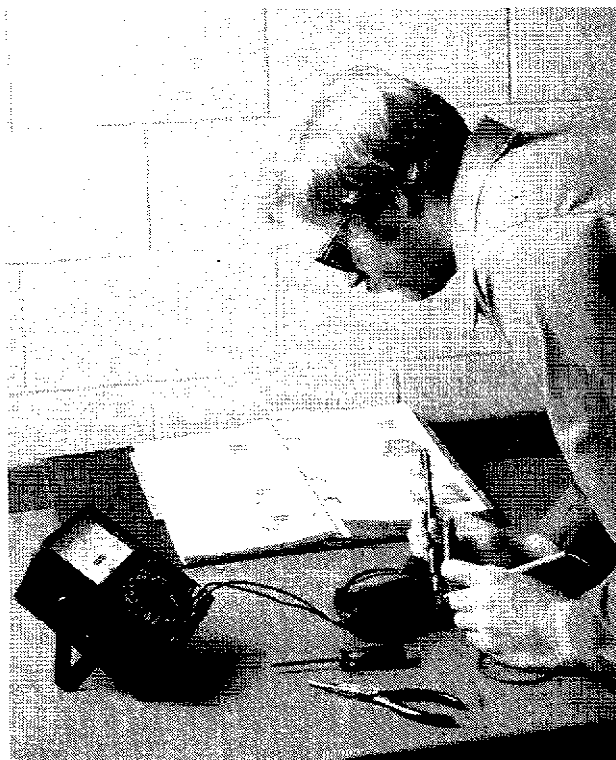
Diagnostic information presented with the most logical and easiest to isolate problems first to help you identify the majority of routine failures quickly.

Step-by-step instructions for teardown and assembly.

Summary listing at the beginning of each group of all applicable specifications, wear tolerances, torque values, essential tools, and materials needed to do the job.

An emphasis throughout on safety—so you do the job right without getting hurt.

This technical manual was planned and written for you—an experienced service technician. Keep it in a permanent binder in the shop where it is handy. Refer to it when you need to know correct service procedures or specifications.



AB6:RW5560 053:INTRO3 071085

### RECOGNIZE SAFETY INFORMATION

This is the safety-alert symbol. When you see this symbol on your machine or in this manual, be alert to the potential for personal injury.



AB6;T81389 053;ALERT 071085

### UNDERSTAND SIGNAL WORDS

A signal word—DANGER, WARNING, or CAUTION—is used with the safety-alert symbol. DANGER identifies the most serious hazards.

Safety signs with signal word DANGER or WARNING are typically near specific hazards.

General precautions are listed on CAUTION safety signs. CAUTION also calls attention to safety messages in this manual.



AB6;T5187 053;SIGNAL 071085

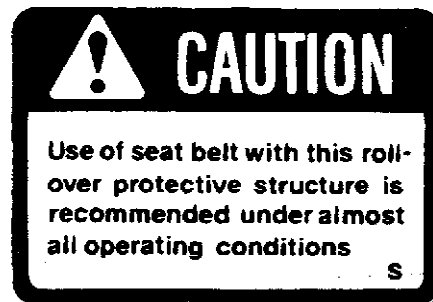
### FOLLOW SAFETY INSTRUCTIONS

Carefully read all safety messages in this manual and on your machine safety signs. Follow recommended precautions and safe operating practices.

Keep safety signs in good condition. Replace missing or damaged safety signs.



AB6;TS188 053;SIGNS 071085



*On right front ROPS post near the top, facing the operator.*

018;T60018E T82;05 M1 120186




**1. Tractor can tip forward when lowering weights exceeding 6,200 lbs. from elevated positions. To prevent forward tipping when lowering heavy loads, counterbalance tractor with at least 500 lbs. rear weight or rear mounted equipment.**

**2. Never move pipe or other loads above workmen.**

S

355D—On support casting at right of instrument panel.

018;T6192AJ T82;05 M2 191285



**1. Do not operate except from operator's seat.**

**2. Lower working units to the ground before leaving operator's seat.**

**3. Never leave tractor unattended with engine running.**

**4. Travel slowly when moving over rough terrain.**

**5. Carry working units as low as possible.**

S

350D—On slope of battery box cover, between latch and lock slot.

355D—On support casting at right of instrument panel.

018;T6192AK T82;05 M3 191285

 **WARNING**

**AVOID POSSIBLE INJURY OR DEATH FROM A MACHINE RUNAWAY.**

1. Do not start engine by shorting across starter terminals. Machine will start in gear and move if normal starting circuitry is bypassed.
2. Start engine only from operator's seat with transmission in neutral or park. **NEVER** start engine while standing on ground. **S**

*350D—On right side of cowl support next to left edge of engine side shield.*

*355D—In right side of engine compartment on front of loader frame plate.*

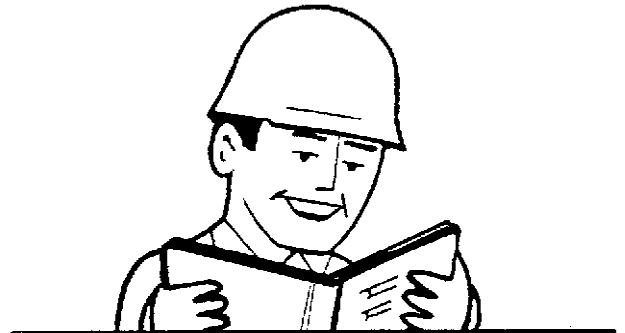
018;T6084AZ T82;05 M4 140186

**LEARN MACHINE SAFETY**

Carefully read this manual. Learn how to operate the machine and how to use the controls properly.

Do not let anyone operate this machine without proper instruction.

Unauthorized modifications to the machine may impair the function and/or safety and affect machine life.



AB6;M35220 053;READ1 080785

**USE HANDHOLDS AND STEPS**

When you get on and off the machine, use handholds and steps.



018;T6192AH T82;BNSA CM 010686

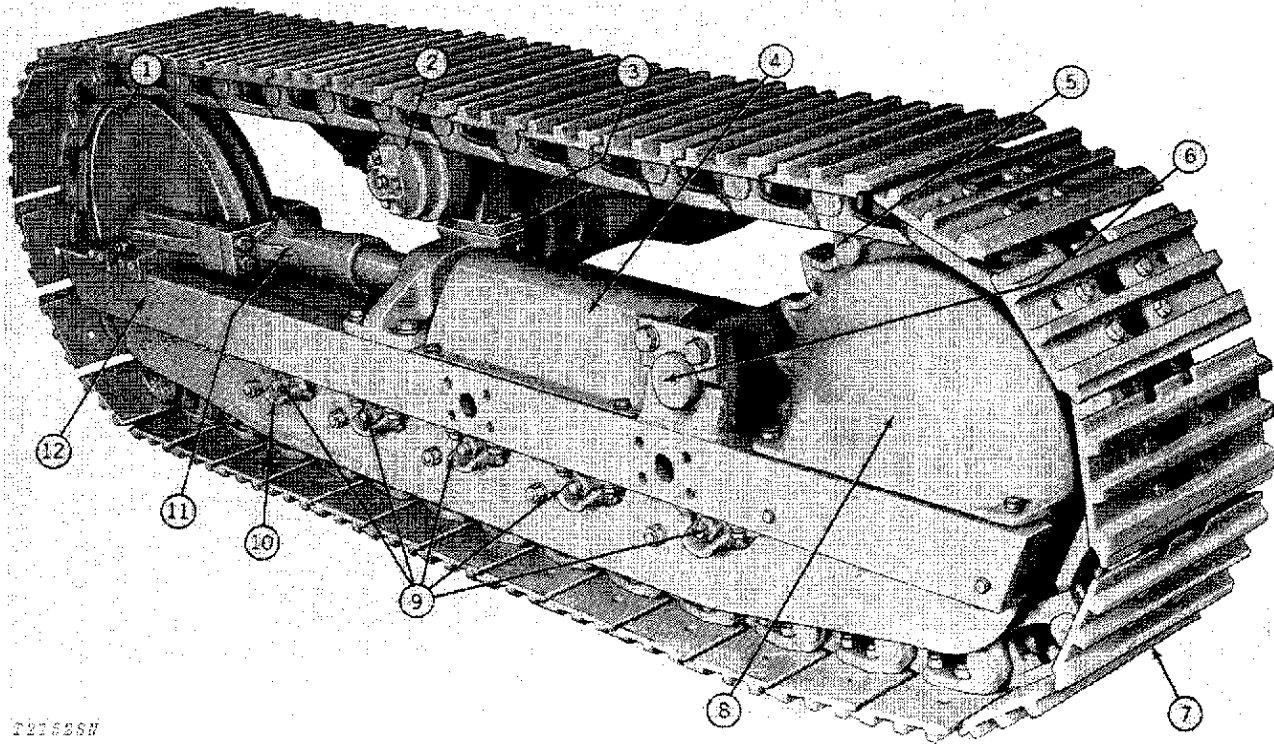
# Section 1 TRACKS

## CONTENTS OF THIS SECTION

	Page		Page
GROUP 0130 - TRACK SYSTEMS		GROUP 0130 - TRACK SYSTEMS—Continued	
General Information . . . . .	0130-3	Carrier Rollers	
Track Frames and Undercarriages		General Information . . . . .	0130-38
Track Carrier Assembly		Measuring Carrier Roller Wear . . . . .	0130-38
Removal . . . . .	0130-4	Removal . . . . .	0130-40
Repair . . . . .	0130-4	Repair (350C) . . . . .	0130-40
Installation . . . . .	0130-6	Repair (350D, 355D) . . . . .	0130-41
Drive Sprockets		Installation . . . . .	0130-40
General Information . . . . .	0130-7	Front Idler	
Measuring Sprocket Wear . . . . .	0130-7	General Information . . . . .	0130-43
Removal . . . . .	0130-8	Measuring Front Idler Wear . . . . .	0130-44
Repair . . . . .	0130-8	Removal . . . . .	0130-45
Installation . . . . .	0130-9	Repair (350C) . . . . .	0130-46
Track Shoes		Repair (350D, 355D) . . . . .	0130-47
General Information . . . . .	0130-10	Installation . . . . .	0130-50
Measuring Grouser Bar Height . . . . .	0130-10	Track Idler Recoil Spring	
Removal . . . . .	0130-11	General Information . . . . .	0130-51
Repair . . . . .	0130-11	Removal . . . . .	0130-51
Installation . . . . .	0130-11	Repair . . . . .	0130-52
Track Chain Assembly		Installation . . . . .	0130-52
General Information . . . . .	0130-12	Hydraulic Track Tension	
Measuring Chain Wear . . . . .	0130-12	Adjuster	
Removal . . . . .	0130-15	General Information . . . . .	0130-52
Repair . . . . .	0130-18	Removal . . . . .	0130-52
Installation . . . . .	0130-26	Repair . . . . .	0130-52
Track Rollers		Installation . . . . .	0130-53
General Information . . . . .	0130-29	GROUP 0199 - SPECIFICATIONS AND	
Checking Roller Wear . . . . .	0130-30	SPECIAL TOOLS	
Removal . . . . .	0130-31	Specifications and Torque Values . . . . .	0199-1
Repair (350C) . . . . .	0130-32	Special Tools . . . . .	0199-9
Repair (350D, 355D) . . . . .	0130-34		
Installation . . . . .	0130-33		

## Group 0130 TRACK SYSTEMS

### GENERAL INFORMATION



FD1528N

- |                        |                        |                   |                   |
|------------------------|------------------------|-------------------|-------------------|
| 1—Track Idler          | 4—Track Idler Spring   | 7—Track           | 10—Rock Guard     |
| 2—Track Carrier Roller | 5—Track Drive Sprocket | 8—Sprocket Shield | 11—Track Adjuster |
| 3—Front Crossbar       | 6—Rear Crossbar        | 9—Track Rollers   | 12—Track Frame    |

Fig. 1-Track System

The track system for the JD350-C Crawler consists of two tracks mounted on track frame assemblies, piloted by and connected to two fixed crossbars (Fig. 1). The track frame assemblies are fastened to the crossbars to give a fixed gauge setting of 48 inches (1.2 m). The track frame has five track roller assemblies.

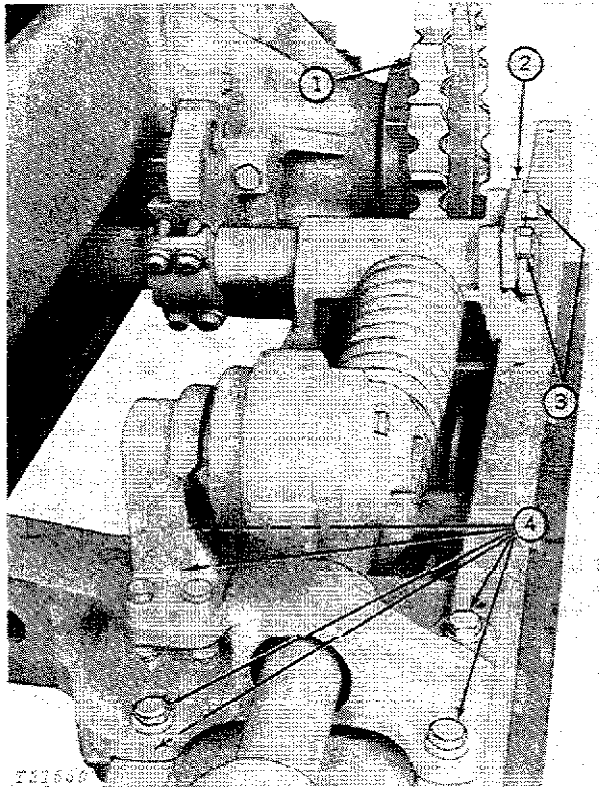
A special wide tread track is available for snow operation on crawlers without loaders. Track gauge is fixed at 68 inches (1.7 m).

Each track frame assembly consists of a fixed single unit of welded steel frame which supports the roller assemblies and the front idler wheel with its adjusting mechanism. The assembly is clamped to the fixed crossbars which support the weight of the tractor.

## TRACK FRAMES AND UNDERCARRIAGES

### TRACK FRAME ASSEMBLY

#### Removal



1—Drive Sprocket  
2—Retainer

3—Rear Attaching Points  
Cap Screws  
4—Front Attaching Points  
Cap Screws

Fig. 2—Removing Track Frame

Remove track as directed on page 0130-15.

Slip entire idler assembly off front end of track carrier frame.

Remove sprocket shield or sprocket weight.

Remove sprocket (1, Fig. 2) from flanged axle shaft (or axle extension on units with wide tread option).

Remove cap screws attaching inner rock guard to final drive housing.

**IMPORTANT:** Do not permanently remove rock guards or cut out portions of rock guards on the track roller frames to aid in clearing dirt out of the roller area. The rock guards add much strength to the track roller frame construction and should not be "cut out" or left off the machine.

Remove cap screws (4) attaching front crossbar to track frame (Fig. 2).

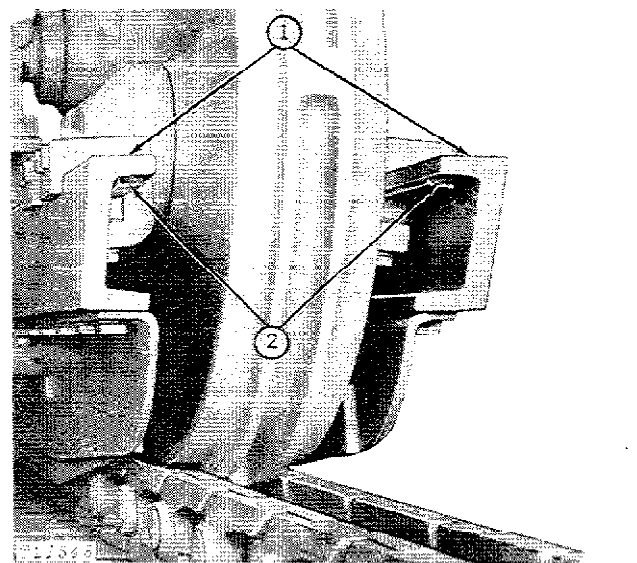
Remove cap screws (3) and retainer attaching track frame to rear crossbar (Fig. 2).

Raise crawler with jack or hoist under both crossbars until roller flanges clear track. Pull track carrier assembly from rear crossbar.

Due to the welded construction of the track frame no further disassembly of the frame should be attempted unless wear strips are worn and require replacing.

#### Repair

Inspect for bent channel frames, excessive wear on track frame channel wear strips, and cracks or broken welds. If wear strips (Fig. 3) are excessively worn, they must be removed and replaced.



1—Track Frames      2—Track Frame Channel Wear Strips

Fig. 3—Track Frame Channel Wear Strips

### Replacing Track Frame Channel Wear Strips

**IMPORTANT:** Disconnect battery ground strap or turn master battery disconnect switch to the "off" position if so equipped before doing any welding on the crawler. Failure to do so may damage the electrical system.

Release track cylinder pressure to loosen track. Remove master track pin and split track.

Remove and replace worn track wear strips as follows:

Grind off the old wear strip inside the track frame channel (Fig. 3) so that none of the strips or welds remain.

Clamp new wear strips evenly but not tightly to track frame channel. A secure clamping which still allows a slight wear strip shift will prevent cracking of weld fillet during cooling.

Using a low hydrogen electrode (0.125 inch [3.18 mm] dia. rec.) and a fairly low melting current (100-115 amp), melt as little as possible of the wear strip by starting and maintaining the arc primarily on the track frame channel. The wear strip is a high carbon steel, so best results are obtained by washing the weld metal toward the wear strip. This will produce a slightly convex weld fillet.

None of the other integral parts of the frame are furnished as repair parts. It will be necessary to replace the entire carrier if damage is such that it cannot be repaired by straightening or welding the damaged parts.

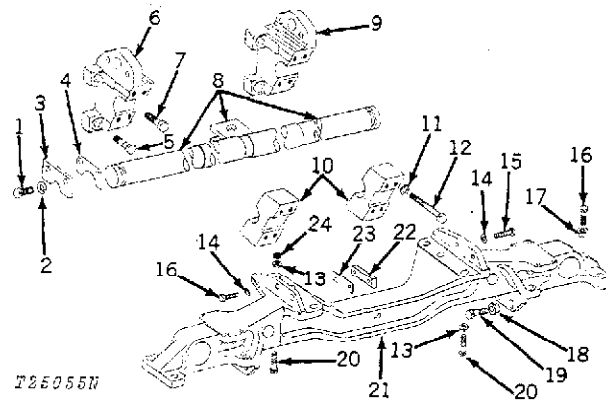
Join track and install master pin and snap ring.

**NOTE:** To adjust track tension and to check track alignment, refer to Section 90, Group 9030.

Connect negative battery ground strap.

### Disassembly and Assembly

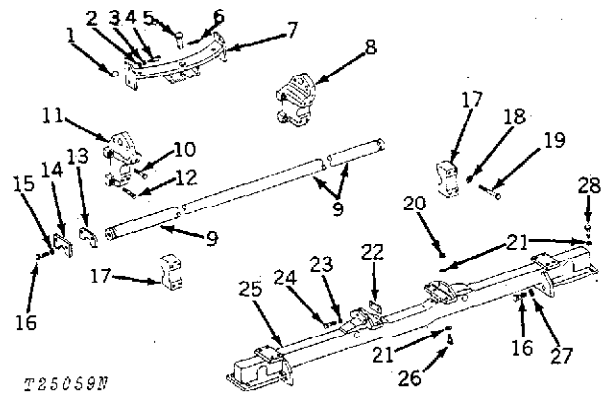
Refer to Fig. 4 or 5 for position of parts during disassembly and assembly.



T 25055N

- |                              |  |
|------------------------------|--|
| 1—Cap Screw (4 used)         | 12—Cap Screw (8 used)                  |
| 2—Lock Washer (4 used)       | 13—Special Washer (8 used)             |
| 3—Rear Bar Retainer (2 used) | 14—Special Washer (4 used)             |
| 4—Shim (approx. 6 used)      | 15—Cap Screw (2 used)                  |
| 5—Special Cap Screw (4 used) | 16—Cap Screw (10 used)                 |
| 6—Rear Bar Right Bracket     | 17—Flanged Spacer (8 used)             |
| 7—Cap Screw (4 used)         | 18—Flanged Spacer (4 used)             |
| 8—Rear Crossbar              | 19—Cap Screw (4 used)                  |
| 9—Rear Bar Left Bracket      | 20—Cap Screw (6 used)                  |
| 10—Rear Bar Cap (2 used)     | 21—Front Crossbar                      |
| 11—Special Washer (8 used)   | 22—Tapping Bar                         |
|                              | 23—Shim (approx. 2 used) (early units) |
|                              | 24—Nut (2 used)                        |

Fig. 4—Crossbar Assembly



T 25059N

- |                           |                             |
|---------------------------|-----------------------------|
| 1—Hollow Dowel (4 used)   | 15—Lock Washer (4 used)     |
| 2—Special Washer (4 used) | 16—Cap Screw (8 used)       |
| 3—Lock Washer (4 used)    | 17—Rear Bar Cap (2 used)    |
| 4—Cap Screw (4 used)      | 18—Special Washer (8 used)  |
| 5—Pin                     | 19—Cap Screw (8 used)       |
| 6—Pin                     | 20—Lock Nut (2 used)        |
| 7—Bracket                 | 21—Special Washer (16 used) |
| 8—Rear Bar Left Bracket   | 22—Shim (approx. 2 used)    |
| 9—Rear Crossbar           | 23—Special Washer (4 used)  |
| 10—Cap Screw (4 used)     | 24—Cap Screw (4 used)       |
| 11—Rear Bar Right Bracket | 25—Front Crossbar           |
| 12—Cap Screw (4 used)     | 26—Cap Screw (6 used)       |
| 13—Shim (approx. 6 used)  | 27—Special Washer (4 used)  |
| 14—Retainer (2 used)      | 28—Cap Screw (8 used)       |

Fig. 5—Wide Tread Crossbar Assembly

## Installation

Before installing track frame, be sure that front and rear crossbar are secure. Make sure that rear crossbar extends an equal distance from rear bar brackets on both sides. Tighten front crossbar-to-side frame horizontal cap screws and vertical cap screws. Evenly tighten the rear crossbar cap-to-bracket cap screws (12, Fig. 4) to 250 lb-ft (339 Nm).

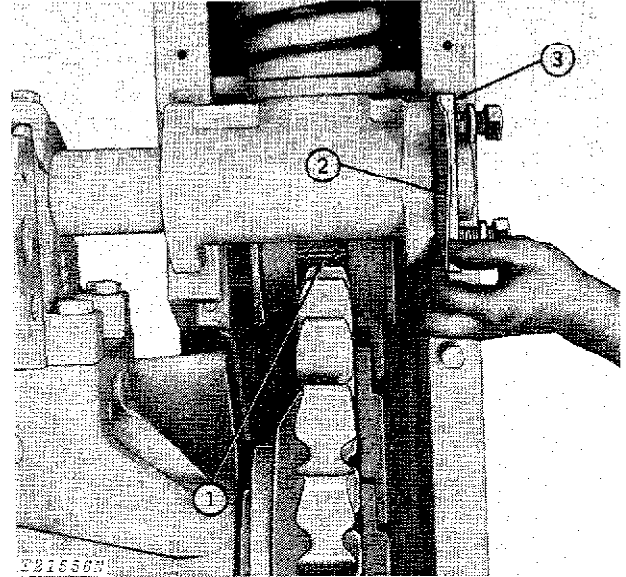
With the tractor supported under both crossbars, start the track frame on the rear crossbar and slide in place. Position the rear crossbar retainer (3) and shims (4) and loosely install the cap screws. Note that spacers are used at front attaching points.

Install the drive sprocket on hub dowels and tighten cap screws.

Shift track frame in or out until drive sprocket is centered between flanges of rear track roller (Fig. 6). Then install just enough shims (2) to fill space between retainer (3) and retainer seating surface.

Tighten the retainer cap screws (1, Fig. 4) to 170 lb-ft (230 Nm) and the front crossbar horizontal cap screws and the vertical cap screws.

Recheck centering of sprocket between rear track flanges.



1—Centered Sprocket                      3—Retainer  
2—Adjusting Shims

Fig. 6-Centering Track Frame

## DRIVE SPROCKETS

### GENERAL INFORMATION

Each track is driven from the rear by a hardened cast steel sprocket receiving power through the final drive and clutch-brake mechanism.

The sprocket is bolted to the axle shaft.

The sprocket is of the hunting tooth design.

### MEASURING SPROCKET WEAR

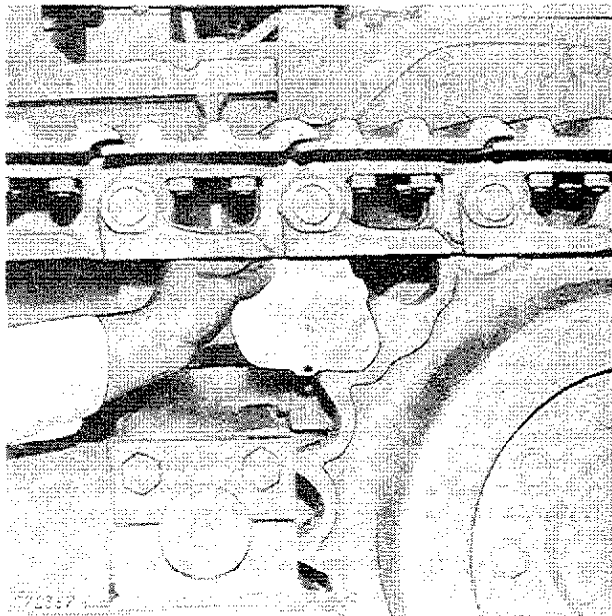


Fig. 7-Measuring Sprocket Wear

Use JDG-43 Sprocket Wear Gauge (part of D-05227ST Undercarriage Inspection Service Tool Kit) to measure sprocket wear.

Place the gauge on the sprocket as shown in Fig. 7, with the gauge against one sprocket tooth.

Measure the gap between the other side of the gauge and the sprocket tooth. Allowable wear is indicated on the gauge.

*NOTE: For additional information on measuring sprockets refer to UNDERCARRIAGE APPRAISAL MANUAL SP-326.*

*NOTE: It is recommended to use the above procedure for more accurate measurements when replacing the track components. A track wear gauge (JD266) is available, enabling the service technician to quickly check the condition of a track assembly.*

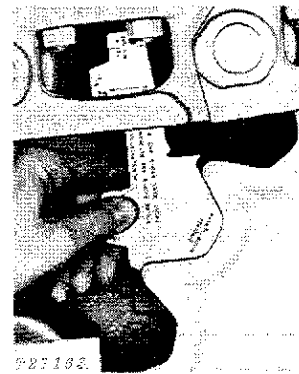


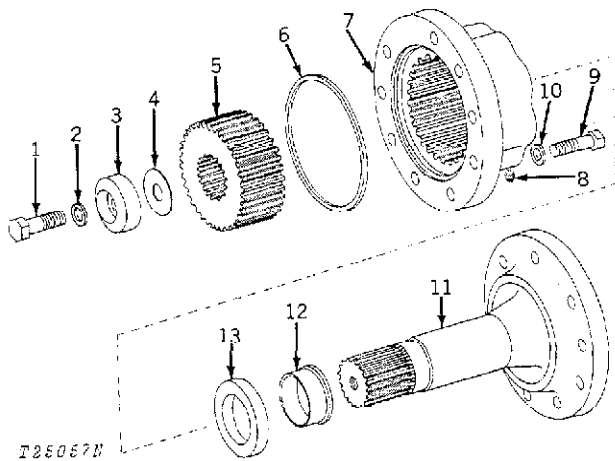
Fig. 8-Measuring Sprocket Wear

Use JD266 Track Wear Gauge to measure sprocket wear.

Place the gauge on the sprocket as shown in Fig. 8, with the gauge against one sprocket tooth.

Measure the gap between the other side of the gauge and the sprocket tooth. Allowable wear is indicated on the gauge.





- |                 |                      |
|-----------------|----------------------|
| 1—Cap Screw     | 8—Pipe Plug          |
| 2—Lock Washer   | 9—Cap Screw (9 used) |
| 3—Gear Retainer | 10—Washer (9 used)   |
| 4—Shim          | 11—Sprocket Shaft    |
| 5—Coupling Gear | 12—Spacer            |
| 6—Packing       | 13—Seal              |
| 7—Housing       |                      |

Fig. 11—Inner Sprocket Shaft and Gear

Remove gear (5, Fig. 11) from housing (7) and sprocket shaft (11) by removing cap screw (1) and gear retainer (3). Press sprocket shaft out of housing while holding seal (13) and spacer (12) in housing. Press seal (13) out and check for wear.

### Assembly

Press seal (13, Fig. 11) into spacer (12) and then press seal into housing (7). With the large end of sprocket shaft (11) down, place housing on sprocket shaft and then place gear (5) on sprocket shaft and into housing as far as it will go. Now lay a flat piece of iron on the gear and press it and the housing onto the sprocket shaft until gear is flush with end of sprocket shaft. Fasten retainer and shim to end of shaft with cap screw (1).

**NOTE:** Do not let the housing assembly sit on the large end of sprocket shaft. This will tend to damage the seal (13, Fig. 11).

Pack the gear cavity area in housing (7) with multi-purpose lubricant. Put packing (6) in place on the flange axle of the final drive and attach inner sprocket housing assembly to the flange axle on the final drive.

**NOTE:** Remove pipe plug (8) from housing before attaching the flange axle so any excess grease or air can escape.

Press bearing (5, Fig. 10) into housing (4). With large end of shaft (2) down, place oil seal (3) on the shaft and press housing on the shaft. Attach shims (6) and retainer (7) on end of shaft with cap screws (8). Replace cover (14). Fill housing with 1-1/2 to 2 cups (355 to 474 mL) of the recommended oil. (See Section I, Group V).

After wide-track outboard bearings have been installed, refer to Group 9030 for alignment of track.

Add shims (16, Fig. 10) between track and housing (4) as required.

## INSTALLATION

The flanged axle shaft, sprocket weight (if used), and the drive sprocket mounting surfaces must be clean, free of grease, oil, paint and rust prior to installation.

See Group 1749 and install sprocket and sprocket weight (if used) on flanged axle shaft. Tighten cap screws as follows:

- D-grade - 170 lb-ft (230 N·m)
- F-grade - 240 lb-ft (325 N·m)

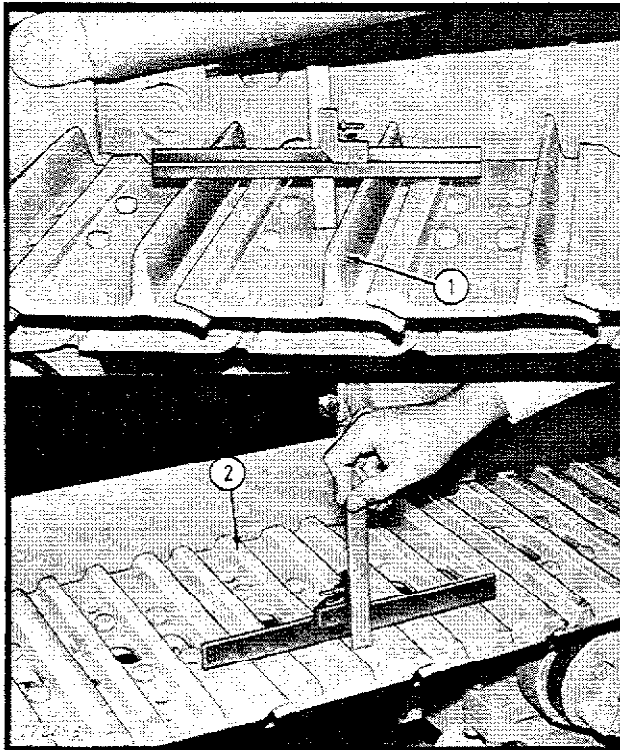
Connect track and remove floor jack from cross member.

## TRACK SHOES

### GENERAL INFORMATION

The five track roller assembly has 36 track shoes and 36 links. Track shoes are available in a variety of widths and types to accommodate various ground and working conditions.

### MEASURING GROUSER BAR HEIGHT



1—Standard Grouser                      2—Triple Semi Grouser

Fig. 12-Grouser Bar Measurement

Use a depth gauge consisting of D-05231ST 300 mm Metric Ruler, D-05265ST 150 mm Metric Ruler and D-05266ST Right Angle Attachment (part of D-05227ST Undercarriage Inspection Service Tool Kit) to measure grouser bar height.

Place a depth gauge over grouser bar as shown in Fig. 12. Repeat the measurement for several grousers and record the average depth.

Standard grouser height on a new shoe is 1.58 in. (40.2 mm). Minimum recommended standard grouser height is 0.75 in. (19.0 mm).

#### Standard Grouser Height

Dimension (allowable wear- 0.83 in. [21.2 mm])	Percent Worn
1.58 in. (40.2 mm)	0
1.50 in. (38.1 mm)	10
1.42 in. (36.0 mm)	20
1.33 in. (33.8 mm)	30
1.25 in. (31.7 mm)	40
1.17 in. (29.6 mm)	50
1.08 in. (27.5 mm)	60
1.00 in. (25.4 mm)	70
0.91 in. (23.2 mm)	80
0.83 in. (21.1 mm)	90
0.75 in. (19.0 mm)	100
0.67 in. (16.9 mm)	110
0.58 in. (14.8 mm)	120
0.50 in. (12.6 mm)	130

Triple semi-grouser height on a new shoe is 0.61 in. (15.5 mm). Minimum recommended triple semi-grouser height is 0.35 in. (9.0 mm).

#### Triple Semi-Grouser Height

Dimension (allowable wear- 0.26 in. [6.5 mm])	Percent Worn
0.61 in. (15.5 mm)	0
0.58 in. (14.9 mm)	10
0.56 in. (14.2 mm)	20
0.53 in. (13.6 mm)	30
0.51 in. (12.9 mm)	40
0.48 in. (12.3 mm)	50
0.45 in. (11.6 mm)	60
0.43 in. (11.0 mm)	70
0.40 in. (10.3 mm)	80
0.38 in. ( 9.6 mm)	90
0.35 in. ( 9.0 mm)	100
0.33 in. ( 8.4 mm)	110
0.30 in. ( 7.7 mm)	120
0.28 in. ( 7.0 mm)	130

**NOTE:** For additional information on measuring grouser bar height, refer to UNDERCARRIAGE APPRAISAL MANUAL SP-326.

**NOTE:** It is recommended to use the previous procedure for more accurate measurements when replacing the track components. A track wear gauge (JD266) is available, enabling the service technician to quickly check the condition of a track assembly.

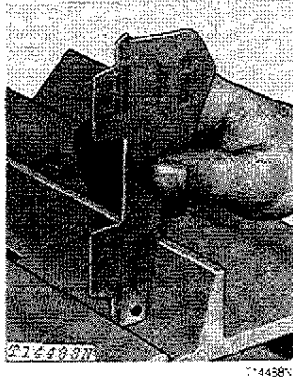


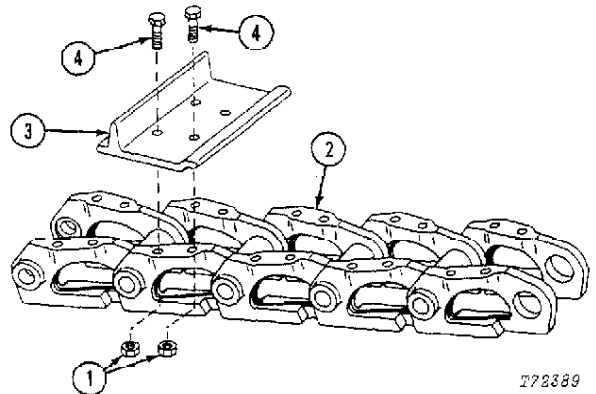
Fig. 13-Grouser Bar Wear

Use JD266 Track Wear Gauge to measure grouser bar wear.

Place gauge upright and against grouser bar as shown in Fig. 13.

Amount of wear is indicated on the gauge.

## REMOVAL



- 1—Special Nut (144 used)      3—Track Shoe (36 used)  
2—Track Assembly              4—Cap Screw (144 used)

Fig. 14-Track Shoe

Remove cap screws (4, Fig. 14) and nuts (1) fastening track shoe (3) to track (2).

Remove track shoe.

## REPAIR

Inspect shoes for excessive grouser wear, cracks or broken shoes.

Replace or rebuild shoes as necessary.

## INSTALLATION

Track shoe mounting surfaces of links and shoes must be clean and free of paint.

Lubricate cap screw threads and the bearing surface of the head.

Install track shoes and cap screws.

Install nuts with the rounded corners toward the track shoes.

Tighten track shoe cap screws to 120 lb-ft (163 N-m).

Tighten rubber track shoe nuts to 89 lb-ft (121 N-m).

## TRACK CHAIN ASSEMBLY

### GENERAL INFORMATION

The track links are joined together by press-fit, replaceable-type hardened pins and bushings. Since the pins and bushings normally wear on one side only, they can be rotated when half-worn and reinstalled for further service.

The ends of the track are joined by a master pin.

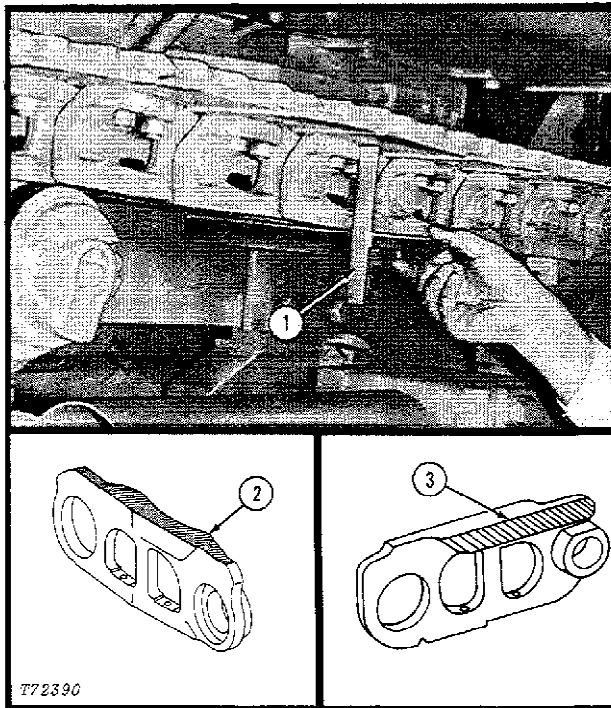
The master pin can be identified by the drill point in the end of the pin.

### MEASURING CHAIN WEAR

Measure the track chain components in as many positions as possible on both sides of the undercarriage.

This procedure will give a more accurate condition of the track.

#### Link Height



1—Link Height Measurement  
2—Link Rail Surface Wear

3—Rail Side Wear

Fig. 15-Link Height Measurement

Use a depth gauge consisting of D-05231ST 300 mm Metric Ruler, D-05265ST 150 mm Metric Ruler and D-05266ST Right Angle Attachment (part of D-05227ST Undercarriage Inspection Service Tool Kit) to measure link height.

Position a depth gauge over a track link as shown in Fig. 15. Record the measurement. Repeat the measurement for several links.

Link height of a new chain is 3.19 in. (81.0 mm). Minimum recommended link height is 3.02 in. (76.7 mm) for rebuilding link.

#### Link Height

Dimension (allowable wear - 0.17 in. [4.3 mm])	Percent Worn
3.19 in. (81.0 mm)	0
3.17 in. (80.6 mm)	10
3.16 in. (80.3 mm)	20
3.15 in. (79.9 mm)	30
3.13 in. (79.5 mm)	40
3.12 in. (79.2 mm)	50
3.10 in. (78.8 mm)	60
3.09 in. (78.4 mm)	70
3.07 in. (78.0 mm)	80
3.05 in. (77.4 mm)	90
3.02 in. (76.7 mm)	100
2.99 in. (76.0 mm)	110
2.96 in. (75.3 mm)	120
2.94 in. (74.6 mm)	130

**NOTE:** For additional information on measuring link height, refer to UNDERCARRIAGE APPRAISAL MANUAL SP-326.

**NOTE:** It is recommended to use the above procedure for more accurate measurements when replacing the track components. A track wear gauge (JD266) is available, enabling the service technician to quickly check the condition of a track assembly.

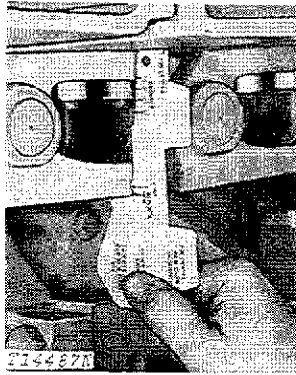
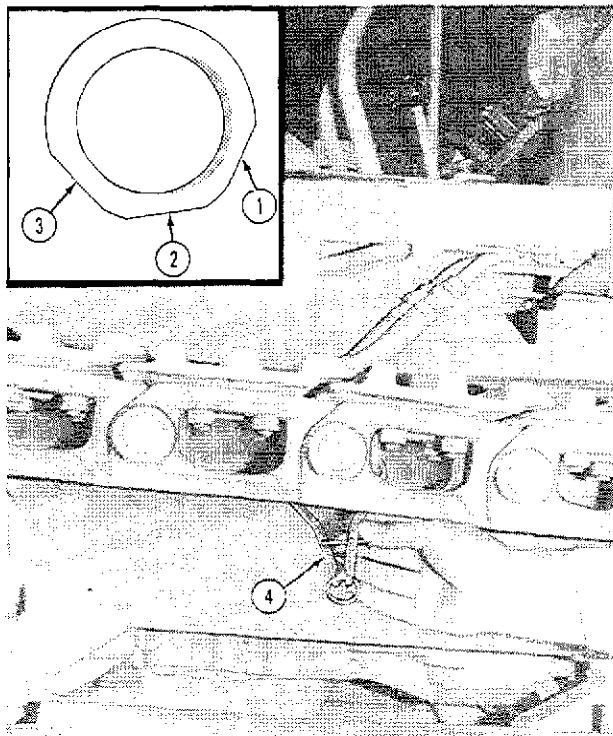


Fig. 16-Link Wear

Use JD266 Track Wear Gauge to measure link wear.

Position gauge on track link as shown in Fig. 16. With top of gauge (end with hole) against track shoe, check position of two arrows on gauge in relation to bottom of link. Link is worn if arrow marked "Replace" is at bottom edge of link.

### Bushing Outer Diameter



- 1—Reverse Drive Wear
- 2—Radial Wear
- 3—Forward Drive Side Wear
- 4—Bushing Outer Diameter Measurement

Fig. 17-Bushing Outer Diameter Measurement

Use a D-17524C1 4 in. Spring Caliper (part of D-05227ST Undercarriage Inspection Service Tool Kit) to measure bushing outer diameter.

Position a caliper around the bushing as shown in Fig. 17. A bushing wears in three positions, so measure wear by positioning the caliper accordingly. Record the smallest measurement. Repeat the measurement for several bushings.

Outside diameter of a new bushing is 1.75 in. (44.5 mm). Minimum recommended bushing outside diameter is 1.63 in. (41.4 mm) for rotating bushing.

### Bushing Outer Diameter

Dimension (allowable wear-0.12 in. [3.1 mm])	Percent Worn
1.75 in. (44.5 mm)	0
1.74 in. (44.2 mm)	10
1.73 in. (43.9 mm)	20
1.72 in. (43.6 mm)	30
1.70 in. (43.3 mm)	40
1.69 in. (43.0 mm)	50
1.68 in. (42.7 mm)	60
1.67 in. (42.4 mm)	70
1.66 in. (42.1 mm)	80
1.65 in. (41.8 mm)	90
1.63 in. (41.4 mm)	100
1.59 in. (40.5 mm)	110
1.56 in. (39.6 mm)	120

NOTE: For additional information on measuring bushing outer diameter, refer to UNDERCARRIAGE APPRAISAL MANUAL SP-326.



**Suggest:**

**If the above button click is invalid.**

**Please download this document**

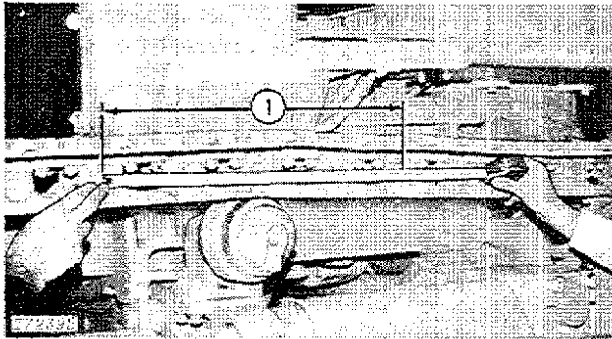
**first, and then click the above link**

**to download the complete manual.**

**Thank you so much for reading**

### Track Pitch

To measure track pitch the track tension must be tight. Place a pin or block in the sprocket and reverse the unit until the track tension is tight.



1—Length Measurement

Fig. 18-Track Pitch Measurement

Use D-05230ST 3 Meter Steel Tape (part of D-05227ST Undercarriage Inspection Service Tool Kit) to measure track pitch.

Position a tape measure between a four link section (5 pins) of the track links as shown in Fig. 18. Record the measurement. Repeat the measurement for several sections, avoiding four sections either side of the master pin.

Distance across a four link section (5 pins) on a new chain is 23.03 in. (584.9 mm). Maximum recommended distance across four links (5 pins) is 23.51 in. (597.1 mm) for rotating pins and bushings.

### Track Pitch

Dimension (allowable wear-0.48 in. [12.2 mm]).	Percent Worn
23.03 in. (584.9 mm)	0
23.08 in. (586.1 mm)	10
23.13 in. (587.3 mm)	20
23.17 in. (588.6 mm)	30
23.22 in. (589.8 mm)	40
23.27 in. (591.0 mm)	50
23.32 in. (592.2 mm)	60
23.37 in. (593.4 mm)	70
23.41 in. (594.7 mm)	80
23.46 in. (595.9 mm)	90
23.51 in. (597.1 mm)	100
23.60 in. (599.5 mm)	110
23.69 in. (601.8 mm)	120
23.79 in. (604.2 mm)	130
23.88 in. (606.5 mm)	140
23.97 in. (608.9 mm)	150

*NOTE: For additional information on measuring track pitch, refer to UNDERCARRIAGE APPRAISAL MANUAL SP-326.*

*NOTE: It is recommended to use the above procedure for more accurate measurements when replacing the track components. A track wear gauge (JD266) is available, enabling the service technician to quickly check the condition of a track assembly.*

**<https://www.ebooklibonline.com>**

Hello dear friend!

Thank you very much for reading.

Enter the link into your browser.

The full manual is available for immediate download.

**<https://www.ebooklibonline.com>**