



Service Repair Manual

Models

D11N TRACK-TYPE TRACTOR

Previous Screen

Product: TRACK-TYPE TRACTOR

Model: D11N TRACK-TYPE TRACTOR 4HK

Configuration: D11N Track-Type Tractor Power Shift 4HK00001-UP (MACHINE) POWERED BY 3508 Engine

Disassembly and Assembly

3500 and 3500B High Displacement Engines for Caterpillar Built Machines

Media Number -SEN1126-33

Publication Date -01/07/2015

Date Updated -14/09/2018

i02415328

Electronic Unit Injector - Remove

SMCS - 1290-011

Removal Procedure

Table 1

Required Tools			
Tool	Part Number	Part Description	Qty
A	5F-4764	Pry Bar	1

Start By:

- a. Remove the rocker shaft assembly and the pushrods. Refer to Disassembly and Assembly, "Rocker Shaft Assembly and Push Rods - Remove".

NOTICE

Keep all parts clean from contaminants.

Contaminants may cause rapid wear and shortened component life.

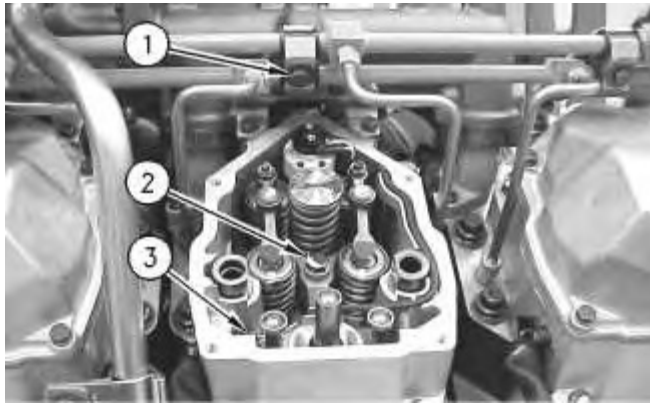


Illustration 1

g00903832

1. Remove bolt (1) and the clamp.
2. Remove bolt (2) and the clamp.
3. Disconnect harness assembly (3).

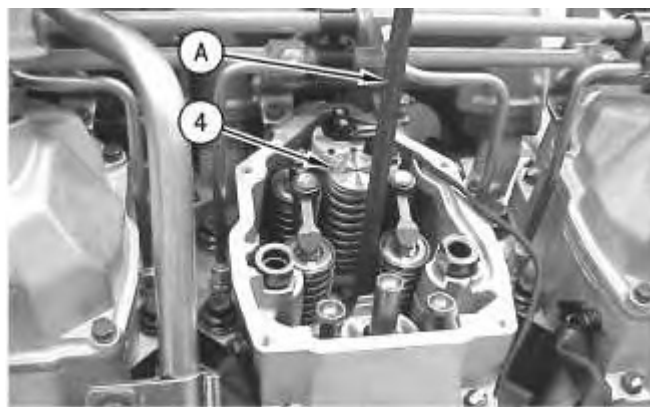


Illustration 2

g00903932

4. Use Tooling (A) to remove electronic unit injector (4).
5. Remove fuel / fluids from the cylinder. **WARNING!** Turning over (cranking) an engine with an injector removed could result in personal injury or death from fluids escaping at high velocity.

<https://www.ebooklibonline.com>

Hello dear friend!

Thank you very much for reading.

Enter the link into your browser.

The full manual is available for immediate download.

<https://www.ebooklibonline.com>

[Previous Screen](#)

Product: TRACK-TYPE TRACTOR

Model: D11N TRACK-TYPE TRACTOR 4HK

Configuration: D11N Track-Type Tractor Power Shift 4HK00001-UP (MACHINE) POWERED BY 3508 Engine

Disassembly and Assembly

3500 and 3500B High Displacement Engines for Caterpillar Built Machines

Media Number -SEN1126-33

Publication Date -01/07/2015

Date Updated -14/09/2018

i02415334

Electronic Unit Injector - Install

SMCS - 1290-012

Installation Procedure

Table 1

Required Tools			
Tool	Part Number	Part Description	Qty
B	9U-6862	Tapered Brush	1
C	4C-5027	Tap Wrench	1
D	4C-6774	Vacuum Gun Kit	1
E	1P-0808	Multipurpose Grease	1
F	1U-5512 or 8T-7765	Abrasive Material or Surface Reconditioning Pad	1

NOTICE

Keep all parts clean from contaminants.

Contaminants may cause rapid wear and shortened component life.

NOTICE

Remove all carbon deposits from the angled surface at the bottom of the cylinder head bore for the fuel injection pump. Failure to clean this area may prevent the fuel injection pump from seating properly. This could result in failure of the fuel injection pump due to leakage of exhaust gas into the fuel passage.

1. It is important to clean the cylinder head bore for the electronic unit injector before you install the electronic unit injector. Use the following procedure to clean the bore.

Note: A fine grade of Scotch Brite material is recommended for cleaning the cylinder head bore for the electronic unit injector. The product is available as Tooling (F).

- a. Place a 38 mm (1.5 inch) square piece of Scotch Brite material on the end of Tooling (B).

Note: It should not be necessary to use a power tool to clean the cylinder head bore for the electronic unit injector.

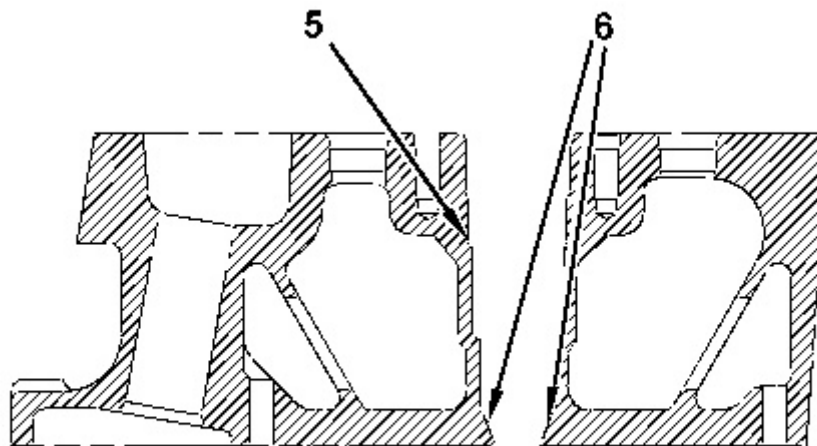


Illustration 1

g01051051

- b. Hold the brush with Tooling (C). Insert the brush into bore (5). Rotate the Scotch Brite material against the lower surface of bore (6). Continue cleaning until the surface is smooth and shiny.

Note: Tooling (D) is recommended for cleaning loose particles from the bore. The vacuum is operated with pressurized air.

- c. Remove all loose particles from the bore.

2. Remove any fuel / fluid that may have accumulated before installing the injector.
-

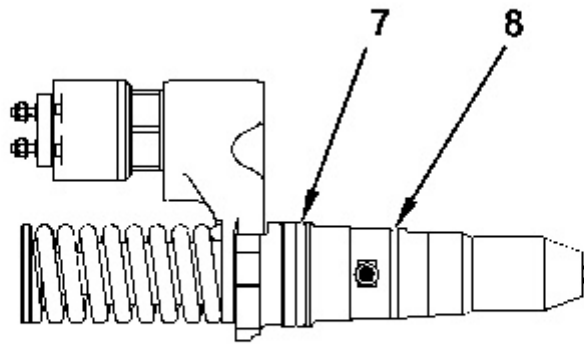


Illustration 2

g01051052

3. Inspect O-ring seals (7) and (8) for good condition. Obtain new O-ring seals, if necessary. Coat the O-ring seals and coat the cylinder head bore for the electronic unit injector with Tooling (E).
4. Press the electronic unit injector into the bore of the cylinder head. Do not strike the electronic unit injector. Center the solenoid between the valve springs.

Note: Adjust the height of the electronic unit injector according to the Service Manual, "Specifications".

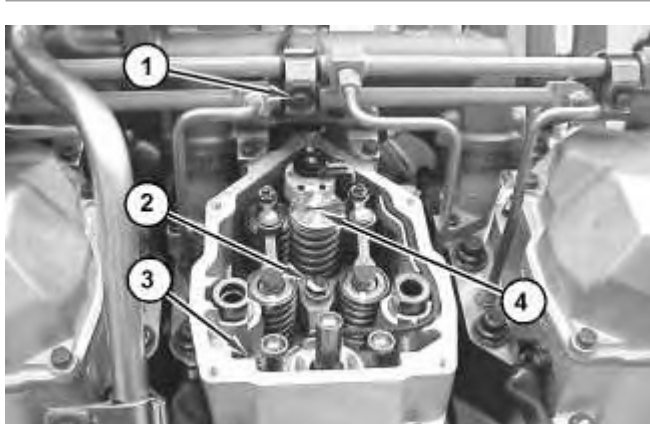


Illustration 3

g01052571

5. To seat electronic unit injector (4) into the bore, install the clamp with bolt (2) and the washer. Tighten the bolt to a torque of 65 ± 7 N·m (48 ± 5 lb ft).
6. Connect harness assembly (3) to the connector. Tighten the terminal nuts to a torque of 1.70 ± 0.25 N·m (15 ± 2 lb in).
7. Press the harness assembly into the groove in the valve cover base.

8. Install bolt (1) and the clamp.

End By:

- a. Install the rocker shaft assembly and the pushrods. Refer to Disassembly and Assembly, "Rocker Shaft and Push Rods - Install".

[Copyright 1993 - 2020 Caterpillar Inc.](#)

Sat Feb 22 09:51:57 UTC+0800 2020

[All Rights Reserved.](#)

[Private Network For SIS Licensees.](#)

Previous Screen

Product: TRACK-TYPE TRACTOR

Model: D11N TRACK-TYPE TRACTOR 4HK

Configuration: D11N Track-Type Tractor Power Shift 4HK00001-UP (MACHINE) POWERED BY 3508 Engine

Disassembly and Assembly

3500 and 3500B High Displacement Engines for Caterpillar Built Machines

Media Number -SEN1126-33

Publication Date -01/07/2015

Date Updated -14/09/2018

i02414981

Cylinder Head - Remove

SMCS - 1100-011

Removal Procedure

Table 1

Required Tools			
Tool	Part Number	Part Description	Qty
A	138-7573	Link Bracket	2

Start By:

- a. Remove the valve cover base. Refer to Disassembly and Assembly, "Valve Cover Base - Remove and Install".

NOTICE

Keep all parts clean from contaminants.

Contaminants may cause rapid wear and shortened component life.

NOTICE

Do not allow dirt to enter the fuel system. Thoroughly clean the area around a fuel system component that will be disconnected. Fit a suitable cover over disconnected fuel system component.

NOTICE

Care must be taken to ensure that fluids are contained during performance of inspection, maintenance, testing, adjusting, and repair of the product. Be prepared to collect the fluid with suitable containers before opening any compartment or disassembling any component containing fluids.

Refer to Special Publication, NENG2500, "Dealer Service Tool Catalog" for tools and supplies suitable to collect and contain fluids on Cat products.

Dispose of all fluids according to local regulations and mandates.

1. Drain the coolant from the cooling system. Refer to Operation and Maintenance Manual, "Cooling System Coolant - Change".

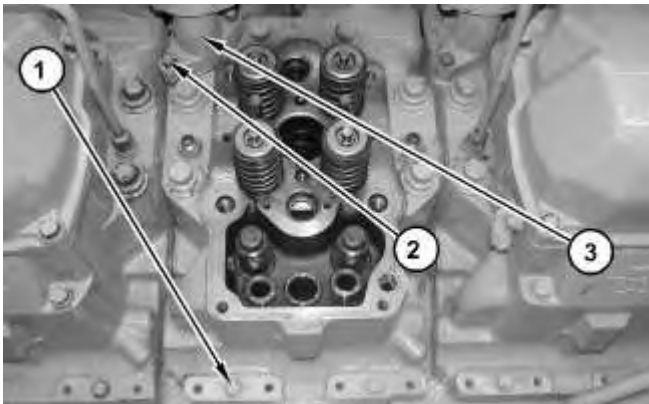


Illustration 1

g01053854

2. Remove bolts (1) and (2). Remove tube (3).

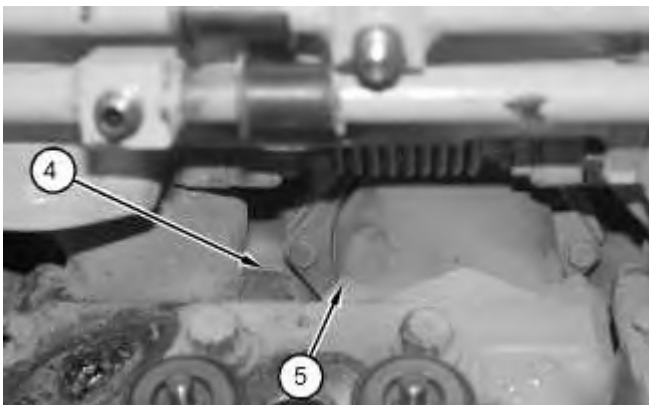


Illustration 2

g01053859

3. Remove four bolts (4) (not shown) from exhaust tube assembly and remove four bolts (5) (not shown) from inlet tube assembly.
-

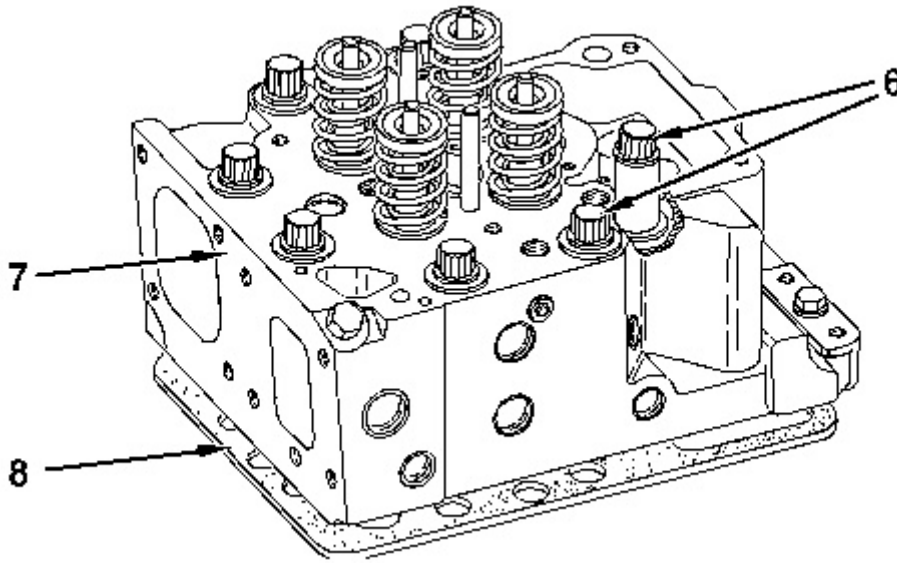


Illustration 3

g01053860

4. Remove bolts (6). Use a suitable lifting device and Tooling (A) in order to remove cylinder head assembly (7). The weight of cylinder head assembly (7) is approximately 47 kg (104 lb). Remove gasket (8).
-

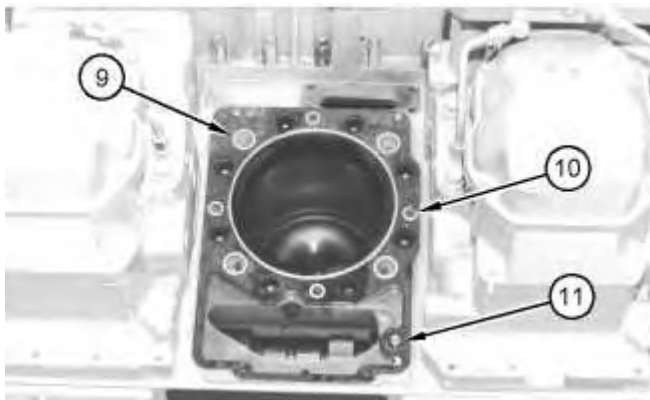


Illustration 4

g01053975

5. Remove seals (9) and (10), and O-ring seal (11) from the spacer plate.
-

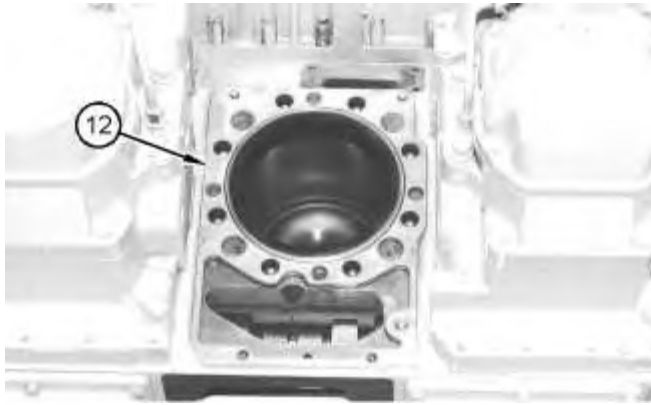


Illustration 5

g01053977

6. Remove spacer plate (12) from the dowels in the cylinder block.



Illustration 6

g01053978

7. Remove gasket (13) from the dowels.

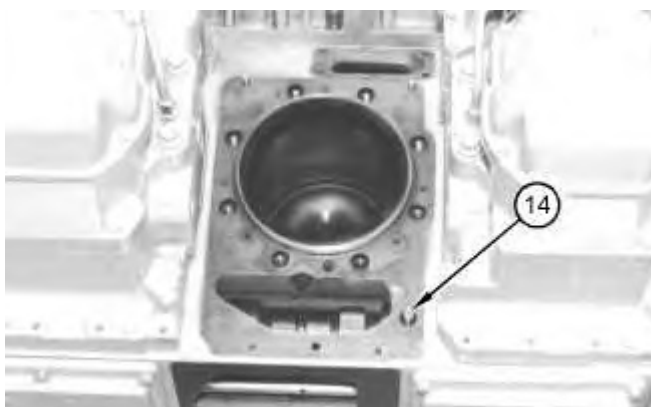


Illustration 7

g01053983

8. Remove the O-ring seal from dowel (14).

Previous Screen

Product: TRACK-TYPE TRACTOR

Model: D11N TRACK-TYPE TRACTOR 4HK

Configuration: D11N Track-Type Tractor Power Shift 4HK00001-UP (MACHINE) POWERED BY 3508 Engine

Disassembly and Assembly

3500 and 3500B High Displacement Engines for Caterpillar Built Machines

Media Number -SEN1126-33

Publication Date -01/07/2015

Date Updated -14/09/2018

i02048542

Cylinder Head - Disassemble

SMCS - 1100-015

Disassembly Procedure

Start By:

- a. Remove the cylinder head. Refer to Disassembly and Assembly, "Cylinder Head - Remove".

Inlet and Exhaust Valves

Table 1

Required Tools			
Tool	Part Number	Part Description	Qty
A	5S-1330	Valve Spring Compressor	1
B	8S-2263	Spring Tester	1

NOTICE

Keep all parts clean from contaminants.

Contaminants may cause rapid wear and shortened component life.

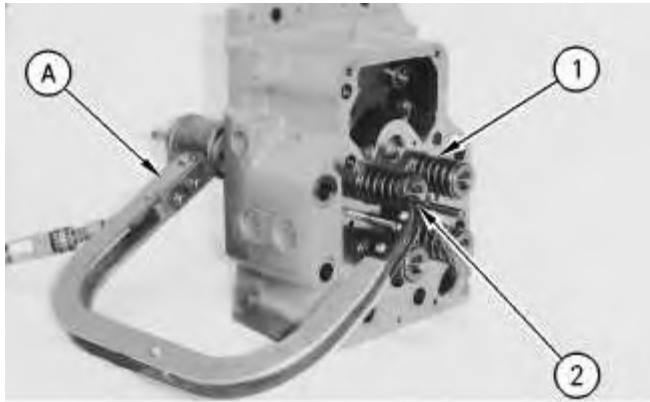


Illustration 1

g00905560

WARNING

Personal injury can result from being struck by parts propelled by a released spring force.

Make sure to wear all necessary protective equipment.

Follow the recommended procedure and use all recommended tooling to release the spring force.

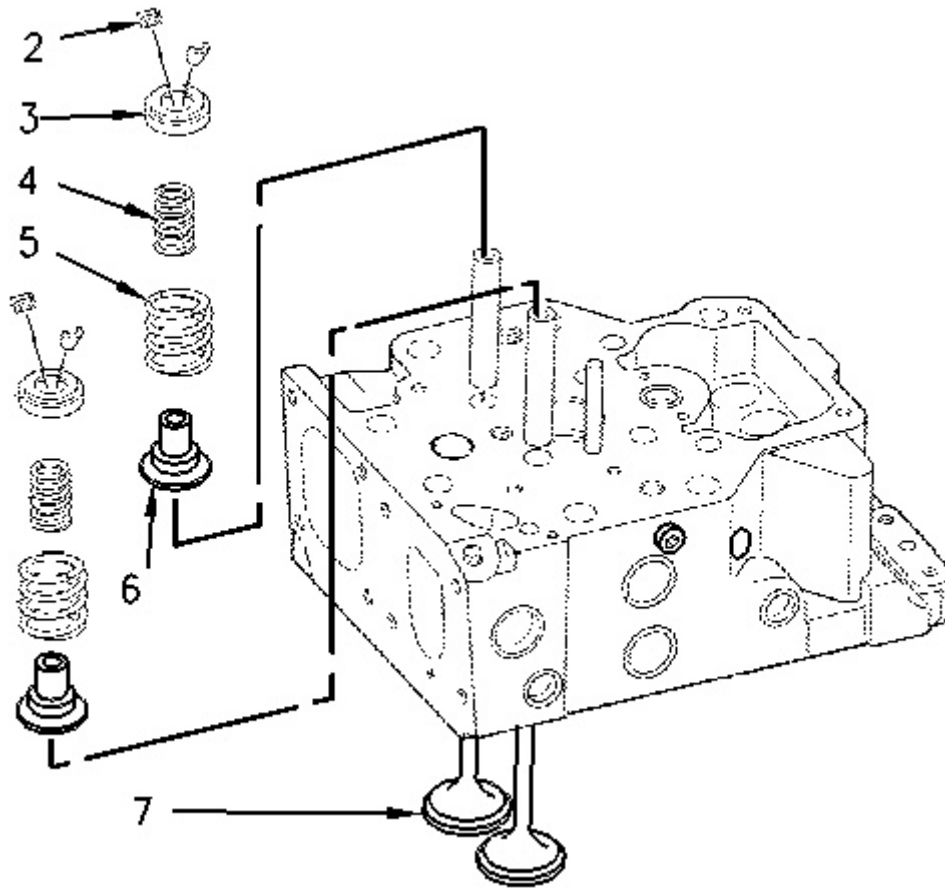


Illustration 2

g00618922

1. Use Tooling (A) to compress valve spring (1).
2. Remove retainer lock (2).
3. Release the tension on Tooling (A). Remove Tooling (A).
4. Remove valve rotator (3), outer spring (5), inner spring (4), and seal (6).

Note: If the valves will be reused, mark the valves for identification upon assembly.

5. Remove valve (7) from the cylinder head.
6. Use Tooling (B) to measure the force of the valve springs. Refer to Specifications for the correct spring force.
7. Repeat Steps 1 through 6 for the remaining valves.

Bridge Dowels

Table 2

Required Tools			
Tool	Part Number	Part Description	Qty
C	5P-0944	Dowel Puller Group	1

NOTICE

Keep all parts clean from contaminants.

Contaminants may cause rapid wear and shortened component life.

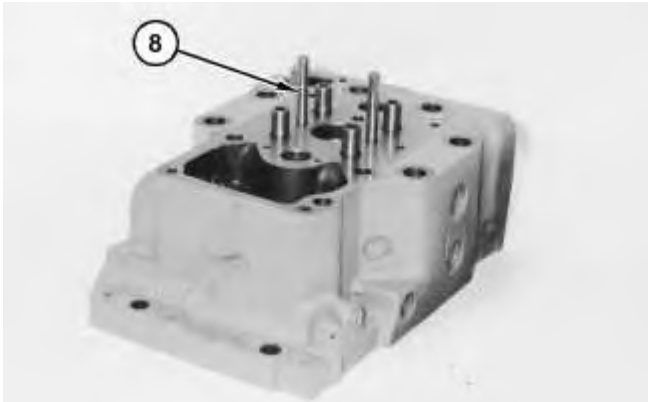


Illustration 3

g01051069

1. If the bridge dowels will be replaced, use Tooling (C) to remove bridge dowel (8) from the cylinder head.

Inlet and Exhaust Valve Seat Inserts

Table 3

Required Tools			
Tool	Part Number	Part Description	Qty
D	166-7441	Valve Seat Extractor Tool	1

NOTICE

Keep all parts clean from contaminants.

Contaminants may cause rapid wear and shortened component life.

1. Use Tooling (D) to remove the valve seat inserts from the cylinder head.
2. Thoroughly clean valve seat bores in the cylinder head.

Inlet and Exhaust Valve Guides

Table 4

Required Tools			
Tool	Part Number	Part Description	Qty
E	7M-3975	Valve Guide Driver	1
	5P-1729	Valve Guide Bushing	1

NOTICE

Keep all parts clean from contaminants.

Contaminants may cause rapid wear and shortened component life.

1. Use Tooling (E) and a hammer to remove the valve guides from the cylinder head.

Valve Lifters

NOTICE

Keep all parts clean from contaminants.

Contaminants may cause rapid wear and shortened component life.

Note: The valve lifters may also be removed with the cylinder head on the engine. Remove the camshaft and use the following steps in order to remove the valve lifters with the cylinder head on the engine.

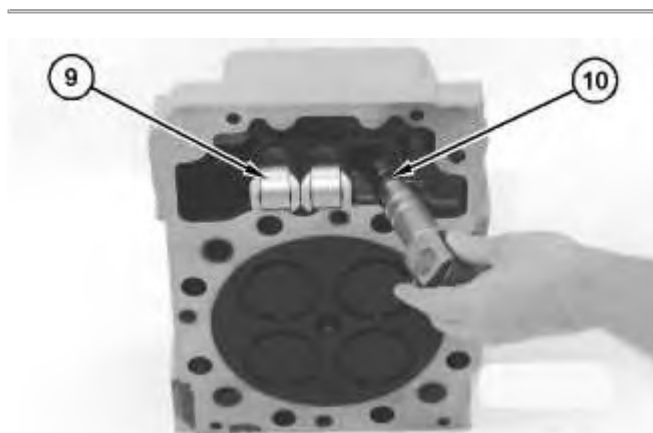


Illustration 4

g01051072

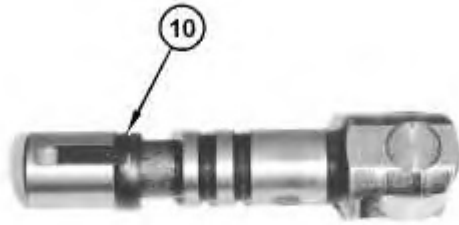


Illustration 5

g01051073

 **WARNING**

Personal injury can result from being struck by parts propelled by a released spring force.

Make sure to wear all necessary protective equipment.

Follow the recommended procedure and use all recommended tooling to release the spring force.

-
1. Pull valve lifter (9) out of the cylinder head.
 2. Remove guide spring (10) from the valve lifter.

[Previous Screen](#)

Product: TRACK-TYPE TRACTOR

Model: D11N TRACK-TYPE TRACTOR 4HK

Configuration: D11N Track-Type Tractor Power Shift 4HK00001-UP (MACHINE) POWERED BY 3508 Engine

Disassembly and Assembly

3500 and 3500B High Displacement Engines for Caterpillar Built Machines

Media Number -SEN1126-33

Publication Date -01/07/2015

Date Updated -14/09/2018

i06795257

Cylinder Head - Assemble

SMCS - 1100-016

Assembly Procedure

Valve Lifters

NOTICE

Keep all parts clean from contaminants.

Contaminants may cause rapid wear and shortened component life.



Illustration 1g01051073

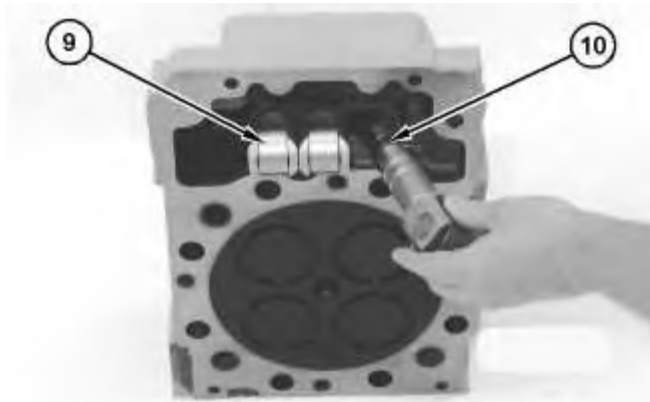


Illustration 2

g01051072

! WARNING

Improper assembly of parts that are spring loaded can cause bodily injury.

To prevent possible injury, follow the established assembly procedure and wear protective equipment.

Note: Install the lifter assembly into the cylinder head. Ensure that the word "LEFT" stamped on end of the bronze pin is always oriented to the LEFT as viewed from the side of the engine regardless of left side or right side bank. Immerse the lifter assembly in engine oil before assembled in the cylinder head lifter bore.

1. Install new guide spring (10) for valve lifter (9).
2. Place valve lifter (9) in a container of clean engine oil prior to installation.
3. Install valve lifter (9) into the cylinder head.

Note: Refer to Specifications, "Valve Mechanism".

Inlet and Exhaust Valve Guides

Table 1

Required Tools			
Tool	Part Number	Part Description	Qty
E	7M-3975	Valve Guide Driver	1
	5P-1729	Valve Guide Bushing	1

NOTICE

Keep all parts clean from contaminants.

Contaminants may cause rapid wear and shortened component life.

Note: Use new valve guides for assembly.

1. Coat the outside of the valve guides with clean engine oil prior to installation.
2. Use Tooling (E) and a suitable press to install the valve guides. The valve guide must extend 26.0 ± 0.50 mm (1.02 ± 0.020 inch) above the surface of the cylinder head.

Inlet and Exhaust Valve Seat Inserts

Table 2

Required Tools			
Tool	Part Number	Part Description	Qty
F	1P-0510	Driver Gp	1

NOTICE

Keep all parts clean from contaminants.

Contaminants may cause rapid wear and shortened component life.

Note: Use new inserts for assembly.

1. Lower the temperature of the valve seat inserts. Install the valve seat inserts with Tooling (F).

Bridge Dowels

Table 3

Required Tools			
Tool	Part Number	Part Description	Qty
G	6V-4009	Dowel Driver	1

NOTICE

Keep all parts clean from contaminants.

Contaminants may cause rapid wear and shortened component life.

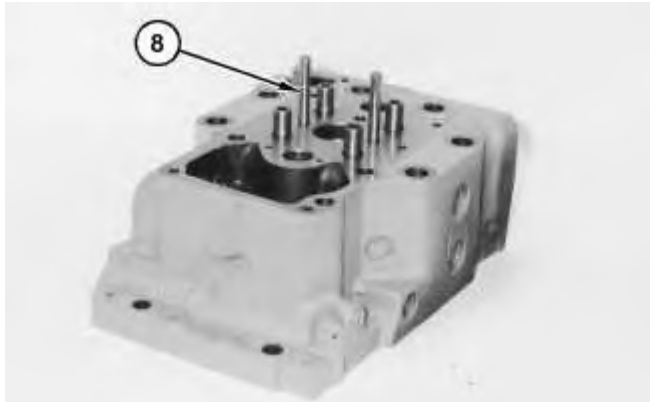


Illustration 3

g01051069

Note: Use new dowels for assembly. Refer to Service Magazine, SEPD1825, "New Cylinder Head Groups and Valve Mechanisms" for the correct procedure.

1. Use Tooling (G) with a hammer to install bridge dowels (8). The bridge dowels must extend 66.5 ± 0.50 mm (2.62 ± 0.020 inch) above the surface of the cylinder head.

Inlet and Exhaust Valves

Table 4

Required Tools			
Tool	Part Number	Part Description	Qty
A	5S-1330	Valve Spring Compressor	1

NOTICE

Keep all parts clean from contaminants.

Contaminants may cause rapid wear and shortened component life.

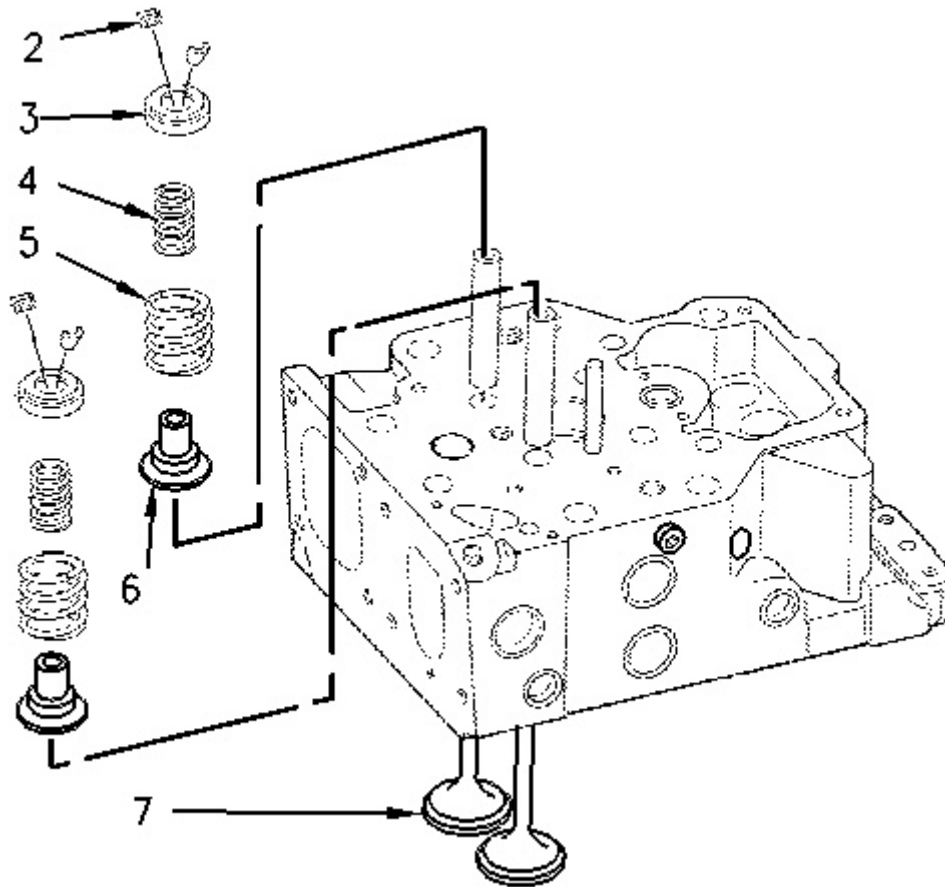


Illustration 4

g00618922

! WARNING

If the valve locks are not positioned correctly, the locks can be expelled when the spring pressure is released.

To help prevent personal injury, stay away from the front of the valve retainer and springs. Ensure that the valve locks are positioned correctly.

Note: Do not reuse valve rotocoils.

1. Coat valves (7) with clean engine oil. Install the valves into the cylinder head.
2. Install seal (6), inner spring (4), outer spring (5), and valve rotocoil (3) over the valve stem and the valve guide.
3. Compress the valve spring with Tooling (A) and install retainer lock (2).
4. Release the pressure on Tooling (A). Remove Tooling (A). Lightly tap the top of the valve with a hammer to ensure that the retainer locks are in the proper position.

5. Repeat Steps 1 through 4 for the remaining valves.

End By:

a. Install the cylinder head.

[Copyright 1993 - 2020 Caterpillar Inc.](#)

Sat Feb 22 09:54:54 UTC+0800 2020

[All Rights Reserved.](#)

[Private Network For SIS Licensees.](#)

[Previous Screen](#)

Product: TRACK-TYPE TRACTOR

Model: D11N TRACK-TYPE TRACTOR 4HK

Configuration: D11N Track-Type Tractor Power Shift 4HK00001-UP (MACHINE) POWERED BY 3508 Engine

Disassembly and Assembly

3500 and 3500B High Displacement Engines for Caterpillar Built Machines

Media Number -SEN1126-33

Publication Date -01/07/2015

Date Updated -14/09/2018

i07511232

Cylinder Head - Install

SMCS - 1100-012

Installation Procedure

Table 1

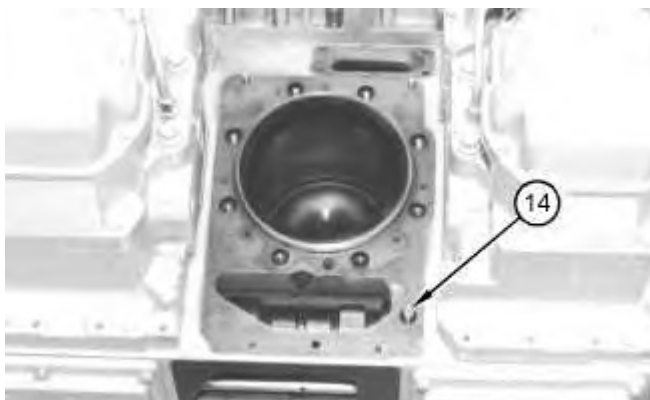
Required Tools			
Tool	Part Number	Part Description	Qty
A	439-3938	Link Bracket	2

NOTICE

Keep all parts clean from contaminants.

Contaminants may cause rapid wear and shortened component life.

1. Ensure that the spacer plate and the surface of the cylinder block are clean.





Suggest:

If the above button click is invalid.

Please download this document first, and then click the above link to download the complete manual.

Thank you so much for reading

Illustration 1

g01053983

2. Install the O-ring seal on dowel (14).



Illustration 2

g01053978

NOTICE

Ensure that the surface of the spacer plate gasket and the surface of the cylinder block are clean. Do not use a gasket adhesive on these surfaces.

3. Install a new gasket (13) on the dowels in the cylinder block.

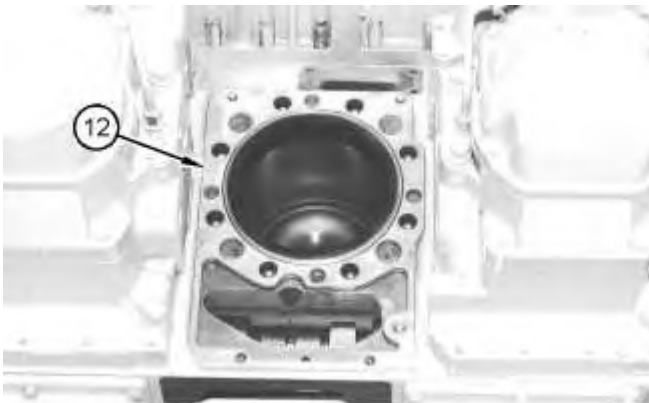


Illustration 3

g01053977

4. Install spacer plate (12) on the dowels.
 5. Check the cylinder liner projection. Refer to Testing and Adjusting, "Cylinder Liner Projection" for the correct procedure.
-

<https://www.ebooklibonline.com>

Hello dear friend!

Thank you very much for reading.

Enter the link into your browser.

The full manual is available for immediate download.

<https://www.ebooklibonline.com>