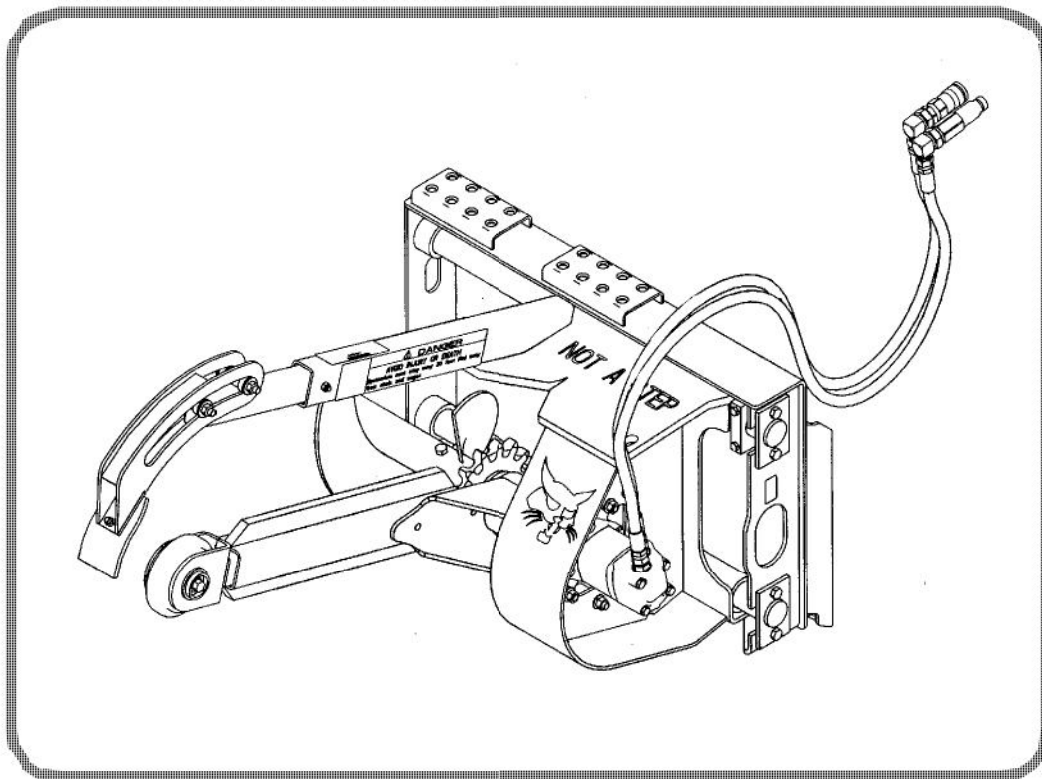




Bobcat®

Service Manual Trencher

(LT112) S/N 045200101 & Above
(MX112) S/N 045100101 & Above
(LT113) S/N 233800101 & Above
(LT213) S/N 045300101 & Above
(LT313) S/N 045400101 & Above
(LT414) S/N A0RS00101 & Above



Dealer Copy -- Not for Resale



MAINTENANCE SAFETY



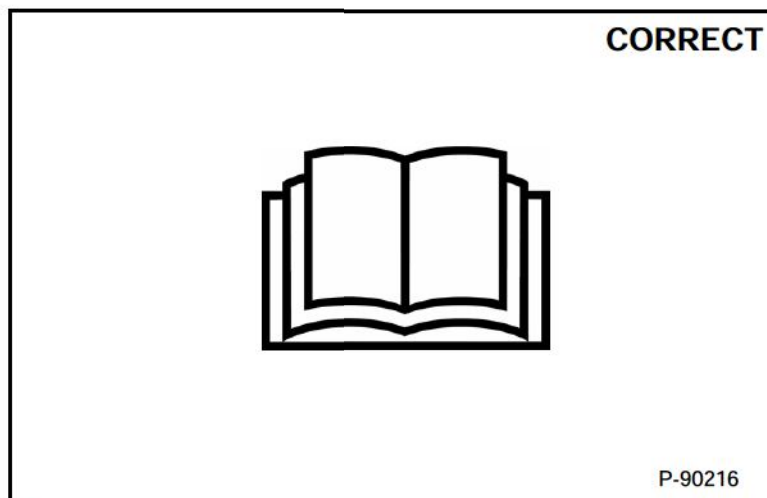
WARNING









Instructions are necessary before operating or servicing machine. Read and understand the Operation & Maintenance Manual, Operator's Handbook and signs (decals) on machine. Follow warnings and instructions in the manuals when making repairs, adjustments or servicing. Check for correct function after adjustments, repairs or service. Untrained operators and failure to follow instructions can cause injury or death.

W-2003-0807



Safety Alert Symbol: This symbol with a warning statement, means: "Warning, be alert! Your safety is involved!" Carefully read the message that follows.



-  Never service attachments / implements without instructions. See Operation & Maintenance Manual and Attachment / Implement Service Manual.
-  Cleaning and maintenance are required daily.
-  Never service or adjust attachment / implement with the engine running unless instructed to do so in manual.
-  Always lower the attachment / implement to the ground before lubricating or servicing.
-  Avoid contact with leaking hydraulic fluid or diesel fuel under pressure. It can penetrate skin or eyes.
-  Stop, cool and clean engine of flammable materials before checking fluids.
-  Keep body, loose objects and clothing away from moving parts, electrical contacts, hot parts and exhaust.
-  Safety glasses are needed for eye protection from electrical arcs, battery acid, compressed springs, fluids under pressure and flying debris or when tools are used. Use eye protection approved for type of welding.

Dealer Copy -- Not for Resale

MSW30-0409

CONTENTS

SAFETY AND MAINTENANCE	10-01
HYDRAULIC SYSTEM	20-01
MAINFRAME	30-01
SPECIFICATIONS	SPEC-01
ALPHABETICAL INDEX	INDEX-01

FOREWORD

SERIAL NUMBER LOCATION	1-7
Attachment Serial Number	1-7
DELIVERY REPORT	1-8
ATTACHMENT IDENTIFICATION	1-9
LT112 And LT113 Trencher	1-9
MX112 Trencher	1-10
LT213 And LT313 Trencher	1-11
LT414 Trencher	1-12

<https://www.ebooklibonline.com>

Hello dear friend!

Thank you very much for reading.

Enter the link into your browser.

The full manual is available for immediate download.

<https://www.ebooklibonline.com>

SERIAL NUMBER LOCATION

Attachment Serial Number

Figure 1

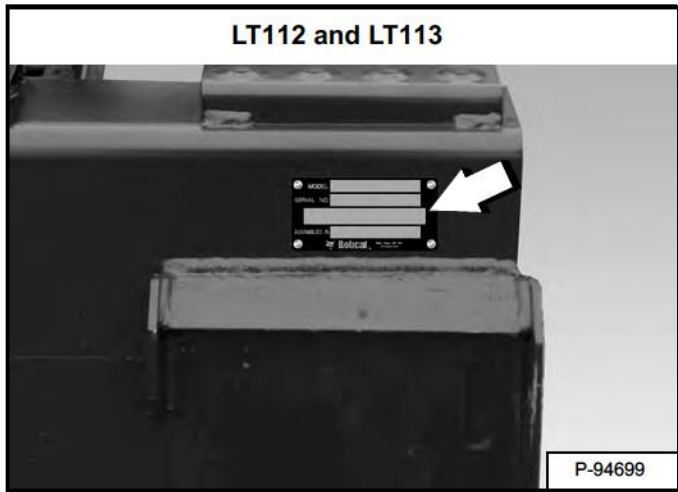


Figure 2

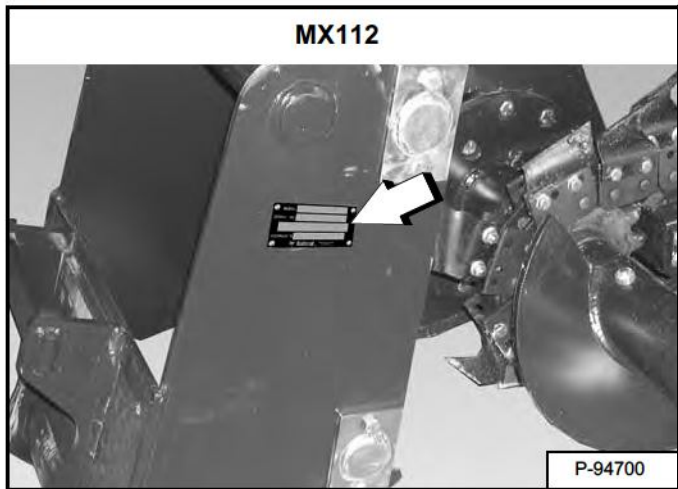


Figure 3



Figure 4



Always use the serial number of the trencher when requesting service information or when ordering parts. Early or later models (identification made by serial number) may use different parts, or it may be necessary to use a different procedure in doing a specific service operation [Figure 1], [Figure 2], [Figure 3] or [Figure 4].

Dealer Copy -- Not for Resale

DELIVERY REPORT

Figure 5

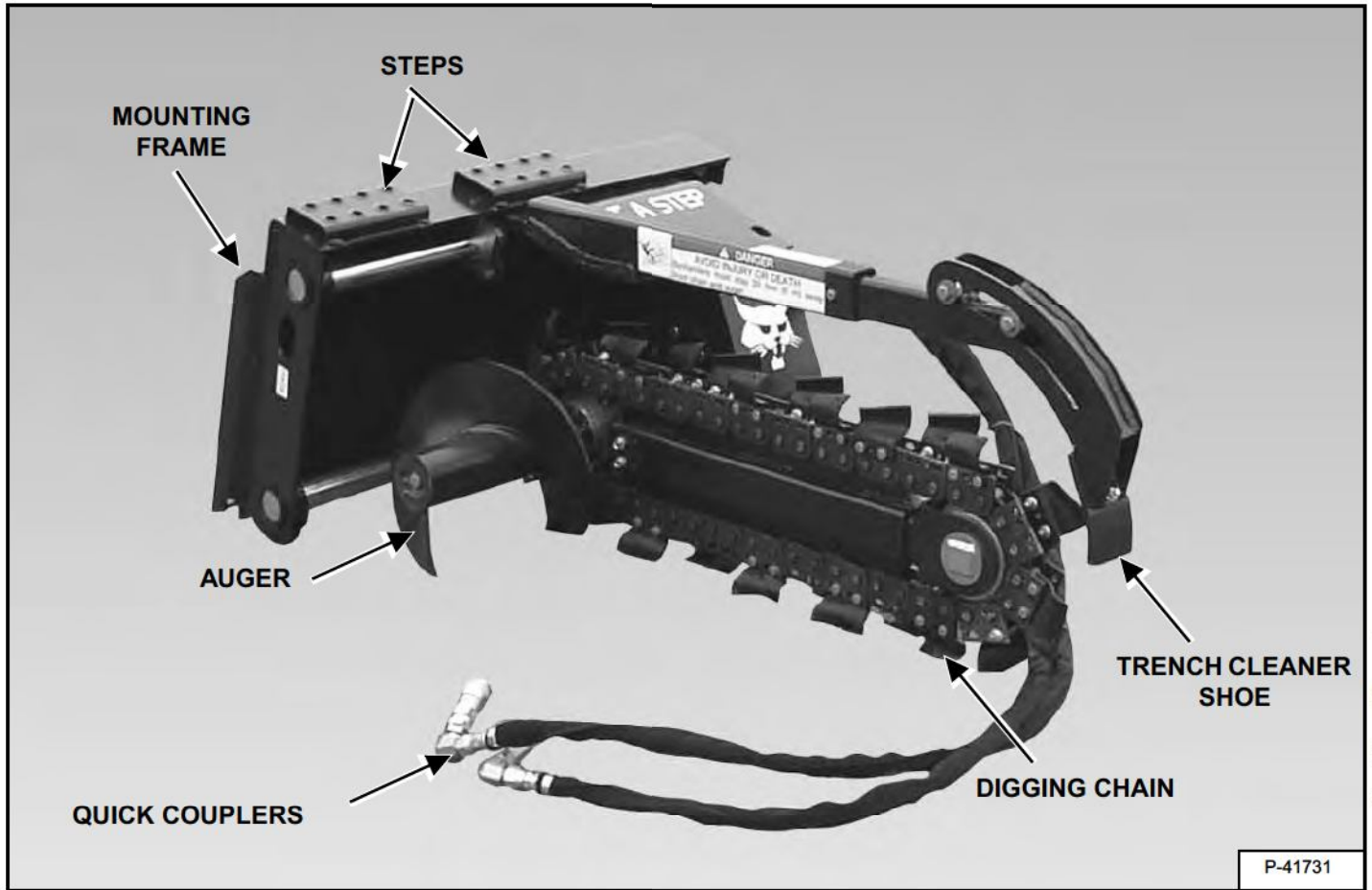
The image shows a Bobcat Delivery Report Attachment form. At the top left is the Bobcat logo. The title is "Delivery Report Attachment" with a "Serial Number" field. Below the title is a "SALES SPECIALIST NAME" field. The form is divided into several sections: "OPERATOR'S NAME", "DEALER'S NAME", "ADDRESS", "PHONE", "FAX", "E-MAIL", "DATE OF DELIVERY", "DATE OF PURCHASE", "MODEL NUMBER", "SERIAL NUMBER", "QUANTITY", "UNIT PRICE", "TOTAL PRICE", "TAXES", "TOTAL DUE", "PAID AMOUNT", "BALANCE DUE", "FINANCING TERMS", "FINANCING COMPANY", "FINANCING RATE", "FINANCING TERM", "FINANCING PAYMENT", "FINANCING BALANCE", "FINANCING INTEREST", "FINANCING FEE", "FINANCING INSURANCE", "FINANCING MAINTENANCE", "FINANCING REPAIRS", "FINANCING REPLACEMENT PARTS", "FINANCING ACCESSORIES", "FINANCING OTHER CHARGES", "FINANCING TOTAL DUE", "FINANCING PAID AMOUNT", "FINANCING BALANCE DUE", "FINANCING INTEREST PAID", "FINANCING FEE PAID", "FINANCING INSURANCE PAID", "FINANCING MAINTENANCE PAID", "FINANCING REPAIRS PAID", "FINANCING REPLACEMENT PARTS PAID", "FINANCING ACCESSORIES PAID", "FINANCING OTHER CHARGES PAID", "FINANCING TOTAL PAID", "FINANCING TOTAL DUE", "FINANCING BALANCE DUE", "FINANCING INTEREST PAID", "FINANCING FEE PAID", "FINANCING INSURANCE PAID", "FINANCING MAINTENANCE PAID", "FINANCING REPAIRS PAID", "FINANCING REPLACEMENT PARTS PAID", "FINANCING ACCESSORIES PAID", "FINANCING OTHER CHARGES PAID".

A prominent "WARNING" section is located in the middle of the form, containing several numbered items (1-14) detailing safety and operational instructions. Below the warning is a "Dealer Representative Signature" line and a "Date" field. At the bottom right, there is a box containing the text "NA7494".

The delivery report [Figure 5] must be completed by the dealer and signed by the owner or operator when the Bobcat trencher is delivered. An explanation of the form must be given to the owner.

ATTACHMENT IDENTIFICATION

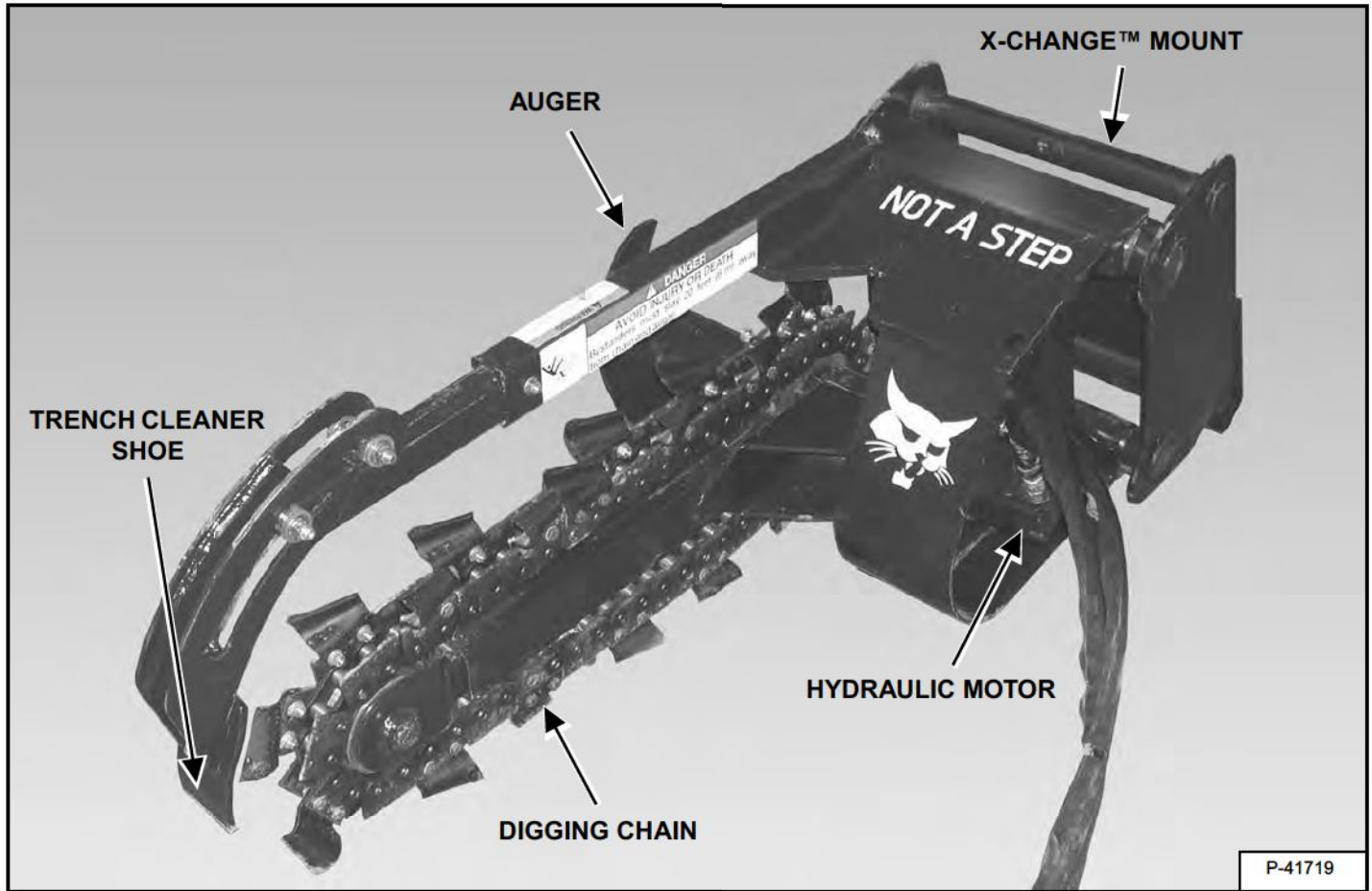
LT112 And LT113 Trencher



Dealer Copy -- Not for Resale

ATTACHMENT IDENTIFICATION (CONT'D)

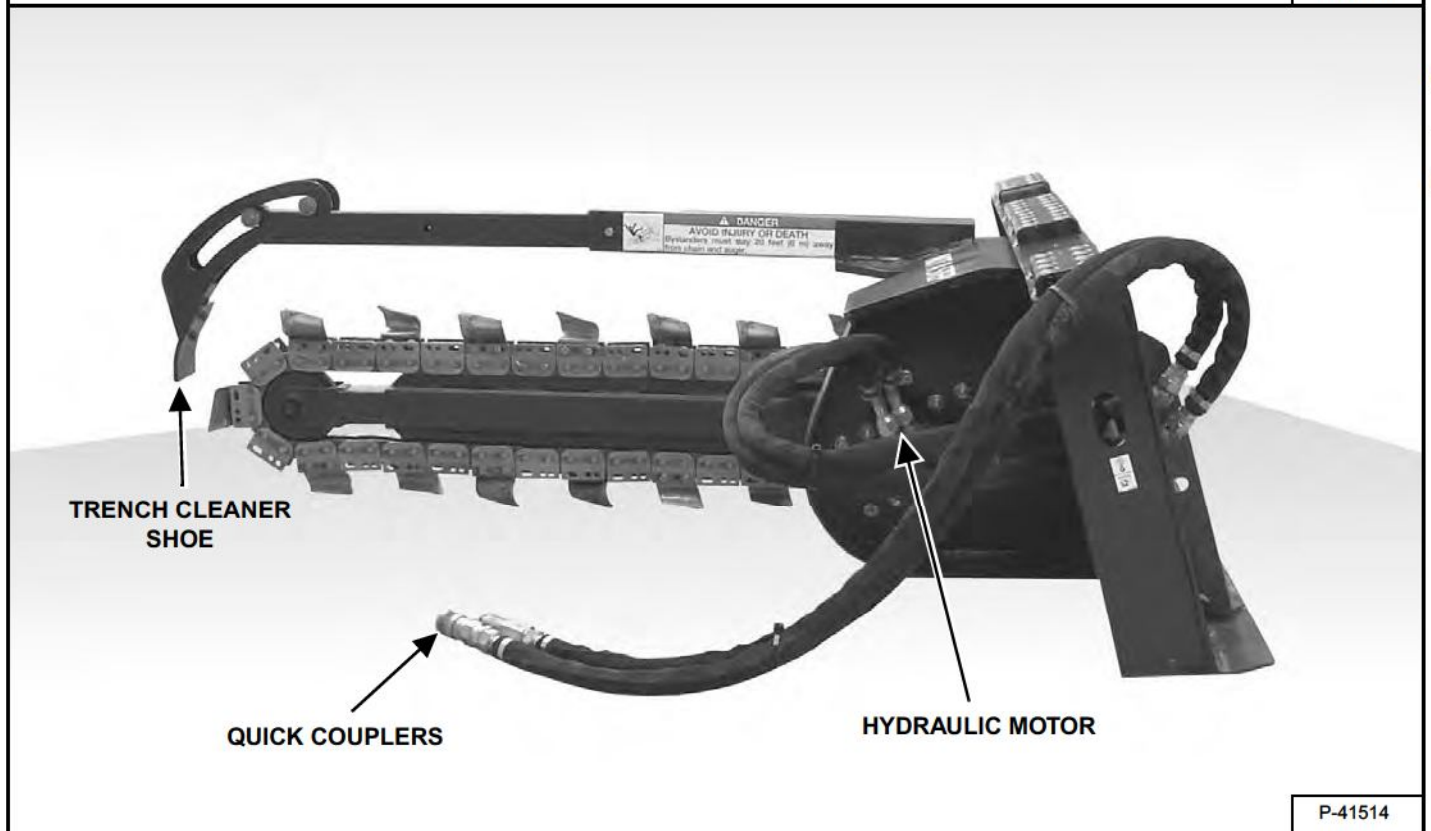
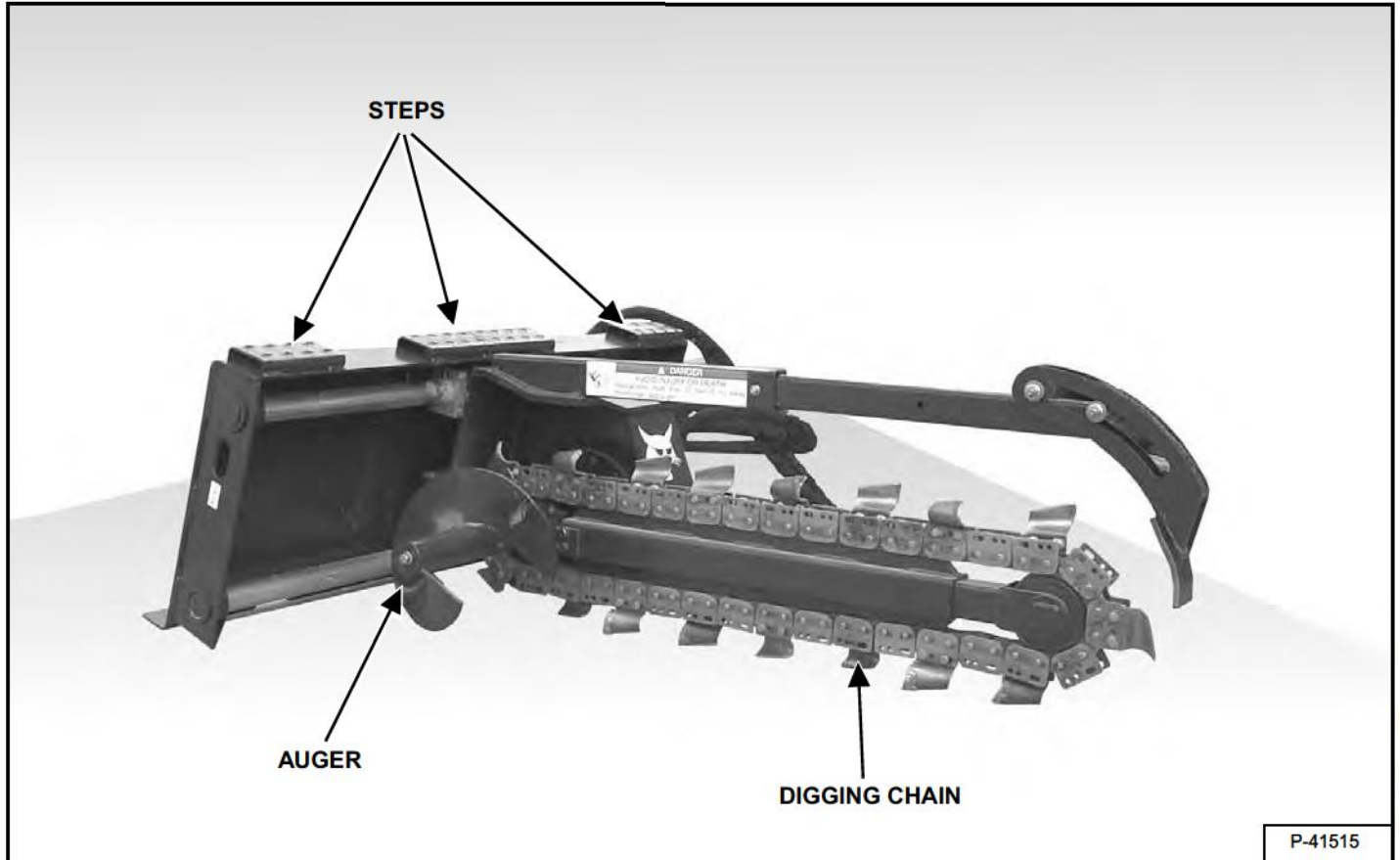
MX112 Trencher



Dealer Copy -- Not for Resale

ATTACHMENT IDENTIFICATION (CONT'D)

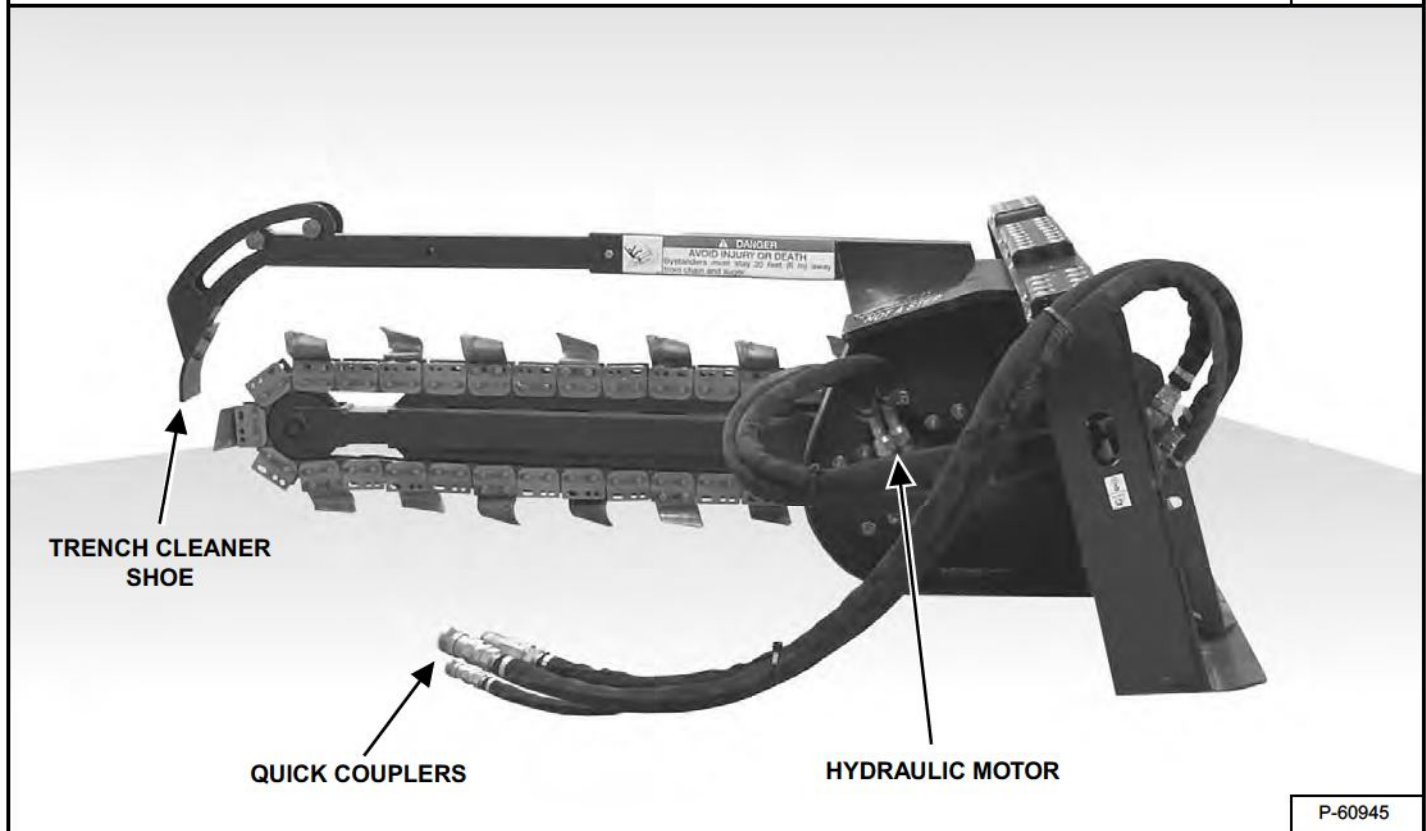
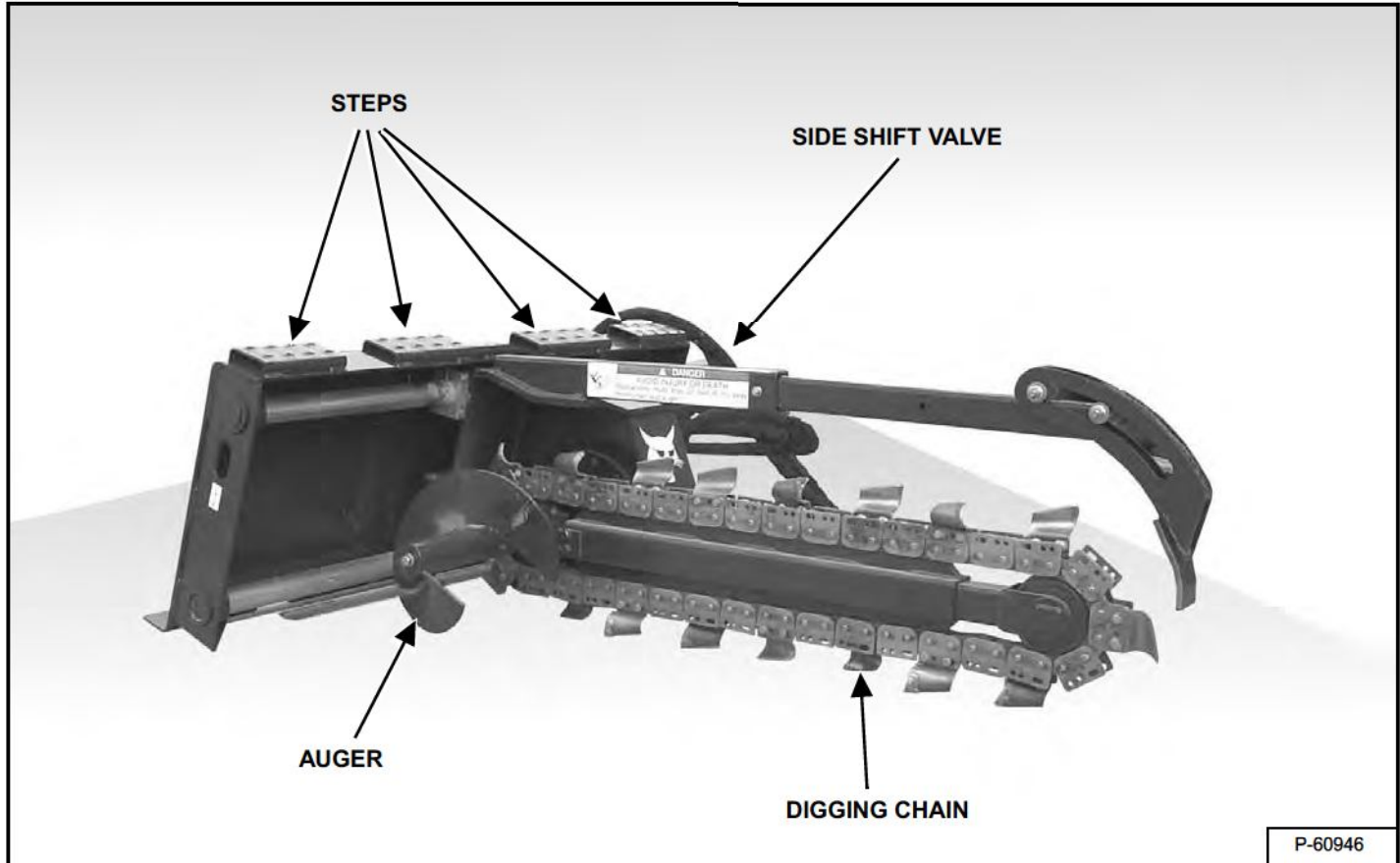
LT213 And LT313 Trencher



Dealer Copy -- Not for Resale

ATTACHMENT IDENTIFICATION (CONT'D)

LT414 Trencher



Dealer Copy -- Not for Resale


SAFETY AND MAINTENANCE

TROUBLESHOOTING	10-10-1
Chart	10-10-1
DAILY INSPECTION	10-20-1
Bob-Tach	10-20-1
Trencher Mount Inspection	10-20-3
X-Change Mount Inspection	10-20-3
Chain Guide Inspection	10-20-3
LUBRICATION	10-20-3
Daily Lubrication	10-20-3
TRENCH CLEANER	10-30-1
Removal And Installation	10-30-1

Dealer Copy -- Not for Resale

TROUBLESHOOTING

Chart

 <b style="font-size: 24pt; margin-left: 10px;">WARNING	<p>Instructions are necessary before operating or servicing machine. Read and understand the Operation & Maintenance Manual, Operator's Handbook and signs (decals) on machine. Follow warnings and instructions in the manuals when making repairs, adjustments or servicing. Check for correct function after adjustments, repairs or service. Untrained operators and failure to follow instructions can cause injury or death.</p> <p style="text-align: right; font-size: 10pt;">W-2003-0807</p>
--	---

If the attachment is not working correctly, check the hydraulic system of the machine thoroughly before making any repairs on the attachment. Attachment problems can be affected by a hydraulic system that is not operating to specifications. Connect a flow meter to the machine to check the hydraulic pump output, relief valve setting and tube lines to check flow and pressure. (See the machine's Service Manual for the correct procedure to connect the flow meter.)

Use the following troubleshooting chart to locate and correct problems which most often occur with the attachment.

PROBLEM	CAUSE	CORRECTION
Trencher does not mount properly on the Bob-Tach™.	Bob-Tach wedges are not fully retracted before installing.	Retract Bob-Tach wedges before installing.
	Mud, dirt or stones are lodged between the Bob-Tach and the trencher mount.	Remove debris between Bob-Tach and trencher mount.
Trencher does not operate.	No hydraulic flow.	Activate machine front auxiliary hydraulics.
		Check quick couplers connection. Check for damaged hose ends and fittings.
Digging chain does not stay adjusted to the correct tension.	Damaged grease cylinder.	Repair or replace grease cylinder.

Dealer Copy -- Not for Resale

DAILY INSPECTION

Bob-Tach

Hand Lever Bob-Tach

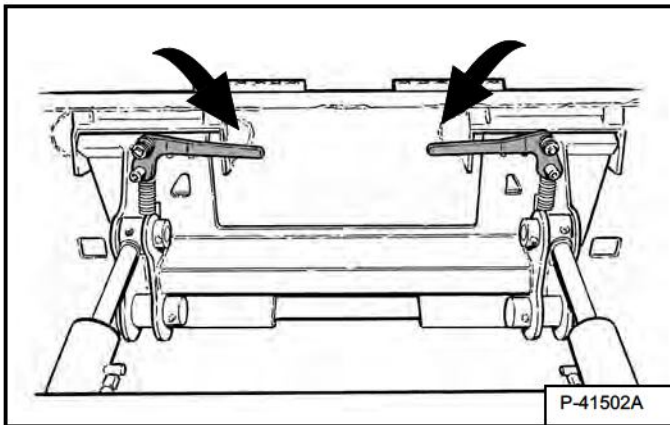
! WARNING

AVOID INJURY OR DEATH

The Bob-Tach wedges must extend through the holes in the attachment mounting frame. Levers must be fully down and locked. Failure to secure wedges can allow attachment to come off.

W-2715-0208

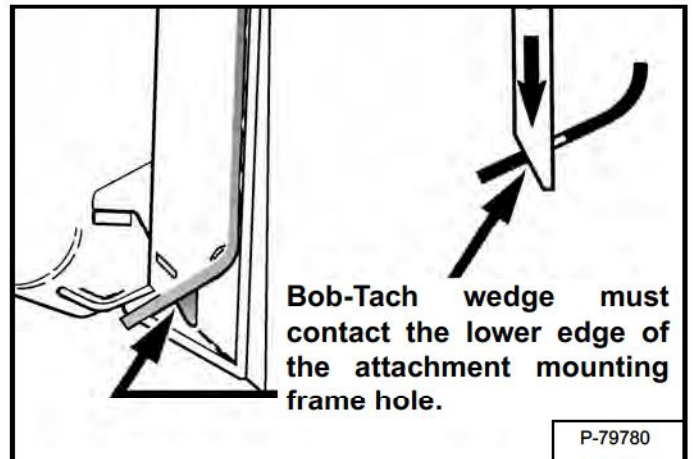
Figure 10-20-1



Push down on the Bob-Tach levers until they are fully engaged in the locked position [Figure 10-20-1] (wedges fully extended through the attachment mounting frame holes).

The levers and wedges must move freely [Figure 10-20-1].

Figure 10-20-2



The wedges must extend through the holes in the attachment mounting frame, securely fastening the attachment to the Bob-Tach [Figure 10-20-2].

NOTE: If the wedge does not contact the lower edge of the hole, the attachment will be loose and can come off the Bob-Tach.

Inspect the mounting frame on the attachment. (See the machine's Operation and Maintenance Manual for inspecting the Bob-Tach). Replace any parts that are damaged, bent or missing. Keep all fasteners tight. Look for cracked welds. Contact your Bobcat dealer for repair or replacement parts.

Lubricate the wedges. (See the machine's Operation & Maintenance Manual for the correct procedure.)

Dealer Copy -- Not for Resale

DAILY INSPECTION (CONT'D)

Bob-Tach (Cont'd)

Power Bob-Tach

! WARNING

AVOID INJURY OR DEATH

The Bob-Tach wedges must extend through the holes in the attachment mounting frame. Levers must be fully down and locked. Failure to secure wedges can allow attachment to come off.

W-2715-0208

Figure 10-20-3

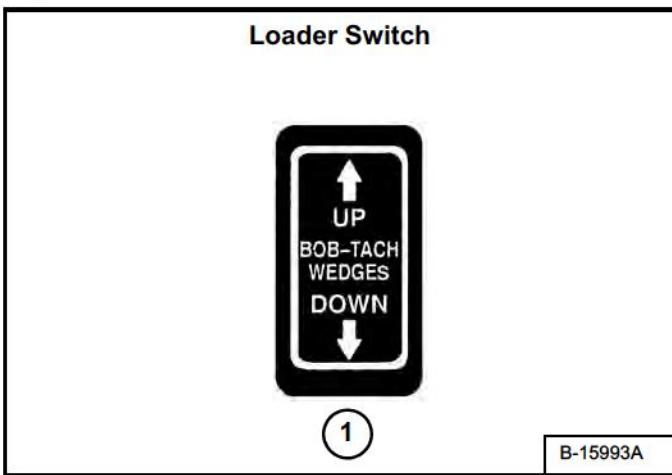


Figure 10-20-4

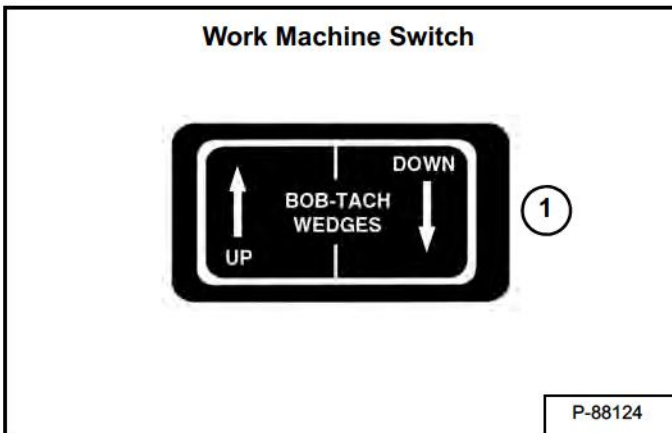
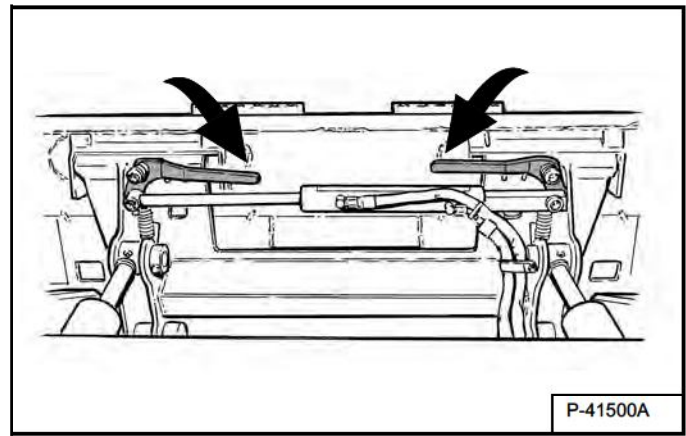
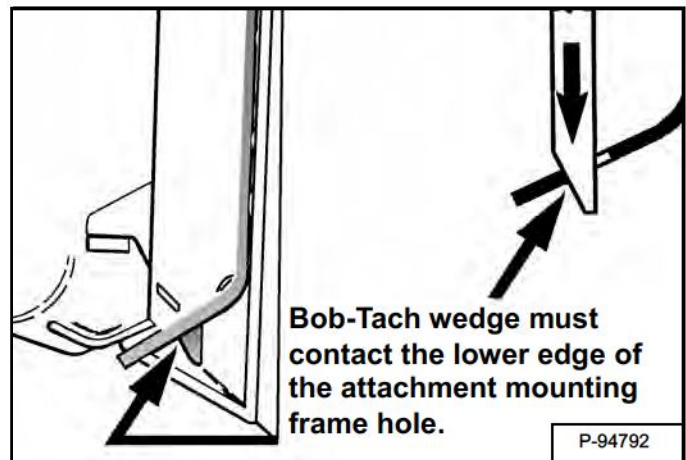


Figure 10-20-5



Push (Item 1) [Figure 10-20-3] or [Figure 10-20-4] and hold the BOB-TACH "WEDGES DOWN" switch until the levers are fully engaged in the locked position [Figure 10-20-5] (wedges fully extended through the attachment mounting frame holes).

Figure 10-20-6



The wedges must extend through the holes in the attachment mounting frame, securely fastening the attachment to the Bob-Tach [Figure 10-20-6].

NOTE: If the wedge does not contact the lower edge of the hole, the attachment will be loose and can come off the Bob-Tach.

Inspect the mounting frame on the attachment. (See the machine's Operation & Maintenance Manual for inspecting the Bob-Tach). Replace any parts that are damaged, bent or missing. Keep all fasteners tight. Look for cracked welds. Contact your Bobcat dealer for repair or replacement parts.

Lubricate the wedges. (See the machine's Operation & Maintenance Manual for the correct procedure.)



Suggest:

If the above button click is invalid.

Please download this document

first, and then click the above link

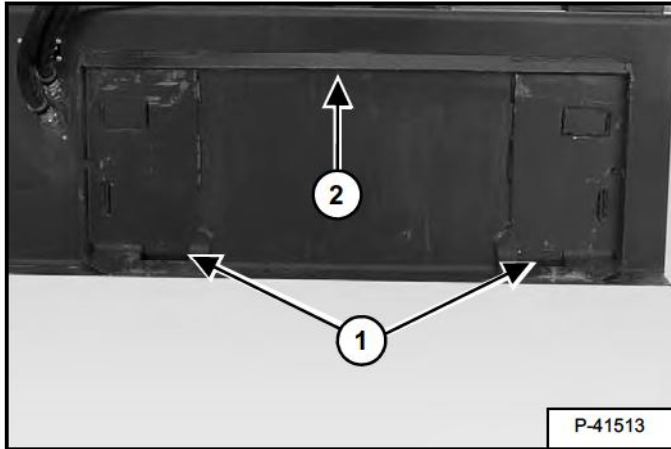
to download the complete manual.

Thank you so much for reading

INSPECTION (CONT'D)

Trencher Mount Inspection

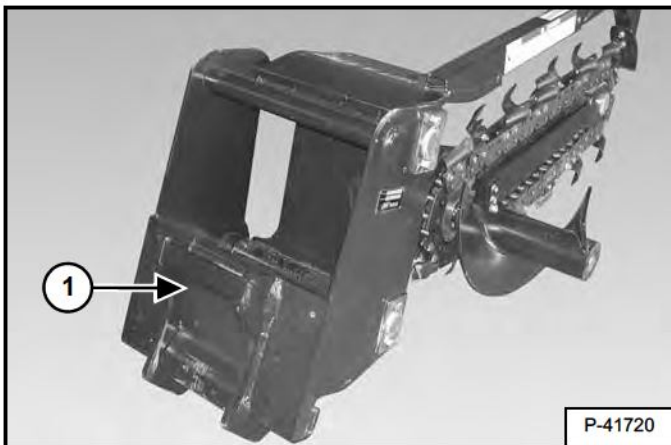
Figure 10-20-7



Inspect the Bob-Tach wedge mounts (Item 1), mounting flange (Item 2) and all welds on the trencher for wear and damage each time the trencher is removed from the loader. [Figure 10-20-7].

X-Change Mount Inspection

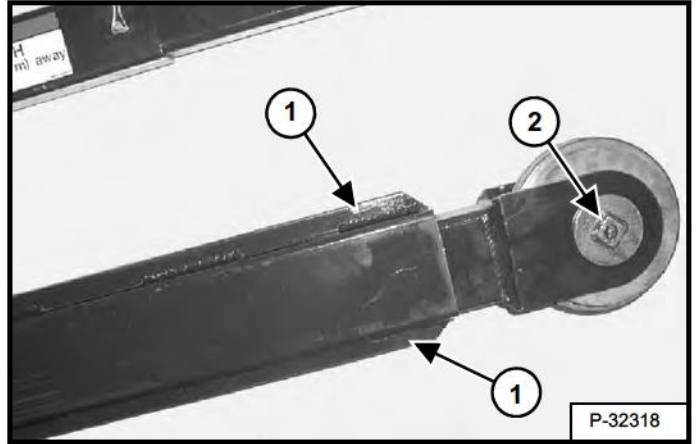
Figure 10-20-8



Inspect the X-Change mount (Item 1) [Figure 10-20-8] and all welds for wear or damage each time the trencher is removed from the excavator.

Chain Guide Inspection

Figure 10-20-9



Inspect the top and bottom chain guide (Item 1) [Figure 10-20-9] for wear and damage.

NOTE: The digging chain is removed for photo clarity.

LUBRICATION

Daily Lubrication

Add grease daily to the idler wheels (Item 2) [Figure 10-20-9] on the LT313 and LT414 trenchers.

Dealer Copy -- Not for Resale

<https://www.ebooklibonline.com>

Hello dear friend!

Thank you very much for reading.

Enter the link into your browser.

The full manual is available for immediate download.

<https://www.ebooklibonline.com>